



US00D620965S

(12) **United States Design Patent**
Takagi

(10) **Patent No.:** **US D620,965 S**

(45) **Date of Patent:** **** Aug. 3, 2010**

(54) **VIDEO CAMERA**

(75) Inventor: **Noriaki Takagi**, Tokyo (JP)

(73) Assignee: **Sony Corporation**, Tokyo (JP)

(**) Term: **14 Years**

(21) Appl. No.: **29/309,578**

(22) Filed: **Sep. 5, 2008**

(30) **Foreign Application Priority Data**

Mar. 7, 2008	(JP)	D2008-005721
Mar. 31, 2008	(CN)	2008 3 0002598
Mar. 31, 2008	(JP)	D2008-008239
Mar. 31, 2008	(JP)	D2008-008240
Mar. 31, 2008	(JP)	D2008-008241
Mar. 31, 2008	(JP)	D2008-008242
Mar. 31, 2008	(JP)	D2008-008243
Mar. 31, 2008	(JP)	D2008-008244
Mar. 31, 2008	(JP)	D2008-008245

(51) **LOC (9) Cl.** **16-05**

(52) **U.S. Cl.** **D16/219**

(58) **Field of Classification Search** D16/200-205;
348/373-376; 358/906; 396/535-541
See application file for complete search history.

(56) **References Cited**

U.S. PATENT DOCUMENTS

D396,051 S	*	7/1998	Mori	D16/202
D463,469 S		9/2002	Kawase		
D484,164 S	*	12/2003	Ogura	D16/219
D486,510 S	*	2/2004	Ogura	D16/219

D489,746 S	*	5/2004	Ogura	D16/219
D524,841 S		7/2006	Ikenaga		
D534,195 S		12/2006	Ikenaga		
D557,720 S		12/2007	Shimizu		
D559,289 S		1/2008	Shimizu		
D559,878 S		1/2008	Sadatsuki		
D566,152 S		4/2008	Shimizu		
D566,743 S		4/2008	Shimizu		

* cited by examiner

Primary Examiner—Adir Aronovich

(74) *Attorney, Agent, or Firm*—Rader, Fishman & Grauer PLLC

(57) **CLAIM**

The ornamental design for a video camera, as shown and described.

DESCRIPTION

FIG. 1 is a perspective view of a first embodiment of a video camera showing my new design;

FIG. 2 is a front elevational view thereof;

FIG. 3 is a perspective view of a second embodiment of a video camera showing my new design;

FIG. 4 is a front elevational view thereof;

FIG. 5 is a perspective view of a third embodiment of a video camera showing my new design; and,

FIG. 6 is a front elevational thereof.

The portions of the video camera in broken lines are shown for illustrative purposes only and form no part of the claimed design.

1 Claim, 6 Drawing Sheets

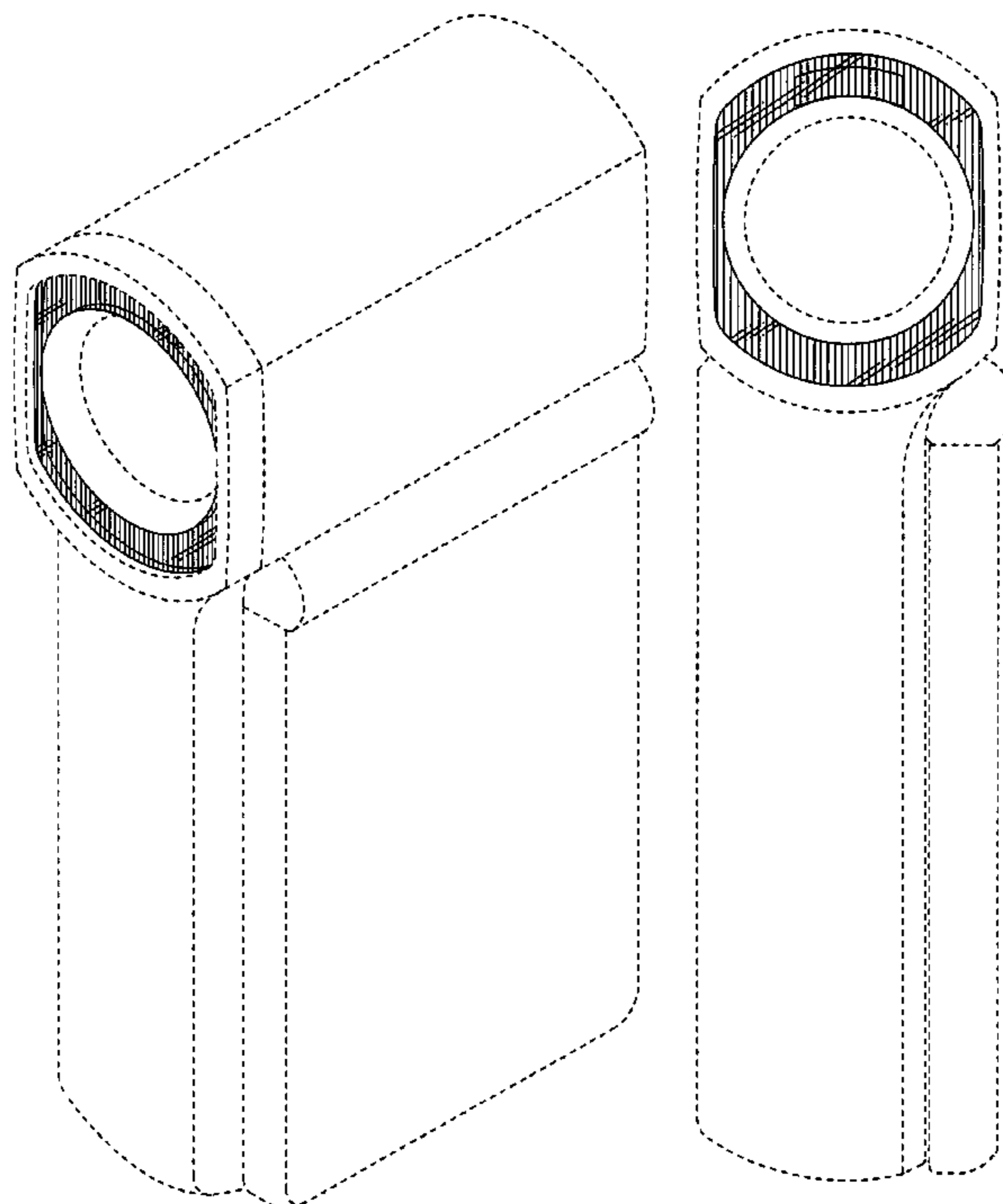


FIG.1

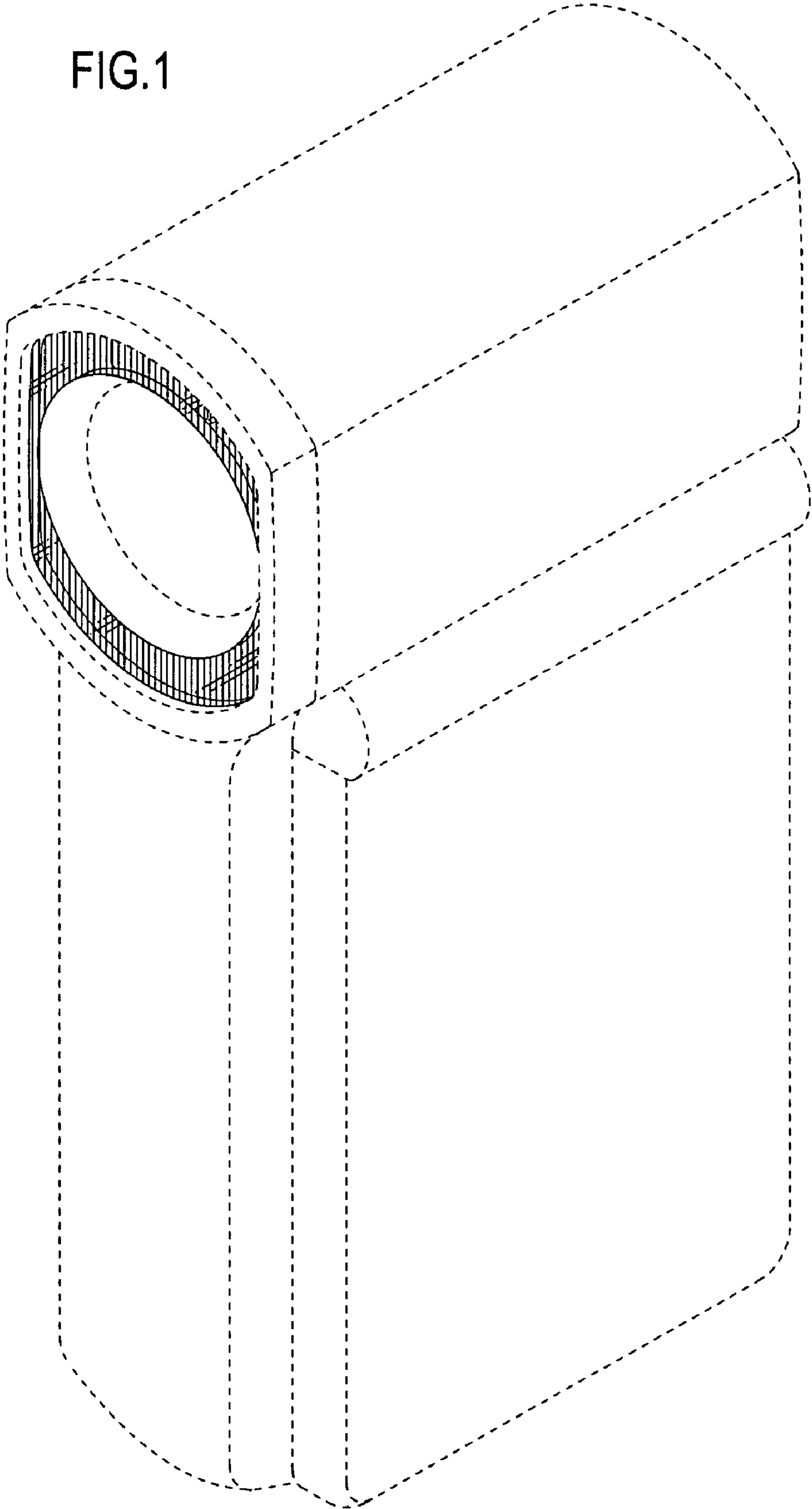


FIG.2

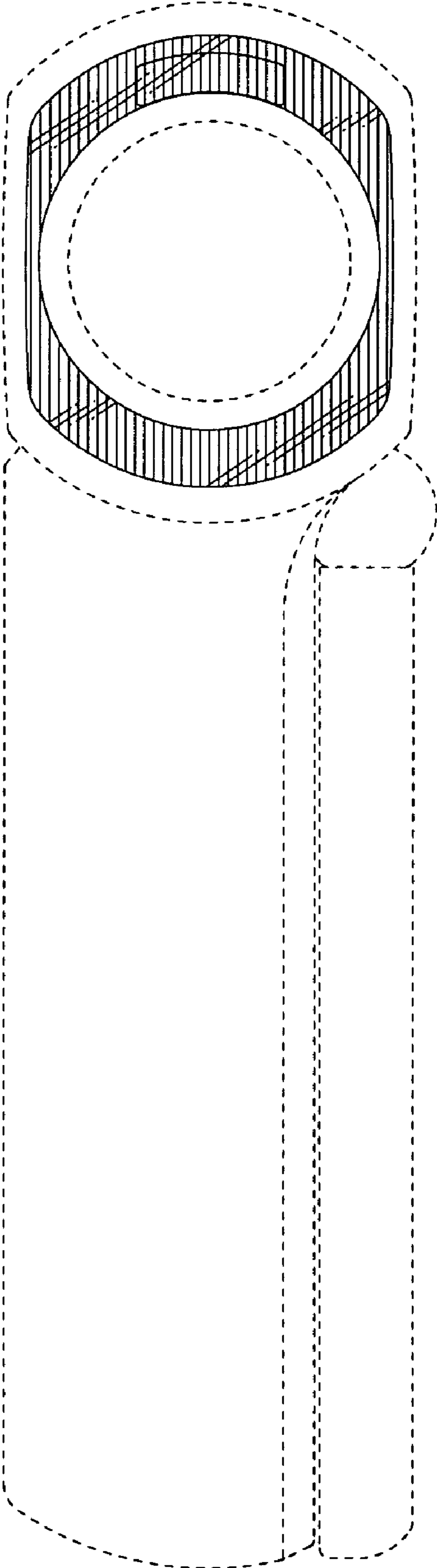


FIG.3

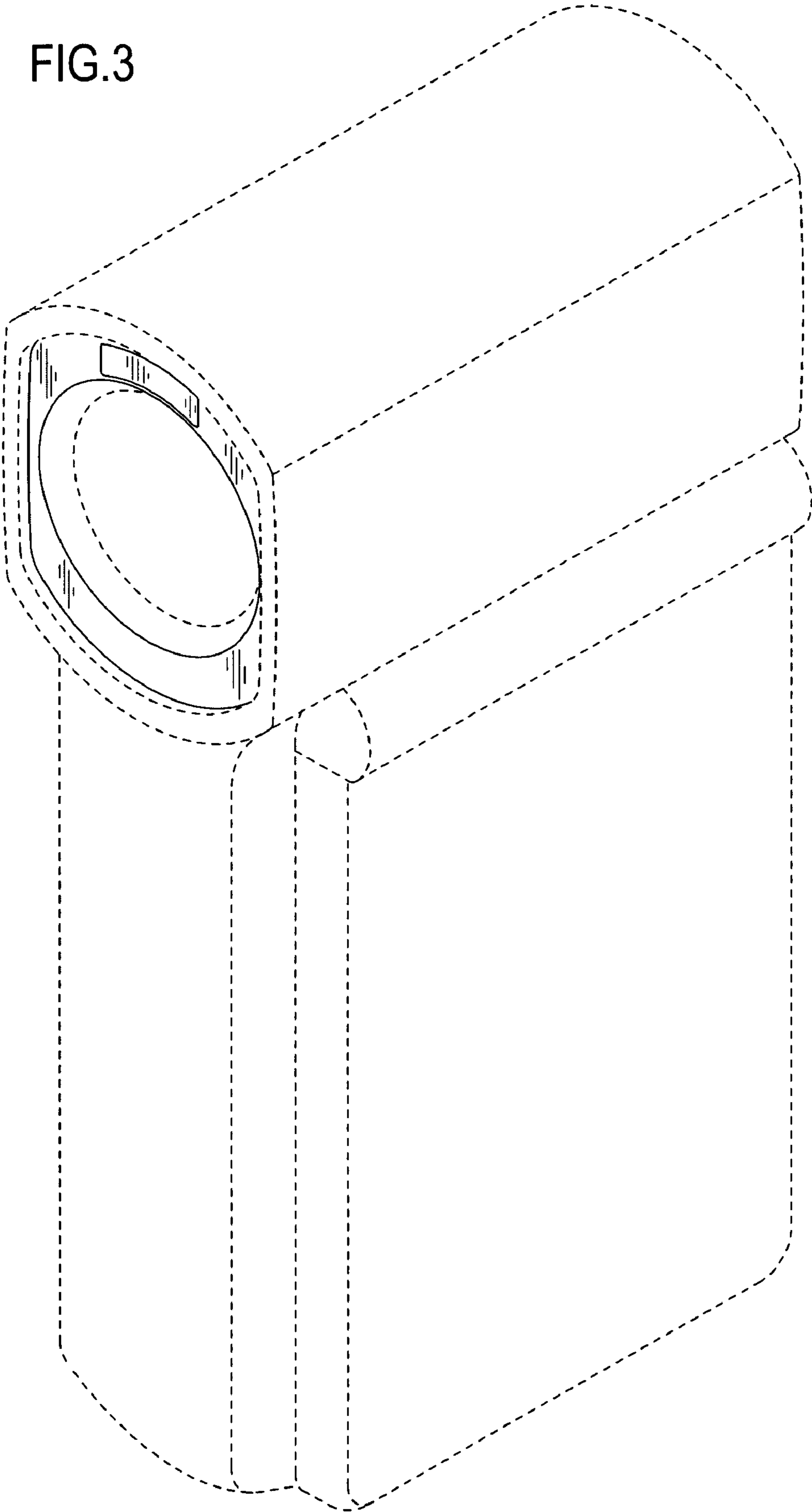


FIG.4

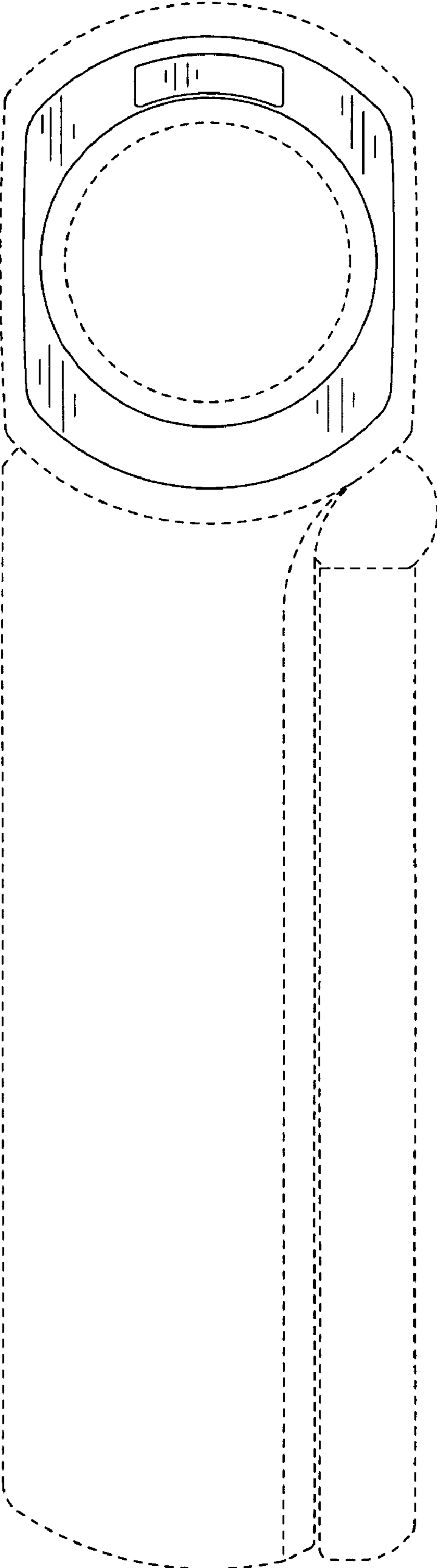


FIG.5

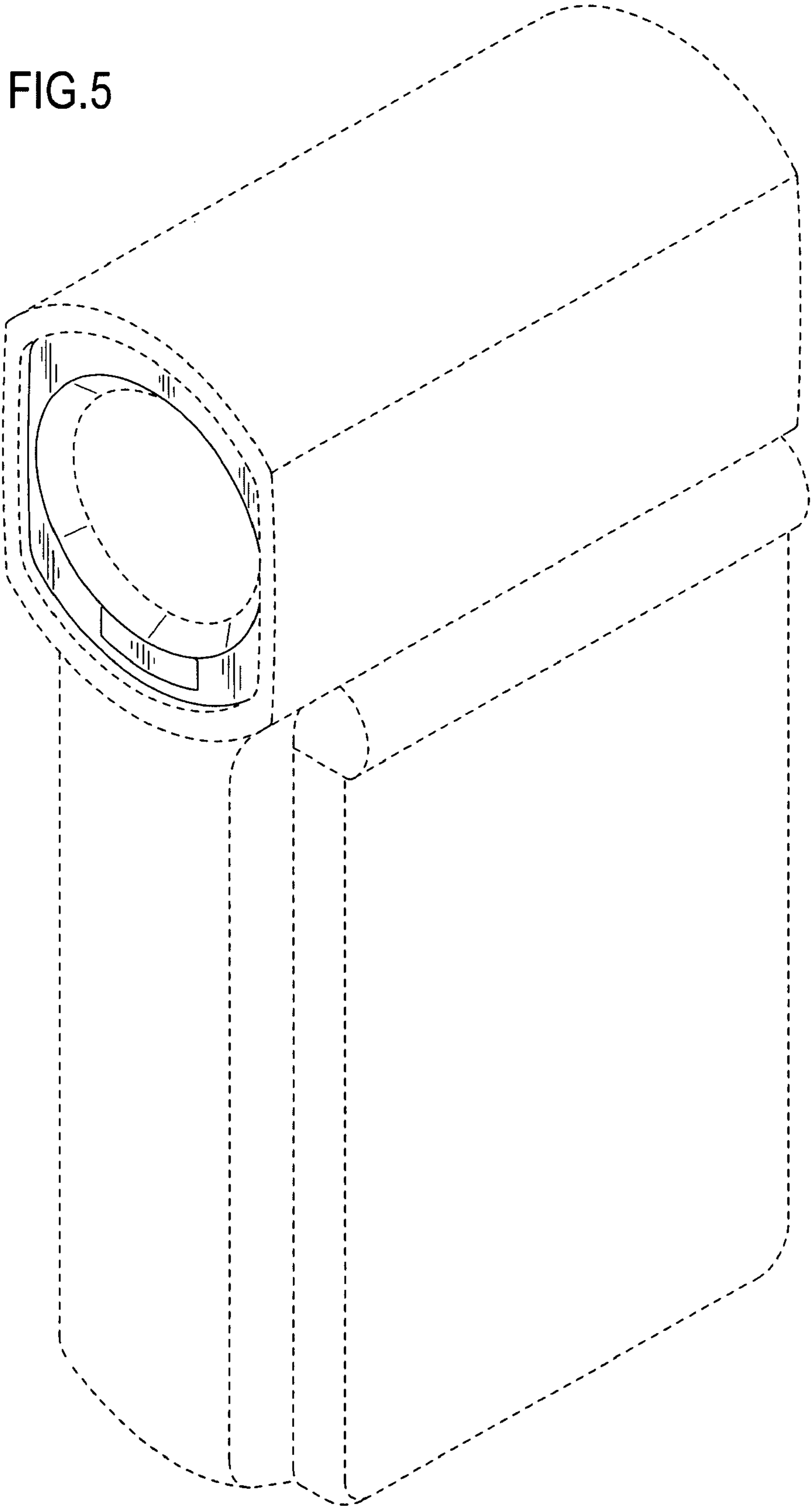


FIG.6

