

US00D620964S

(12) **United States Design Patent**
Yuyama et al.

(10) **Patent No.:** **US D620,964 S**

(45) **Date of Patent:** **** Aug. 3, 2010**

(54) **CHUTE OF A TABLET FILLING MACHINE**

(75) Inventors: **Shoji Yuyama**, Toyonaka (JP); **Naoki Koike**, Toyonaka (JP)

(73) Assignee: **Yuyama Mfg. Co., Ltd.** (JP)

(**) Term: **14 Years**

(21) Appl. No.: **29/332,772**

(22) Filed: **Feb. 25, 2009**

(51) **LOC (9) Cl.** **15-99**

(52) **U.S. Cl.** **D15/145**

(58) **Field of Classification Search** D6/445;
D10/97; D15/145, 146, 199; D20/4; 53/131.4,
53/167, 202, 279, 284.5, 370.7, 370.9, 381.1,
53/426, 550, 563, 565; 493/184

See application file for complete search history.

(56) **References Cited**

U.S. PATENT DOCUMENTS

D385,893 S *	11/1997	Yamamoto	D15/145
D426,563 S *	6/2000	Yang	D15/145
D454,313 S *	3/2002	Okamoto et al.	D10/97
D455,777 S *	4/2002	Beckstrom et al.	D15/145
D555,721 S *	11/2007	Phillips et al.	D18/53
2009/0090088 A1 *	4/2009	Nemkov et al.	53/477

* cited by examiner

Primary Examiner—Sandra Snapp

Assistant Examiner—Patricia Palasik

(74) *Attorney, Agent, or Firm*—Studebaker & Brackett PC;
Donald R. Studebaker

(57) **CLAIM**

The ornamental design for a chute of a tablet filling machine, as shown and described.

DESCRIPTION

FIG. 1 is a perspective view of a chute of a tablet filling machine;

FIG. 2 is a front view of the chute of a tablet filling machine;

FIG. 3 is a right side view of the chute of a tablet filling machine;

FIG. 4 is a left side view of the chute of a tablet filling machine;

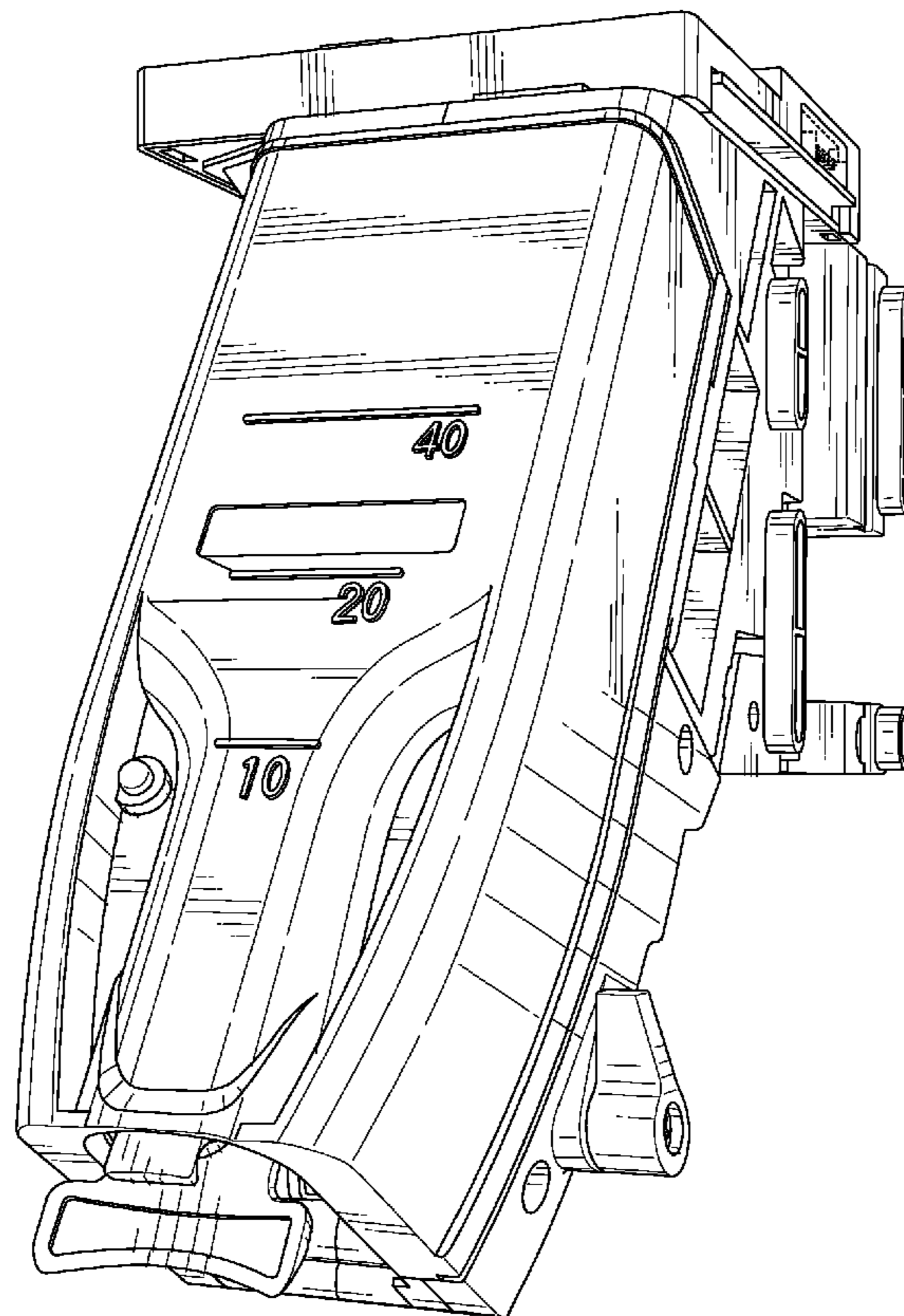
FIG. 5 is a rear view of the chute of a tablet filling machine;

FIG. 6 is a bottom view of the chute of a tablet filling machine; and,

FIG. 7 is a top plan view of the chute of a tablet filling machine.

The broken lines set forth in FIGS. 1 and 2–7 are for the purpose of illustrating unclaimed portions of the design and form no part of the claimed design.

1 Claim, 4 Drawing Sheets



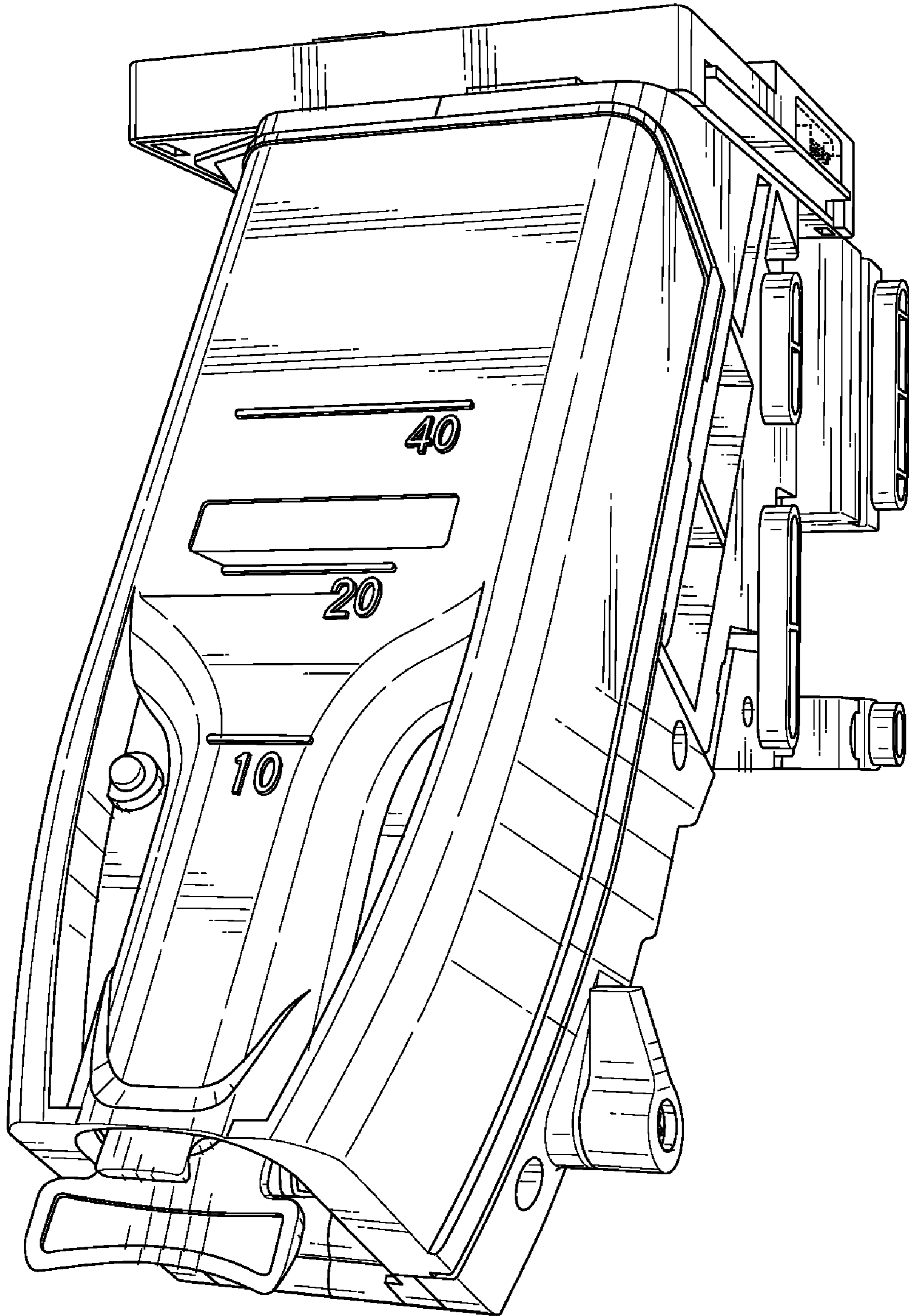


FIG.1

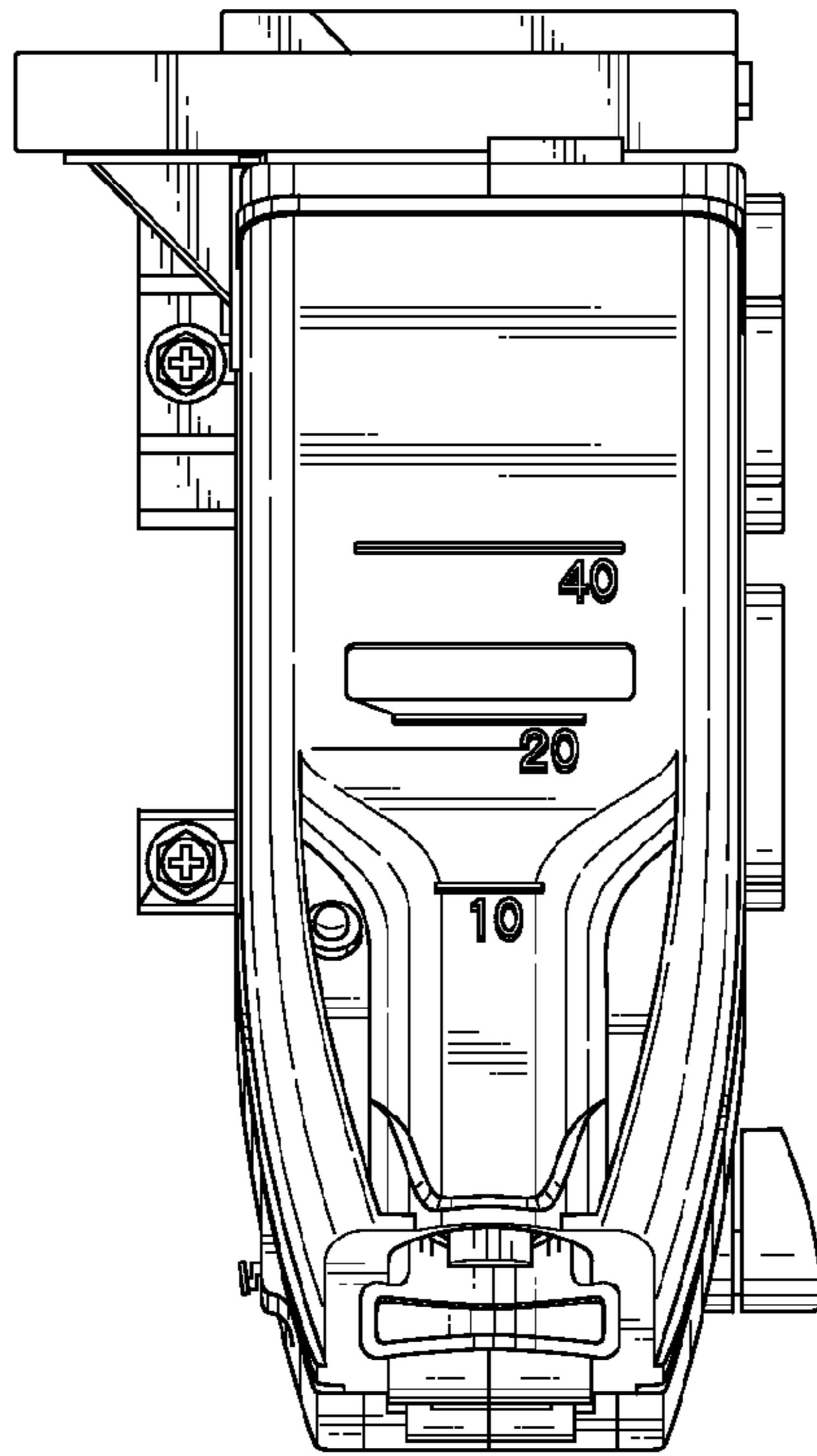


FIG. 2

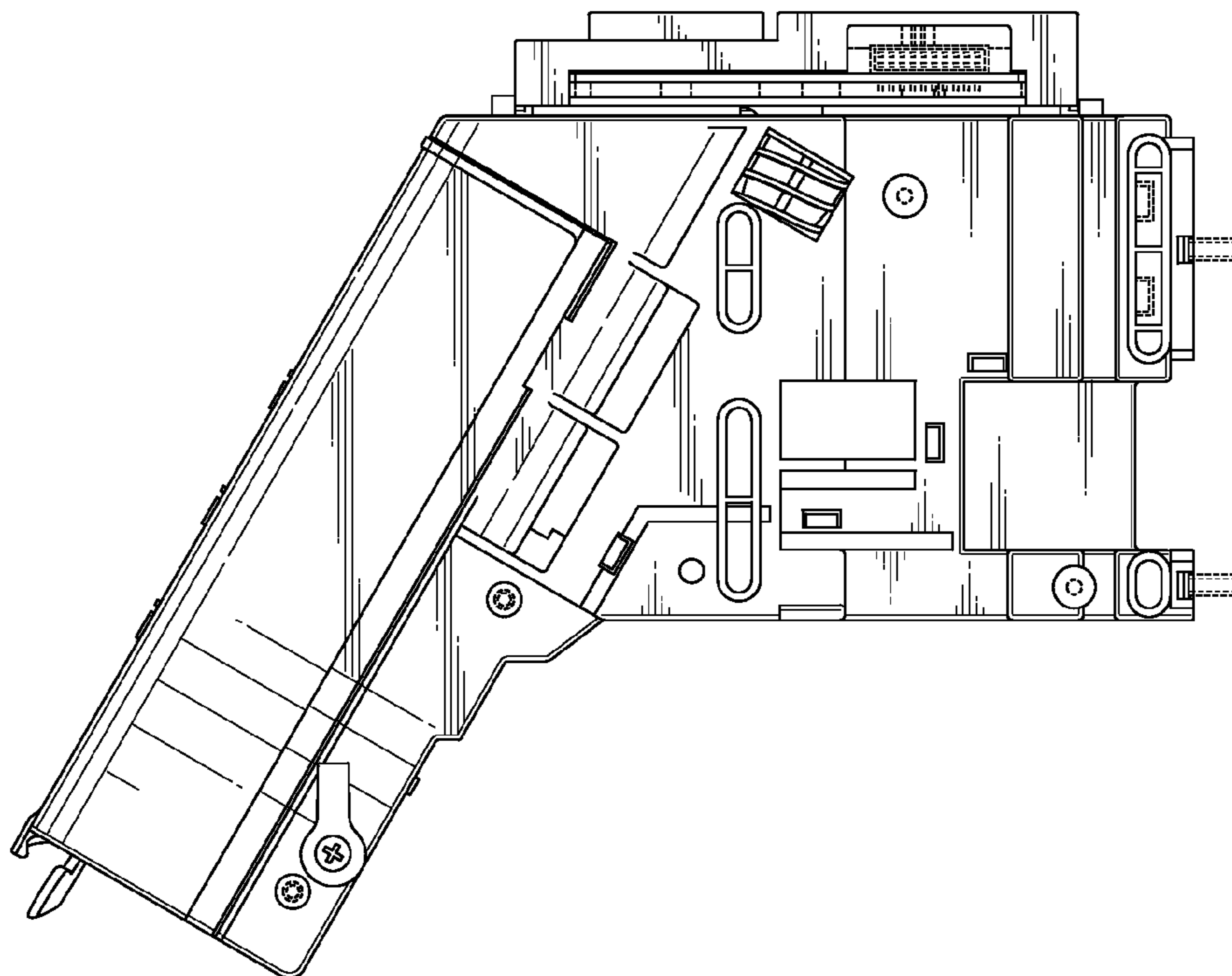


FIG. 3

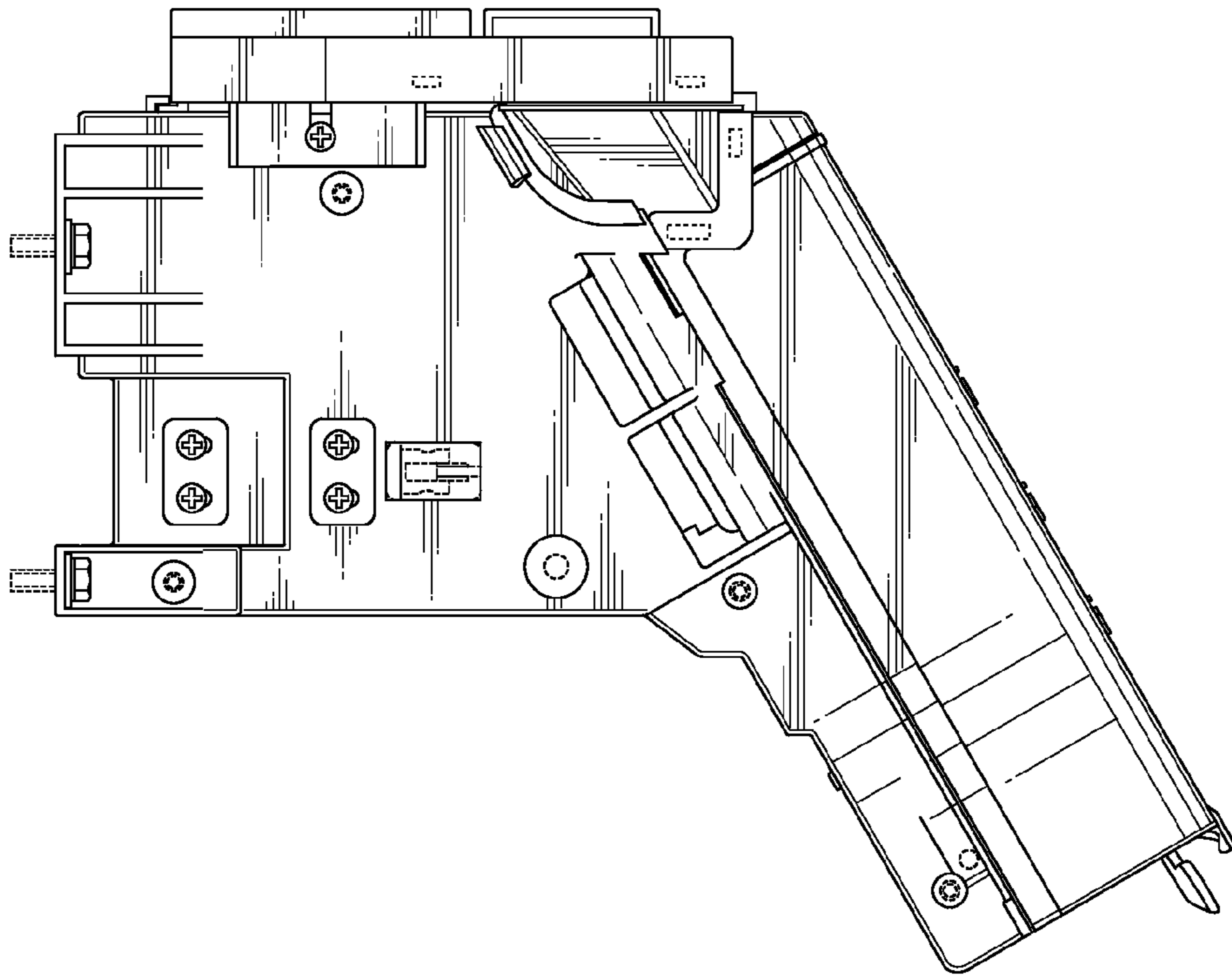


FIG. 4

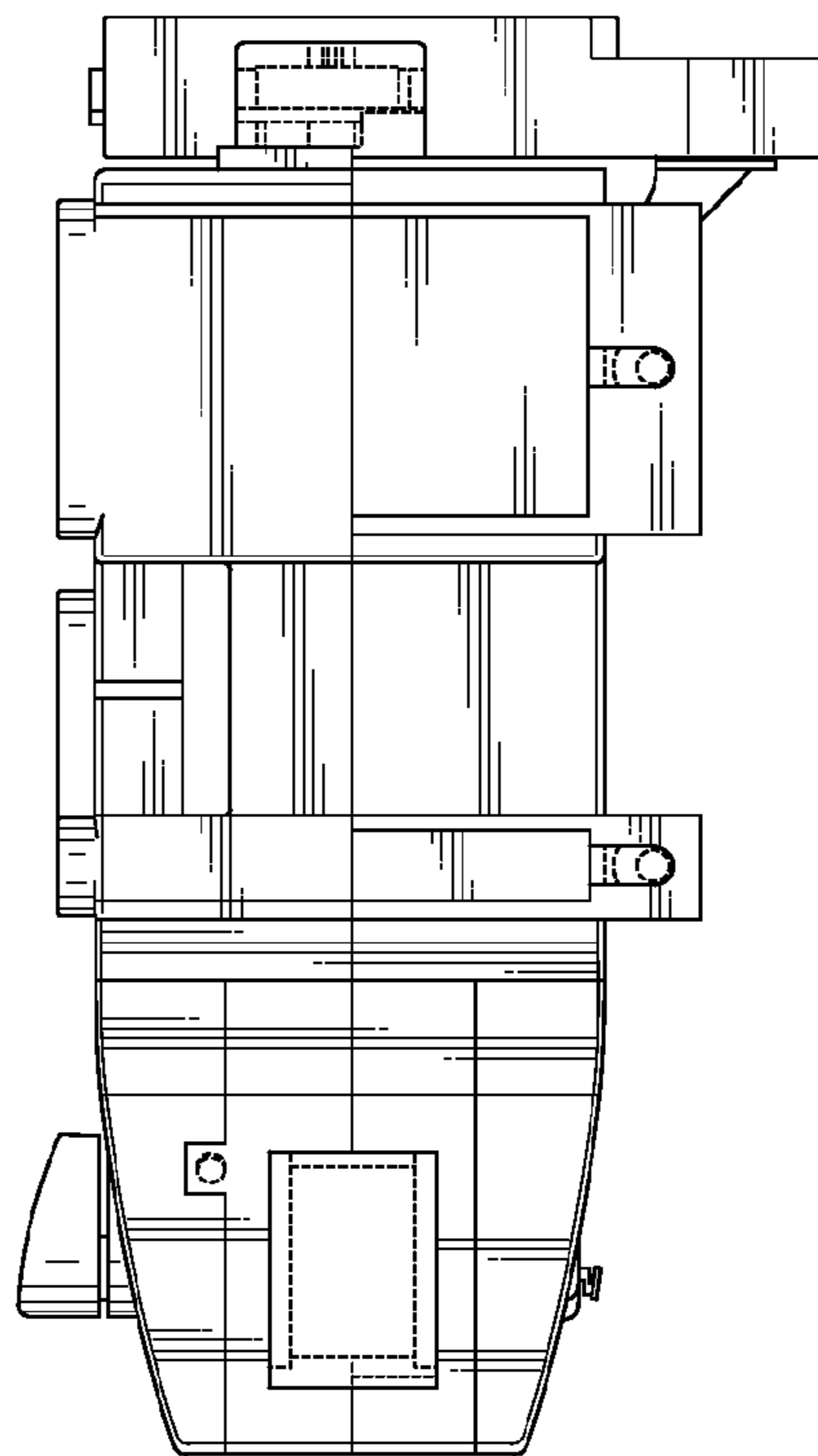


FIG. 5

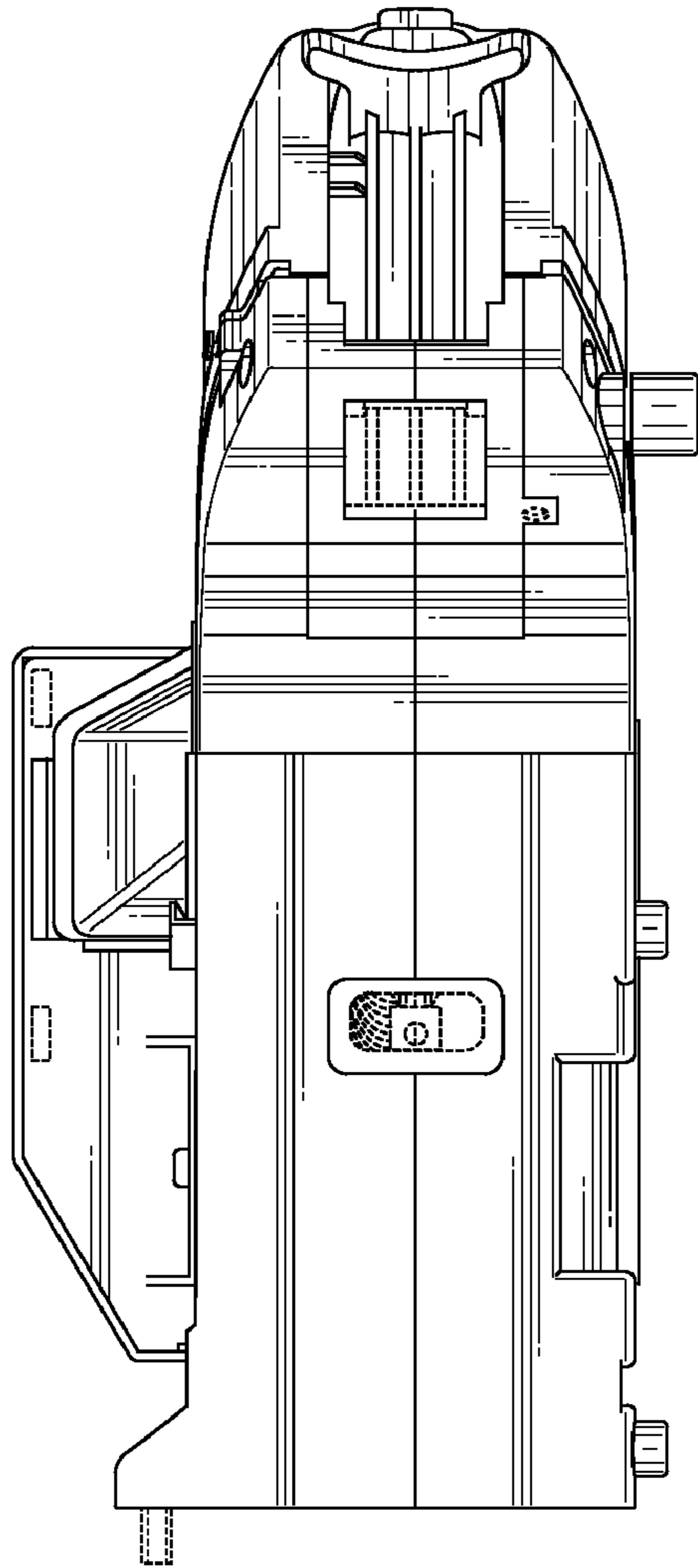


FIG. 6

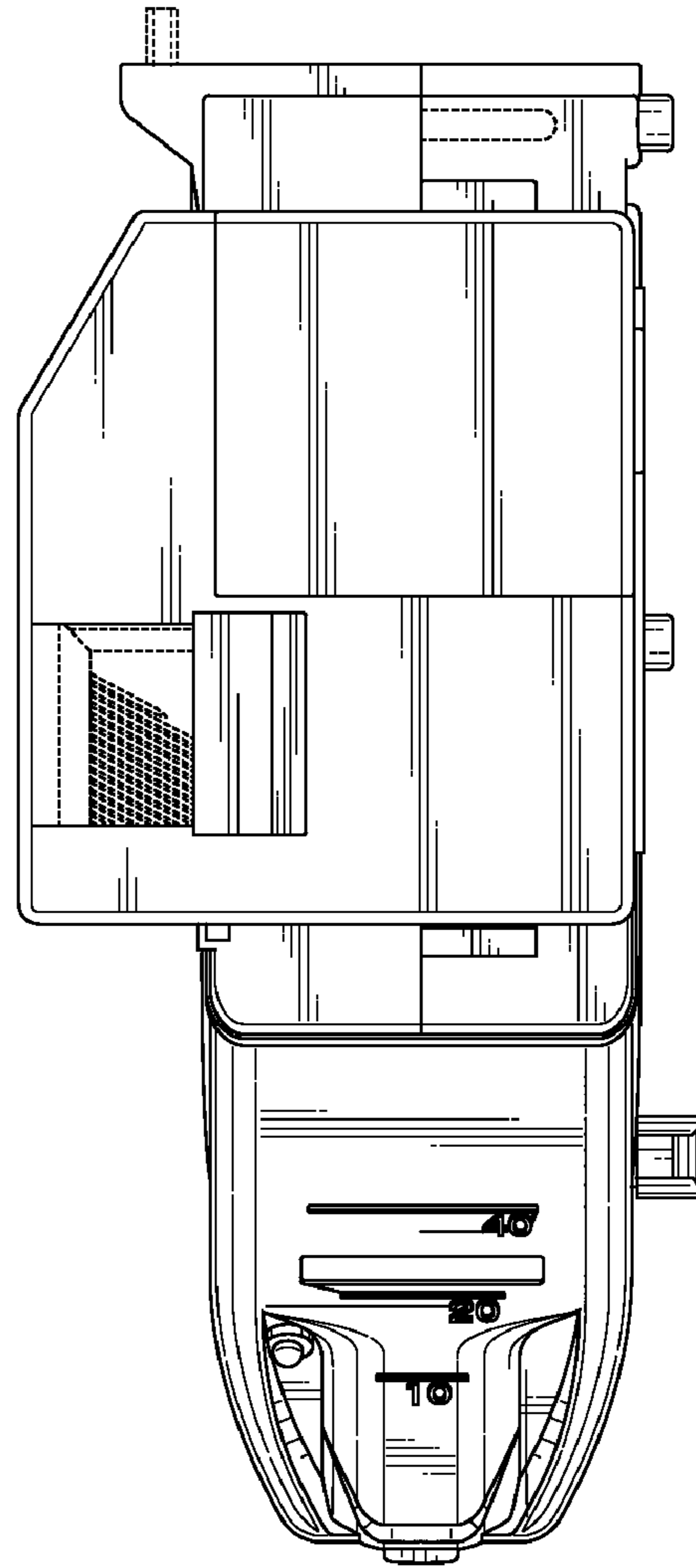


FIG. 7