



US00D620961S

(12) **United States Design Patent**  
**Iversen**

(10) **Patent No.:** **US D620,961 S**

(45) **Date of Patent:** **\*\* Aug. 3, 2010**

(54) **COMPACT LINEAR ACTUATOR**

(75) Inventor: **Torben Iversen**, Nordborg (DK)

(73) Assignee: **Linak A/S**, Nordborg (DK)

(\*\*) Term: **14 Years**

(21) Appl. No.: **29/347,230**

(22) Filed: **Nov. 4, 2009**

(30) **Foreign Application Priority Data**

May 9, 2009 (DK) ..... DA 2009 00069

(51) **LOC (9) Cl.** ..... **15-09**

(52) **U.S. Cl.** ..... **D15/143**

(58) **Field of Classification Search** ..... D13/118;  
D15/1-5, 143, 148, 149, 199; 74/89.15,  
74/90.15, 490.09, 411.5; 297/14, 325, 327;  
310/20, 20.8, 80

See application file for complete search history.

(56) **References Cited**

**U.S. PATENT DOCUMENTS**

D417,457 S \* 12/1999 Asahara ..... D15/7  
D444,795 S \* 7/2001 Wakasugi et al. .... D15/7  
6,400,047 B1 \* 6/2002 Hartrampf et al. .... 310/12.33  
D578,147 S \* 10/2008 Fukano et al. .... D15/143  
D595,753 S \* 7/2009 Tseng ..... D15/143  
2006/0279140 A1 \* 12/2006 Jenny ..... 310/12  
2007/0057579 A1 \* 3/2007 Miyamoto ..... 310/12  
2008/0048514 A1 \* 2/2008 Hoffmann et al. .... 310/78  
2008/0087128 A1 \* 4/2008 Garner ..... 74/490.09

2009/0058581 A1 \* 3/2009 Neff et al. .... 335/228

**FOREIGN PATENT DOCUMENTS**

WO 2007022998 3/2007

**OTHER PUBLICATIONS**

Linak Laiz Actuator Data Sheet, Feb. 1999.

\* cited by examiner

*Primary Examiner*—Sandra Snapp

*Assistant Examiner*—Patricia Palasik

(74) *Attorney, Agent, or Firm*—Dykema Gossett PLLC

(57) **CLAIM**

The ornamental design for a compact linear actuator, as shown and described.

**DESCRIPTION**

FIG. 1 is a perspective front view of a compact linear actuator showing my new and ornamental design,

FIG. 2 is a perspective rear view thereof,

FIG. 3 is an elevational left side view thereof,

FIG. 4 is an elevational rear view thereof,

FIG. 5 is an elevational right side view thereof,

FIG. 6 is an elevational front view thereof,

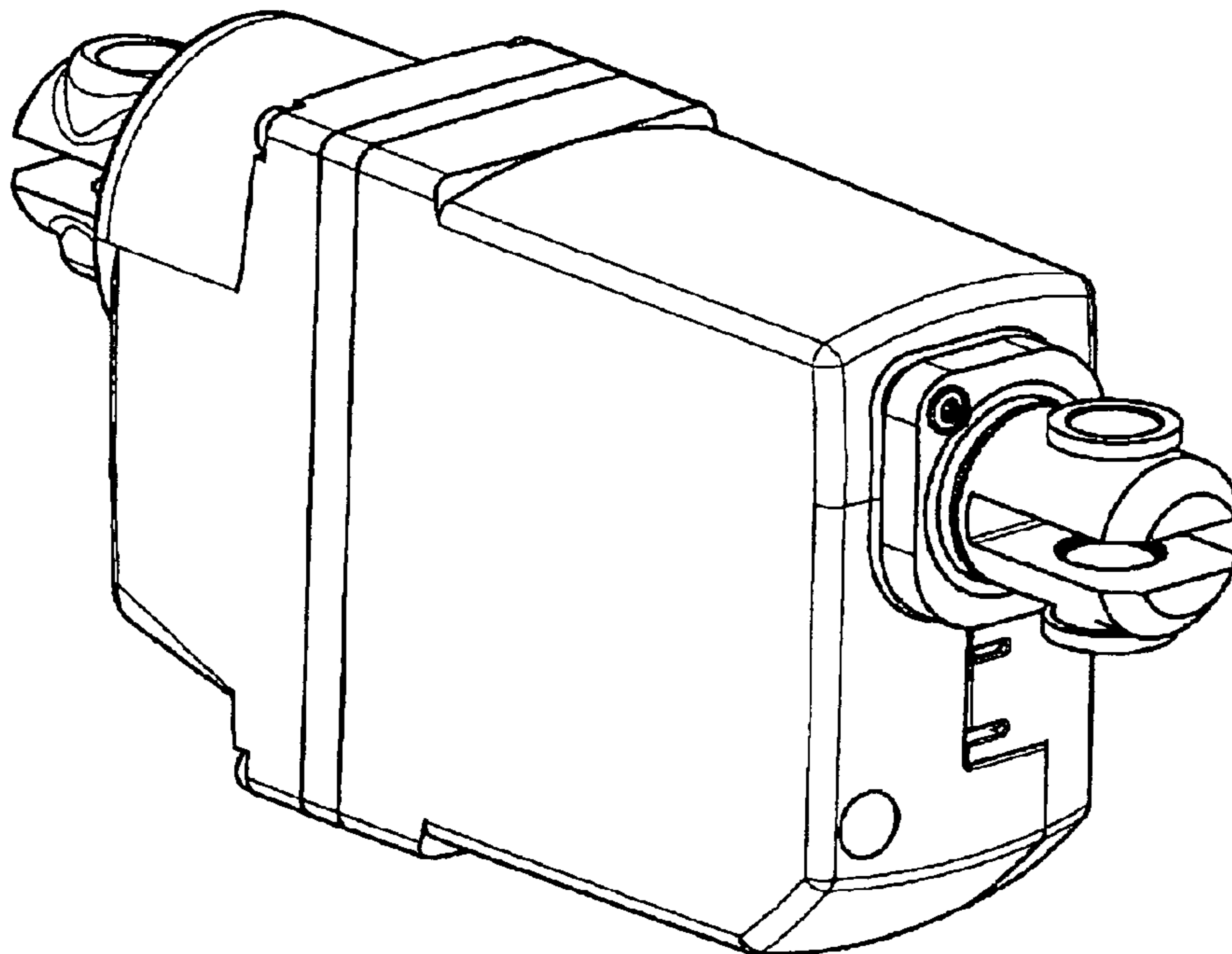
FIG. 7 is a top plan view thereof,

FIG. 8 is a bottom plan view thereof,

FIG. 9 is a perspective front view thereof with the thrust rod in an extended position; and,

FIG. 10 is a perspective rear view thereof with the thrust rod in an extended position.

**1 Claim, 7 Drawing Sheets**



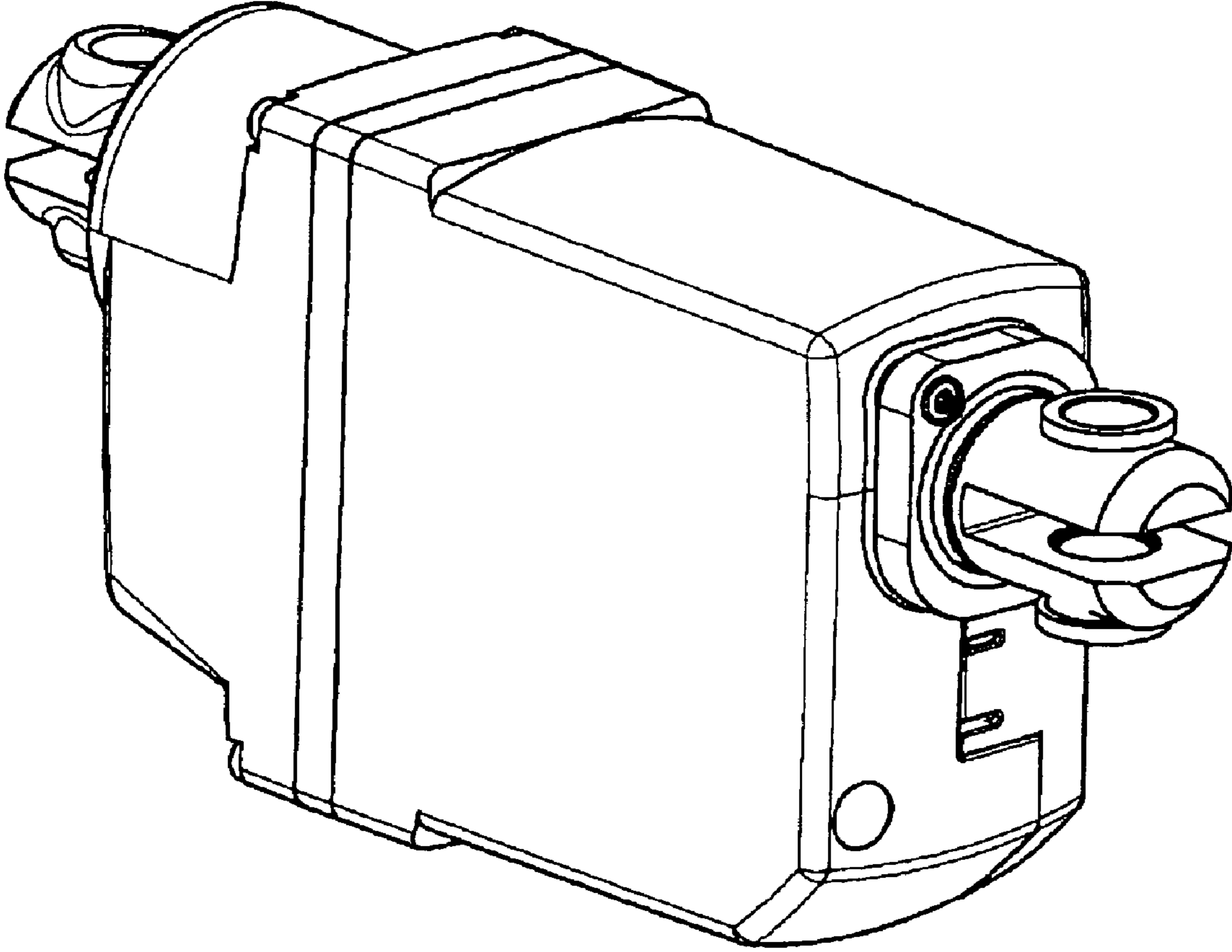


Fig. 1

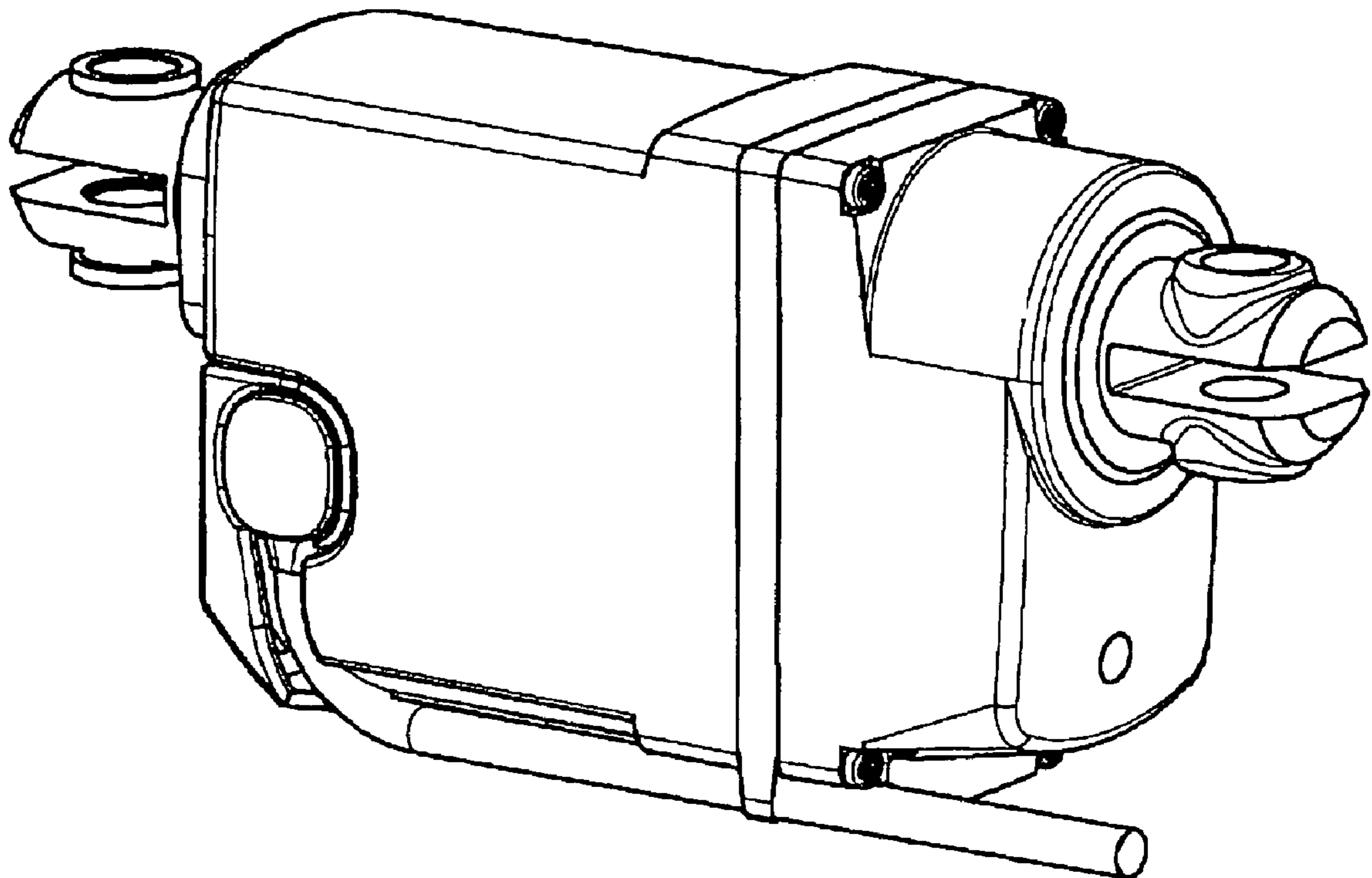


Fig. 2

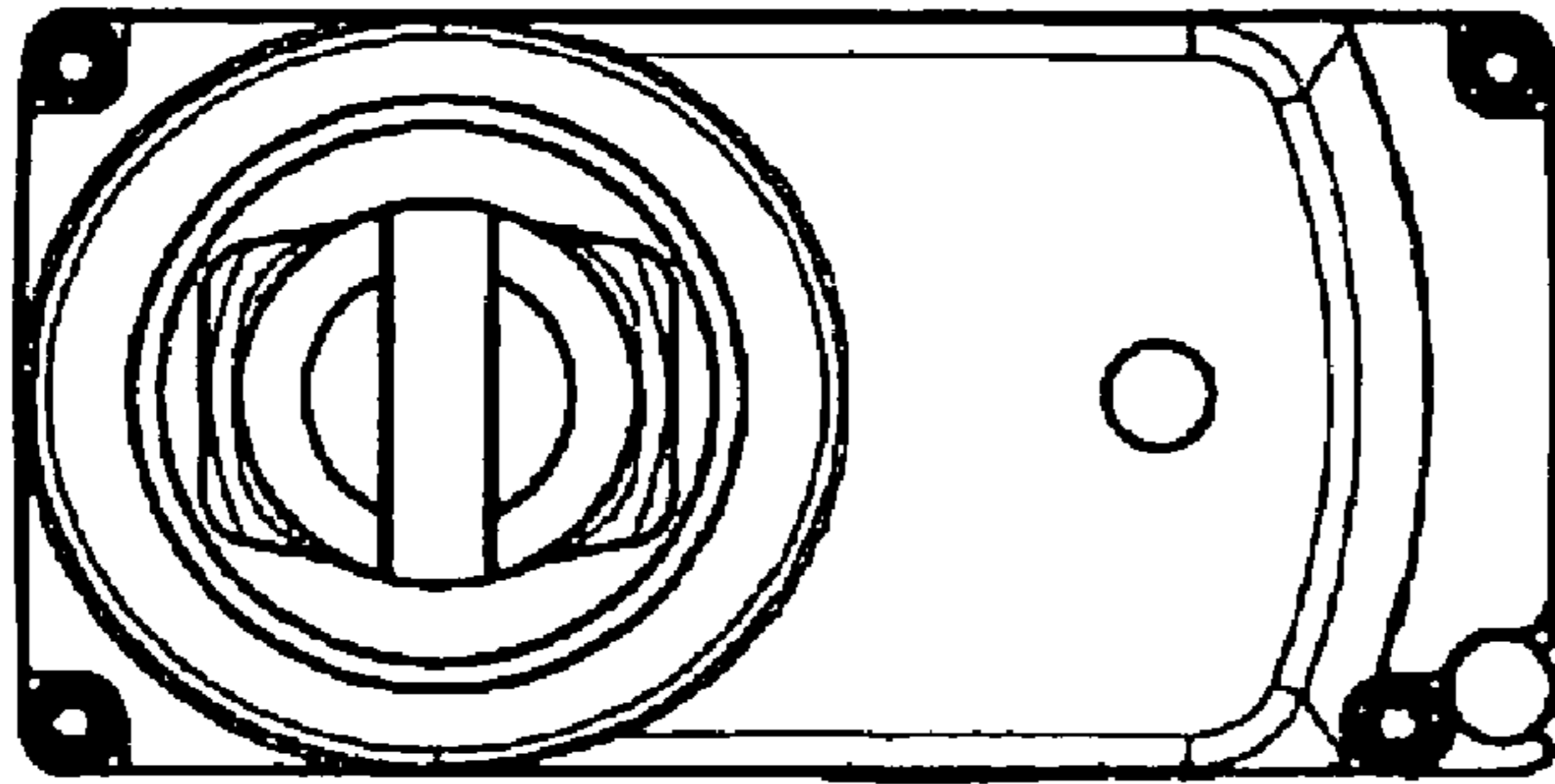


Fig. 4

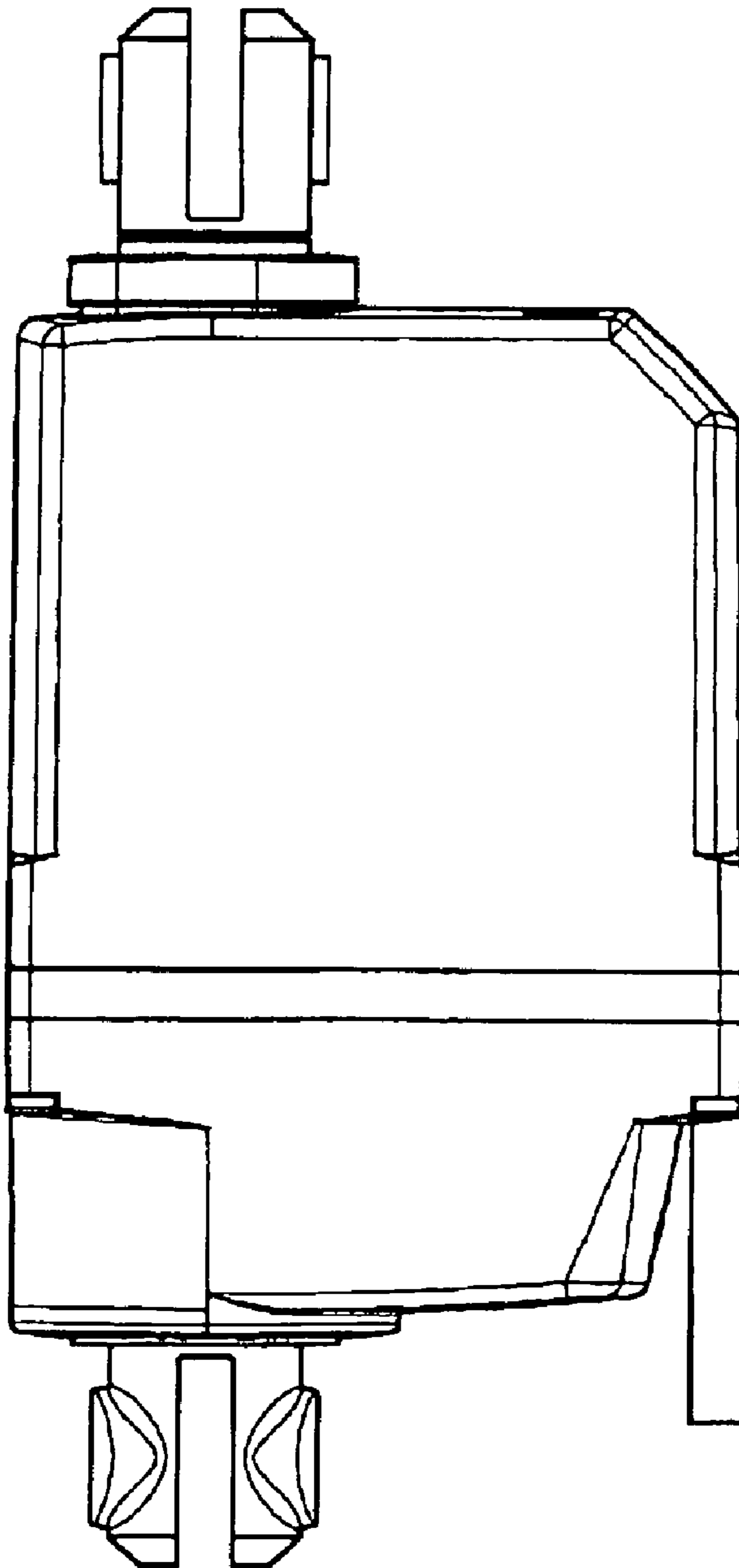


Fig. 3

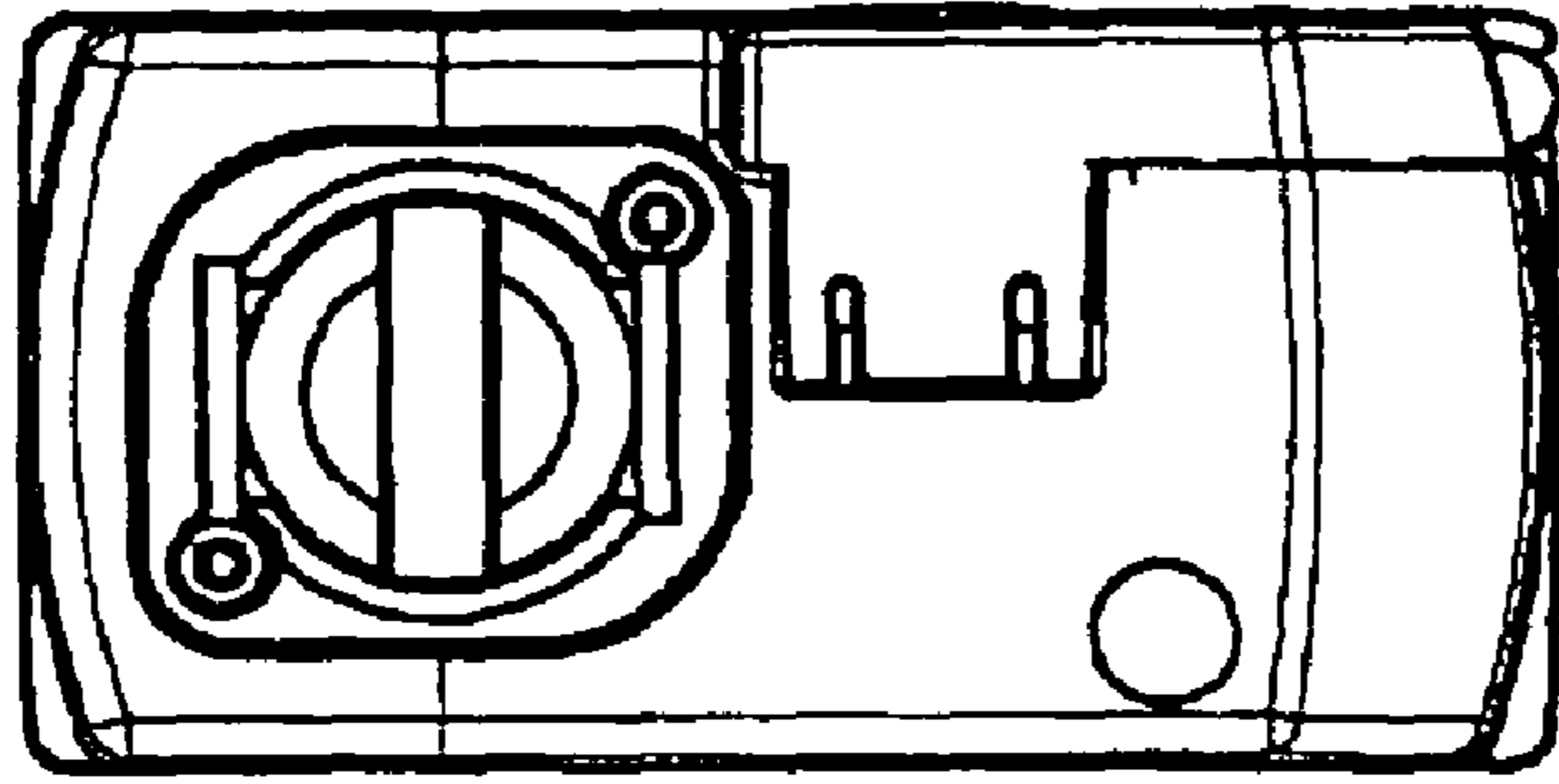


Fig. 6

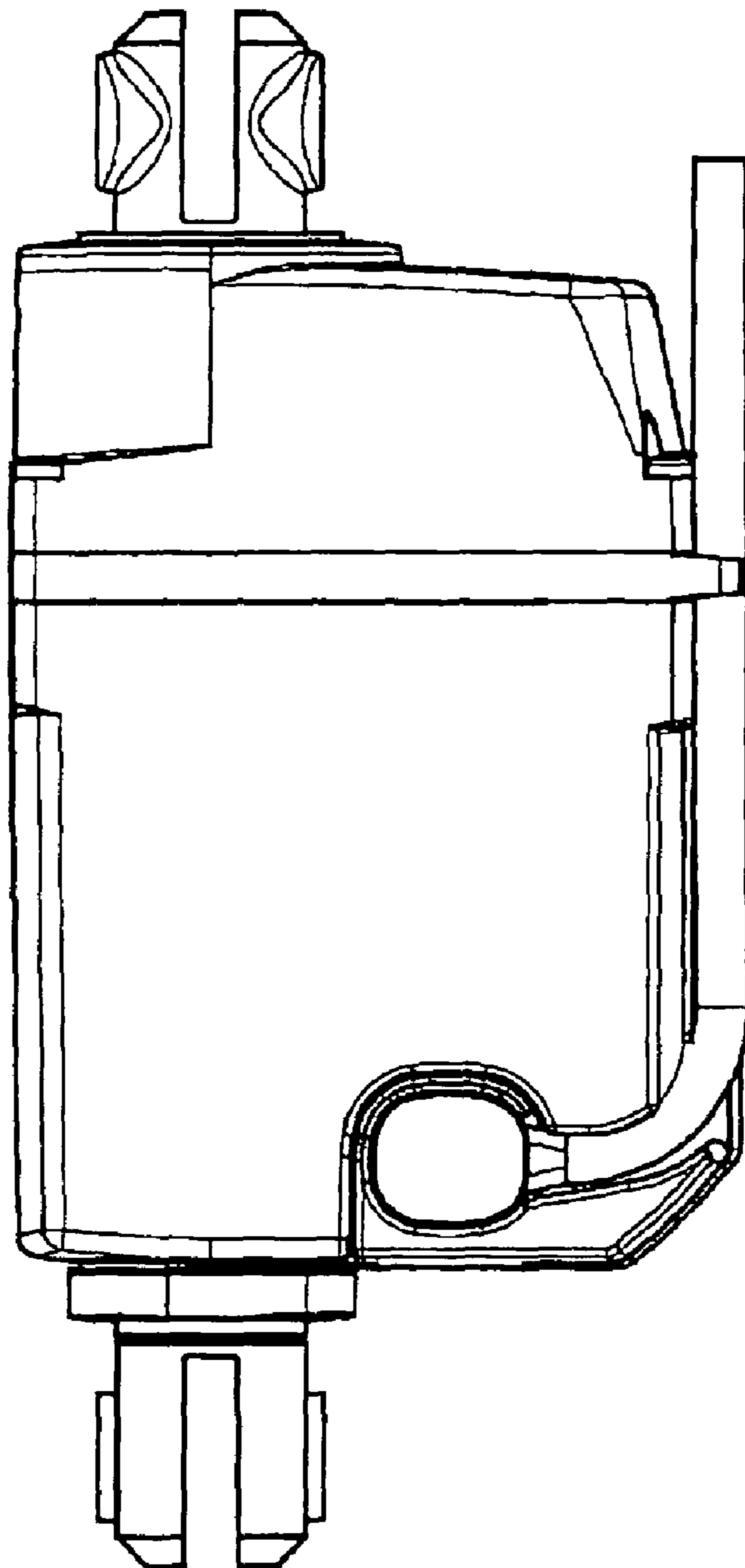


Fig. 5

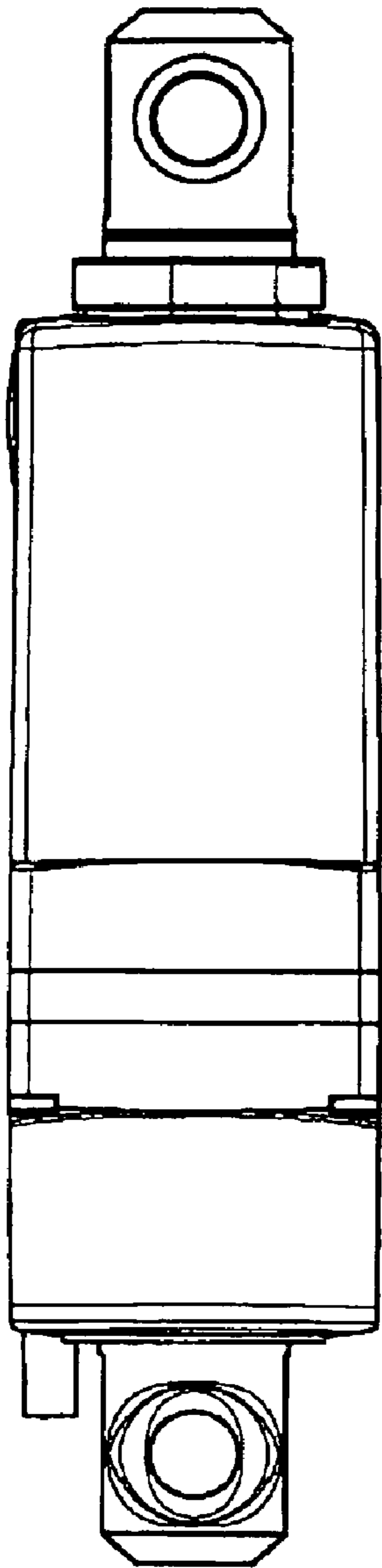


Fig. 7

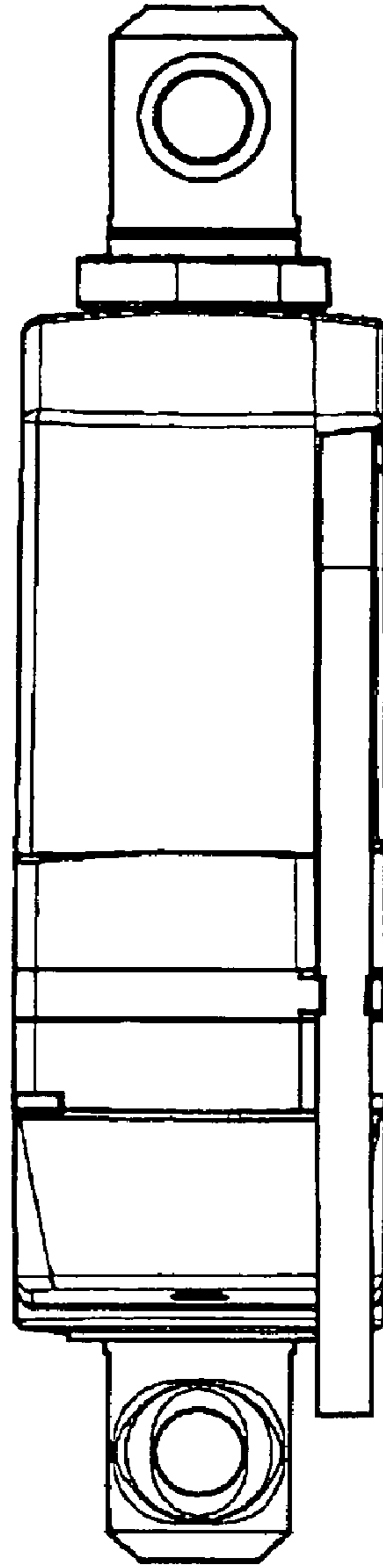


Fig. 8

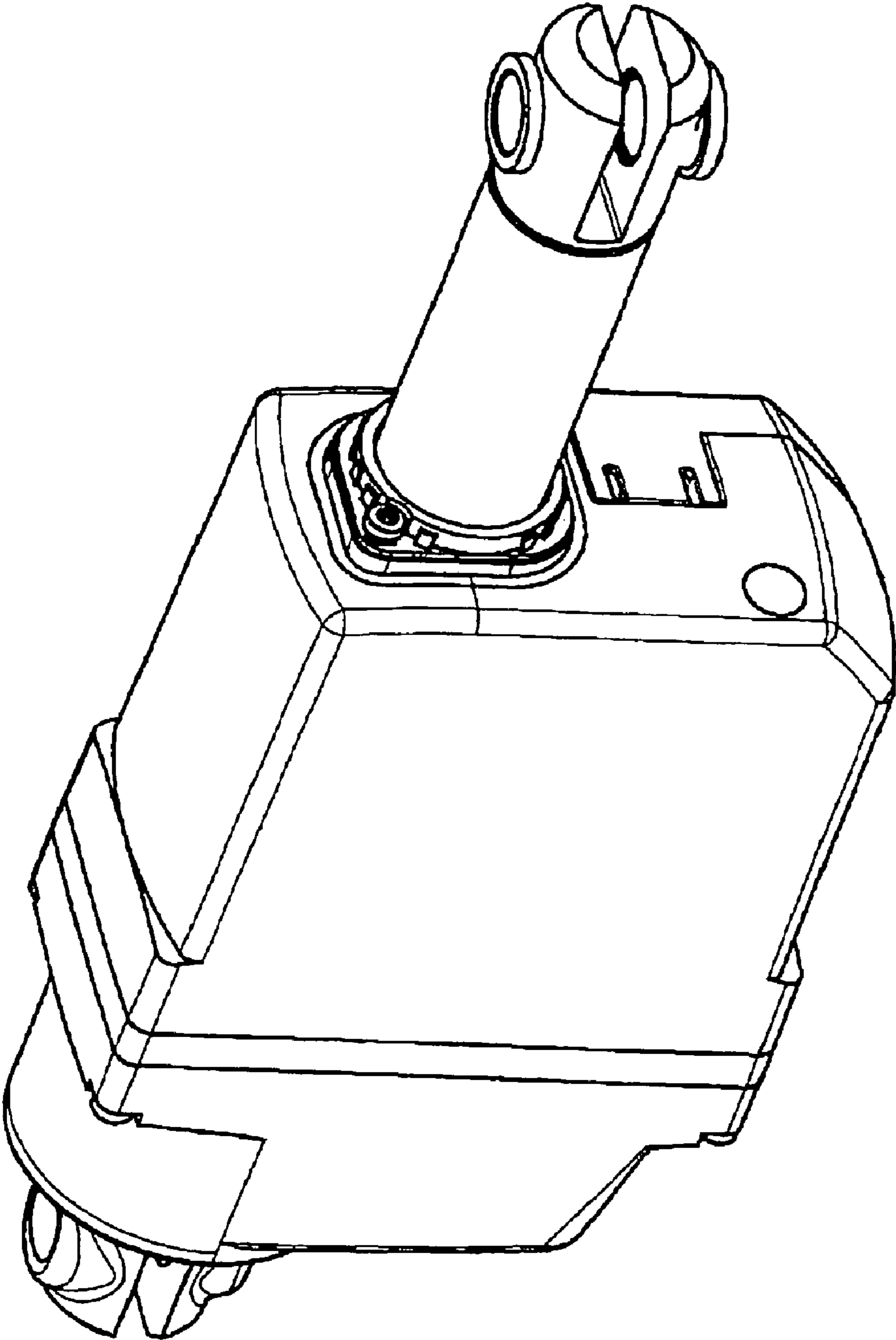


FIG. 9

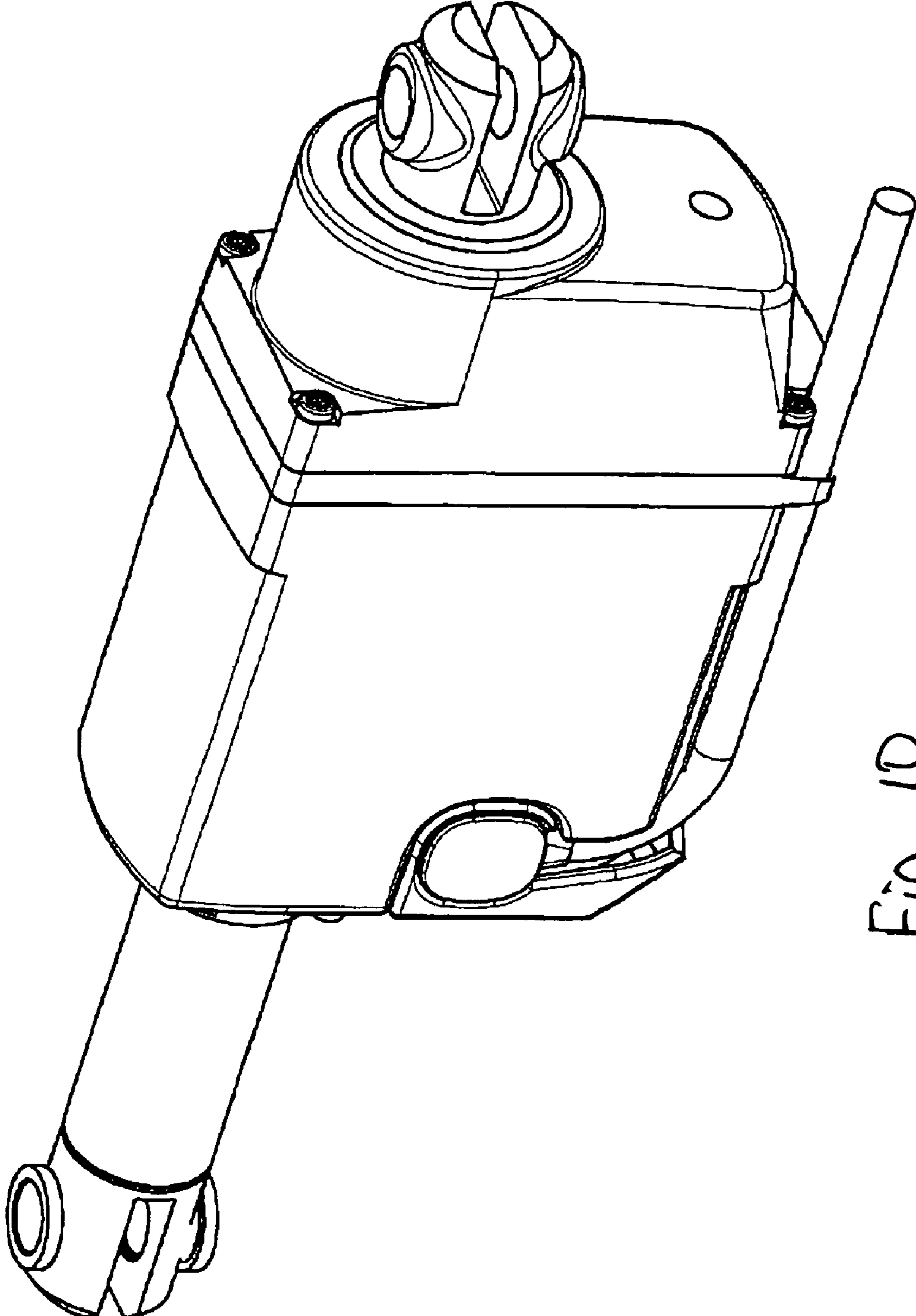


Fig. 10