



US00D620960S

(12) **United States Design Patent**  
**Teed**

(10) **Patent No.:** **US D620,960 S**

(45) **Date of Patent:** **\*\* Aug. 3, 2010**

(54) **ELLIPTICAL ROD BEARING**

(76) **Inventor:** **Daniel J. Teed**, 15678 King Dr.,  
Meadville, PA (US) 16335

(\*\*) **Term:** **14 Years**

(21) **Appl. No.:** **29/312,515**

(22) **Filed:** **Oct. 27, 2008**

(51) **LOC (9) Cl.** ..... **15-09**

(52) **U.S. Cl.** ..... **D15/143**

(58) **Field of Classification Search** ..... D8/355,  
D8/367; D15/143, 149, 199; 174/185; 277/29,  
277/351, 423, 549; 403/60, 78, 82, 164,  
403/165

See application file for complete search history.

(56) **References Cited**

**U.S. PATENT DOCUMENTS**

D60,268	S *	1/1922	Schuler	.....	D11/87
1,844,916	A *	2/1932	Dykes	.....	439/372
2,478,660	A *	8/1949	Keahey	.....	384/211
3,765,064	A *	10/1973	Hoober et al.	.....	24/658
4,034,996	A *	7/1977	Manita et al.	.....	280/80.1
4,880,329	A *	11/1989	Sakai	.....	403/134
5,105,490	A *	4/1992	Shek	.....	5/693
D346,423	S *	4/1994	Kitagawa	.....	D22/134
D347,402	S *	5/1994	Kemp et al.	.....	D11/86
5,445,365	A *	8/1995	Forderer	.....	267/137
5,795,092	A *	8/1998	Jaworski et al.	.....	403/56
5,931,597	A *	8/1999	Urbach	.....	403/134
6,226,435	B1 *	5/2001	Hunsinger	.....	385/135
6,231,264	B1 *	5/2001	McLaughlin et al.	.....	403/76
D447,157	S *	8/2001	Sasaki et al.	.....	D15/143
6,314,643	B1 *	11/2001	Leith	.....	29/888.08
6,349,684	B1 *	2/2002	de Gooijer	.....	123/78 F

D456,827	S *	5/2002	Butts	.....	D15/143
6,863,289	B2 *	3/2005	Buhl et al.	.....	280/124.111
6,955,567	B2 *	10/2005	Inaba et al.	.....	439/651
6,959,935	B2 *	11/2005	Buhl et al.	.....	280/124.11
D531,079	S *	10/2006	Scharr	.....	D11/86
D549,750	S *	8/2007	Sim	.....	D15/143
D552,137	S *	10/2007	Sim	.....	D15/143
7,306,211	B2 *	12/2007	Bjorkgard	.....	267/293
D561,636	S *	2/2008	Khubani et al.	.....	D11/87
7,328,681	B2 *	2/2008	Tidwell	.....	123/195 R
7,339,129	B2 *	3/2008	Shatley	.....	200/339
7,478,802	B2 *	1/2009	Wolter et al.	.....	267/141.2
D606,447	S *	12/2009	West et al.	.....	D11/80

\* cited by examiner

*Primary Examiner*—Sandra Snapp

*Assistant Examiner*—Patricia Palasik

(74) *Attorney, Agent, or Firm*—Richard K Thomson

(57) **CLAIM**

The ornamental design for an elliptical rod bearing, as shown and described.

**DESCRIPTION**

FIG. 1 is perspective front view of the elliptical bearing of the present invention;

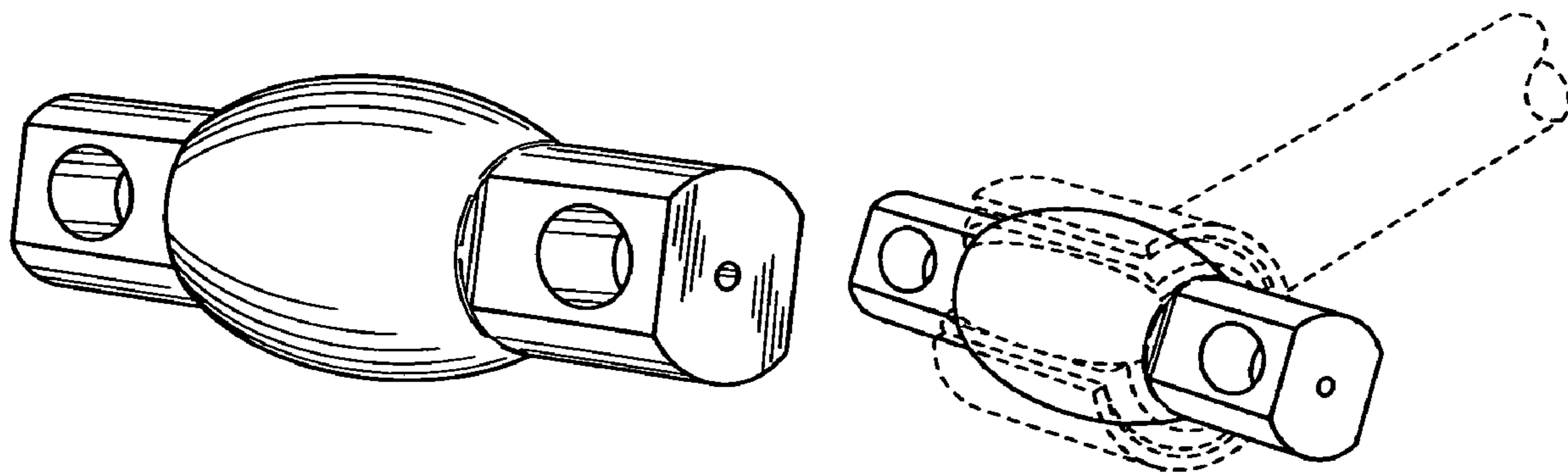
FIG. 2 is a top view of the elliptical bearing, the bottom being a mirror image;

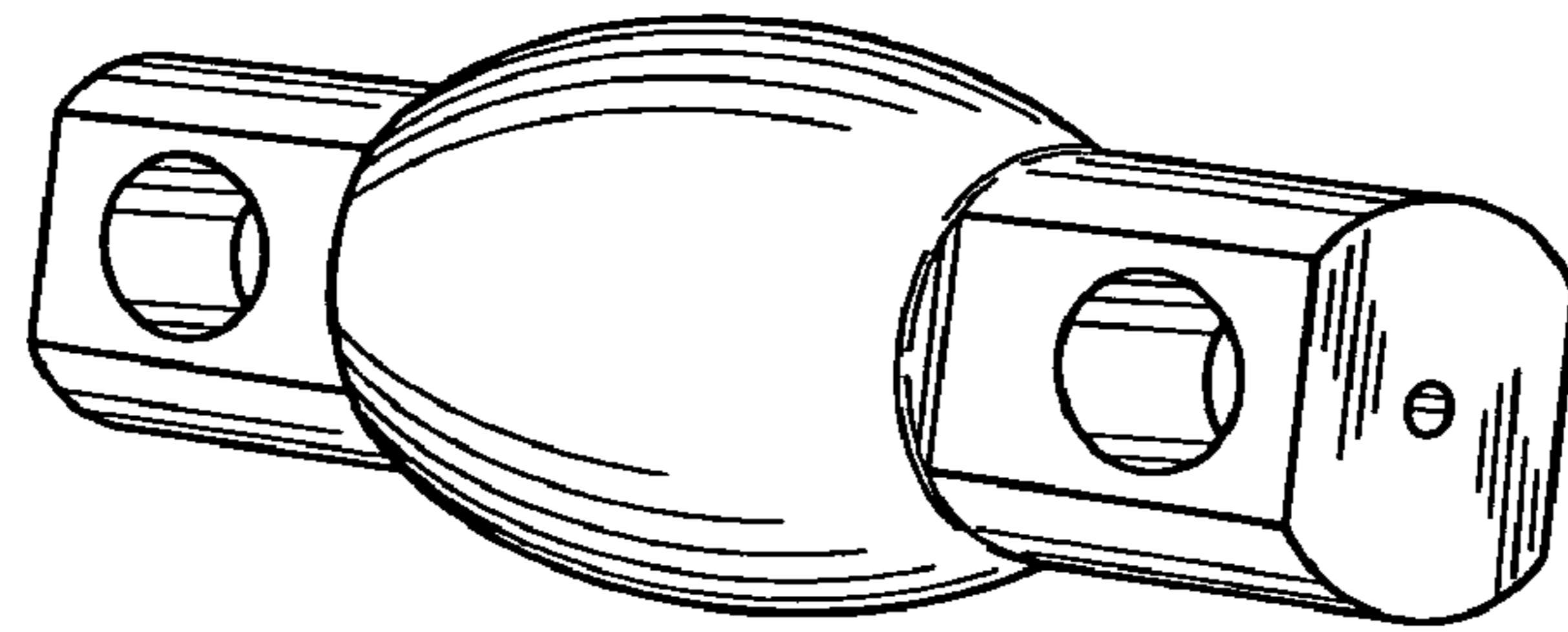
FIG. 3 is a front view of the elliptical bearing, the rear being a mirror image;

FIG. 4 is a view of one end of the elliptical bearing, the opposite end being identical; and,

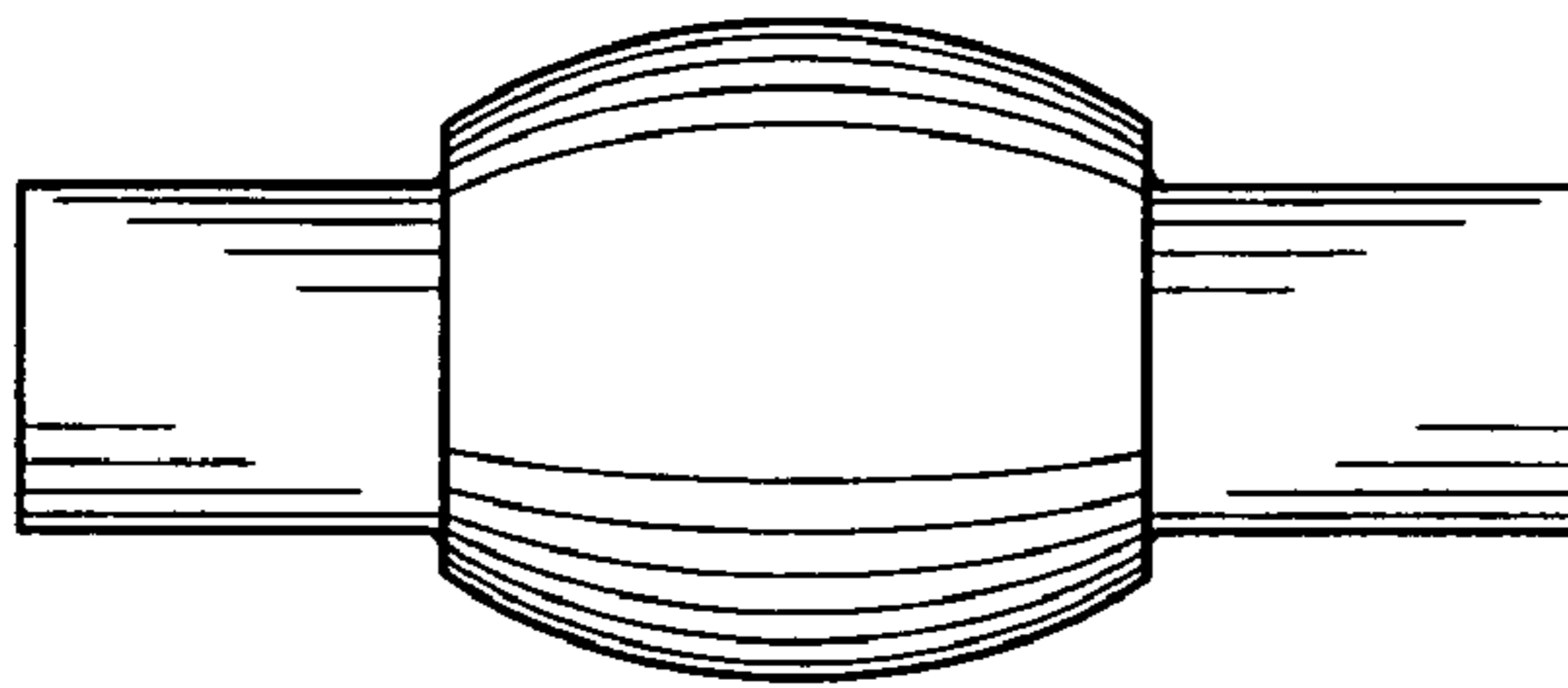
FIG. 5 is schematic perspective view of the elliptical bearing with a rod end ghosted in.

**1 Claim, 1 Drawing Sheet**

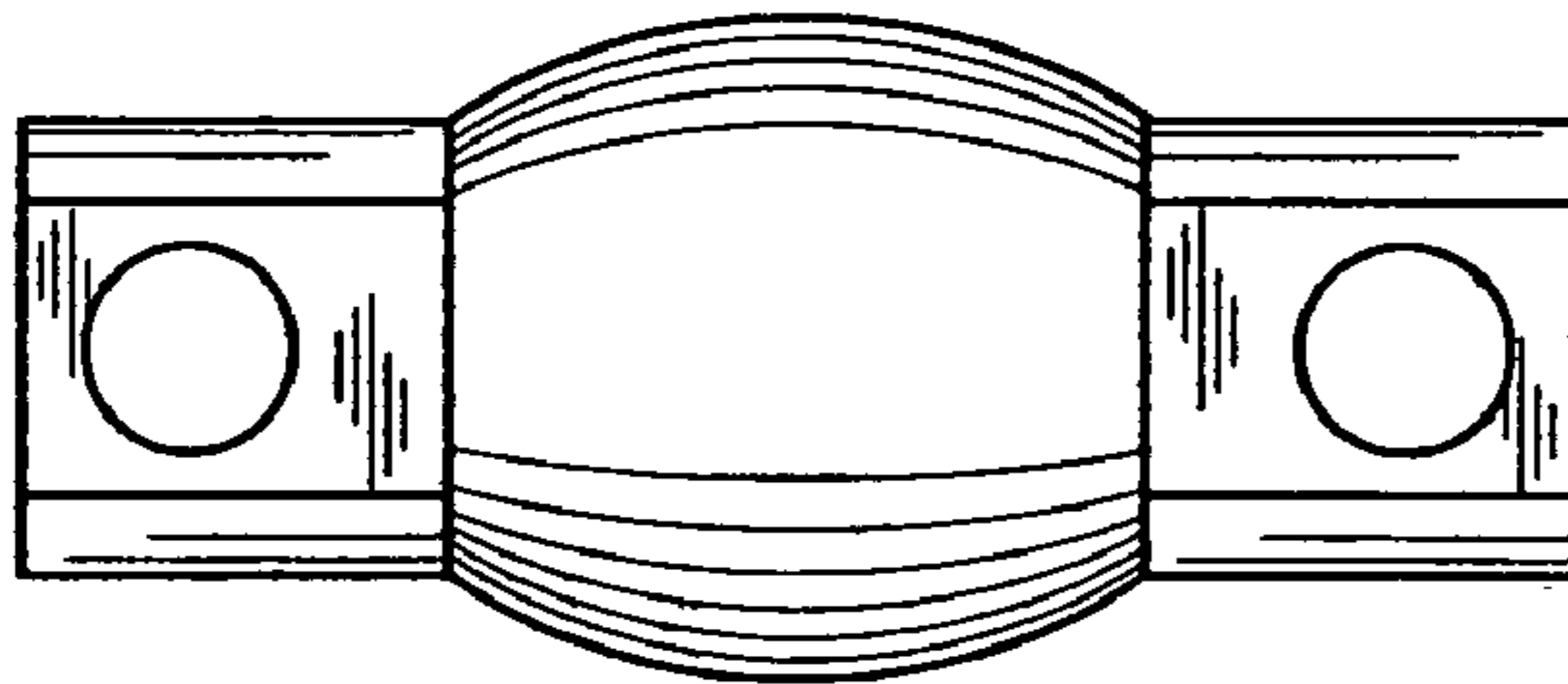




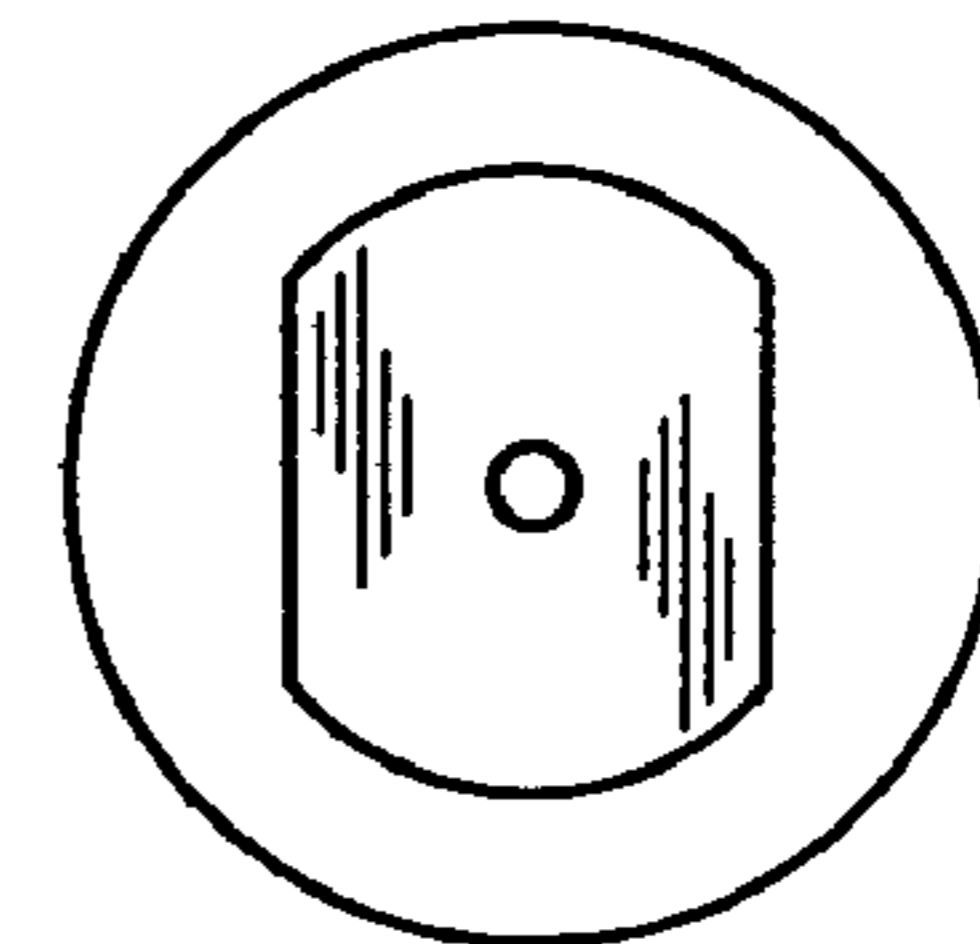
*Fig. 1*



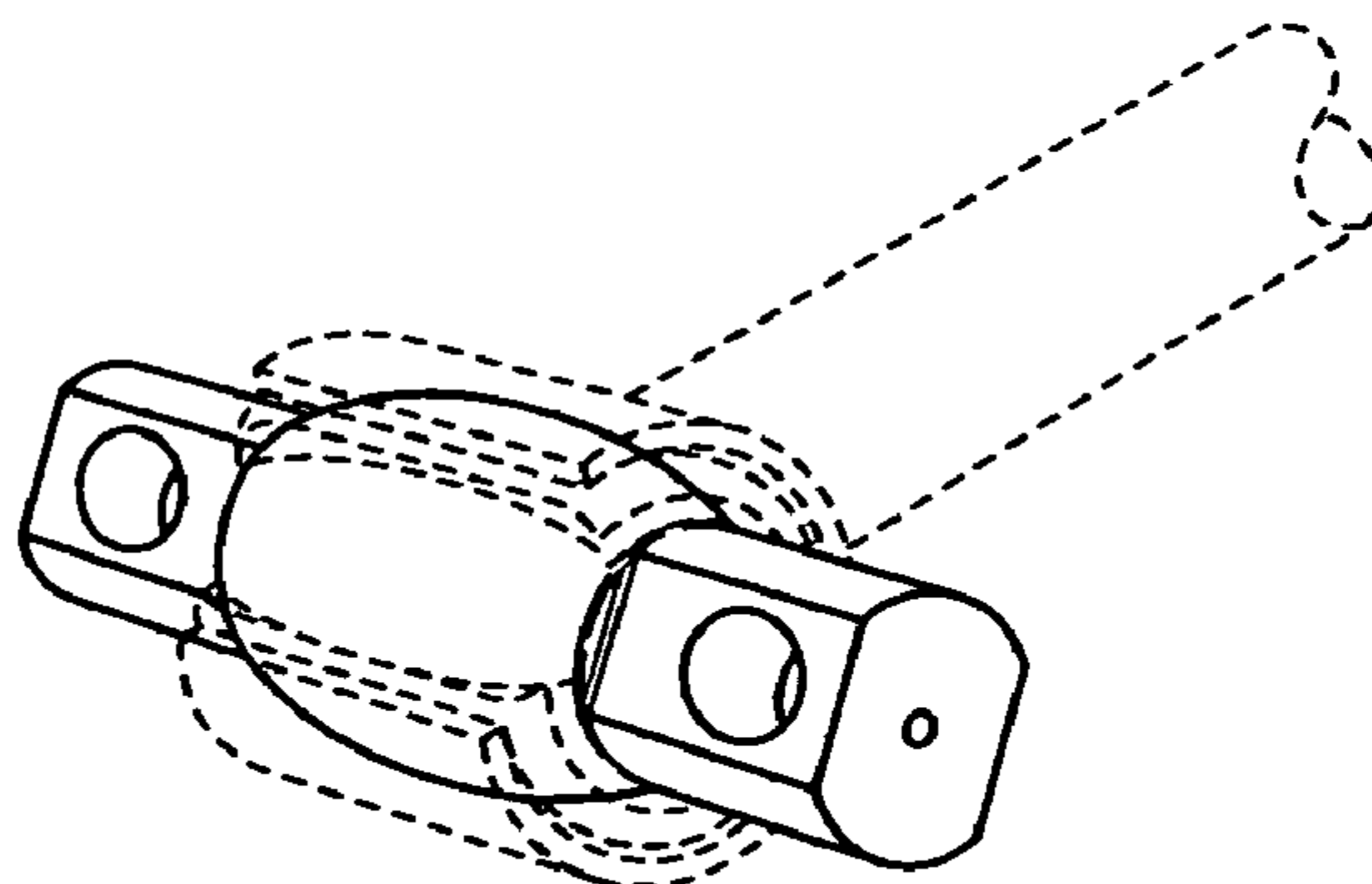
*Fig. 2*



*Fig. 3*



*Fig. 4*



*Fig. 5*