



US00D620946S

(12) **United States Design Patent**
Lo

(10) **Patent No.:** **US D620,946 S**
(45) **Date of Patent:** **** Aug. 3, 2010**

(54) **USB FLASH DISK**

(76) **Inventor:** **Yu-Nan Lo**, No. 8, Lane 45, Ciancun E. Rd., Daya Township, Taichung County 42852 (TW)

(**) **Term:** **14 Years**

(21) **Appl. No.:** **29/352,778**

(22) **Filed:** **Dec. 26, 2009**

(51) **LOC (9) Cl.** **14-02**

(52) **U.S. Cl.** **D14/480.5**

(58) **Field of Classification Search** D14/356,
D14/411, 433, 435.1, 436, 137, 155, 167,
D14/168, 203.1–203.8, 240, 242, 299, 480.1–480.7,
D14/484.1; D3/201, 273; D13/107, 108,
D13/149, 184; 710/300, 301; 439/131, 135–147;
361/679.31, 679.33, 679.4, 752; 711/100,
711/115

See application file for complete search history.

(56) **References Cited**

U.S. PATENT DOCUMENTS

D271,970 S *	12/1983	Velsher et al.	D14/140.5
D310,218 S *	8/1990	Murphy	D14/137
D451,919 S *	12/2001	Abboud	D14/356
D460,943 S *	7/2002	Tsay et al.	D13/107
D547,311 S *	7/2007	Chen et al.	D14/356
D566,709 S *	4/2008	Kim	14/356
D581,413 S *	11/2008	Kim	14/356
D587,266 S *	2/2009	Deguchi	D14/356
D602,026 S *	10/2009	Lo	D14/480.7
2006/0258196 A1 *	11/2006	Chen et al.	439/141
2008/0189486 A1 *	8/2008	Nguyen et al.	711/115
2008/0218957 A1 *	9/2008	Kim	361/684

OTHER PUBLICATIONS

Design Registration Application No. 001181788-0001 [Europe], registered on Dec. 1, 2009.*

Design Registration No. 300433098.0000 [Korea], filed on Mar. 30, 2006, registered on Dec. 1, 2006.*

CellMate Single-Slt Multi-Card Reader Manufacturer, [online], [retrieved on Jan. 8, 2007]. Retrieved from the Internet <URL: <http://www.globalsources.com/gsol/1/Memory-card/p/bg/1000647651.htm>>.*

USB 2.0 SD/MMC Card Reader Manufacturer, [online], [retrieved on Jan. 8, 2007]. Retrieved from the Internet <URL: <http://www.globalsources.com/gsol/1/Memory-card/p/bg/1002042402.htm>>.*

* cited by examiner

Primary Examiner—Cathron C Brooks

Assistant Examiner—Karen E Kearney

(74) *Attorney, Agent, or Firm*—Banger Shia

(57) **CLAIM**

The ornamental design for a USB flash disk, as shown and described.

DESCRIPTION

FIG. 1 is a perspective view of a USB flash disk showing my new design;

FIG. 2 is a front elevational view thereof;

FIG. 3 is a rear elevational view thereof;

FIG. 4 is a left side elevational view thereof;

FIG. 5 is a right side elevational view thereof;

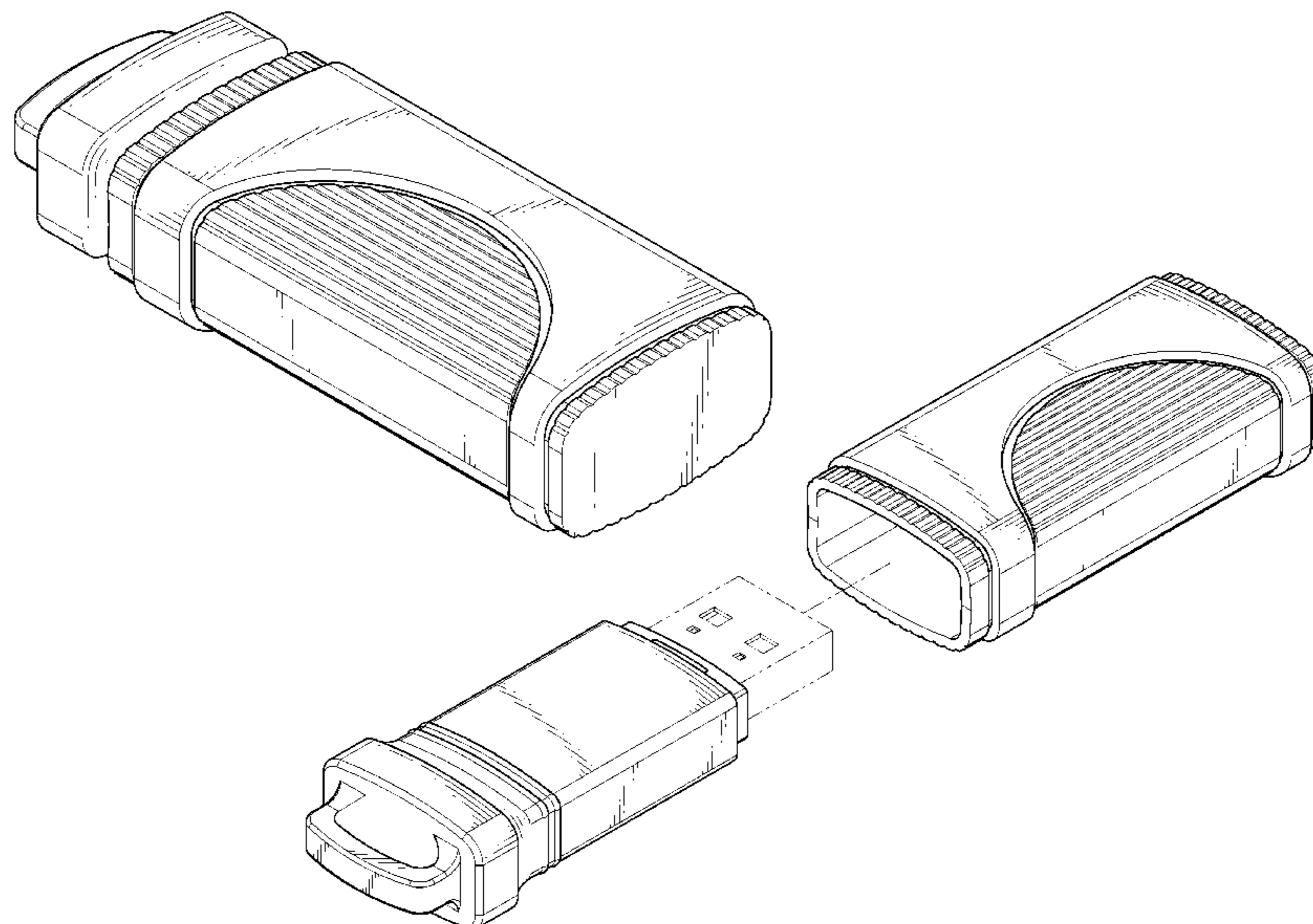
FIG. 6 is a top plan view thereof;

FIG. 7 is a bottom plan view thereof; and,

FIG. 8 is a perspective view thereof, wherein the device is shown in an open position.

The broken line showing of the connector in FIG. 8 is included for the purpose of illustrating unclaimed portions and forms no part of the claimed design.

1 Claim, 8 Drawing Sheets



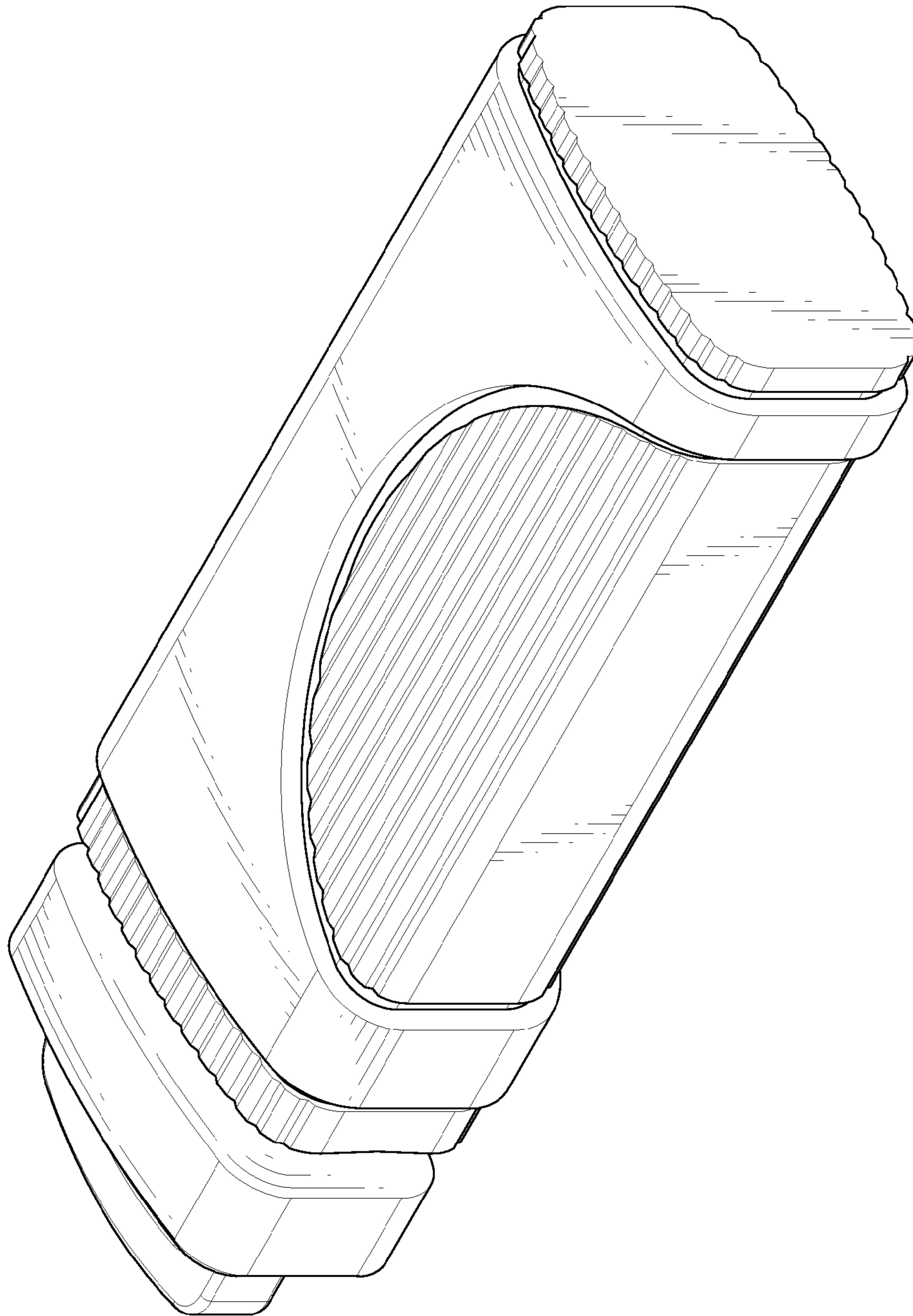


FIG. 1

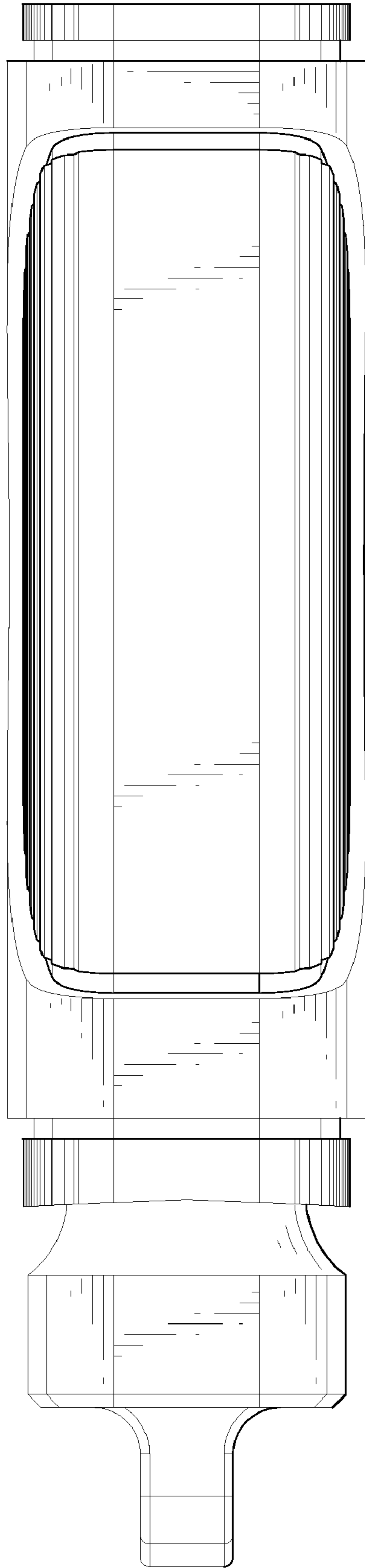


FIG. 2

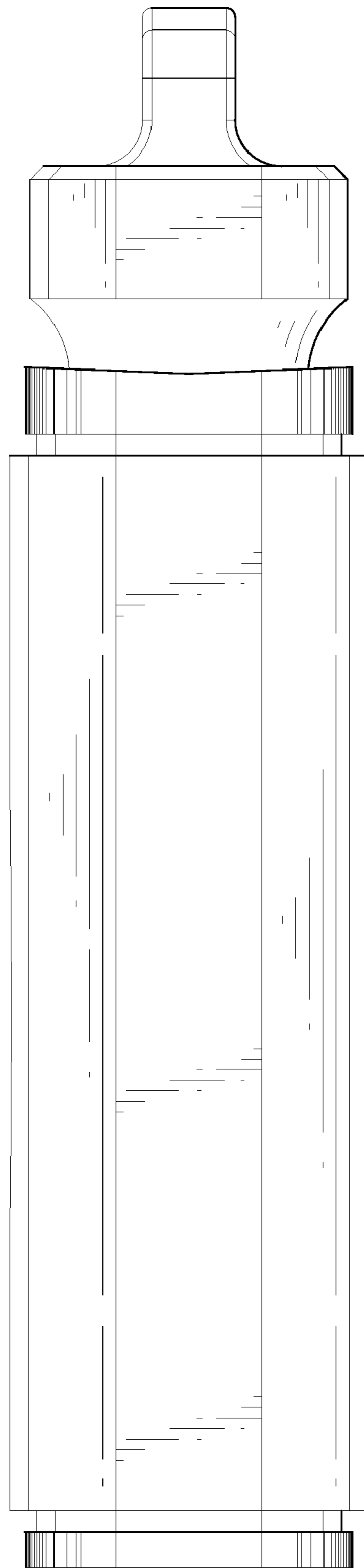


FIG. 3

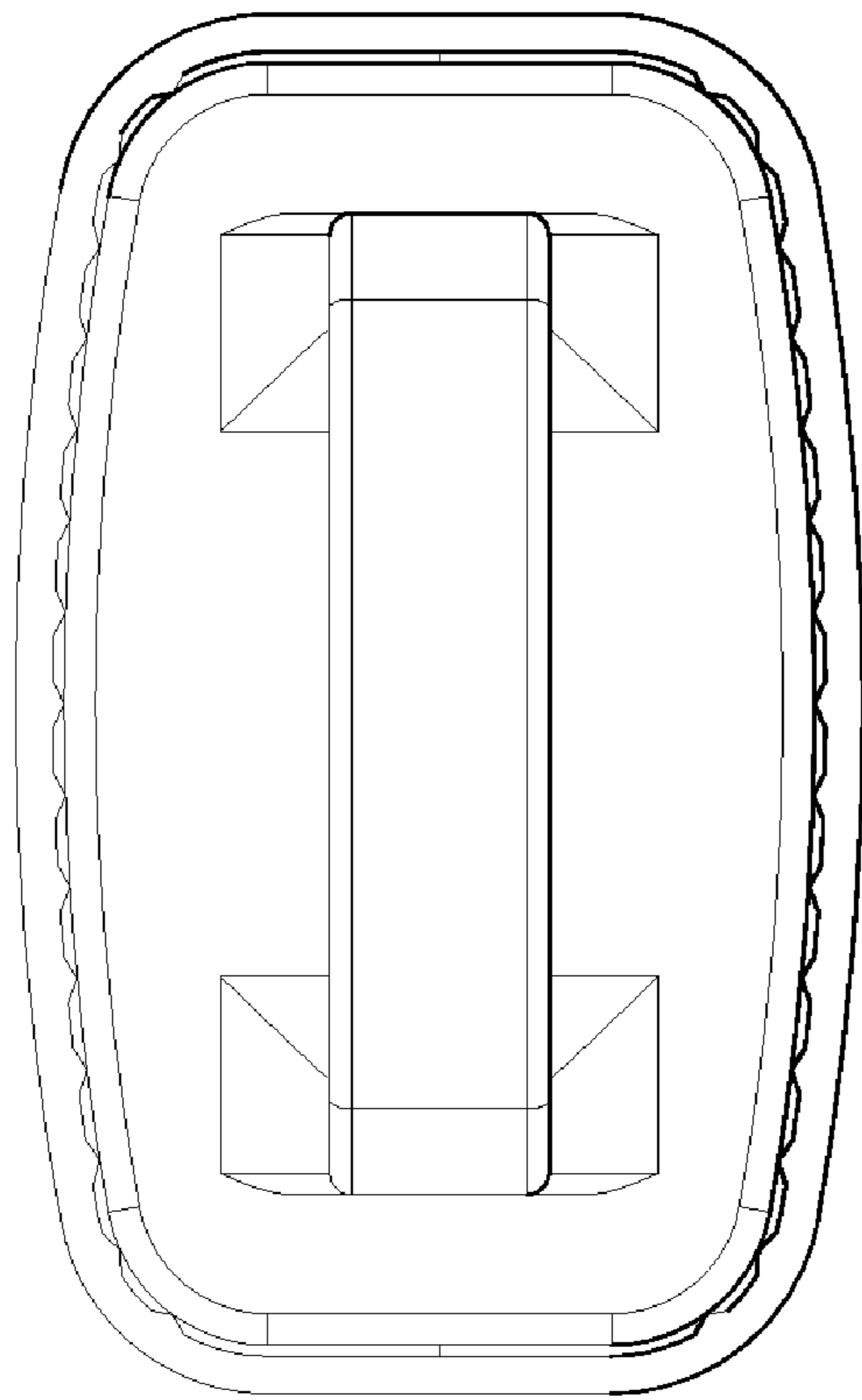


FIG. 4

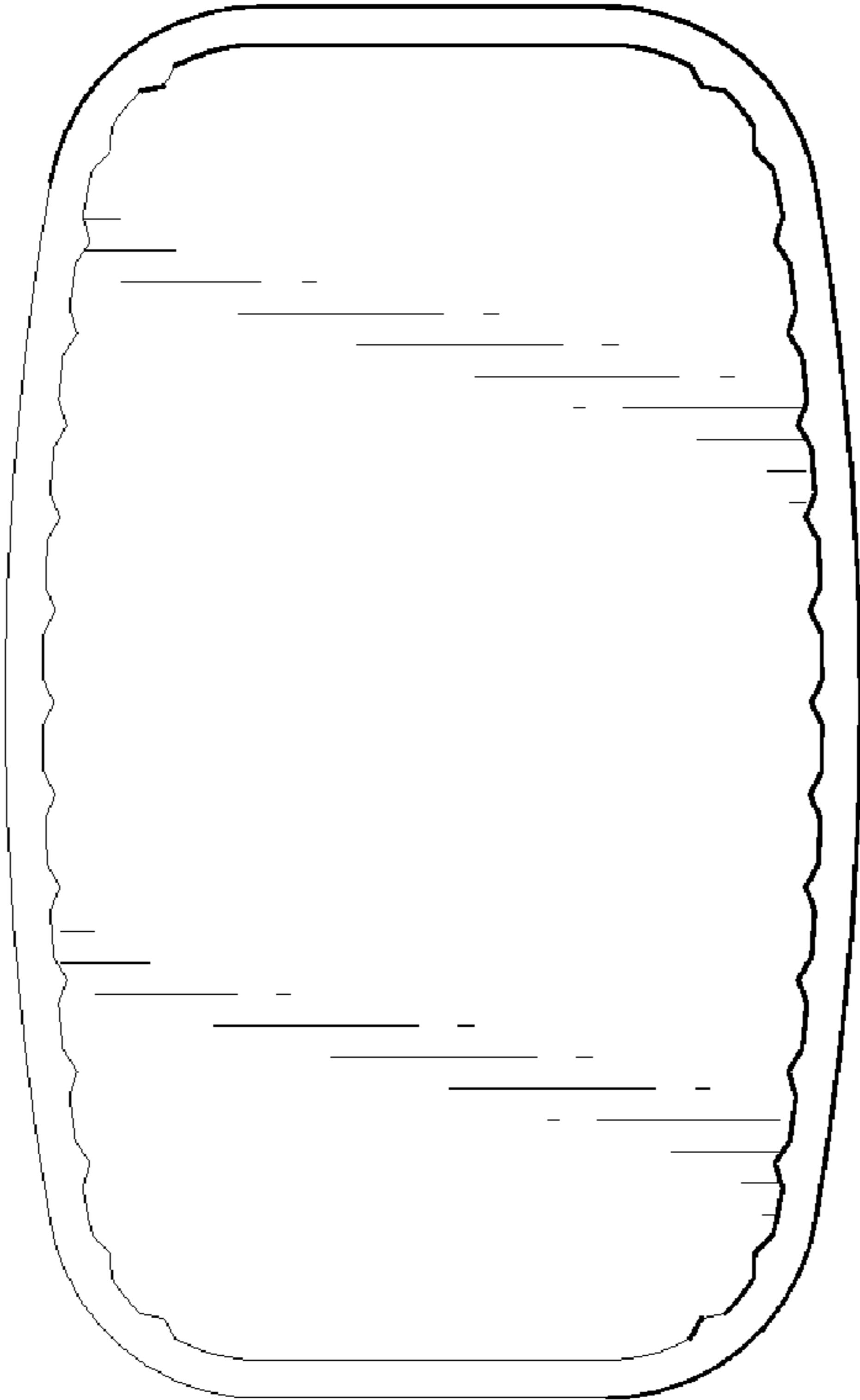


FIG. 5

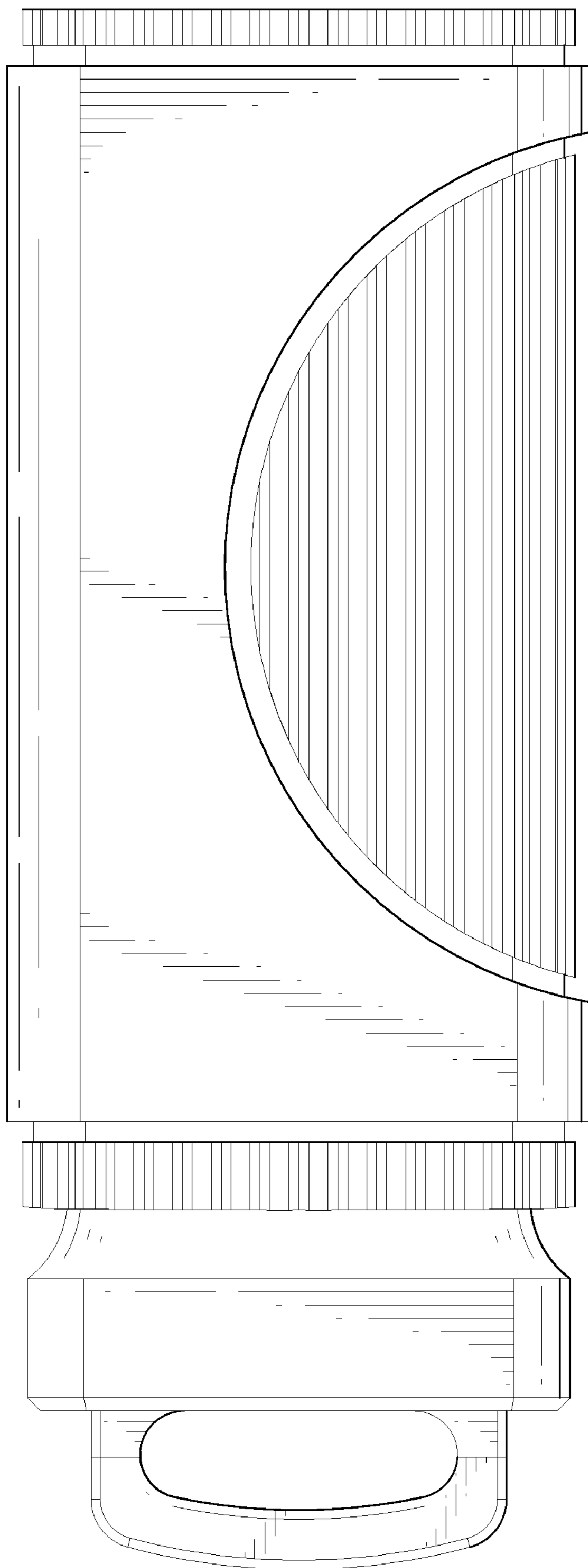


FIG. 6

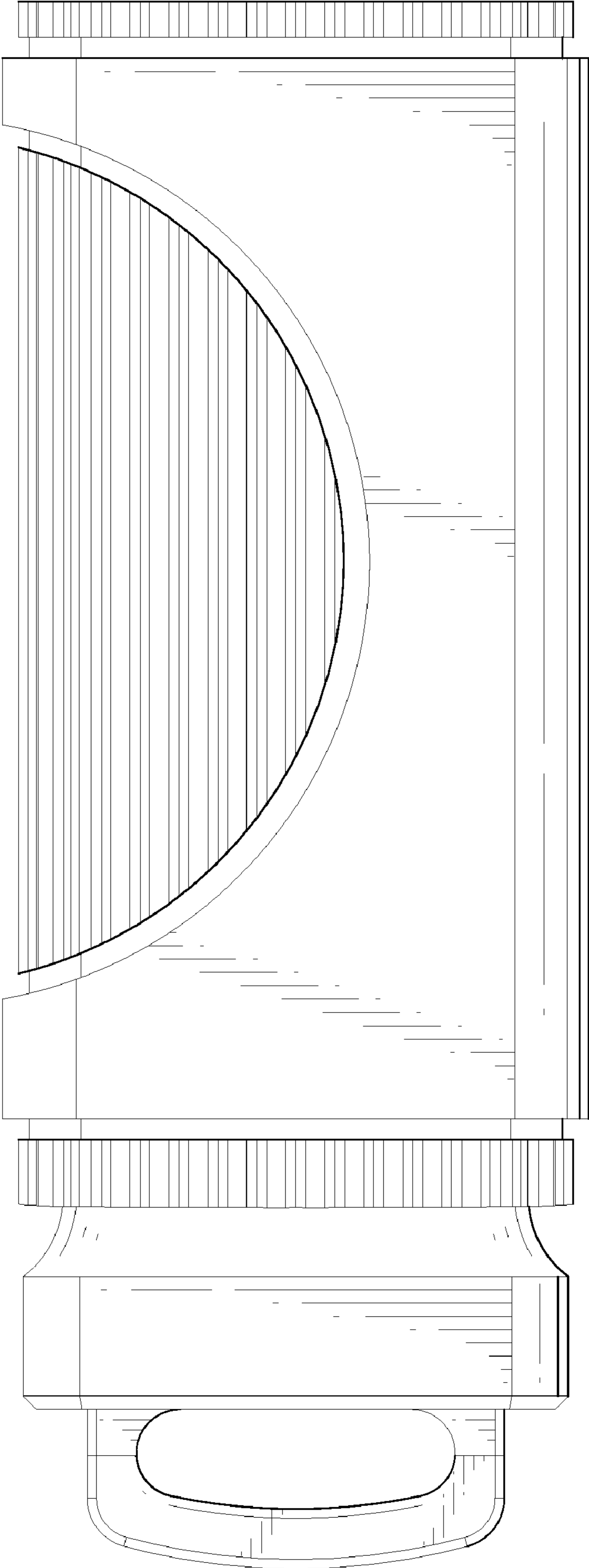


FIG. 7

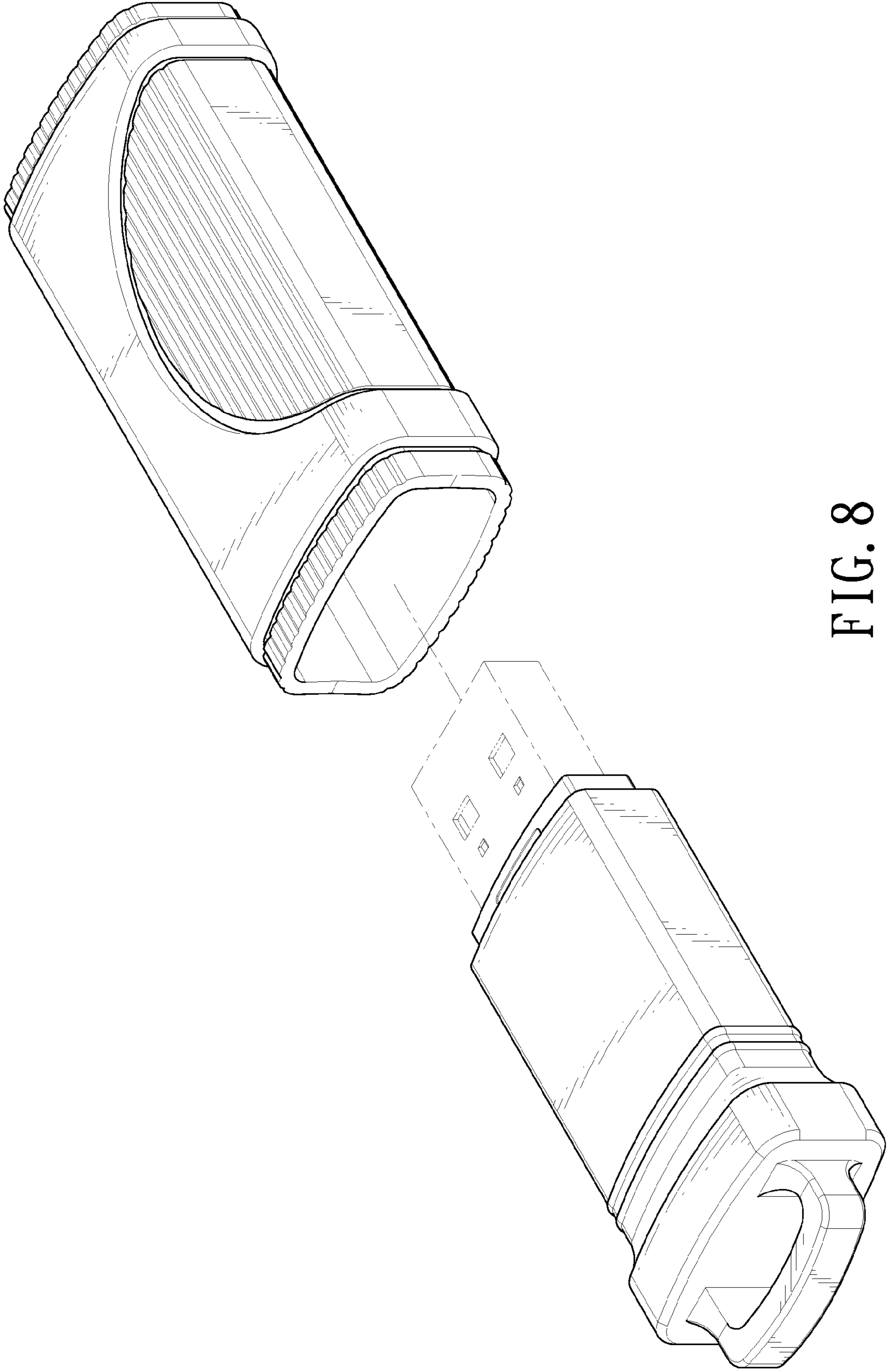


FIG. 8