



US00D620944S

(12) **United States Design Patent**  
**Pegg et al.**

(10) **Patent No.:** **US D620,944 S**

(45) **Date of Patent:** **\*\* Aug. 3, 2010**

(54) **HAND-HELD ELECTRONIC DEVICE  
KEYPAD MODULE**

(75) Inventors: **Albert Pegg**, Waterloo (CA); **Marco  
Sixtus Ferrari**, Waterloo (CA); **Roman  
Peter Rak**, Waterloo (CA); **Corrine  
Anne Raherimanjato**, Irving, TX (US)

(73) Assignee: **Research In Motion Limited**, Waterloo  
(CA)

(\*\*) Term: **14 Years**

(21) Appl. No.: **29/334,506**

(22) Filed: **Mar. 27, 2009**

(51) **LOC (9) Cl.** ..... **14-02**

(52) **U.S. Cl.** ..... **D14/455**

(58) **Field of Classification Search** ..... D14/454,  
D14/455, 456, 315, 320, 331, 333, 334, 338,  
D14/339, 341, 342, 343, 344, 345, 346, 347,  
D14/387, 390, 391, 392, 393, 394, 395, 396,  
D14/397, 398, 399, 400, 401, 406, 429, 432,  
D14/439, 457, 460, 461, 247, 150, 218, 900,  
D14/901, 902, 137, 138 R, 138 AA, 138 AB,  
D14/138 AC, 138 AD, 138 C, 138 G; D21/333,  
D21/329, 331; D18/1, 2, 7, 52, 25, 29; D13/138,  
D13/171; 400/88, 109, 110, 111, 484, 485,  
400/486, 487, 488, 490, 492, 493, 494, 496,  
400/904; 345/168, 169, 170, 171; 455/556.1,  
455/556.2; D20/11, 22, 27

See application file for complete search history.

(56) **References Cited**

**U.S. PATENT DOCUMENTS**

D537,082 S \* 2/2007 Griffin ..... D14/455

7,252,444 B2 \* 8/2007 Ladouceur ..... 400/472  
D550,679 S \* 9/2007 Griffin et al. .... D14/455  
D554,612 S \* 11/2007 Wang ..... D14/138 AA  
D555,648 S \* 11/2007 Griffin ..... D14/346  
D603,404 S \* 11/2009 Rak et al. .... D14/346  
D603,413 S \* 11/2009 Ferrari et al. .... D14/455  
D612,849 S \* 3/2010 Ferrari et al. .... D14/346  
2006/0187210 A1 \* 8/2006 Griffin et al. .... 345/168  
2008/0018606 A1 \* 1/2008 Chen ..... 345/169  
2008/0074395 A1 \* 3/2008 Rak ..... 345/168  
2008/0101594 A1 \* 5/2008 Rak et al. .... 379/433.07

\* cited by examiner

*Primary Examiner*—Jennifer Rivard

*Assistant Examiner*—Angela J Lee

(57) **CLAIM**

We claim the ornamental design for a hand-held electronic device keypad module, as shown and described.

**DESCRIPTION**

FIG. 1 is a front perspective view of a hand-held electronic device keypad module;

FIG. 2 is a back perspective view of a hand-held electronic device keypad module;

FIG. 3 is a front elevational view thereof;

FIG. 4 is a back elevational view thereof;

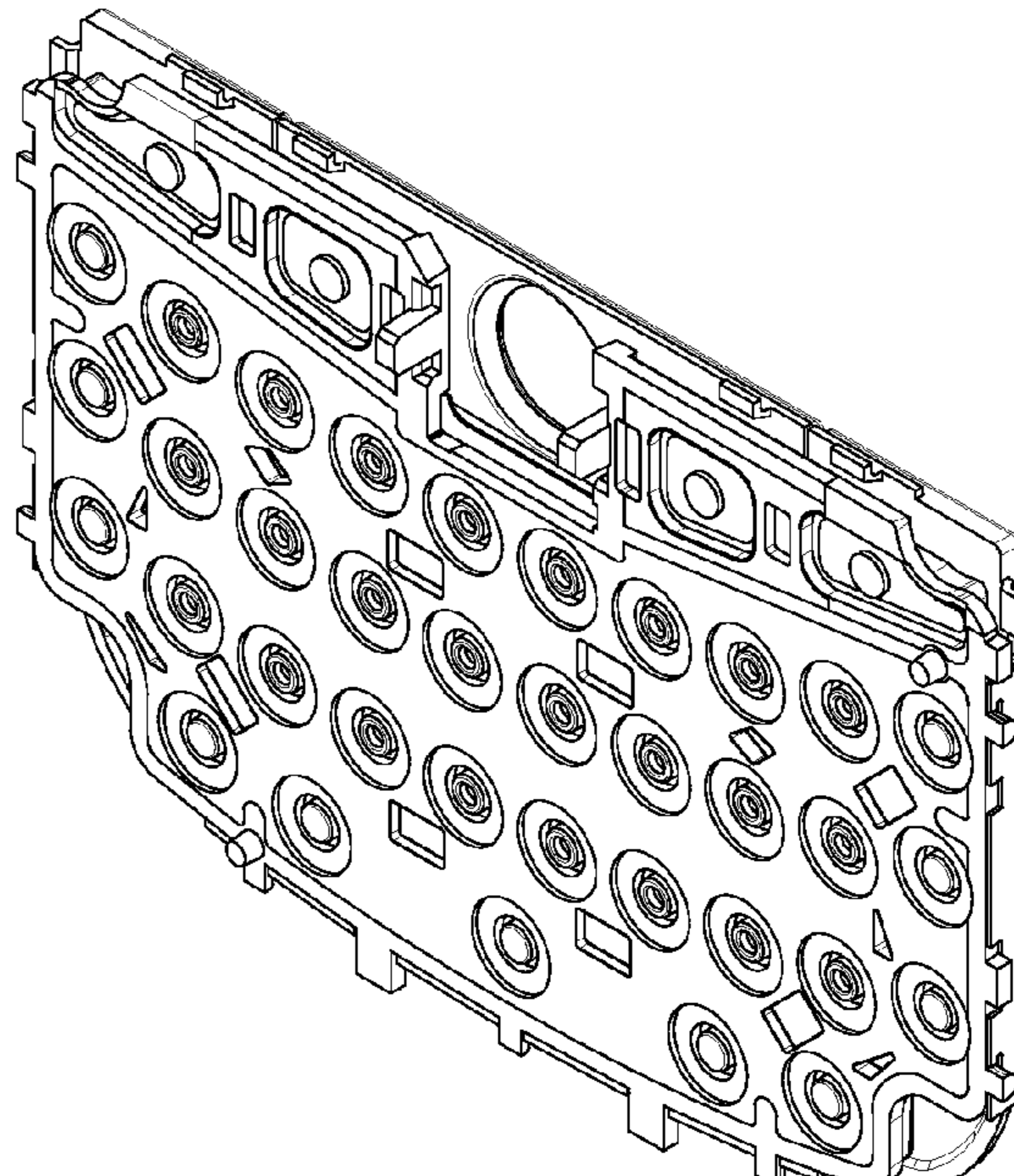
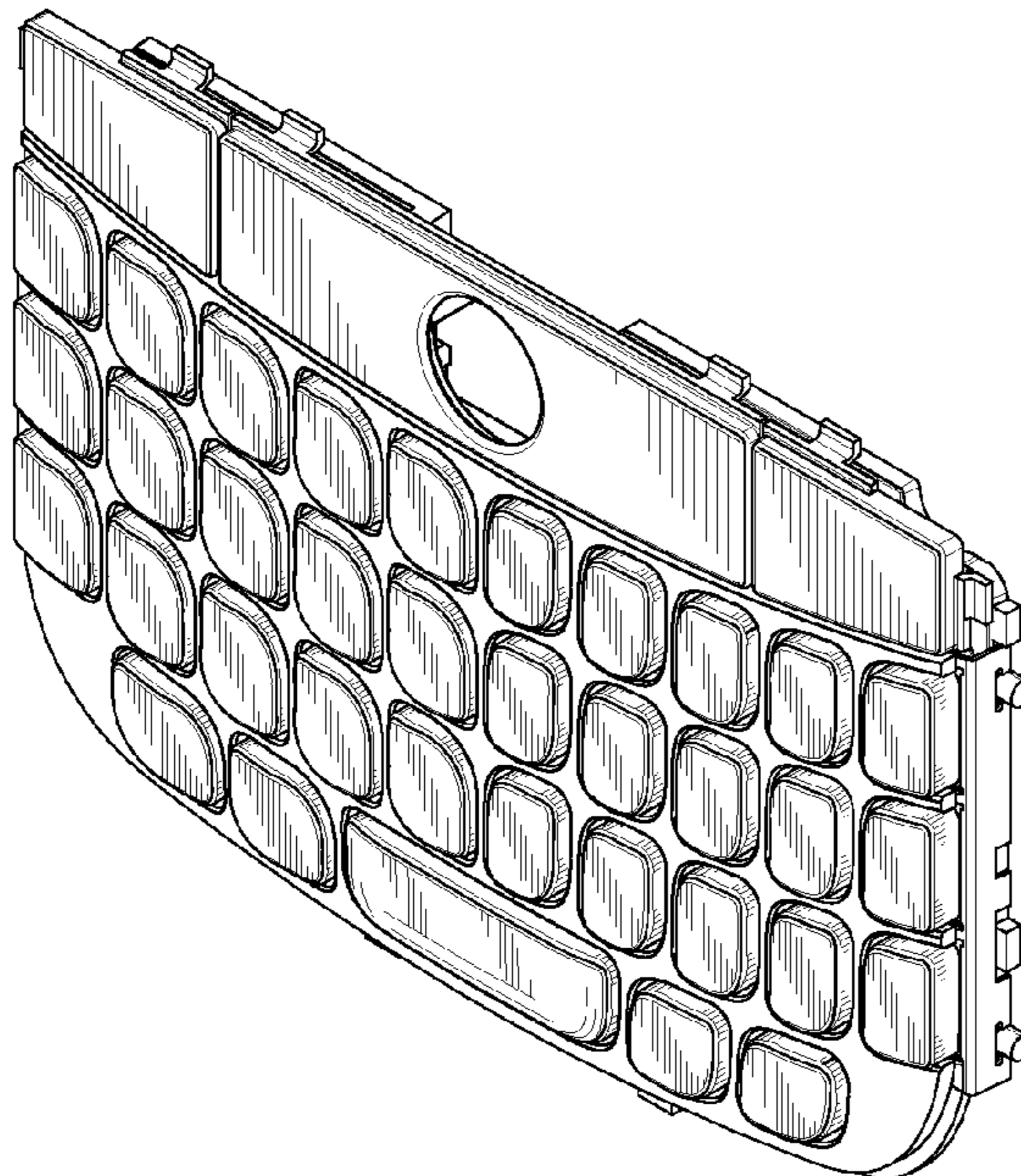
FIG. 5 is a left elevational view thereof;

FIG. 6 is a right elevational view thereof;

FIG. 7 is a top plan view thereof; and,

FIG. 8 is a bottom plan view thereof.

**1 Claim, 6 Drawing Sheets**



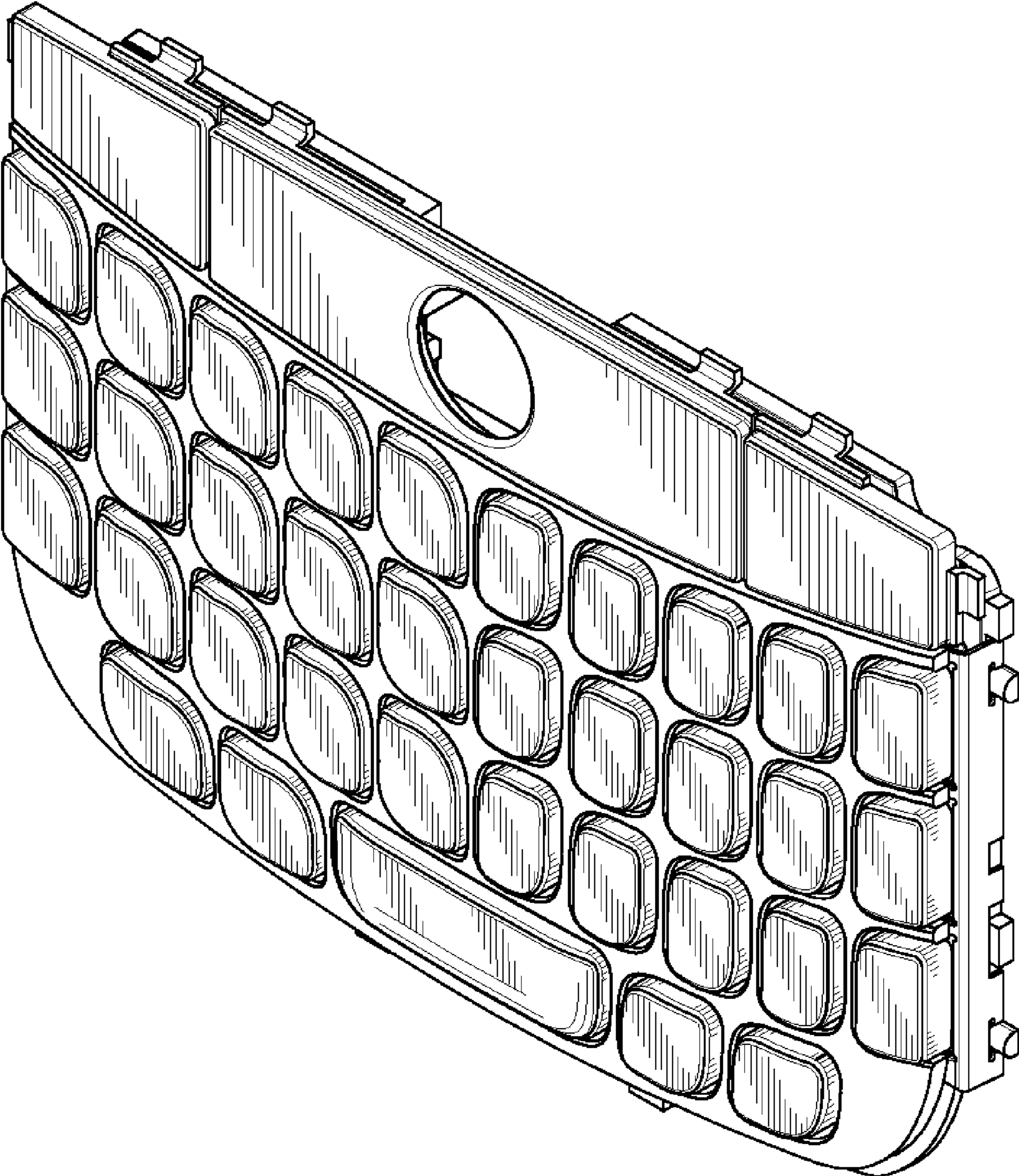


FIG. 1

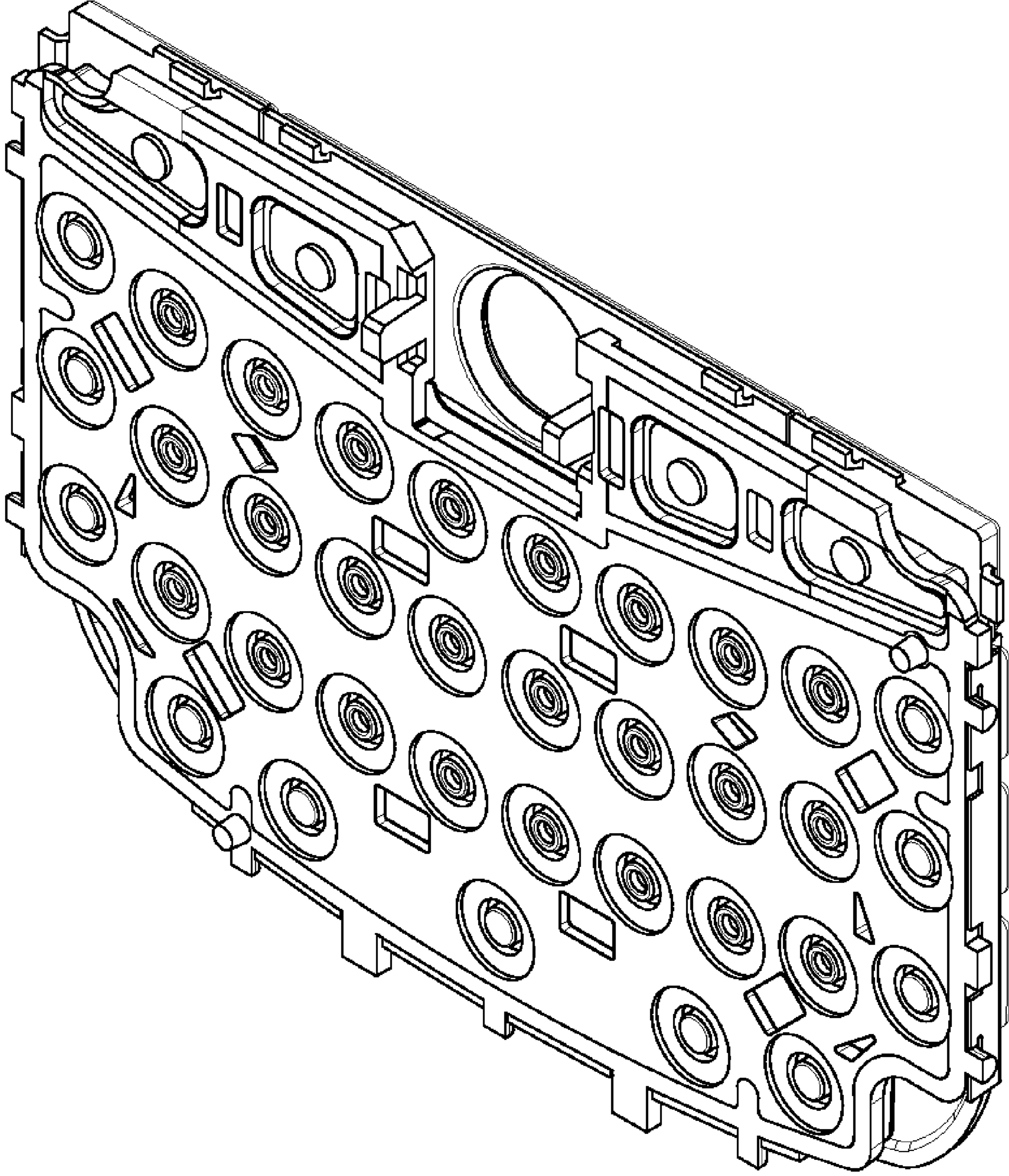


FIG.2

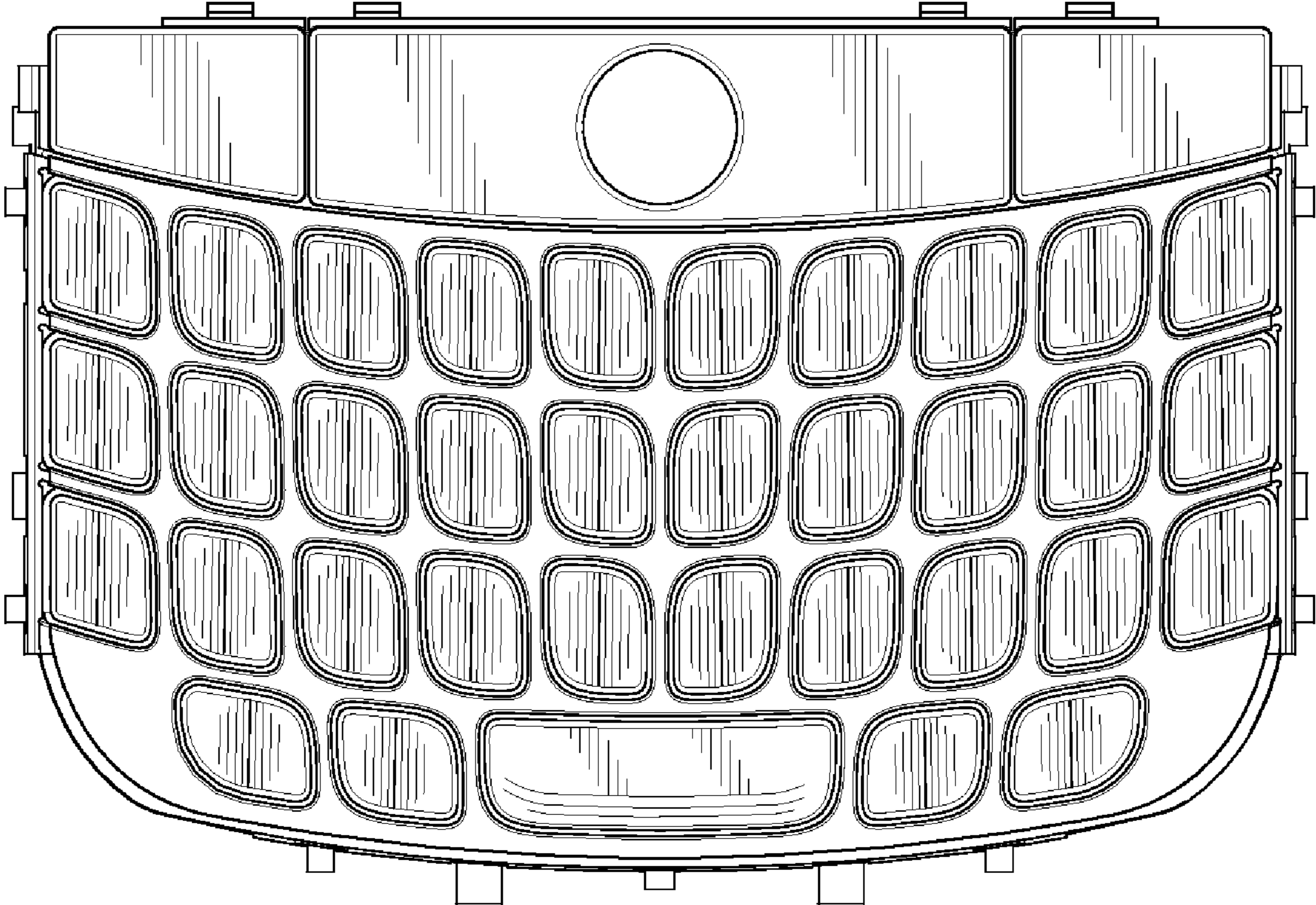


FIG.3

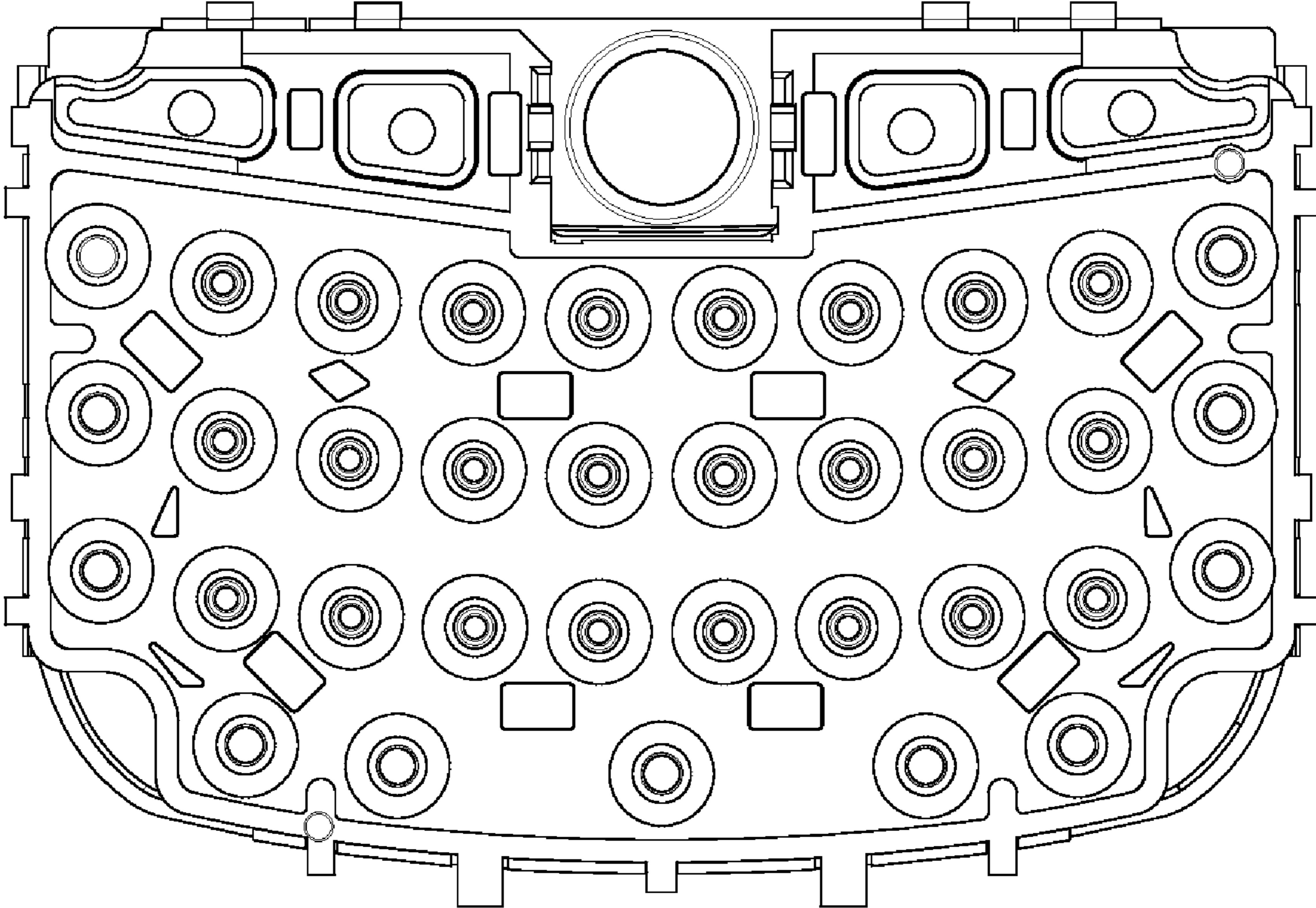


FIG.4

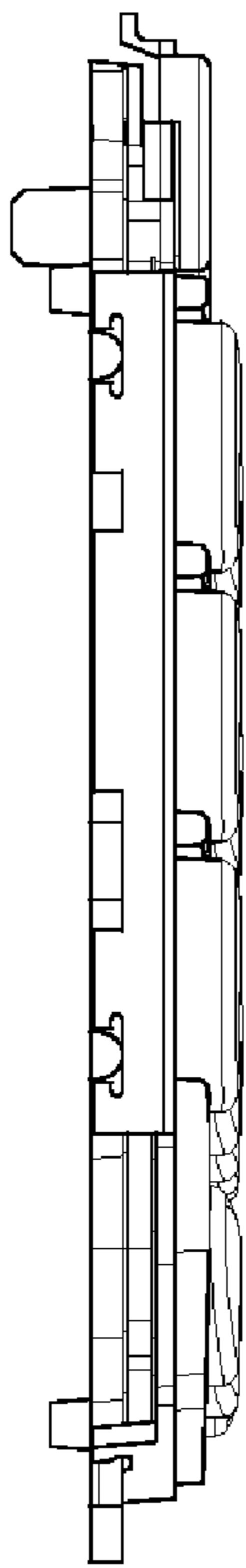


FIG. 5

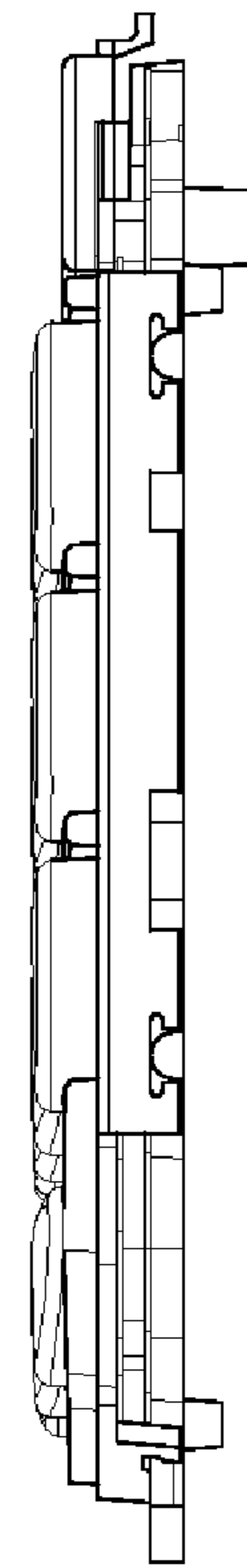


FIG. 6

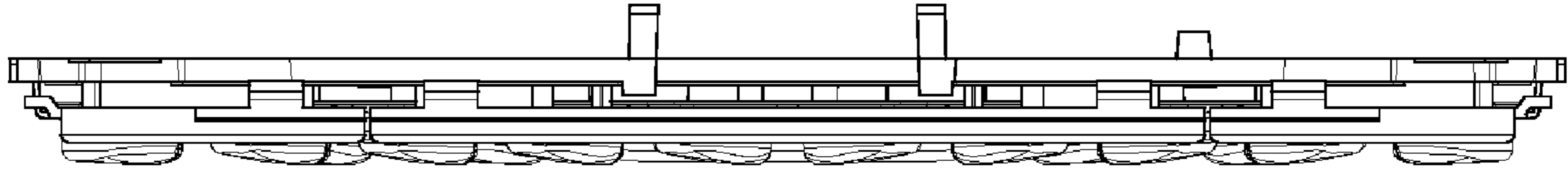


FIG. 7

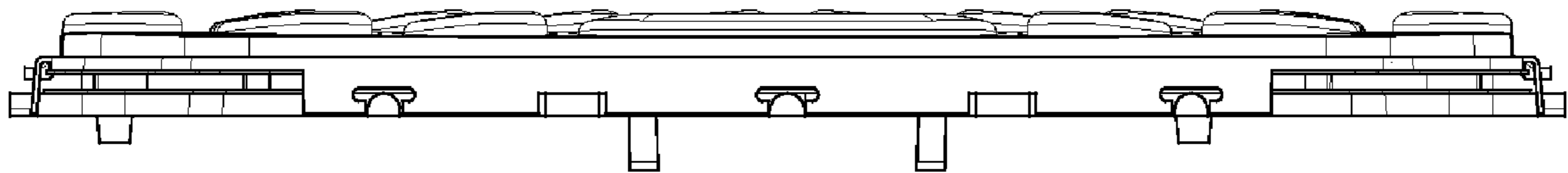


FIG. 8