



US00D620941S

(12) **United States Design Patent**
Stacey et al.

(10) **Patent No.:** **US D620,941 S**

(45) **Date of Patent:** **** Aug. 3, 2010**

(54) **FOLDING LAPTOP STAND**

(76) Inventors: **Michael Stacey**, 2117 Montana Trl,
Grand Prairie, TX (US) 75052; **Kevin Stacey**, 2117 Montana Trl, Grand Prairie,
TX (US) 75052

(**) Term: **14 Years**

(21) Appl. No.: **29/342,983**

(22) Filed: **Sep. 3, 2009**

(51) **LOC (9) Cl.** **08-07**

(52) **U.S. Cl.** **D14/447**

(58) **Field of Classification Search** D14/447,
D14/451, 452, 432, 439, 448, 457, 203.8,
D14/217, 224, 224.1, 238.1, 239, 251, 252,
D14/253, 371, 372, 373, 374, 375, 376, 377,
D14/378, 379, 381, 382, 434; D6/310, 311,
D6/312, 313, 314, 406.3, 406.4, 406.5, 406.6,
D6/419, 420; D8/383, 373, 380; D12/415;
379/454, 455; 312/223.3; 248/917, 918,
248/919, 920, 921, 922, 923, 924, 447.2,
248/455, 460, 228.6, 276.1, 281.11; 361/679.02,
361/679.04, 679.06, 679.07, 679.09, 679.21,
361/679.26, 679.27, 679.3, 679.55, 679.56
See application file for complete search history.

(56) **References Cited**

U.S. PATENT DOCUMENTS

5,029,784	A *	7/1991	Blahout	248/166
D357,828	S *	5/1995	Liao	D6/466
5,957,417	A *	9/1999	Yu	248/166
D457,351	S *	5/2002	Zerman et al.	D6/462
D469,773	S *	2/2003	Bradley	D14/434
D470,149	S *	2/2003	West	D14/447
D495,337	S *	8/2004	Zerman et al.	D14/447

D538,554	S *	3/2007	Tai	D6/466
D539,805	S *	4/2007	Li et al.	D14/447
7,391,606	B2 *	6/2008	Chen et al.	361/679.27
D575,293	S *	8/2008	Derry et al.	D14/447
D594,253	S *	6/2009	Lippert et al.	D6/466
D610,587	S *	2/2010	Bandringa	D14/447

* cited by examiner

Primary Examiner—Jennifer Rivard
Assistant Examiner—Angela J Lee

(57) **CLAIM**

The ornamental design for a folding laptop stand, as shown and described.

DESCRIPTION

FIG. 1 is a front perspective view of a folding laptop stand showing our new design.

FIG. 2 is a front view thereof;

FIG. 3 is a rear view thereof;

FIG. 4 is a left side view thereof;

FIG. 5 is a right side view thereof;

FIG. 6 is a top view thereof;

FIG. 7 is a bottom view thereof;

FIG. 8 is a rear view in a compact orientation thereof;

FIG. 9 is a front view in a compact orientation thereof;

FIG. 10 is a left side view in a compact orientation thereof; and,

FIG. 11 is a right side view in a compact orientation thereof.

A folding laptop stand designed to be compact and easily portable.

1 Claim, 9 Drawing Sheets

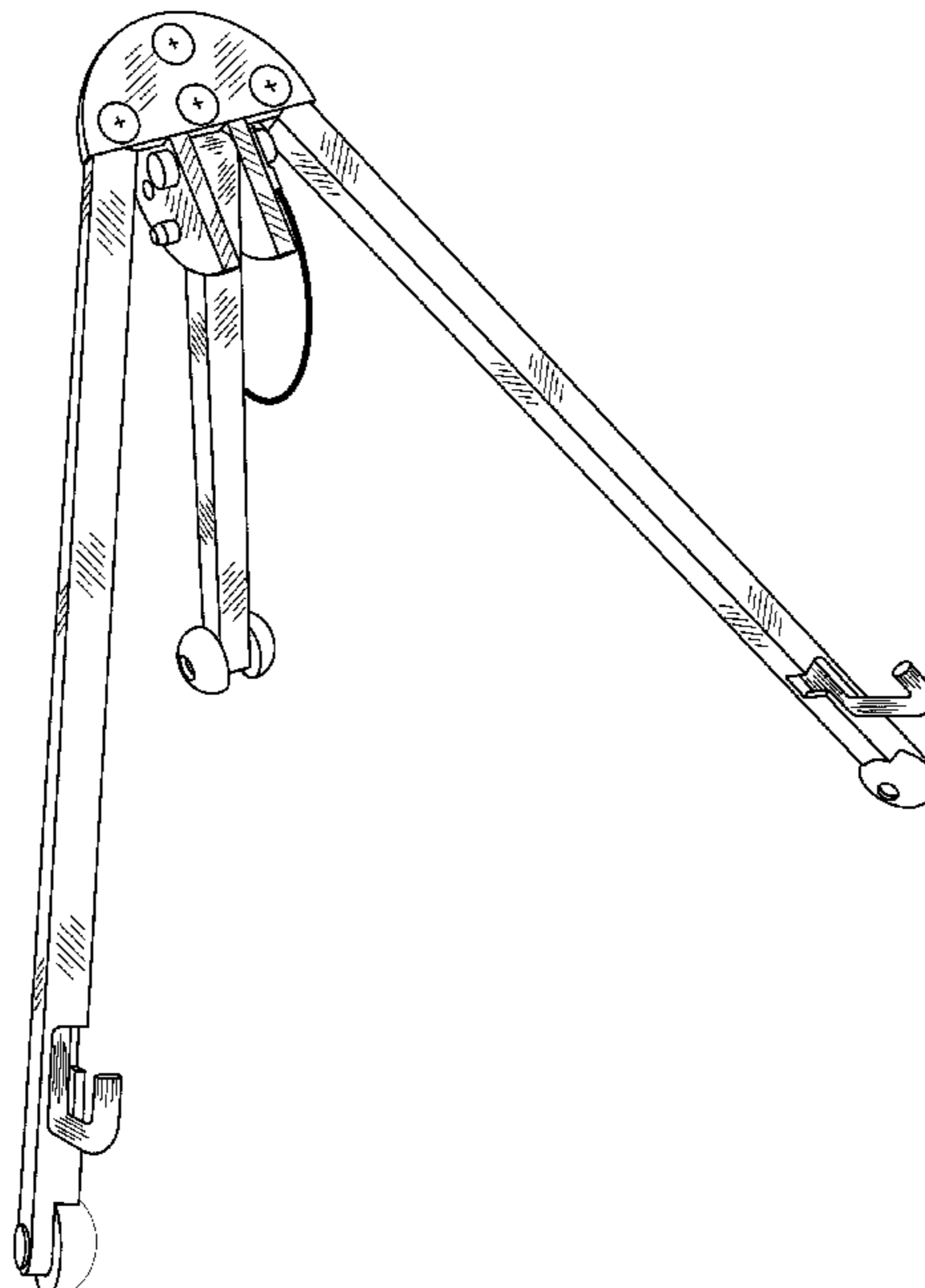


FIG. 1

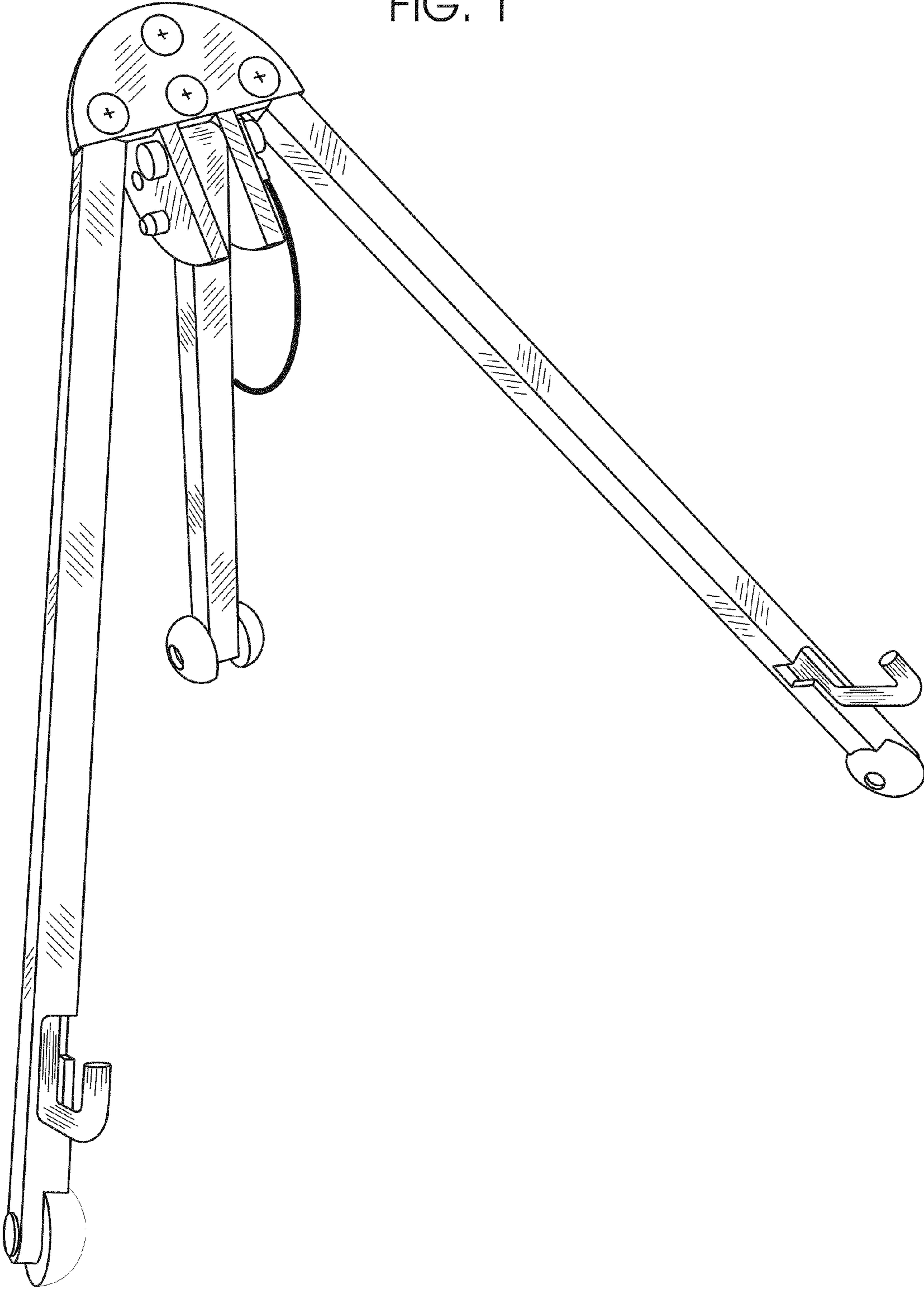


FIG. 2

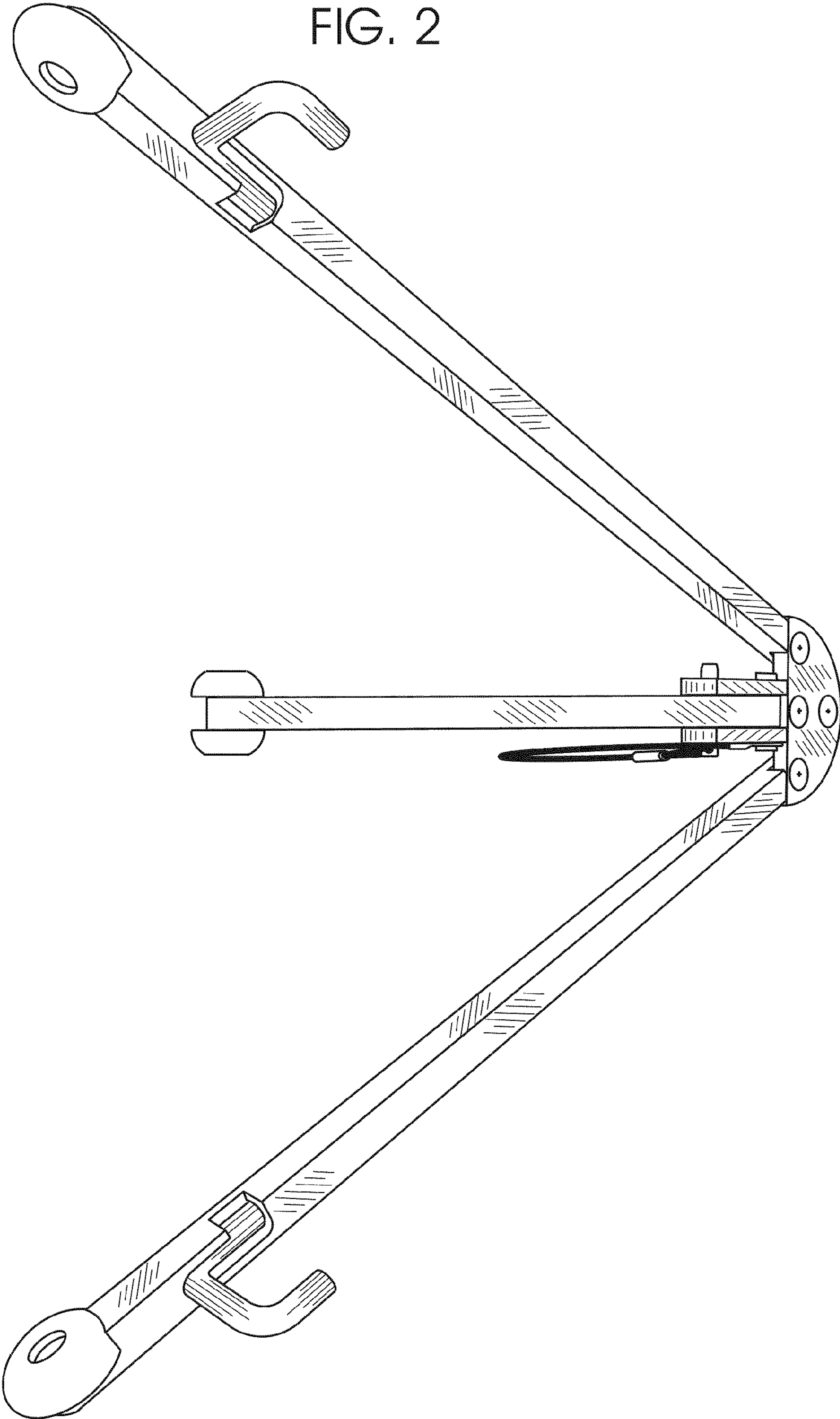


FIG. 3

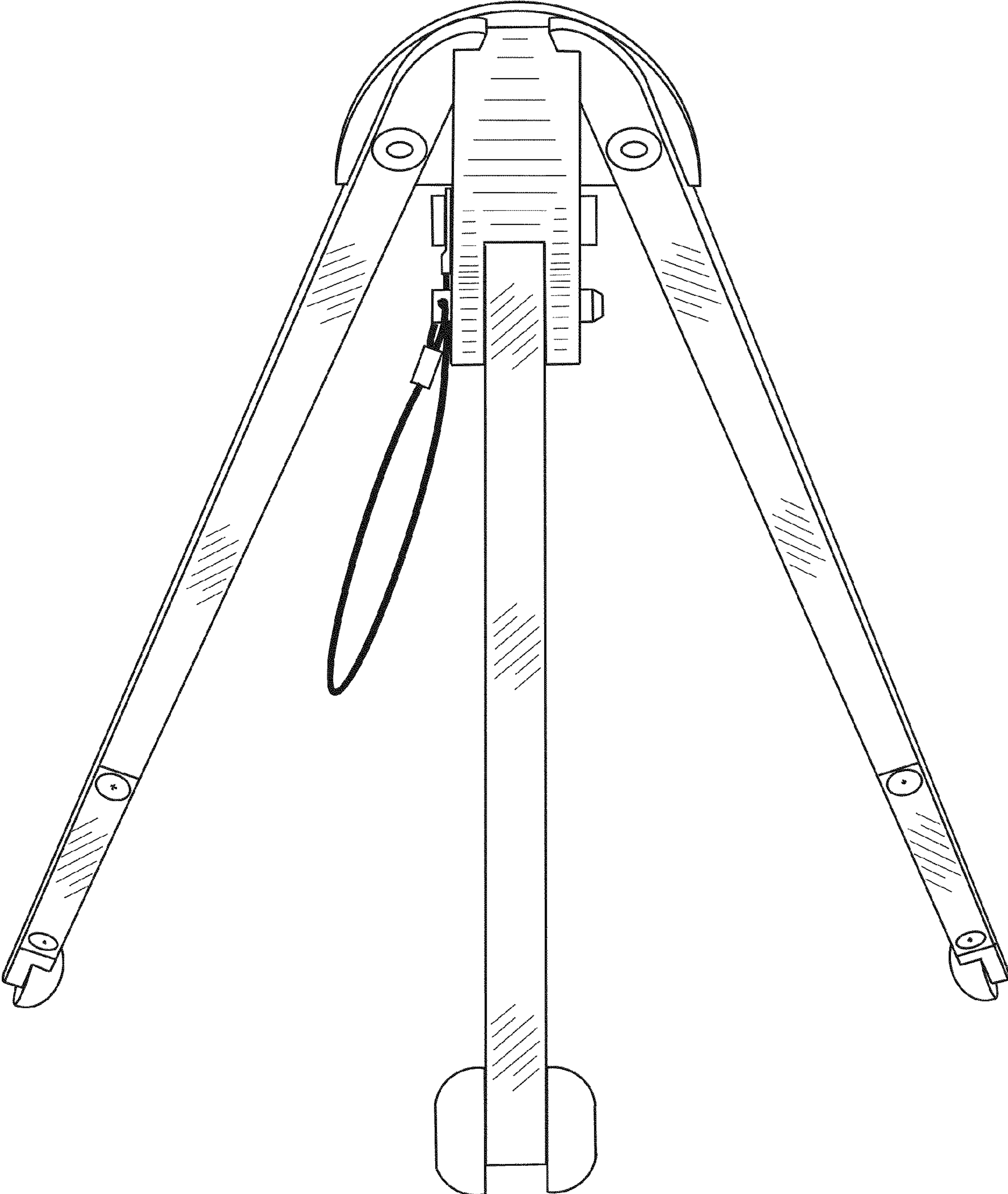


FIG. 4

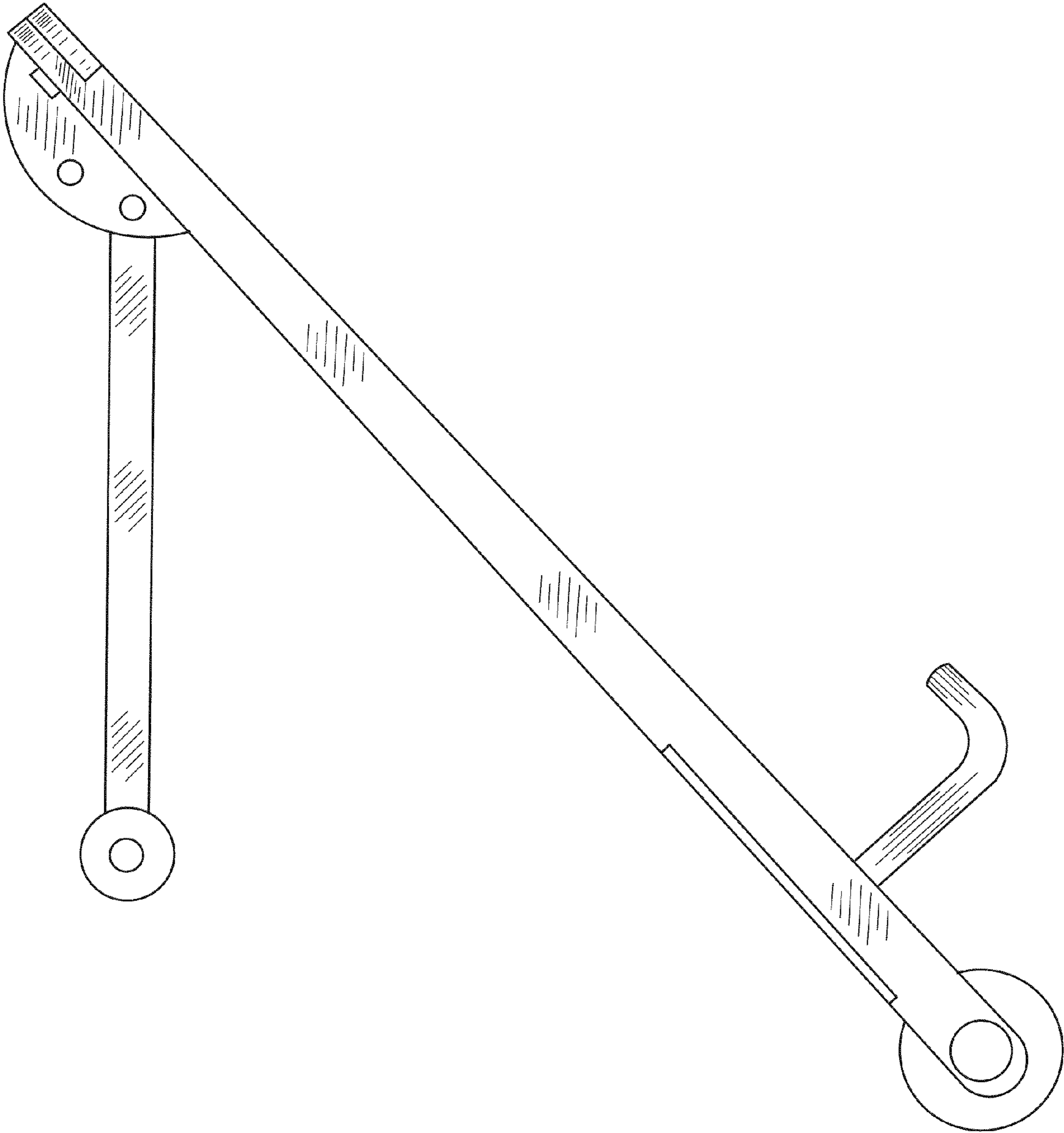


FIG. 5

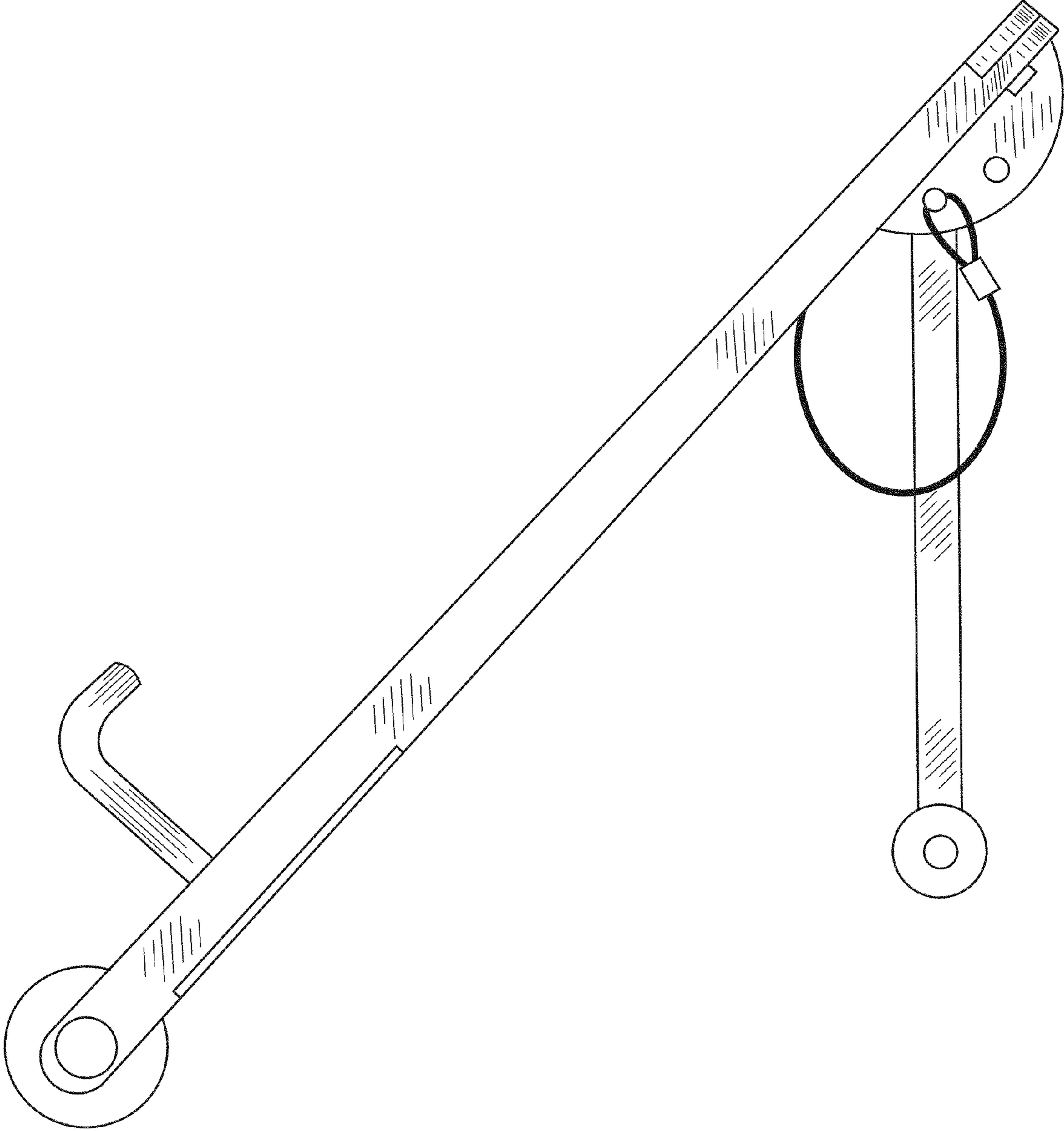


FIG. 6

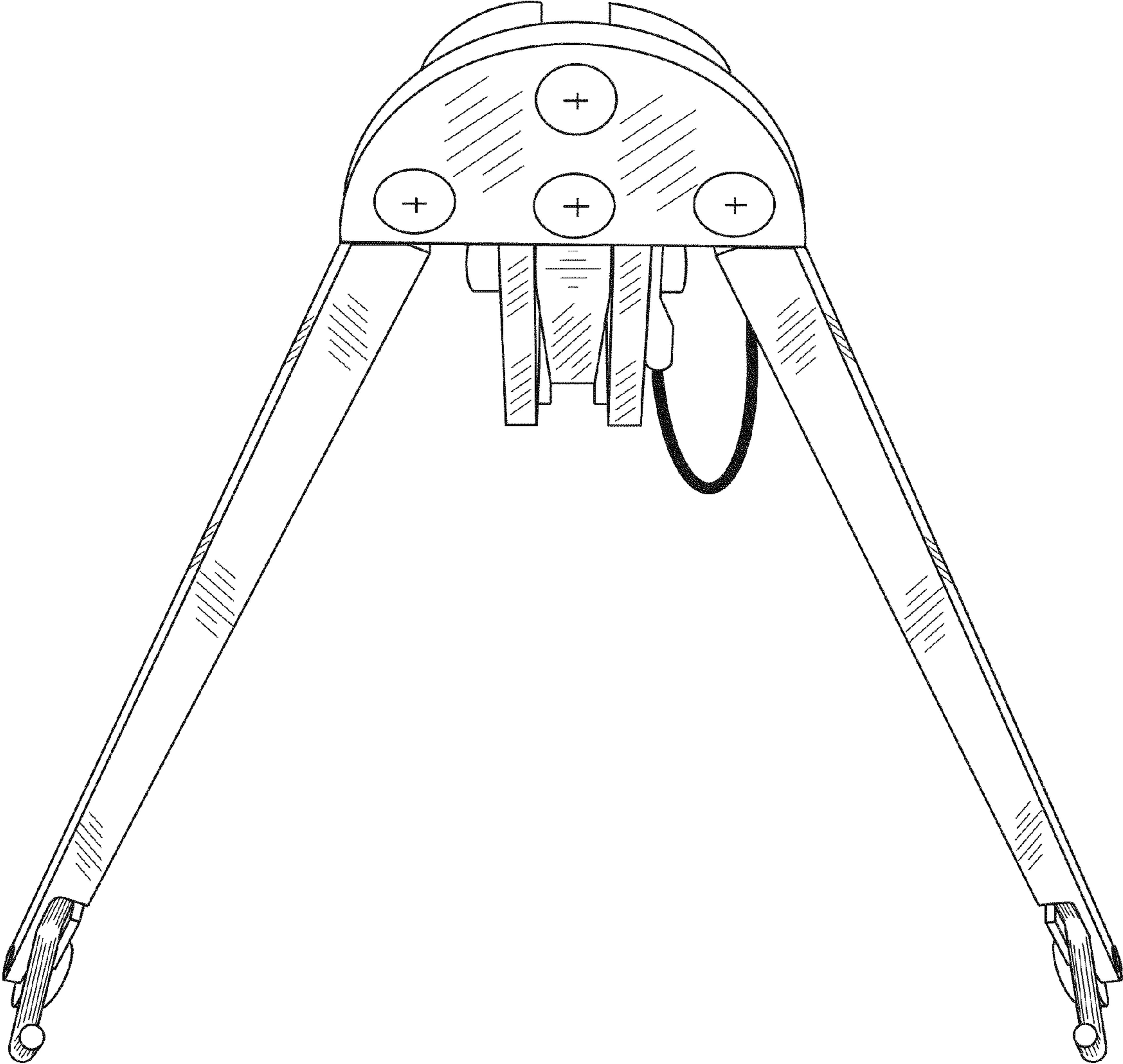


FIG. 7

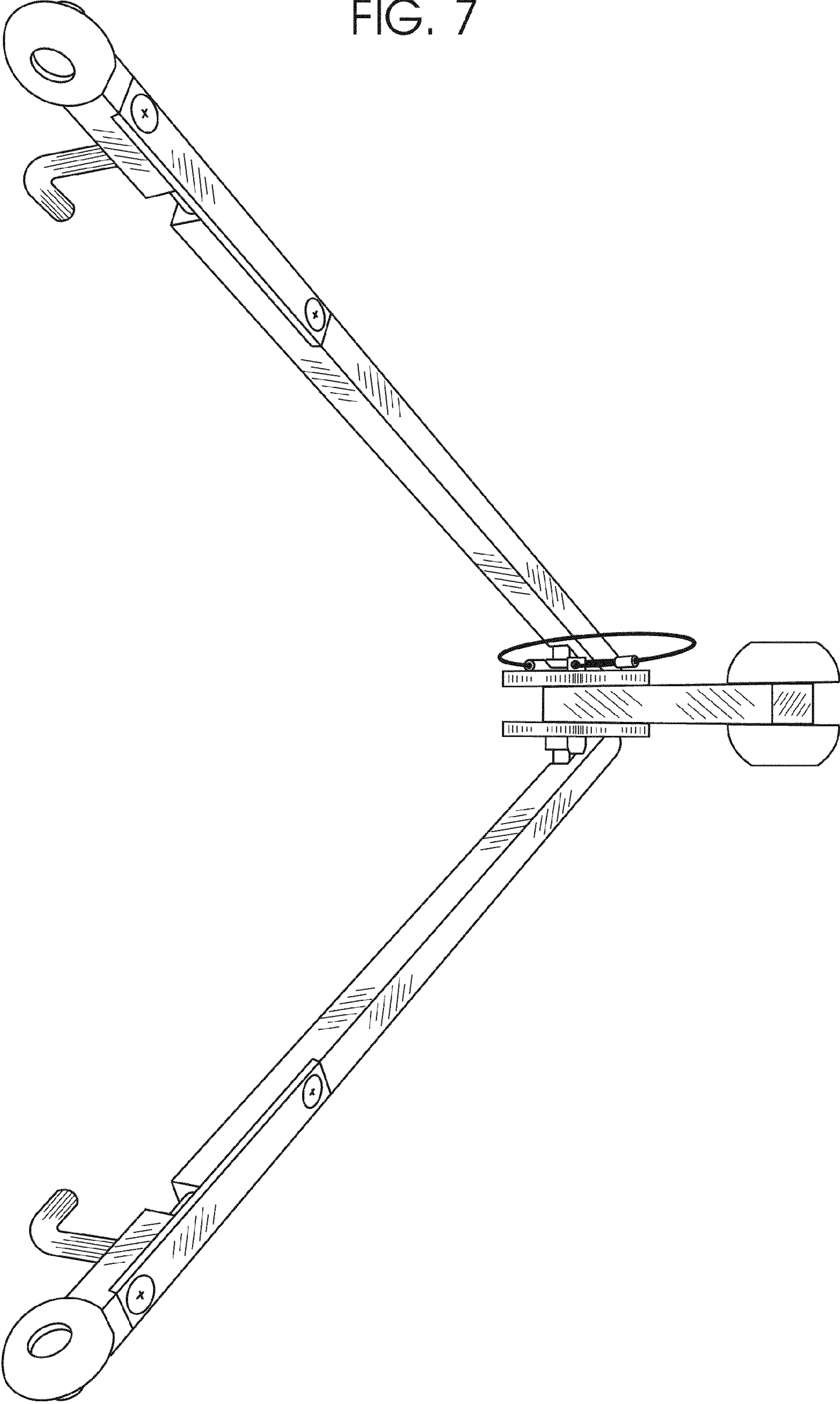


FIG. 8

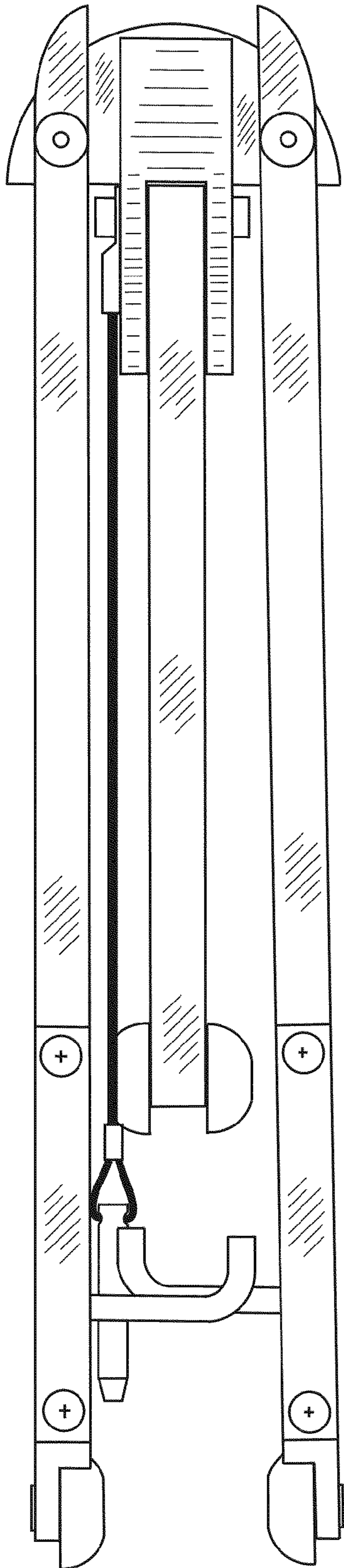


FIG. 9

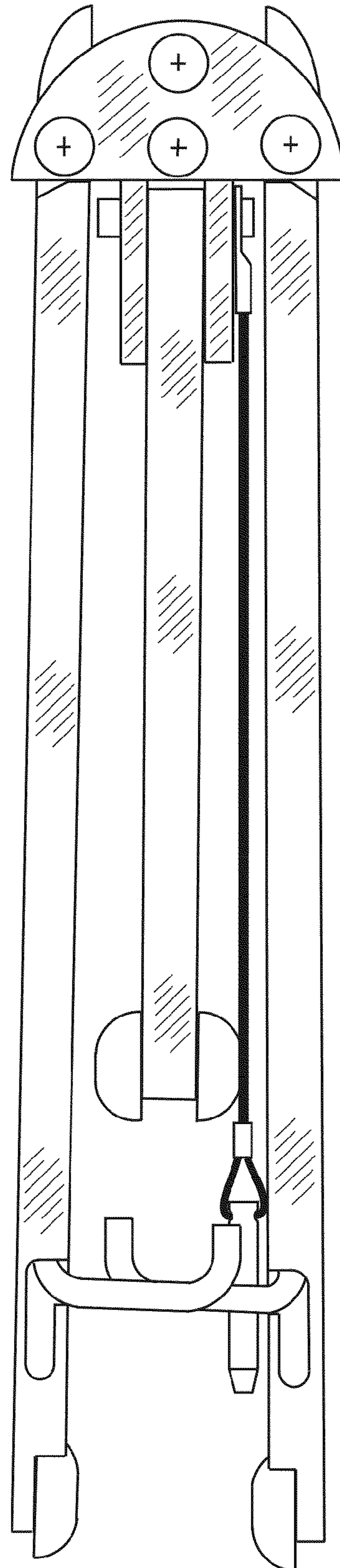


FIG. 10

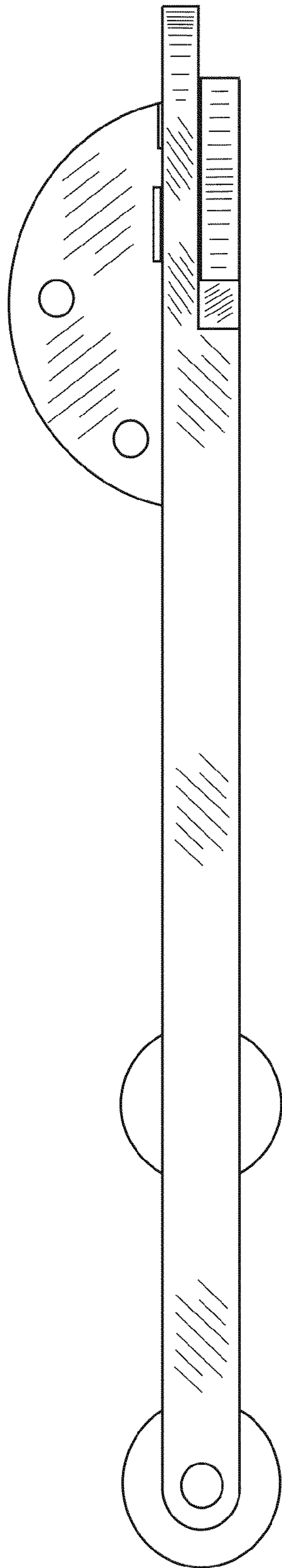


FIG. 11

