

US00D620940S

(12) **United States Design Patent**  
**Claussen**

(10) **Patent No.:** **US D620,940 S**

(45) **Date of Patent:** **\*\* Aug. 3, 2010**

(54) **VIDEO GAME CONTROLLER**

(76) Inventor: **Seth A. Claussen**, 5324 Poinsetta Ave.,  
Winter Park, FL (US) 32792

(\*\*) Term: **14 Years**

(21) Appl. No.: **29/352,973**

(22) Filed: **Dec. 30, 2009**

**Related U.S. Application Data**

(60) Continuation of application No. 29/342,439, filed on  
Aug. 25, 2009, now Pat. No. Des. 610,144, which is a  
division of application No. 29/323,654, filed on Aug.  
28, 2008, now Pat. No. Des. 601,149.

(51) **LOC (9) Cl.** ..... **14-02**

(52) **U.S. Cl.** ..... **D14/401; D21/333**

(58) **Field of Classification Search** ..... D14/217,  
D14/218, 356, 388, 399-401, 412-416, 432,  
D14/434, 454-457, 496; D21/324, 332,  
D21/333; 463/1, 30, 36-38, 46, 47; 345/156-161,  
345/905; 273/148 B, 148 R

See application file for complete search history.

(56) **References Cited**

**U.S. PATENT DOCUMENTS**

D424,047 S	5/2000	Chan
D434,769 S	12/2000	Goto
6,184,869 B1	2/2001	Harding et al.
D443,617 S	6/2001	Goto
D443,877 S	6/2001	Goto
6,394,904 B1	5/2002	Stalker
D465,221 S	11/2002	Hussaini et al.
D469,436 S	1/2003	Hussaini et al.
D469,766 S	2/2003	Hussaini et al.
D469,767 S	2/2003	Hussaini et al.
D491,183 S	6/2004	Swan et al.
D522,011 S	5/2006	Hayes et al.
D547,763 S	7/2007	Hayes et al.
D578,167 S	10/2007	Harris
D562,323 S	2/2008	Kutaragi et al.
D571,368 S	6/2008	Salter

D572,254 S	7/2008	Goto
D581,422 S	11/2008	Hayes et al.
2004/0041787 A1	3/2004	Graves
2005/0215321 A1	9/2005	Hussaini et al.
2006/0084504 A1	4/2006	Chan et al.
2007/0087837 A1	4/2007	Bradbury et al.

**FOREIGN PATENT DOCUMENTS**

GB 2 244 546 A 12/1991

**OTHER PUBLICATIONS**

“66-MHz PowerPC 603 processor, a quat-speed CD-ROM drive, and two serial connectors” found at <http://www.byte.com/art/9603/img/036covf1.htm>, CMP Media, LLC © 2005 (2 pages).

“Bandai Pippin Hardware and Software Information” found at <http://macgeek.org/museum/pippin/information.html>, Pearl City Networks, © 1997-2006 (2 pages).

“Bandai Pippin Image Archive” found at <http://macgeek.org/museum/pippin/photoalbum.html>, Pearl City Networks, ©1997-2006, (3 pages).

“Trackball Controllers for Xbox and PlayStation” found at <http://web.archive.org/web/20040924055123/trackball.modwest.com>, (2 pages).

“Gravis PC GamePad” found at [http://en.wikipedia.org/wiki/Gravis\\_PC\\_GamePad](http://en.wikipedia.org/wiki/Gravis_PC_GamePad), Wikimedia Foundation, Inc., Mar. 2004,(1 page).

*Primary Examiner*—Stella M Reid

*Assistant Examiner*—Keli L Hill

(74) *Attorney, Agent, or Firm*—Price, Heneveld, Cooper, DeWitt & Litton, LLP

(57) **CLAIM**

I claim the ornamental design for a video game controller, as shown and described.

**DESCRIPTION**

FIG. 1 is a top and back perspective view of a video game controller, in accordance with a first embodiment of the present invention;

FIG. 2 is a top plan view of a video game controller, in accordance with a first embodiment of the present invention;

FIG. 3 is a bottom plan view of a video game controller, in accordance with a first embodiment of the present invention;

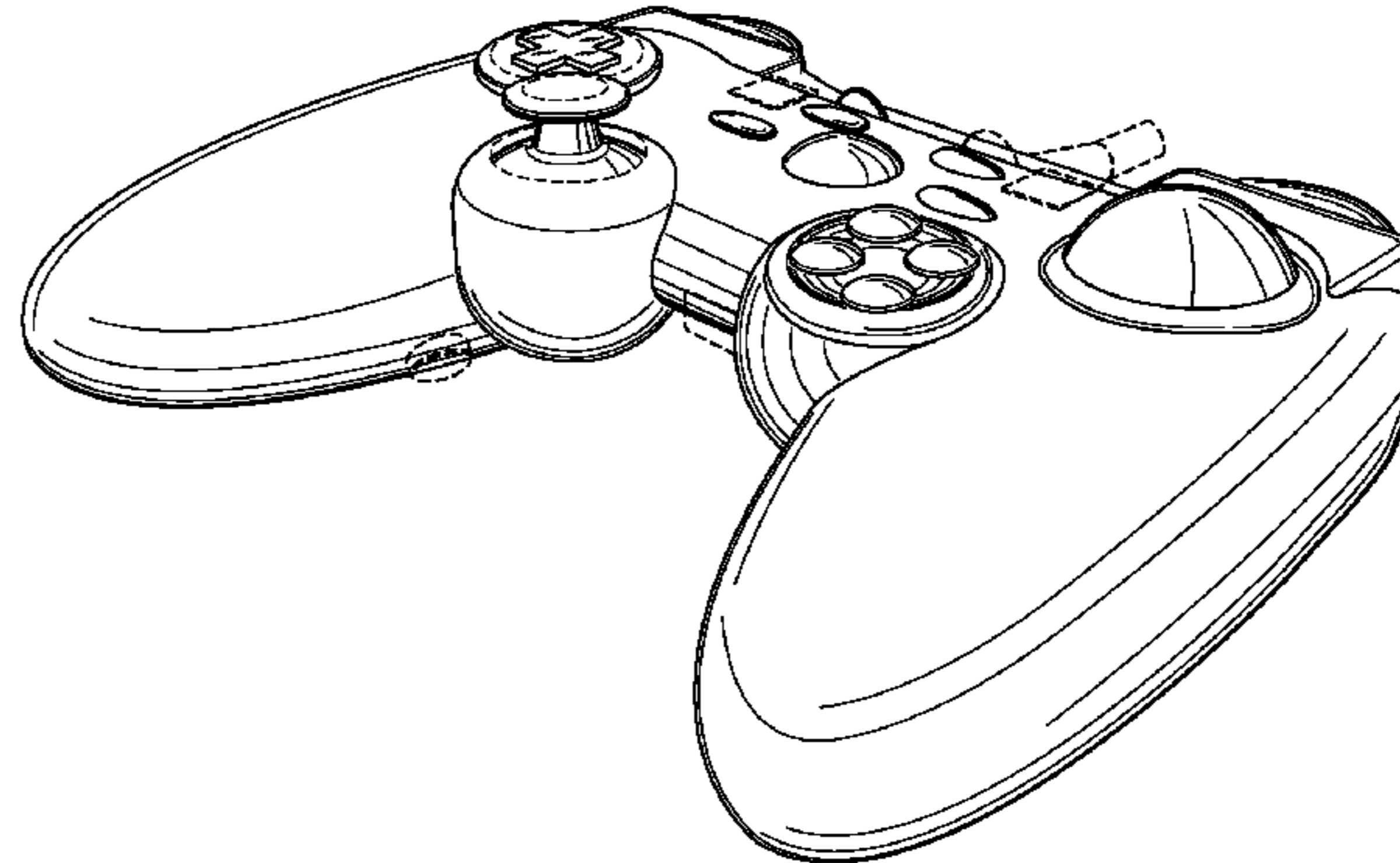
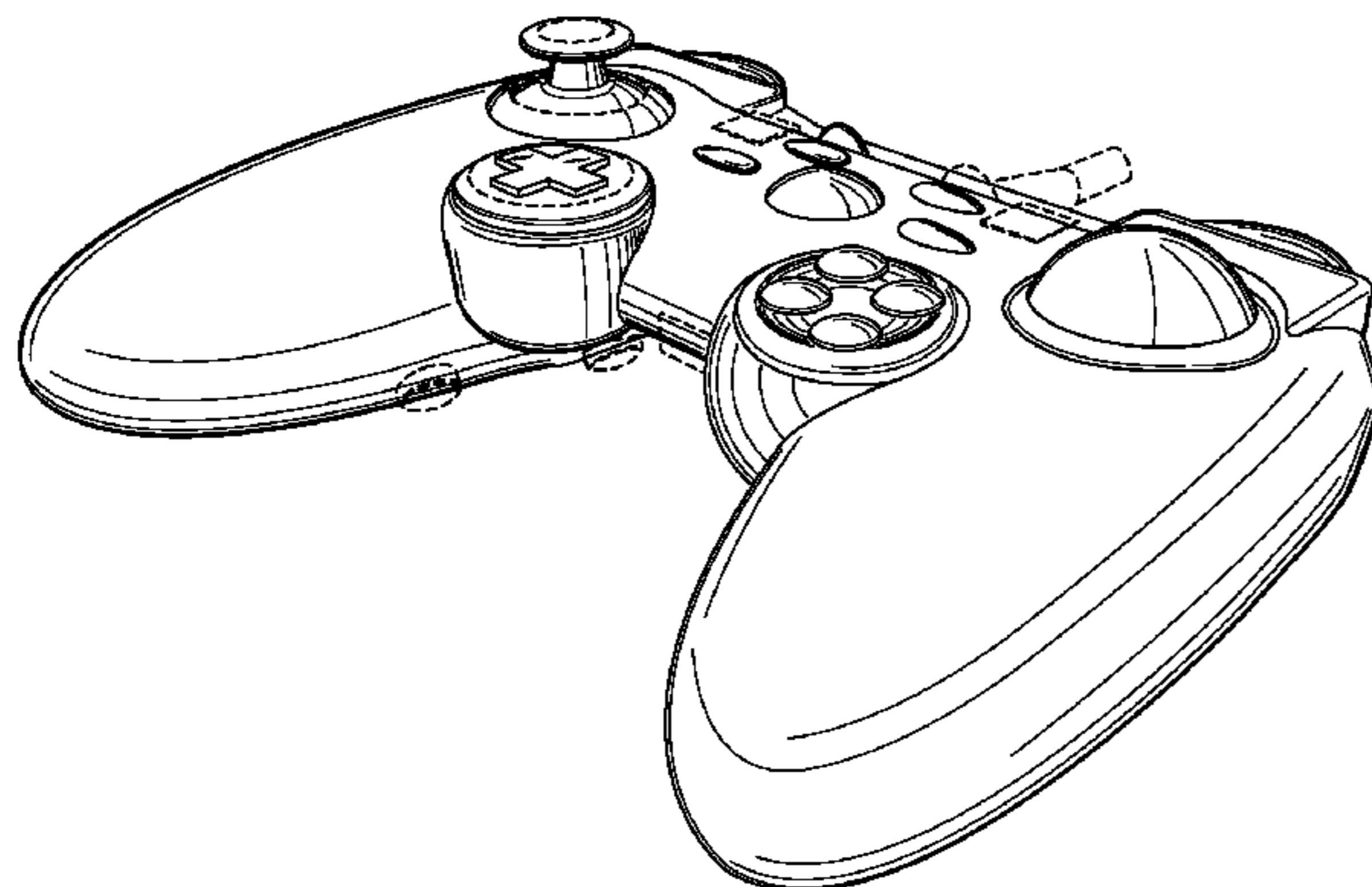


FIG. 4 is a front plan view of a video game controller, in accordance with a first embodiment of the present invention;

FIG. 5 is a back plan view of a video game controller, in accordance with a first embodiment of the present invention;

FIG. 6 is a side plan view of a video game controller, in accordance with a first embodiment of the present invention;

FIG. 7 is a side plan view of a video game controller, in accordance with a first embodiment of the present invention;

FIG. 8 is a top and back perspective view of a video game controller, in accordance with a second embodiment of the present invention;

FIG. 9 is a top plan view of a video game controller, in accordance with a second embodiment of the present invention;

FIG. 10 is a bottom plan view of a video game controller, in accordance with a second embodiment of the present invention;

FIG. 11 is a front plan view of a video game controller, in accordance with a second embodiment of the present invention;

FIG. 12 is a back plan view of a video game controller, in accordance with a second embodiment of the present invention;

FIG. 13 is a side plan view of a video game controller, in accordance with a second embodiment of the present invention; and,

FIG. 14 is a side plan view of a video game controller, in accordance with a second embodiment of the present invention.

The broken lines represent the portions of the design that form no part of the claim.

**1 Claim, 6 Drawing Sheets**

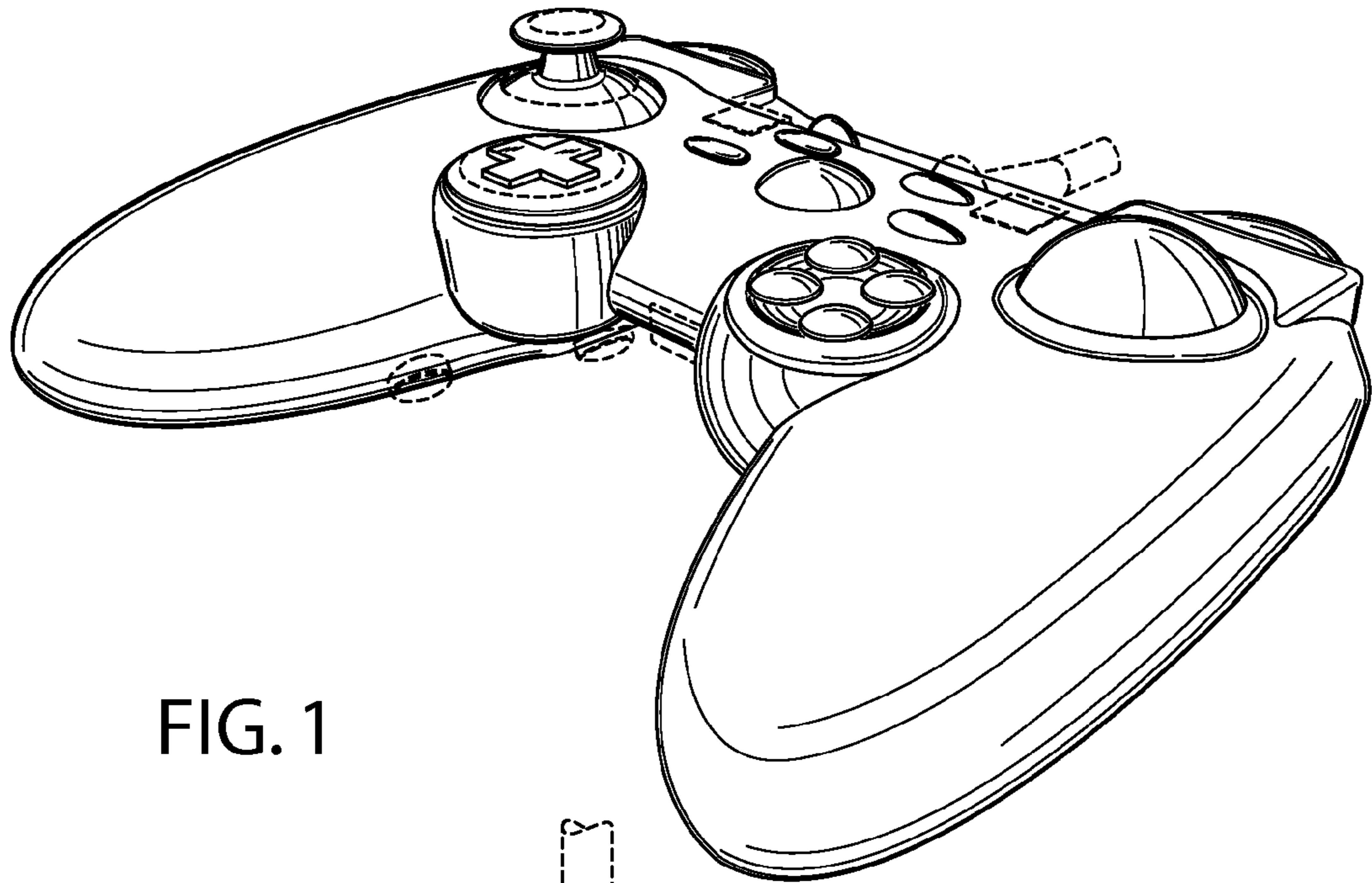


FIG. 1

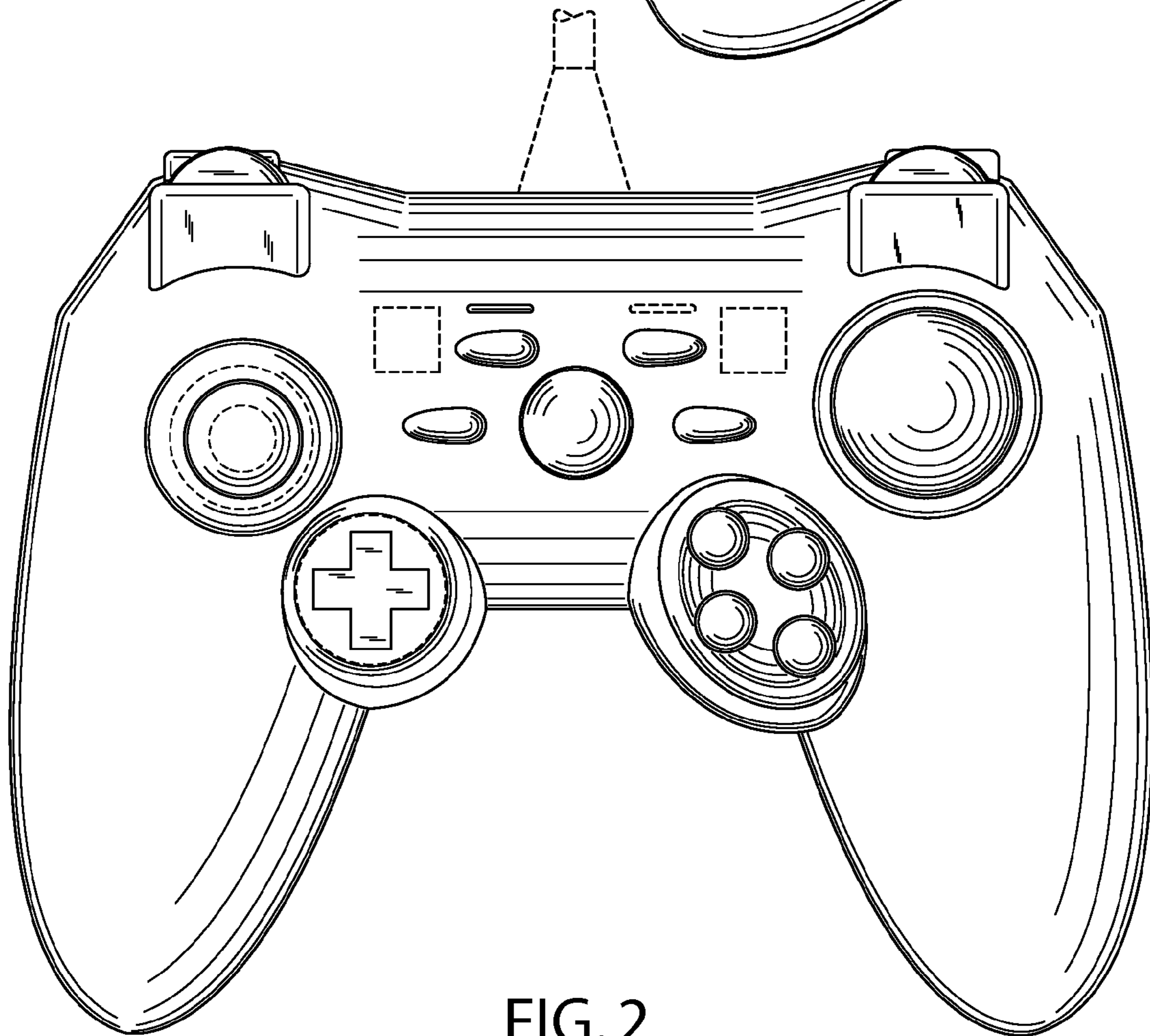


FIG. 2

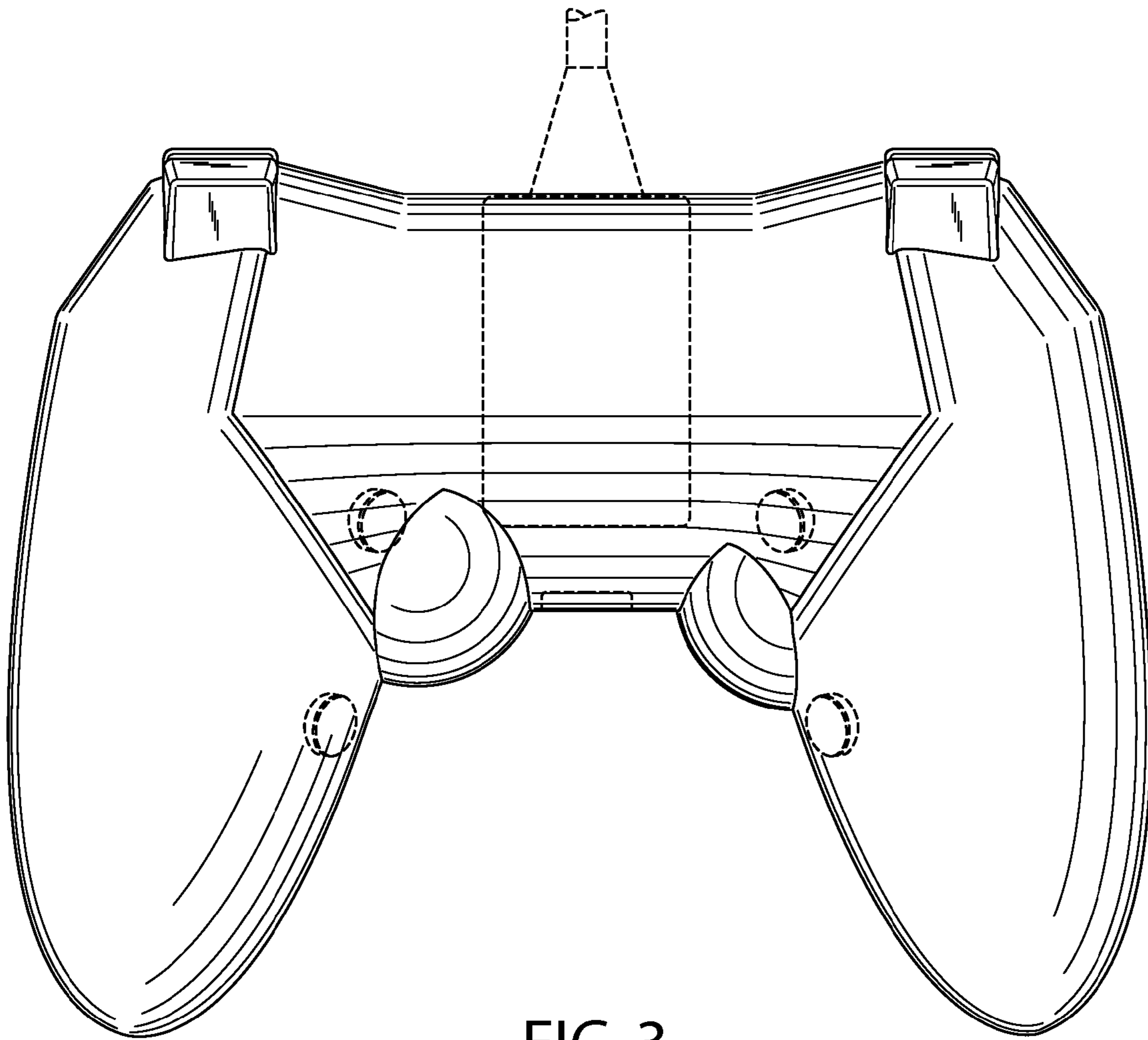


FIG. 3

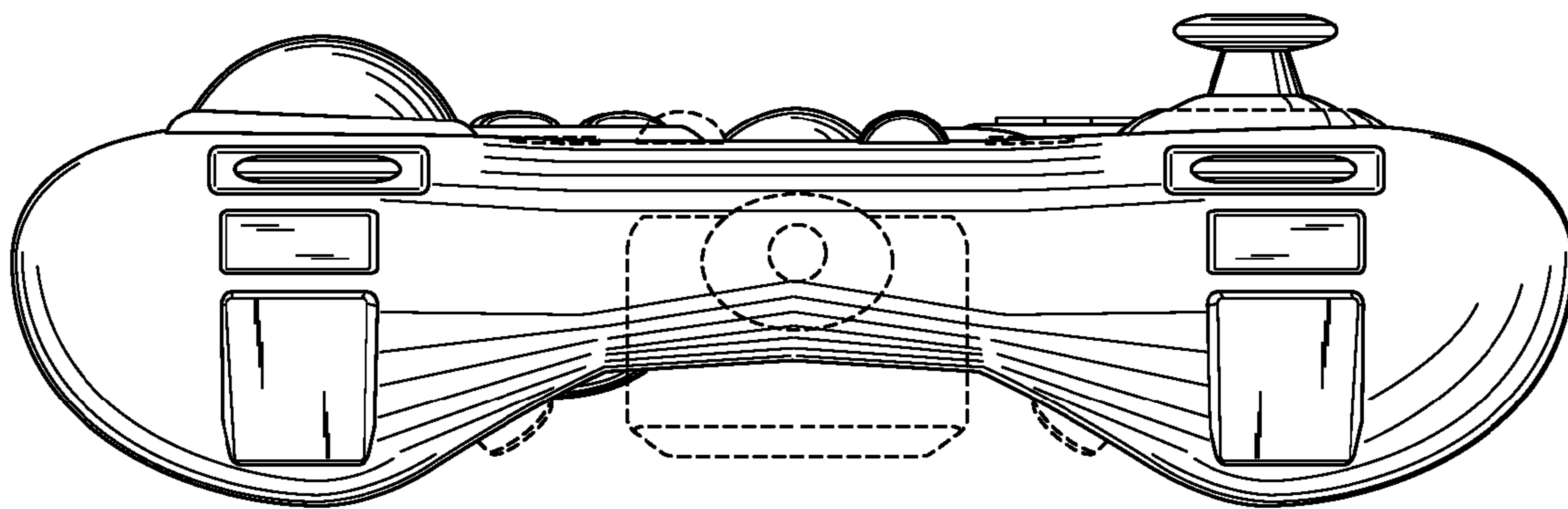


FIG. 4

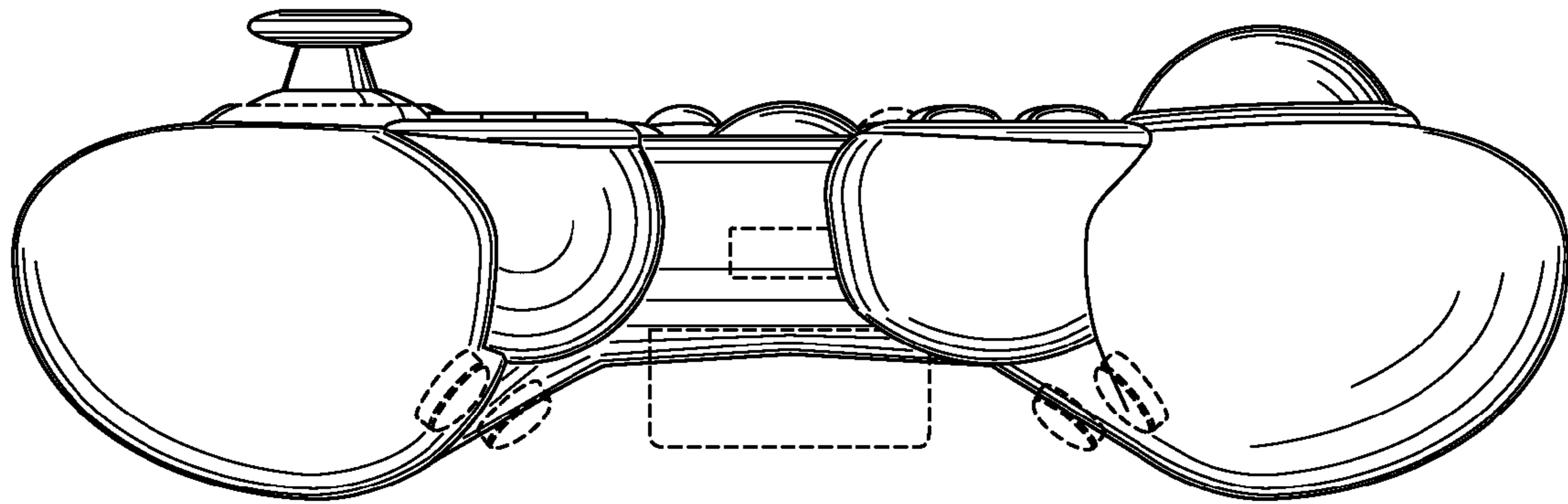


FIG. 5

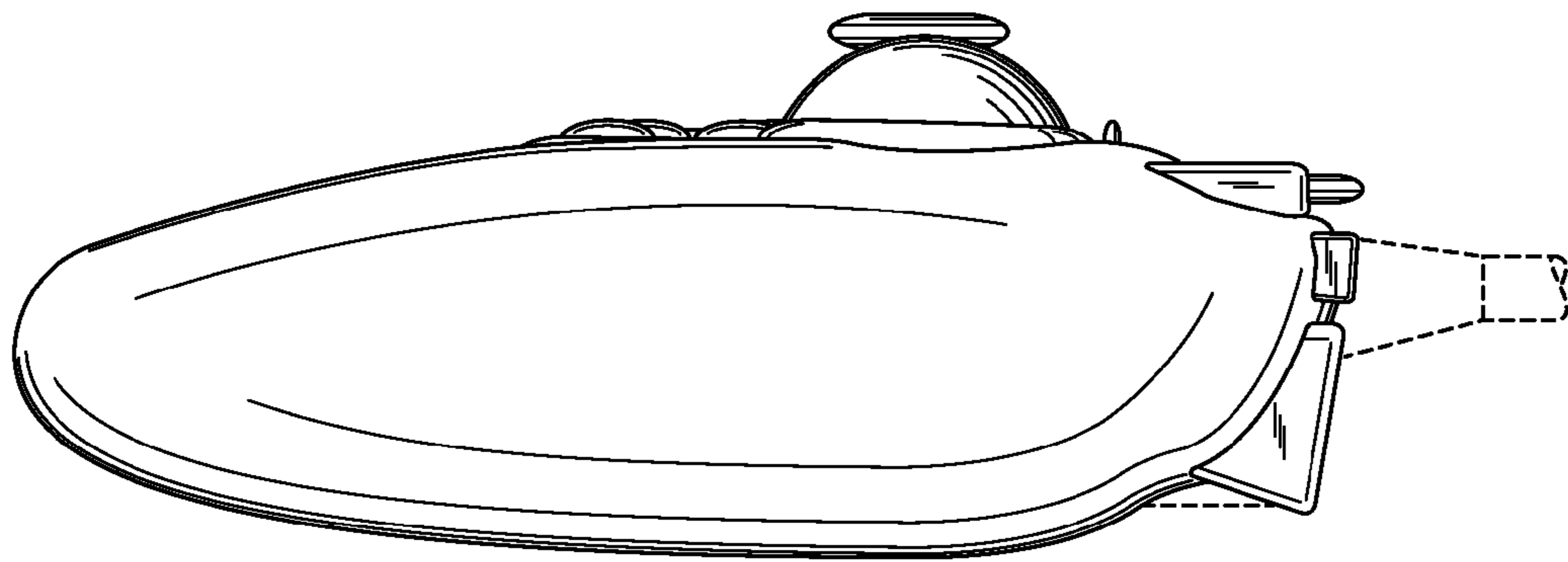


FIG. 6

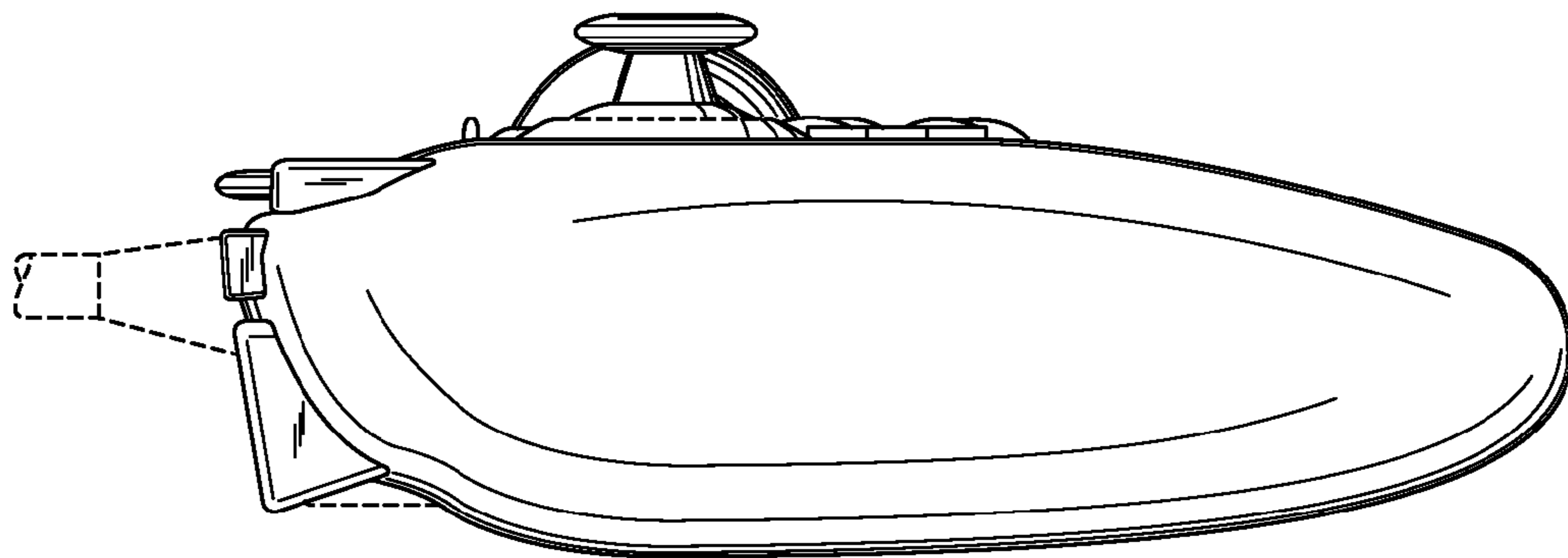


FIG. 7

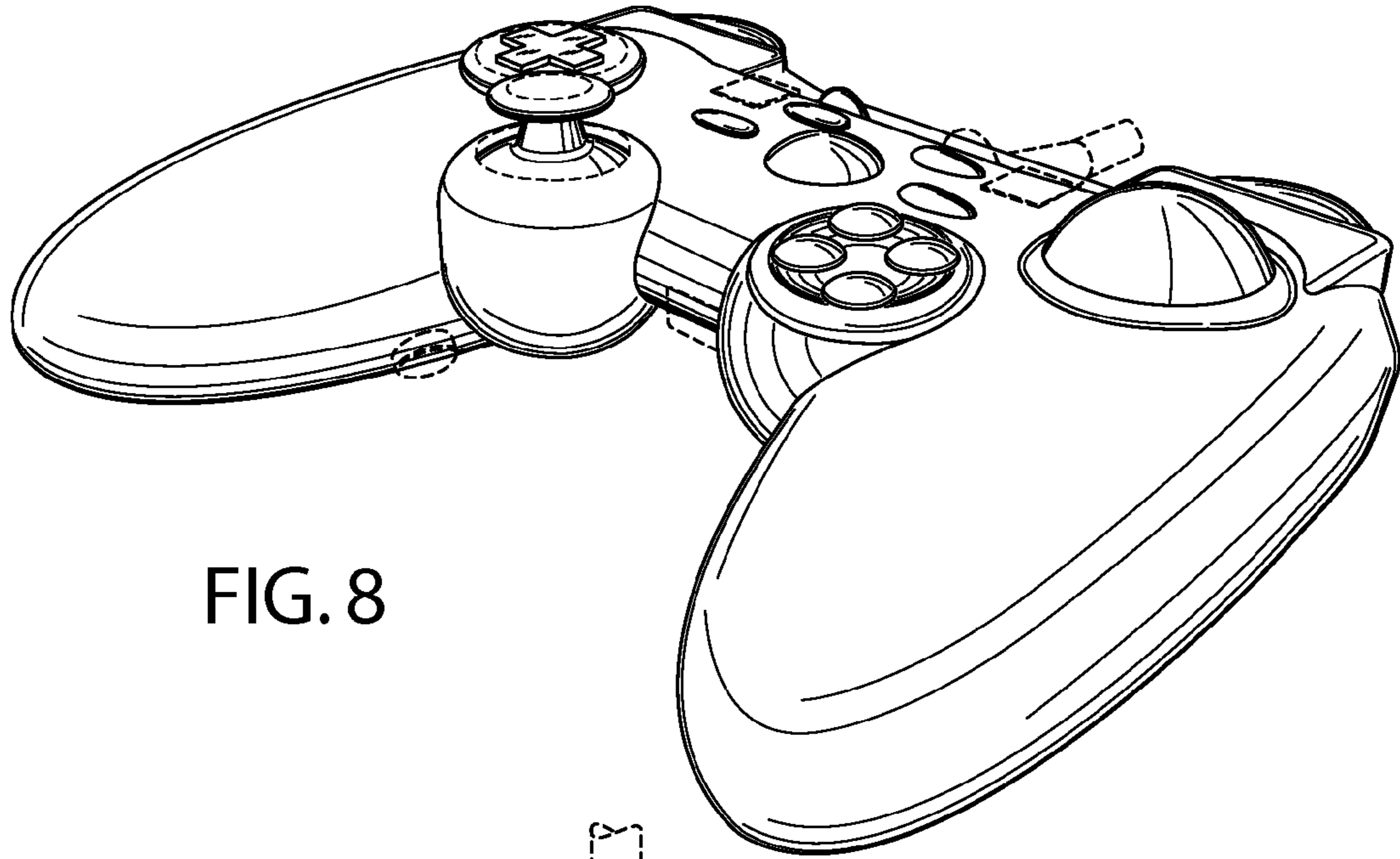


FIG. 8

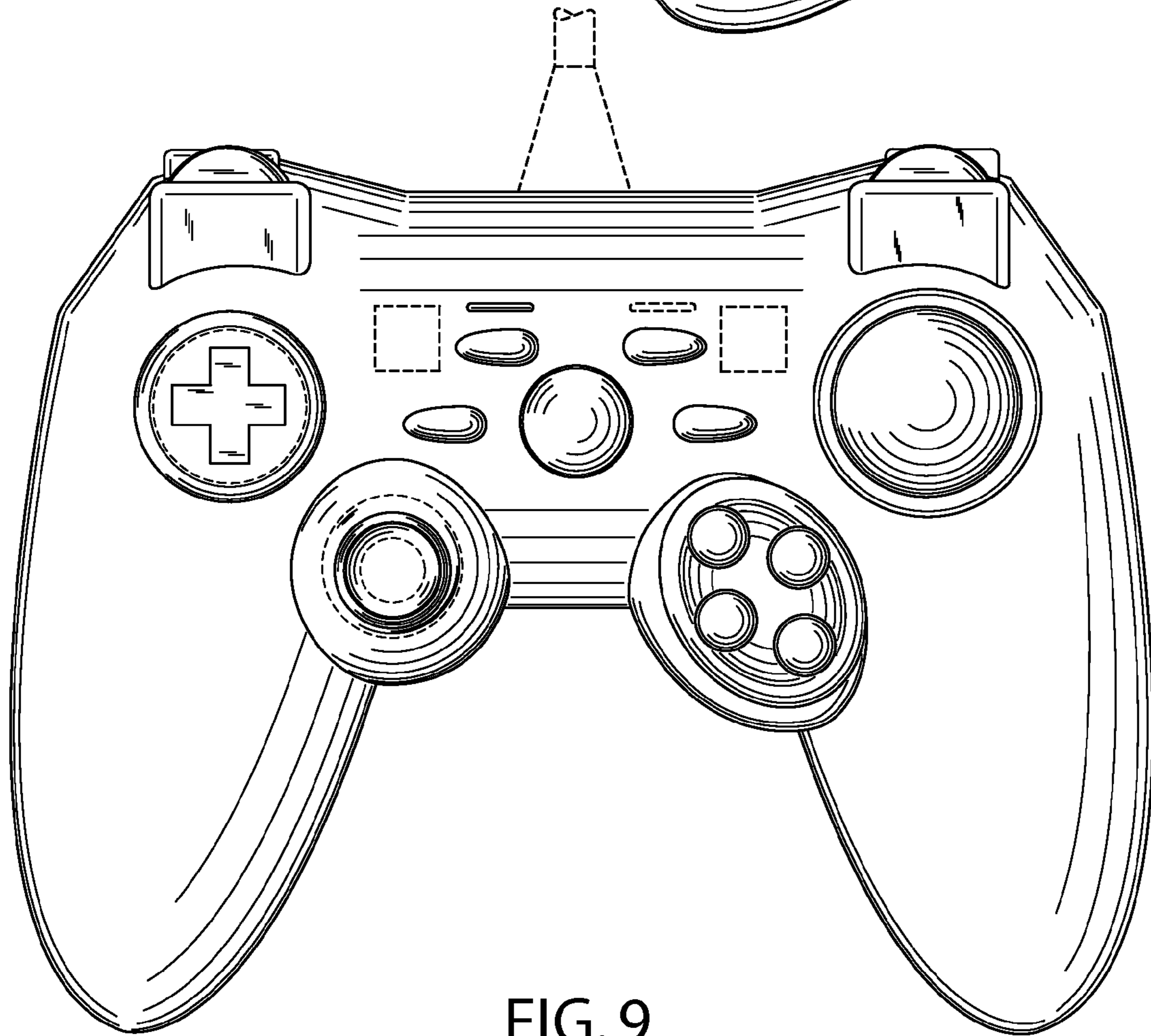


FIG. 9

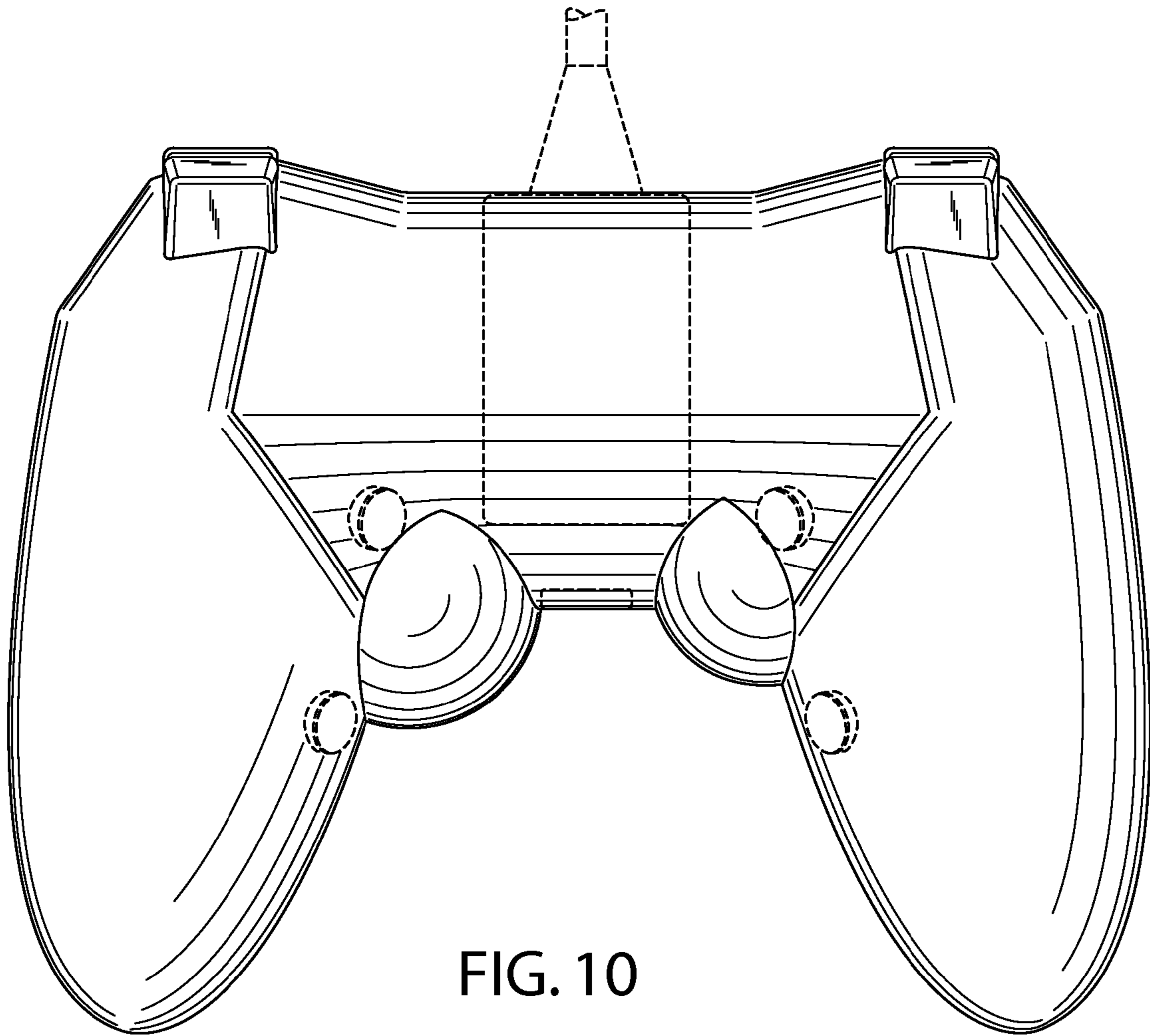


FIG. 10

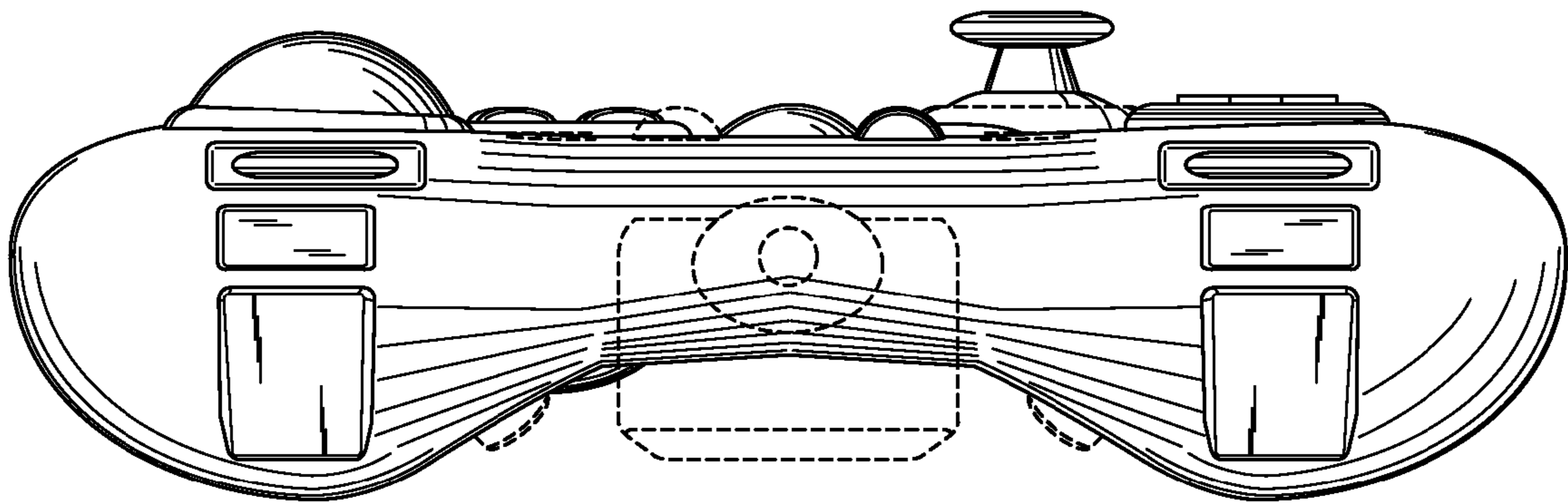


FIG. 11

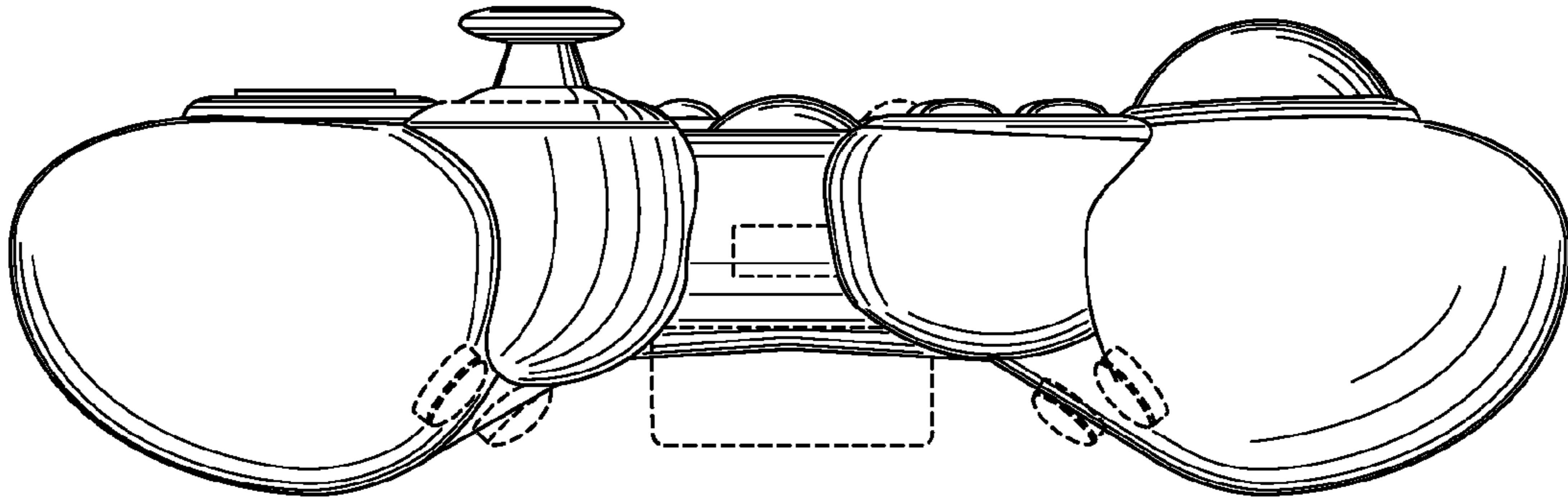


FIG. 12

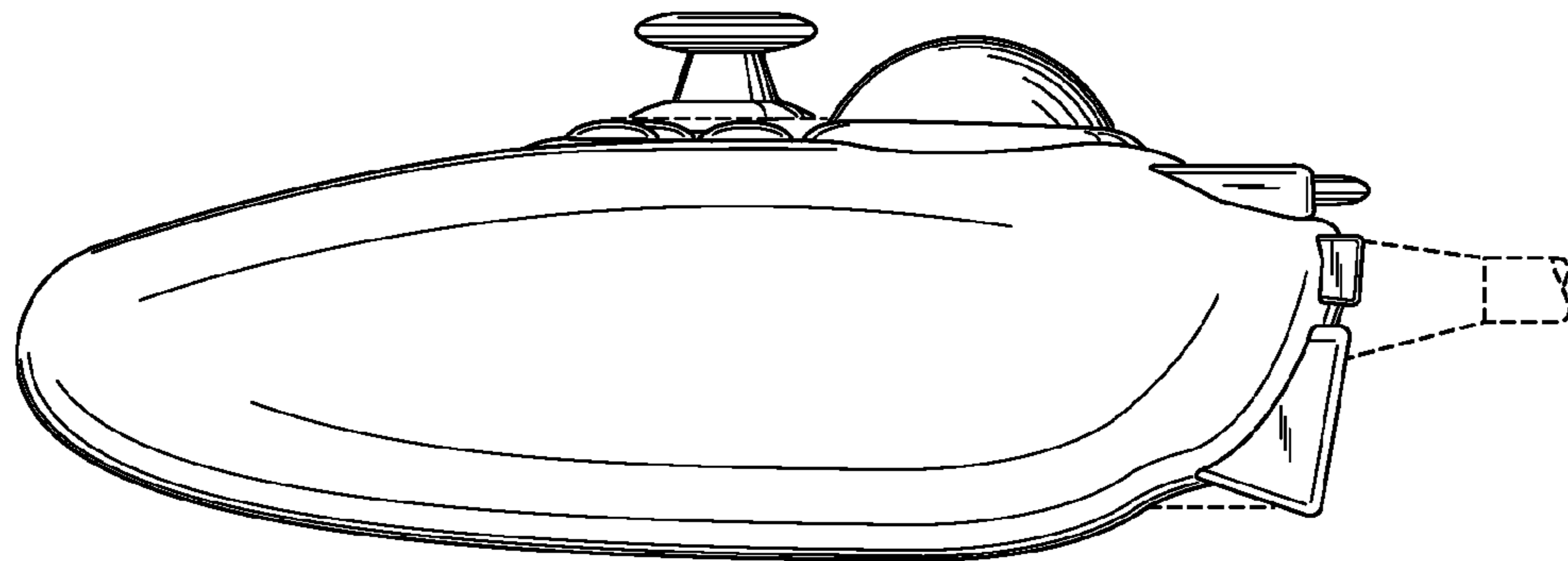


FIG. 13

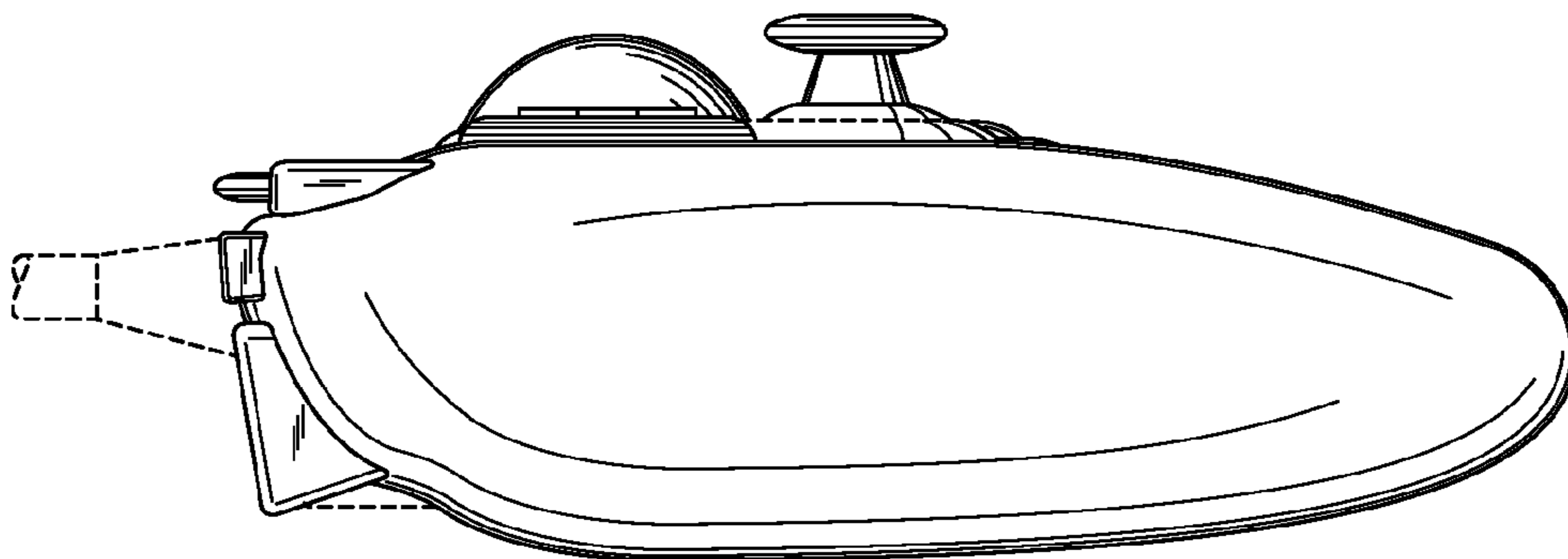


FIG. 14