



US00D620933S

(12) **United States Design Patent**
Ludlum et al.

(10) **Patent No.:** **US D620,933 S**

(45) **Date of Patent:** **** Aug. 3, 2010**

(54) **BUTTERFLY MONITOR**

(75) Inventors: **Wayne Ludlum**, Studio City, CA (US);
Christopher Glupker, Thousand Oaks,
CA (US); **Ravi Sawhney**, Thousand
Oaks, CA (US)

(73) Assignee: **Vestalife, LLC**, Encino, CA (US)

(**) Term: **14 Years**

(21) Appl. No.: **29/332,964**

(22) Filed: **Feb. 27, 2009**

(51) **LOC (9) Cl.** **14-02**

(52) **U.S. Cl.** **D14/371**

(58) **Field of Classification Search** D14/371-376,
D14/125-129, 336, 341, 132; 248/917-924,
248/121, 278.1; 341/12; 345/104, 156, 173,
345/174, 901-905; 348/180, 184, 325, 739,
348/837; 361/679.21; 349/1, 2, 11, 58
See application file for complete search history.

(56) **References Cited**

U.S. PATENT DOCUMENTS

D356,075 S * 3/1995 Paloyan et al. D14/398
D453,333 S * 2/2002 Chen D14/374
D464,050 S * 10/2002 Mori D14/375
D493,787 S * 8/2004 Avery D14/345

D496,042 S * 9/2004 Borsboom D14/371
D502,179 S * 2/2005 Cha et al. D14/375
D537,441 S * 2/2007 Bruker D14/341
D538,800 S * 3/2007 Zhang et al. D14/331
D538,801 S * 3/2007 Taylor D14/341
D585,399 S * 1/2009 Hwang D14/130
2005/0048457 A1 * 3/2005 Ferrigno et al. 434/308

* cited by examiner

Primary Examiner—Freda S Nunn

(74) *Attorney, Agent, or Firm*—Merchant & Gould P.C.

(57) **CLAIM**

The ornamental design for a butterfly monitor, as shown and described.

DESCRIPTION

FIG. 1 is a top, rear perspective view of a butterfly monitor wherein the stand is shown in the opened position;

FIG. 2 is a front elevational view thereof;

FIG. 3 is a rear elevational view thereof;

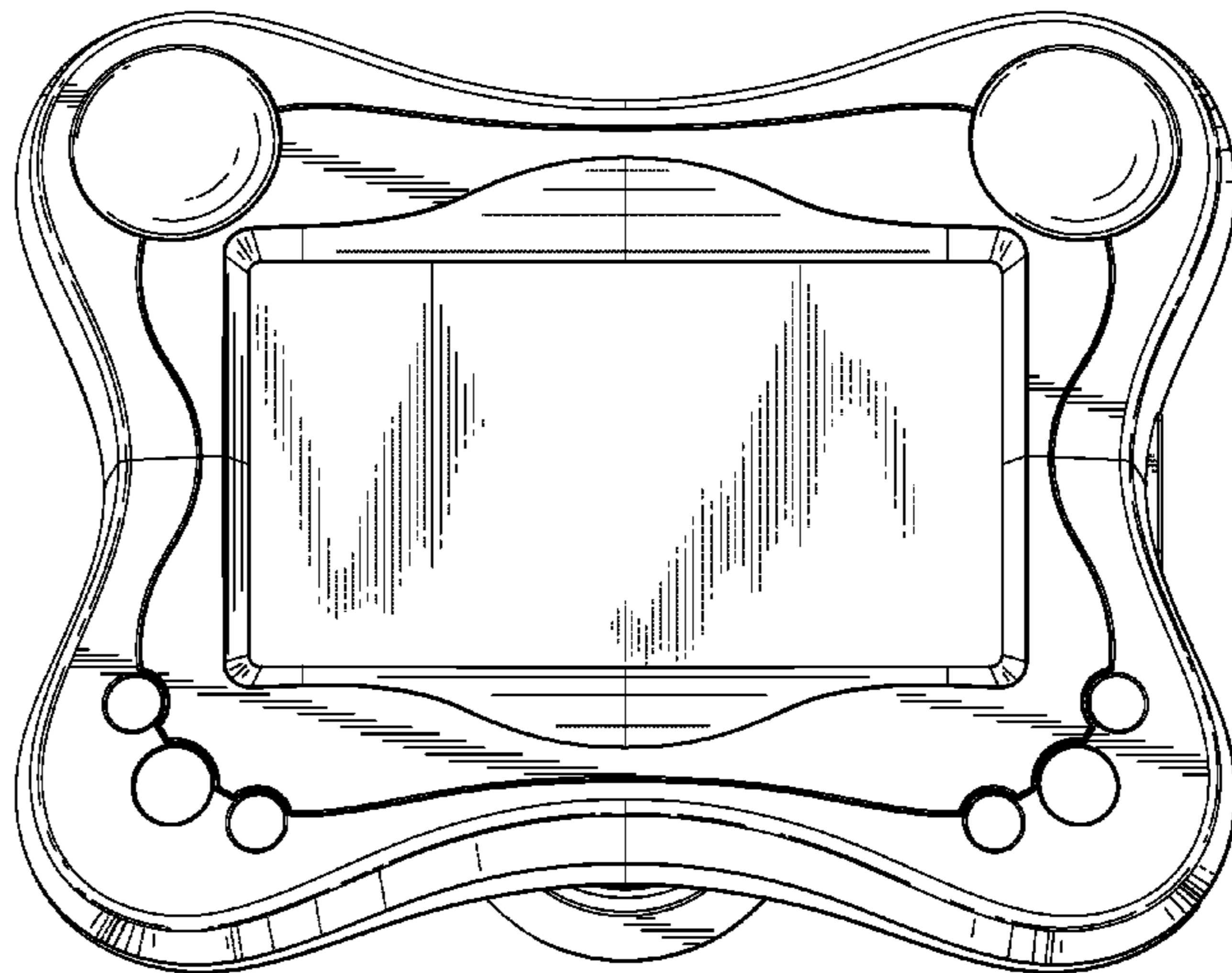
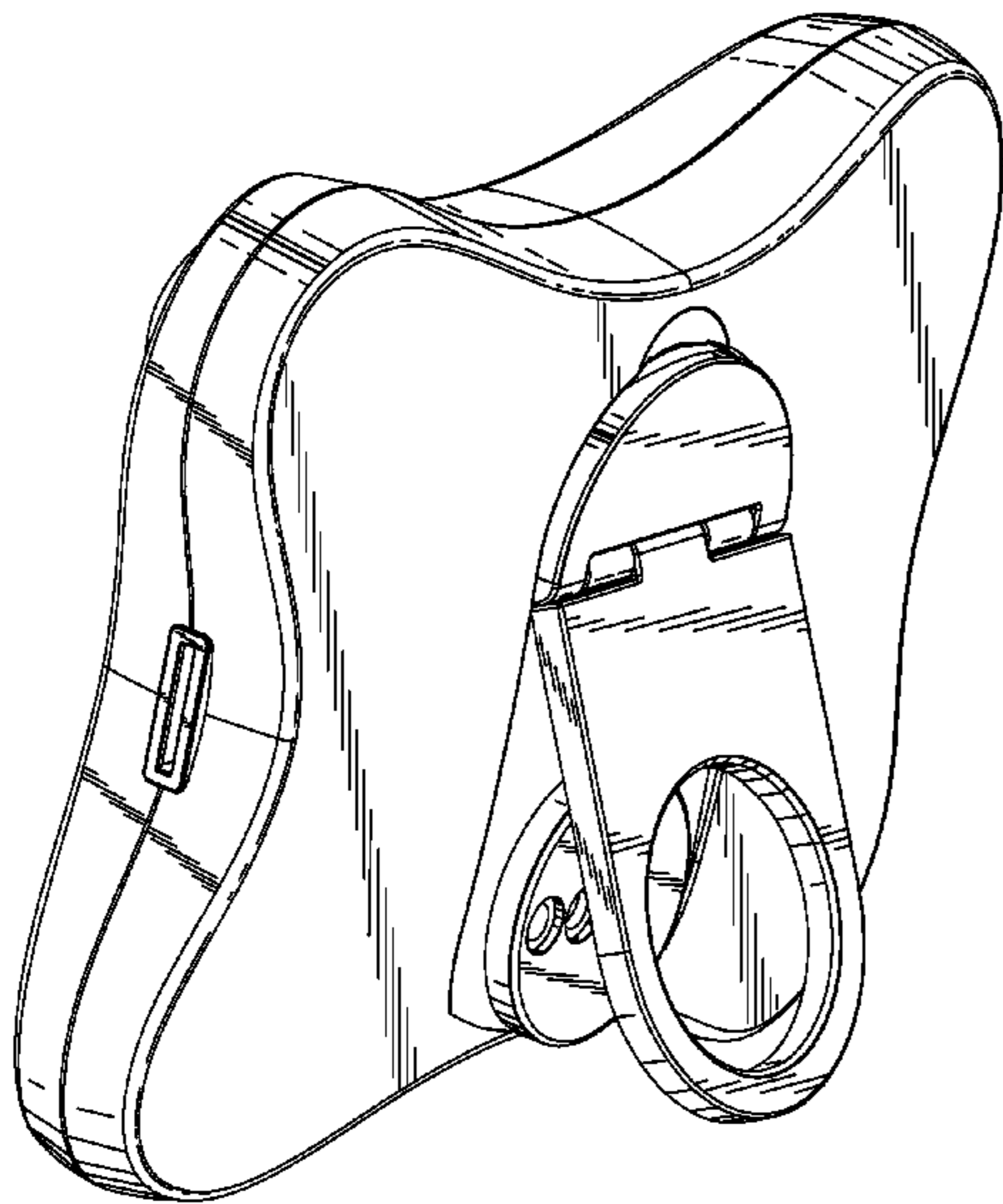
FIG. 4 is a right side elevational view thereof;

FIG. 5 is a left side elevational view thereof;

FIG. 6 is a top plan view thereof; and,

FIG. 7 is a bottom plan view thereof.

1 Claim, 7 Drawing Sheets



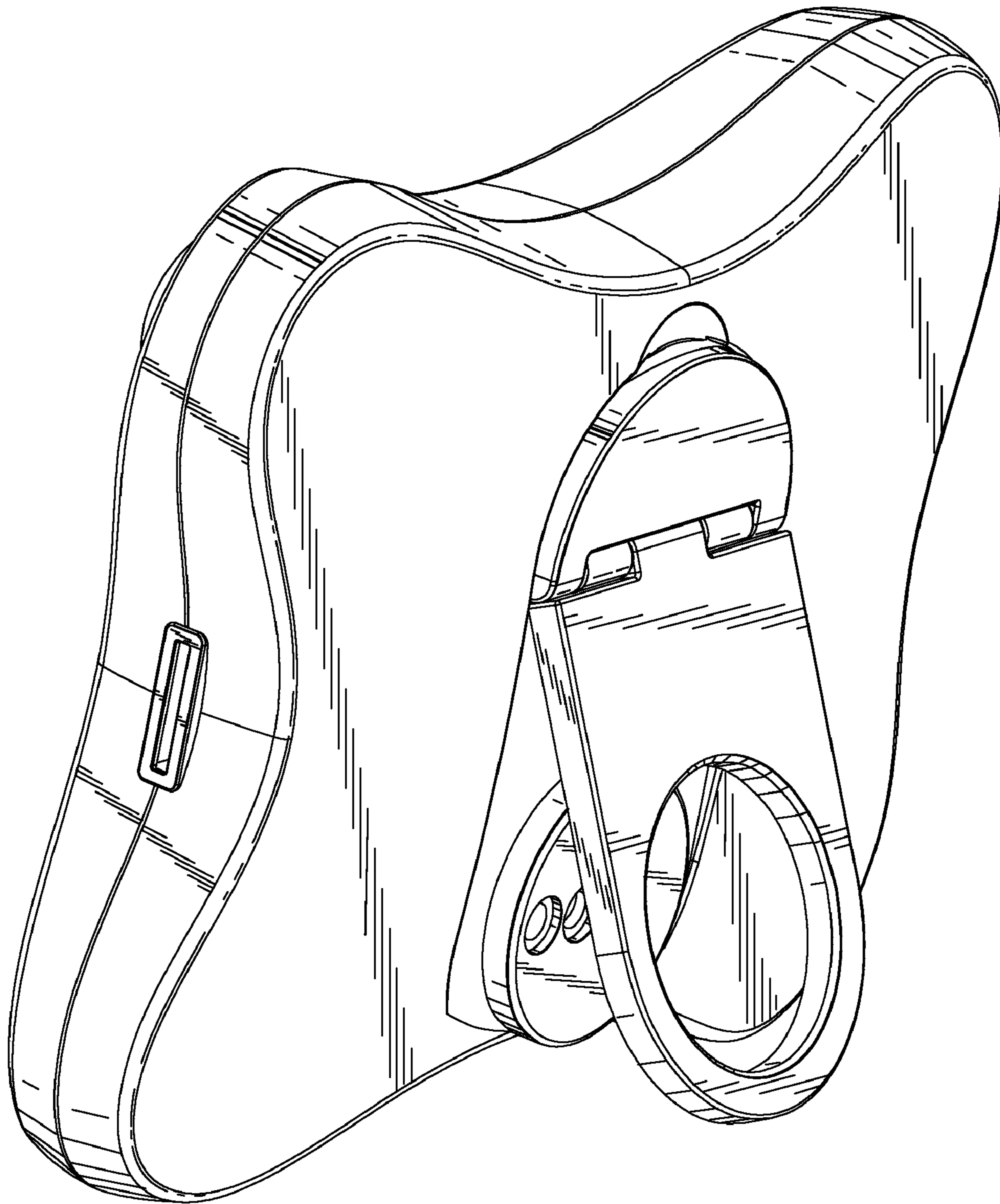


FIG. 1

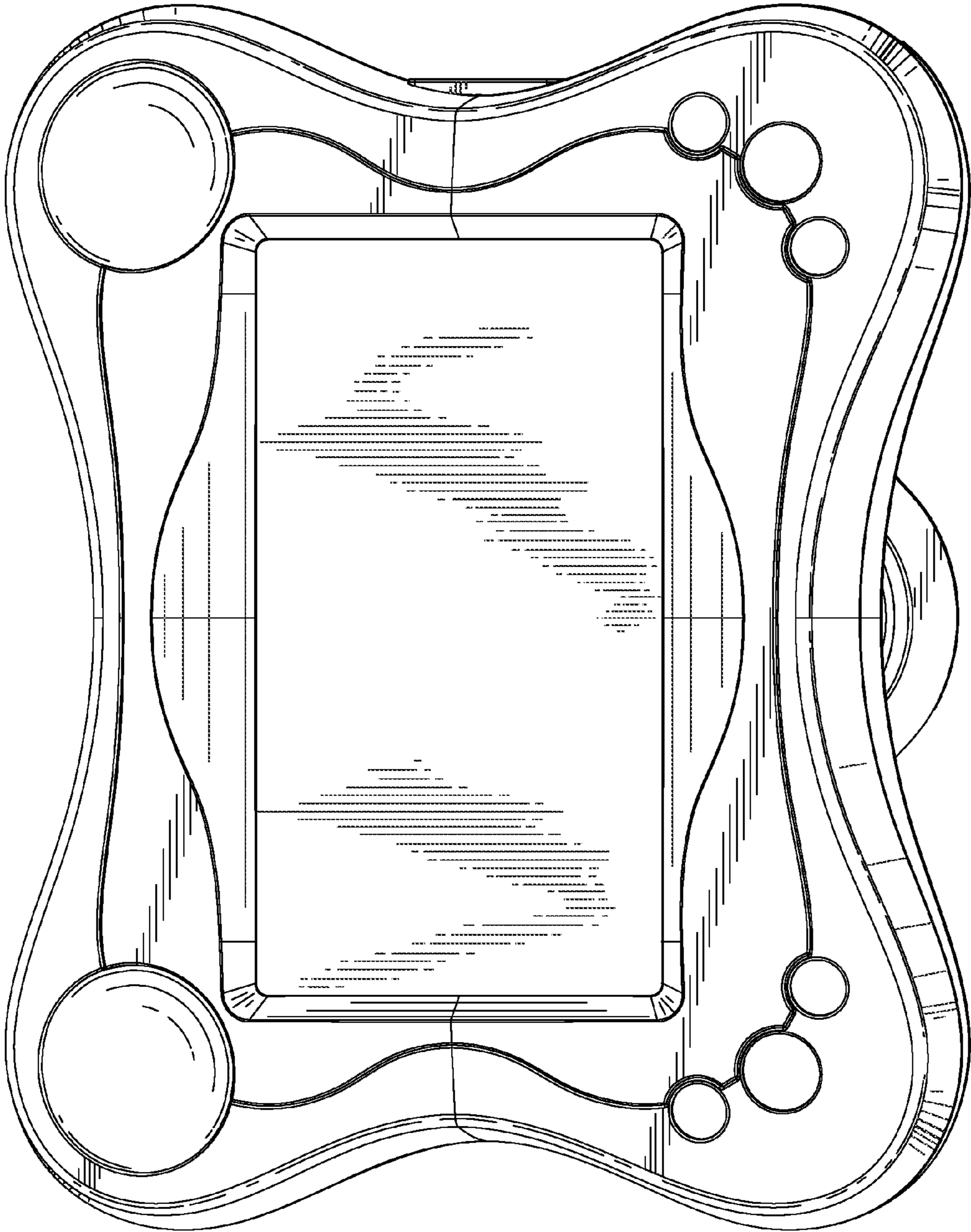


FIG. 2

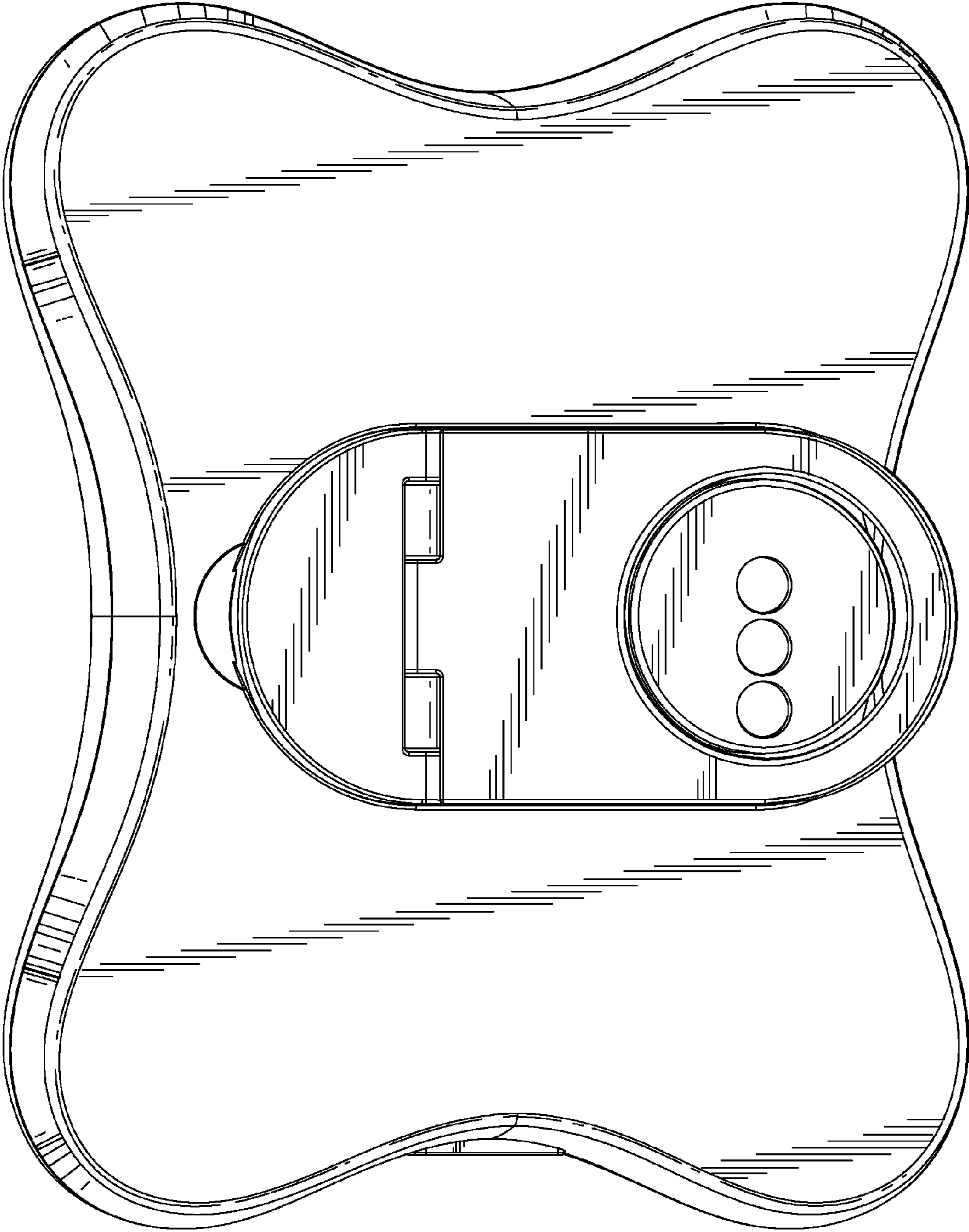


FIG. 3

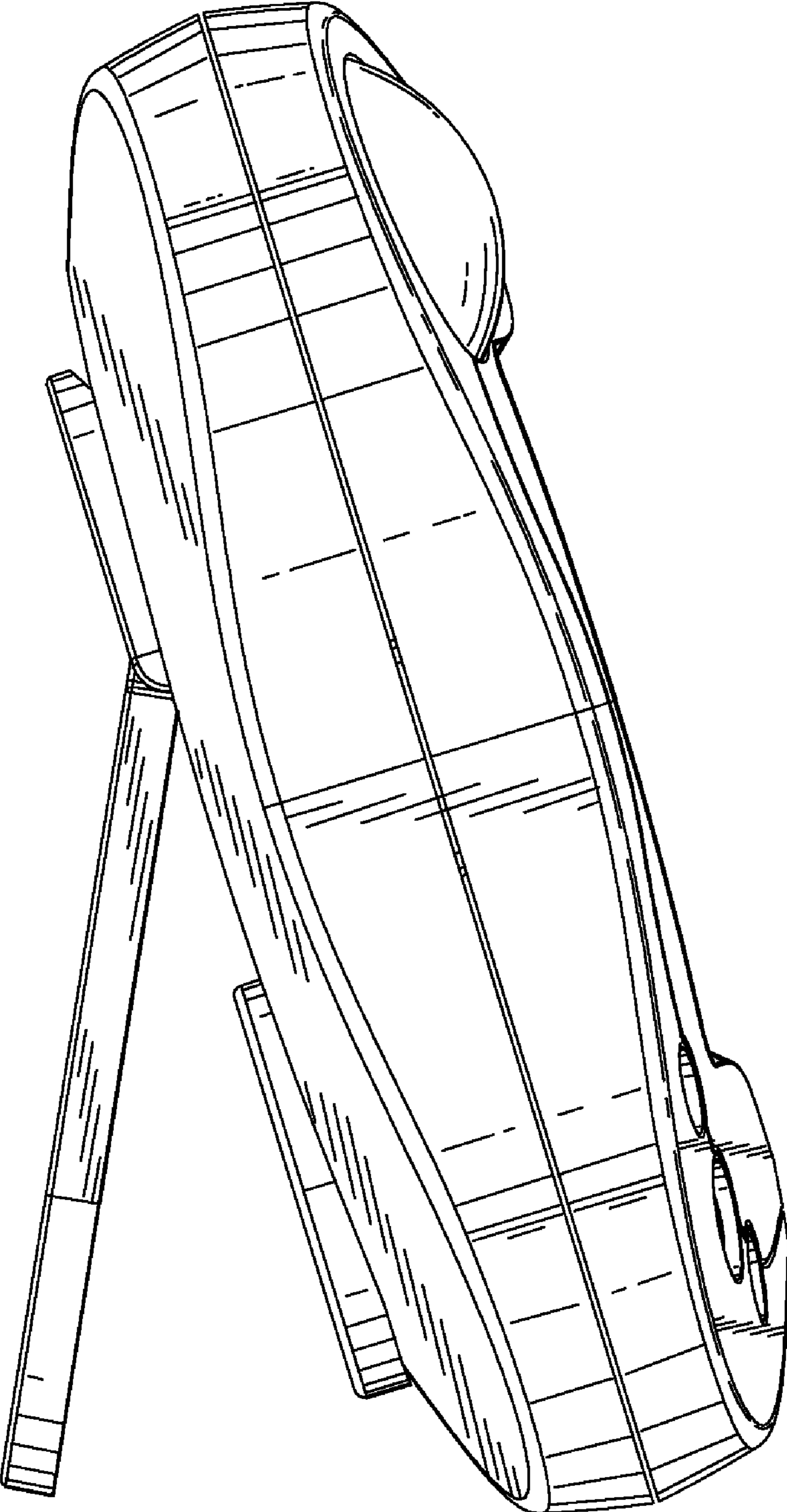


FIG. 4

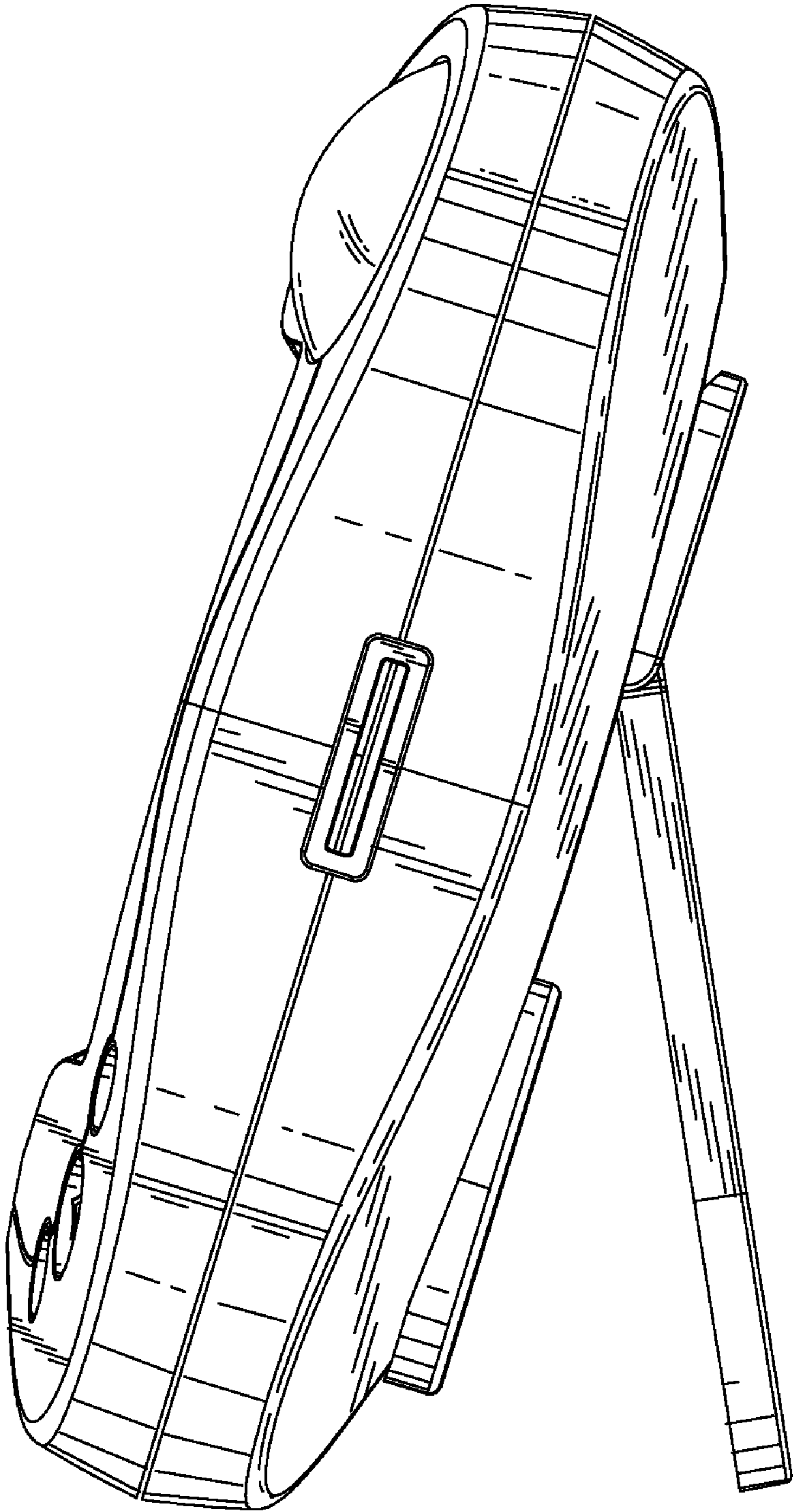


FIG. 5

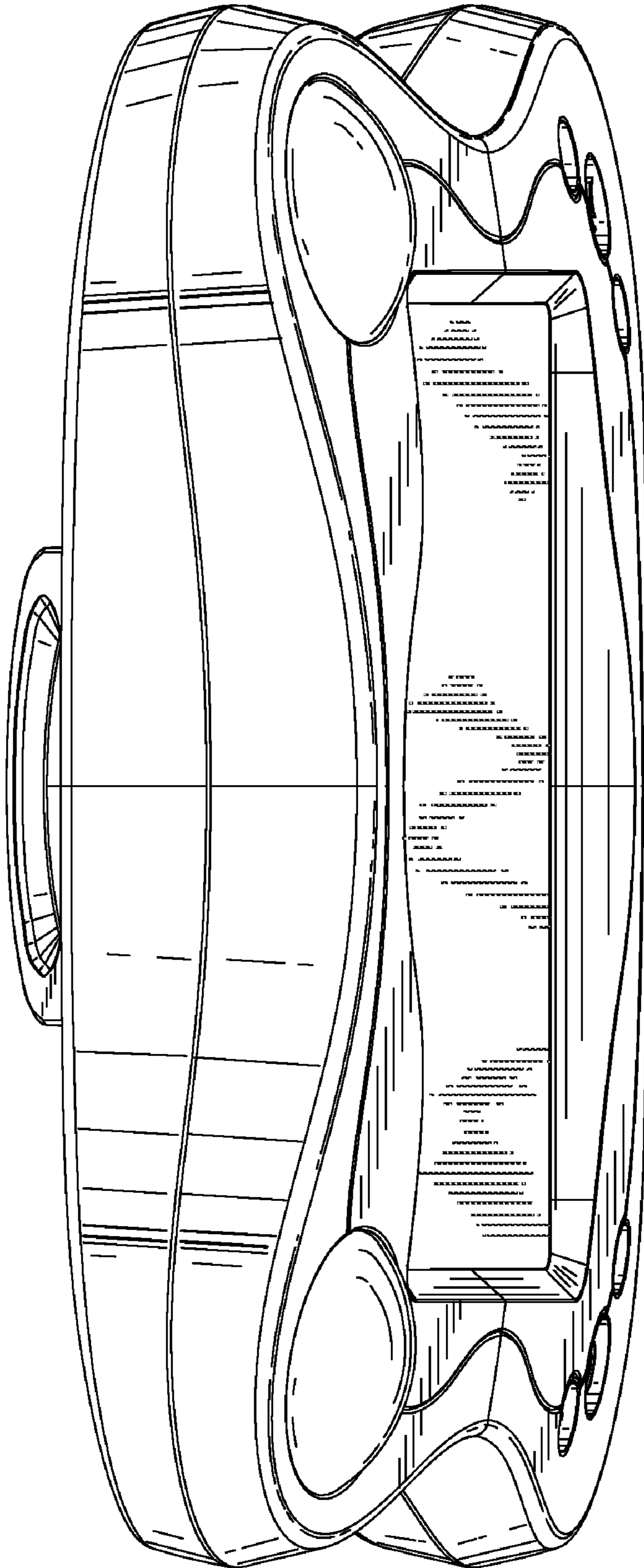


FIG. 6

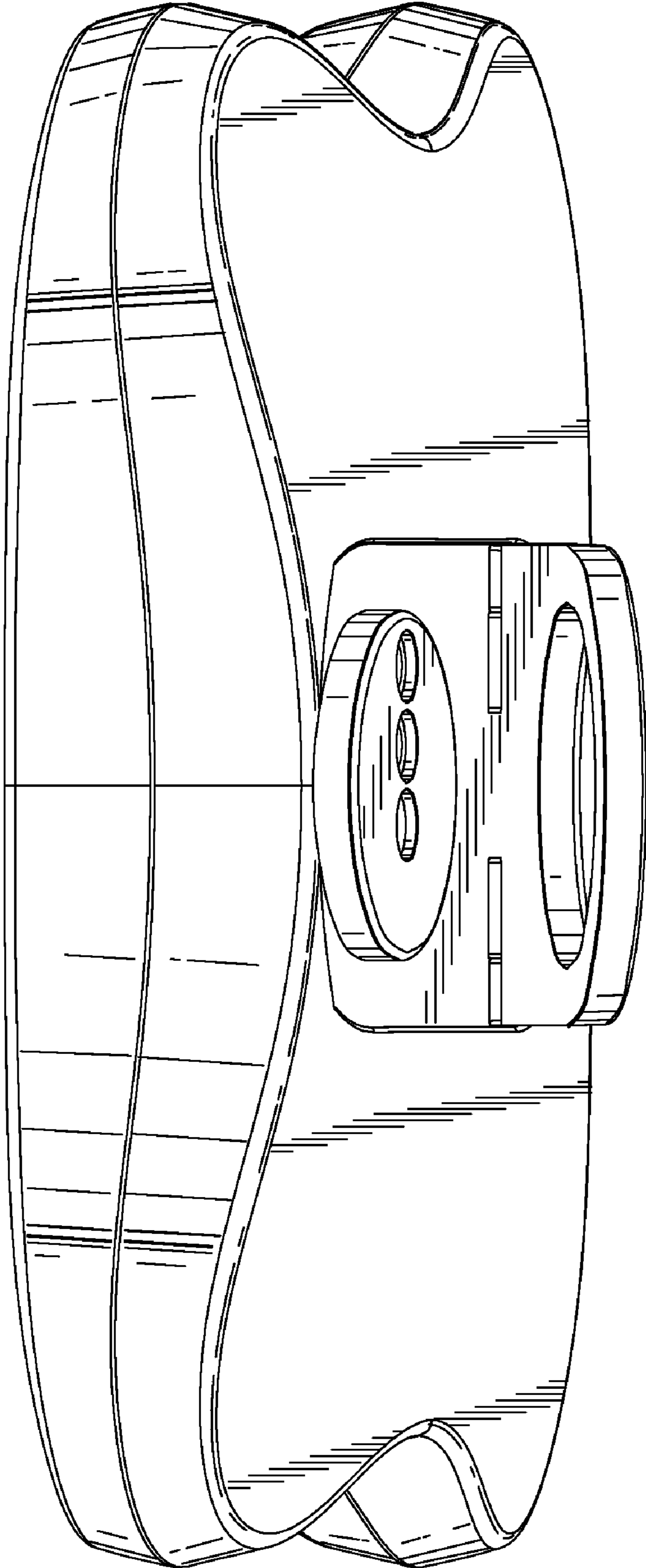


FIG. 7