



US00D620932S

(12) **United States Design Patent**
Andre et al.

(10) **Patent No.:** **US D620,932 S**
(45) **Date of Patent:** **** Aug. 3, 2010**

(54) **COMPUTER**

(75) Inventors: **Bartley K. Andre**, Menlo Park, CA (US); **Daniel J. Coster**, San Francisco, CA (US); **Daniele De Iuliis**, San Francisco, CA (US); **Richard P. Howarth**, San Francisco, CA (US); **Jonathan P. Ive**, San Francisco, CA (US); **Steve Jobs**, Palo Alto, CA (US); **Duncan Robert Kerr**, San Francisco, CA (US); **Shin Nishibori**, Portola Valley, CA (US); **Matthew Dean Rohrbach**, San Francisco, CA (US); **Peter Russell-Clarke**, San Francisco, CA (US); **Douglas B. Satzger**, Menlo Park, CA (US); **Calvin Q. Seid**, Palo Alto, CA (US); **Vincent Keane Seid**, legal representative, Los Gatos, CA (US); **Christopher J. Stringer**, Woodside, CA (US); **Eugene Antony Whang**, San Francisco, CA (US); **Rico Zorkendorfer**, San Francisco, CA (US)

(73) Assignee: **Apple Inc.**, Cupertino, CA (US)

(**) Term: **14 Years**

(21) Appl. No.: **29/289,807**

(22) Filed: **Aug. 1, 2007**

(51) **LOC (9) Cl.** **14-02**

(52) **U.S. Cl.** **D14/336; D14/374**

(58) **Field of Classification Search** D14/371-376, D14/125-129, 336, 337; 248/917-924, 371, 248/121, 176.1, 278.1; 341/12; 345/104, 345/156, 173, 174, 901-905; 348/180, 184, 348/325, 739; 349/1, 2, 11, 62; 361/679.08
See application file for complete search history.

(56) **References Cited**

U.S. PATENT DOCUMENTS

D294,262 S 2/1988 Thies et al.
(Continued)

OTHER PUBLICATIONS

Macworld magazine, Jun. 2007, cover.
(Continued)

Primary Examiner—Freda S Nunn

(74) *Attorney, Agent, or Firm*—SAIDMAN DesignLaw Group

(57) **CLAIM**

The ornamental design for a computer, as shown and described.

DESCRIPTION

FIG. 1 is a front, perspective view of a computer showing our new design;

FIG. 2 is a front view thereof;

FIG. 3 is a rear view thereof;

FIG. 4 is a right side view thereof;

FIG. 5 is a left side view thereof;

FIG. 6 is a top view thereof;

FIG. 7 is a bottom view thereof;

FIG. 8 is a rear perspective view thereof;

FIG. 9 is another rear perspective view thereof;

FIG. 10 is a front, perspective view of a second embodiment thereof;

FIG. 11 is a front view thereof;

FIG. 12 is a rear view thereof;

FIG. 13 is a right side view thereof;

FIG. 14 is a left side view thereof;

FIG. 15 is a top view thereof;

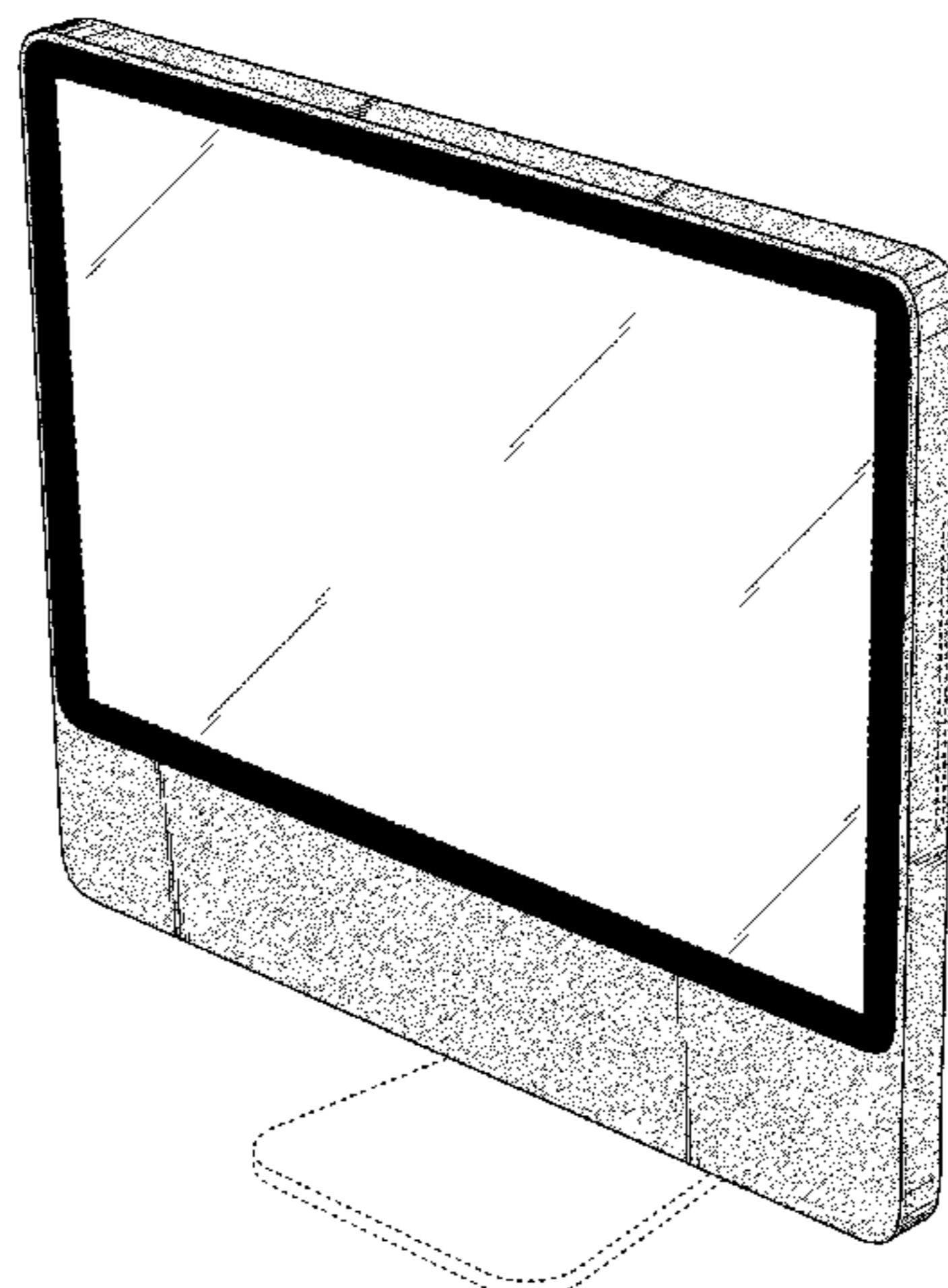
FIG. 16 is a bottom view thereof;

FIG. 17 is a rear perspective view thereof; and,

FIG. 18 is another rear perspective view thereof.

The transparent display screen has a black border coincident with a peripheral portion of the screen. The rear surface of the computer is black. The portion of the computer shown in gray shading represents a metallic surface that preferably contrasts with the black portions. Throughout the drawings, the apertures on the bottom rim of the computer, as shown for example in FIG. 7, are in broken lines. The broken line showing is for the purpose of illustrating environmental structure and forms no part of the claimed design.

1 Claim, 14 Drawing Sheets



US D620,932 S

Page 2

U.S. PATENT DOCUMENTS

D428,415 S 7/2000 Shibata
D432,101 S 10/2000 Oba
D434,763 S 12/2000 Jobs et al.
D453,022 S 1/2002 Oba
D456,023 S 4/2002 Andre et al.
6,381,125 B1* 4/2002 Mizoguchi et al. 361/679.08
D464,049 S 10/2002 Goto
D476,335 S 6/2003 Miao et al.
D486,486 S 2/2004 Jobs et al.
D488,139 S 4/2004 Takami et al.
D491,901 S 6/2004 Chin et al.
D494,971 S 8/2004 Jobs et al.
D495,332 S 8/2004 Jobs et al.
D496,040 S 9/2004 Jobs et al.

D504,889 S * 5/2005 Andre et al. D14/341
D520,006 S * 5/2006 Chen et al. D14/375
D529,913 S * 10/2006 Chen et al. D14/375
D531,631 S 11/2006 Andre et al.
D532,011 S 11/2006 Andre et al.
D541,278 S * 4/2007 Hsu et al. D14/375
2002/0020792 A1* 2/2002 Lee 248/278.1
2003/0189155 A1* 10/2003 Serbinski et al. 248/371
2006/0076463 A1* 4/2006 Drew 248/121
2006/0237599 A1* 10/2006 Ternus et al. 248/176.1

OTHER PUBLICATIONS

Appendix in U.S. Appl. No. 29/201,636 entitled "Electronic Device"
filed Mar. 17, 2004, now USPN D. 504,889.

* cited by examiner

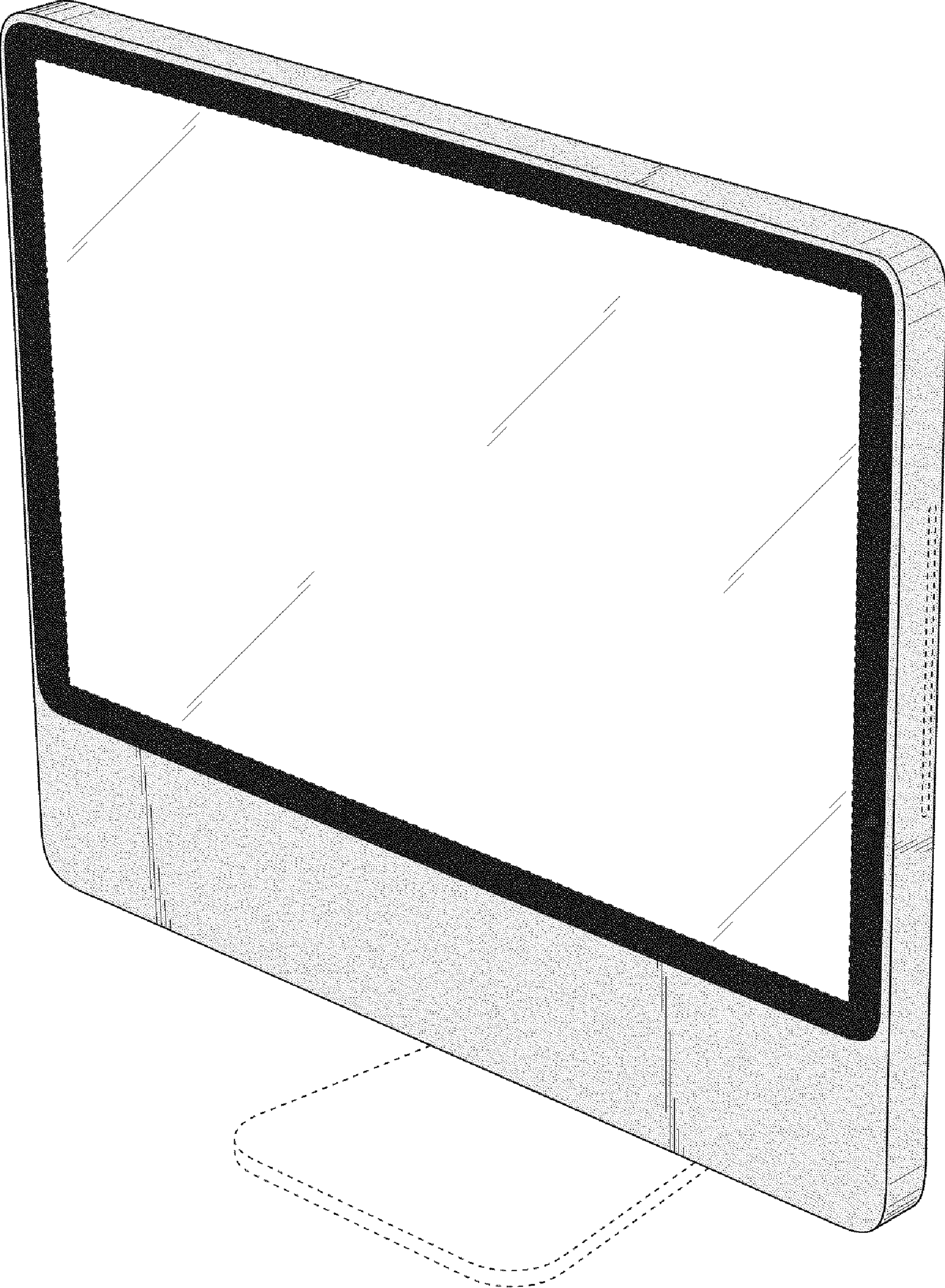


Fig. 1

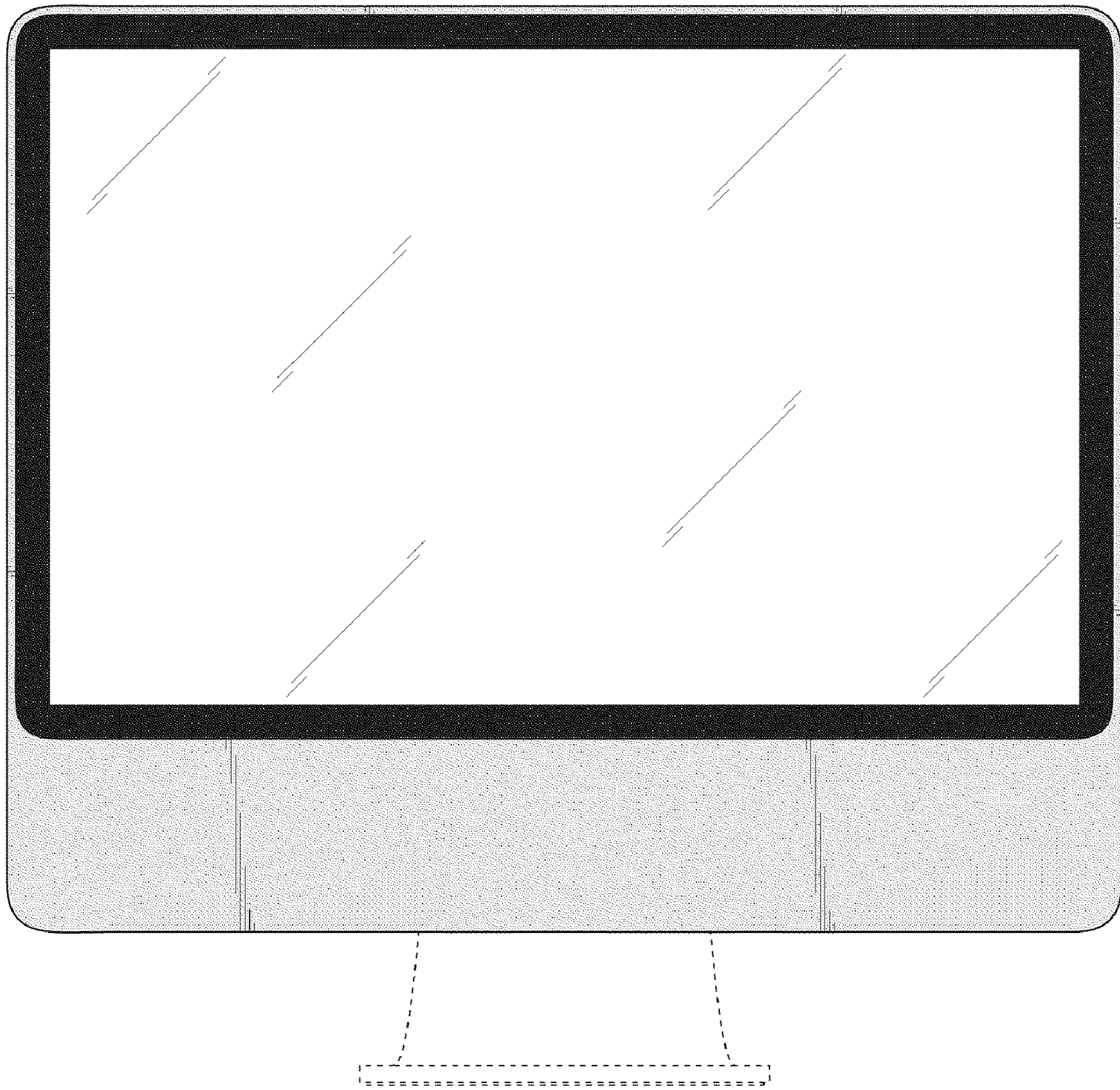


Fig. 2

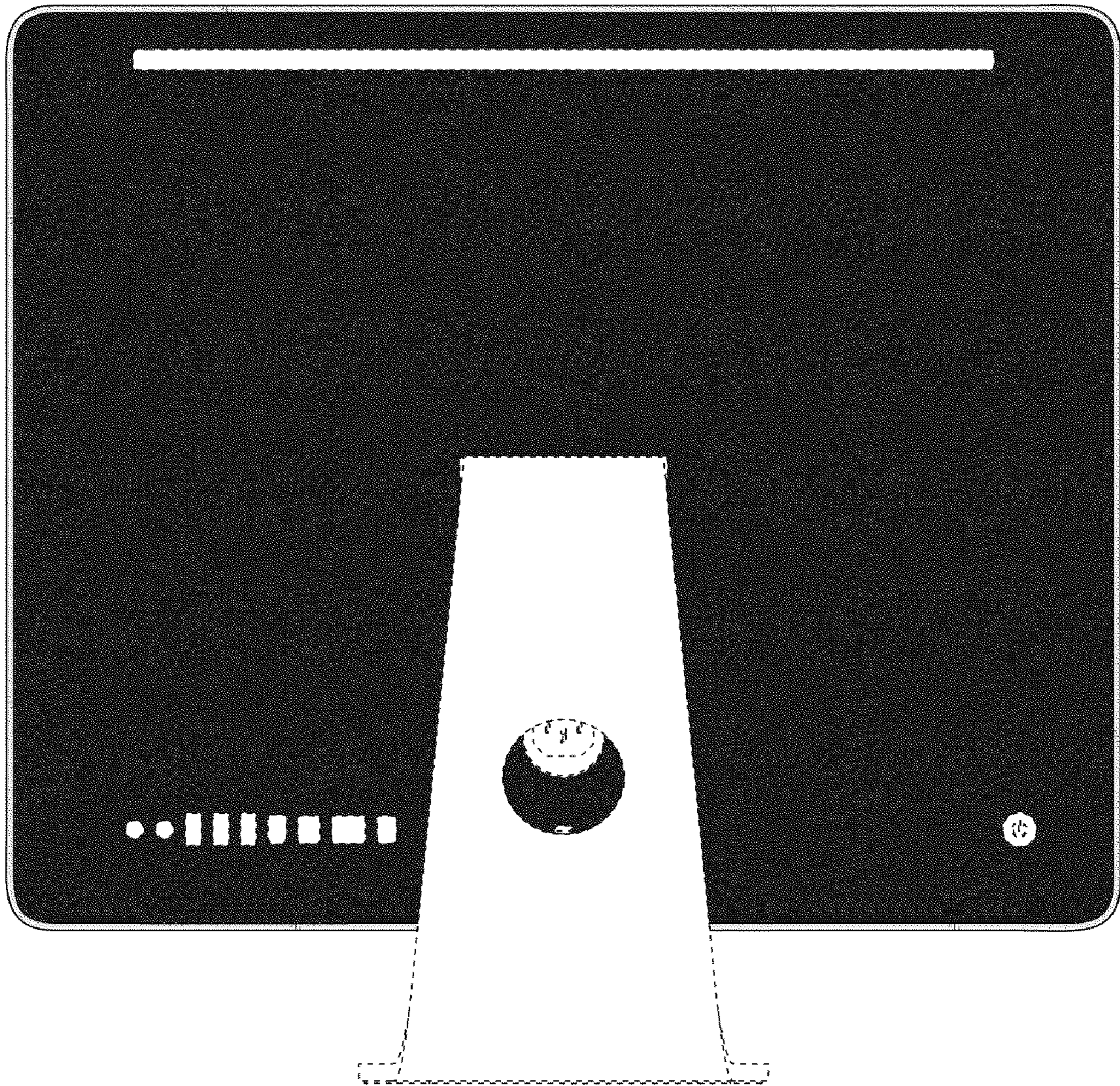


Fig. 3

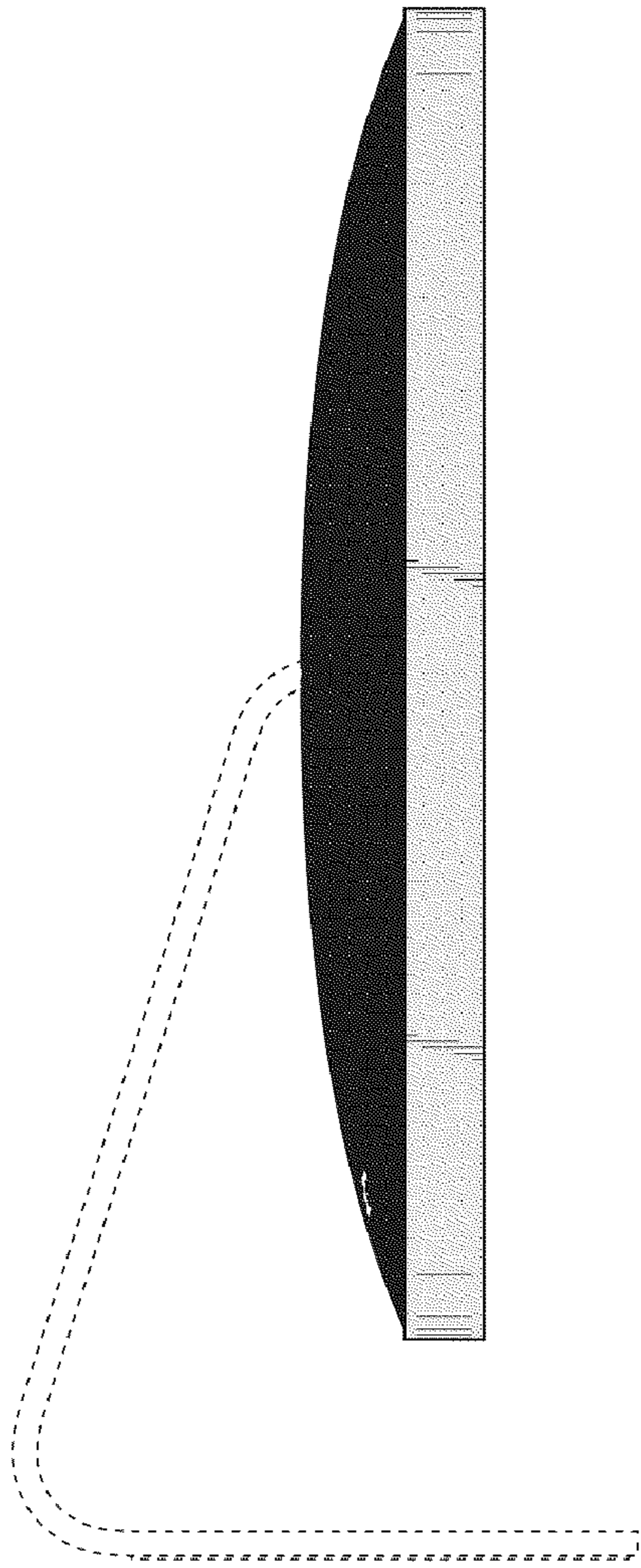


Fig. 4

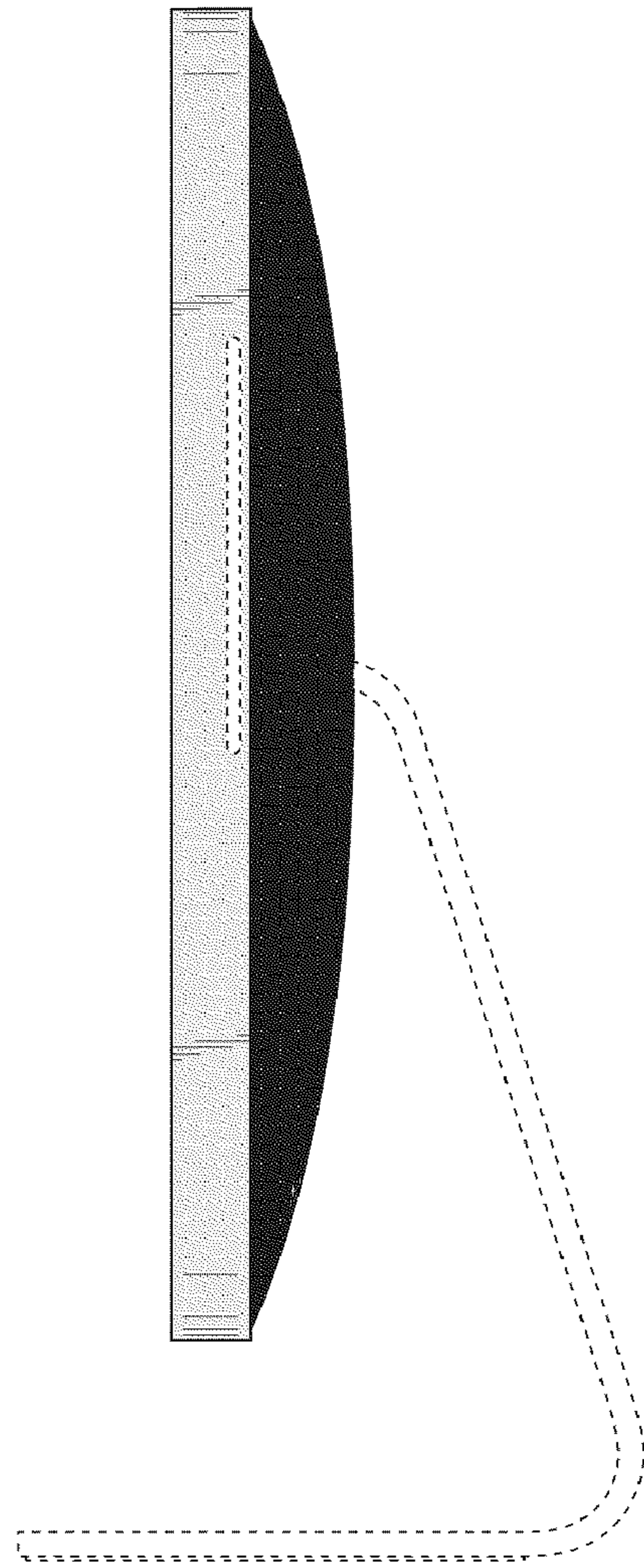


Fig. 5

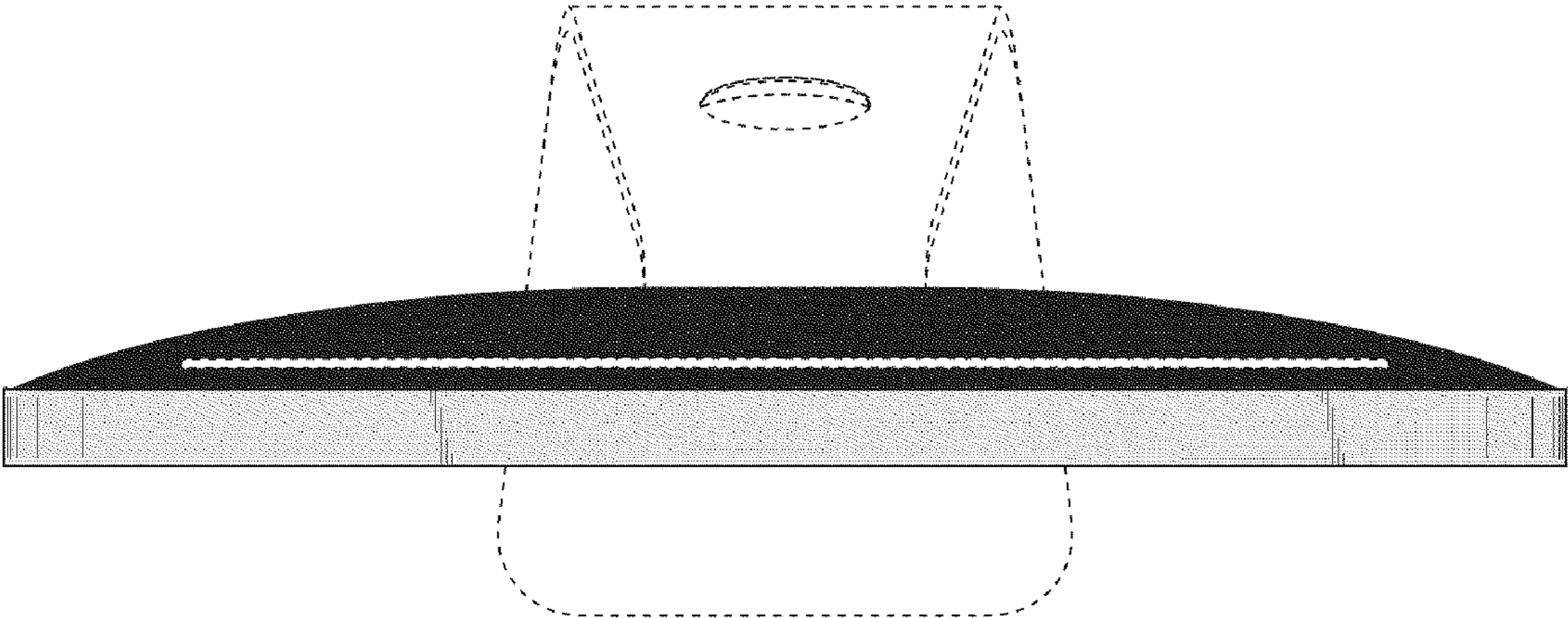


Fig. 6

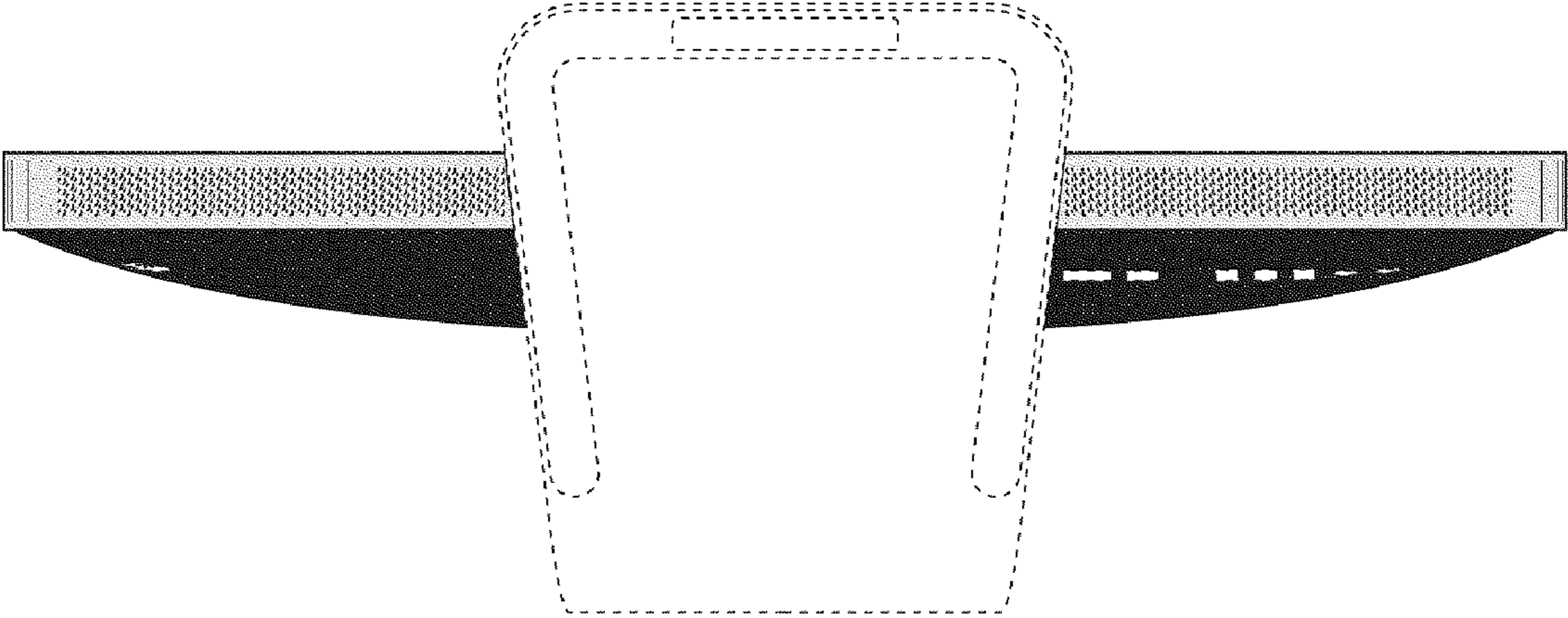


Fig. 7

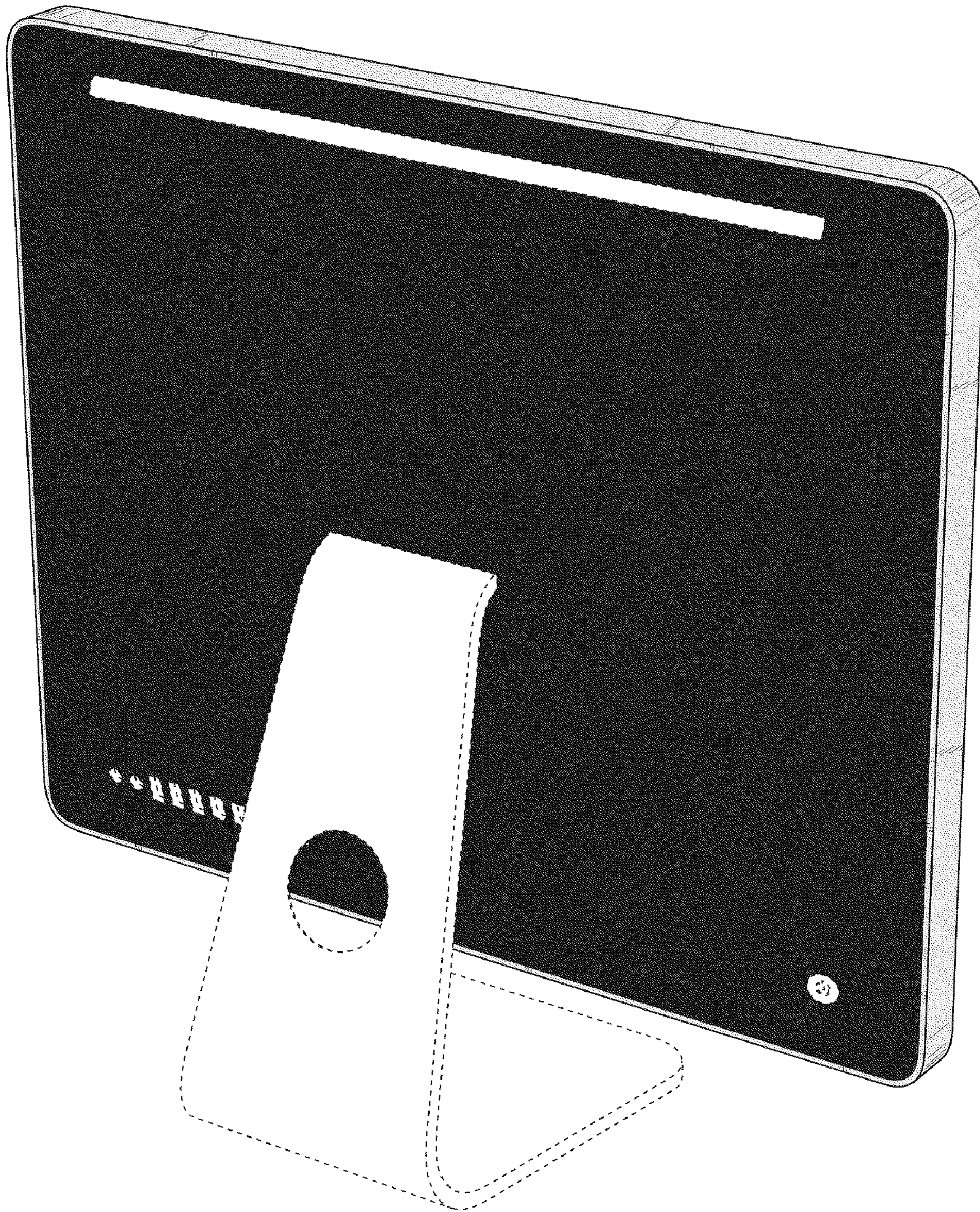


Fig. 8

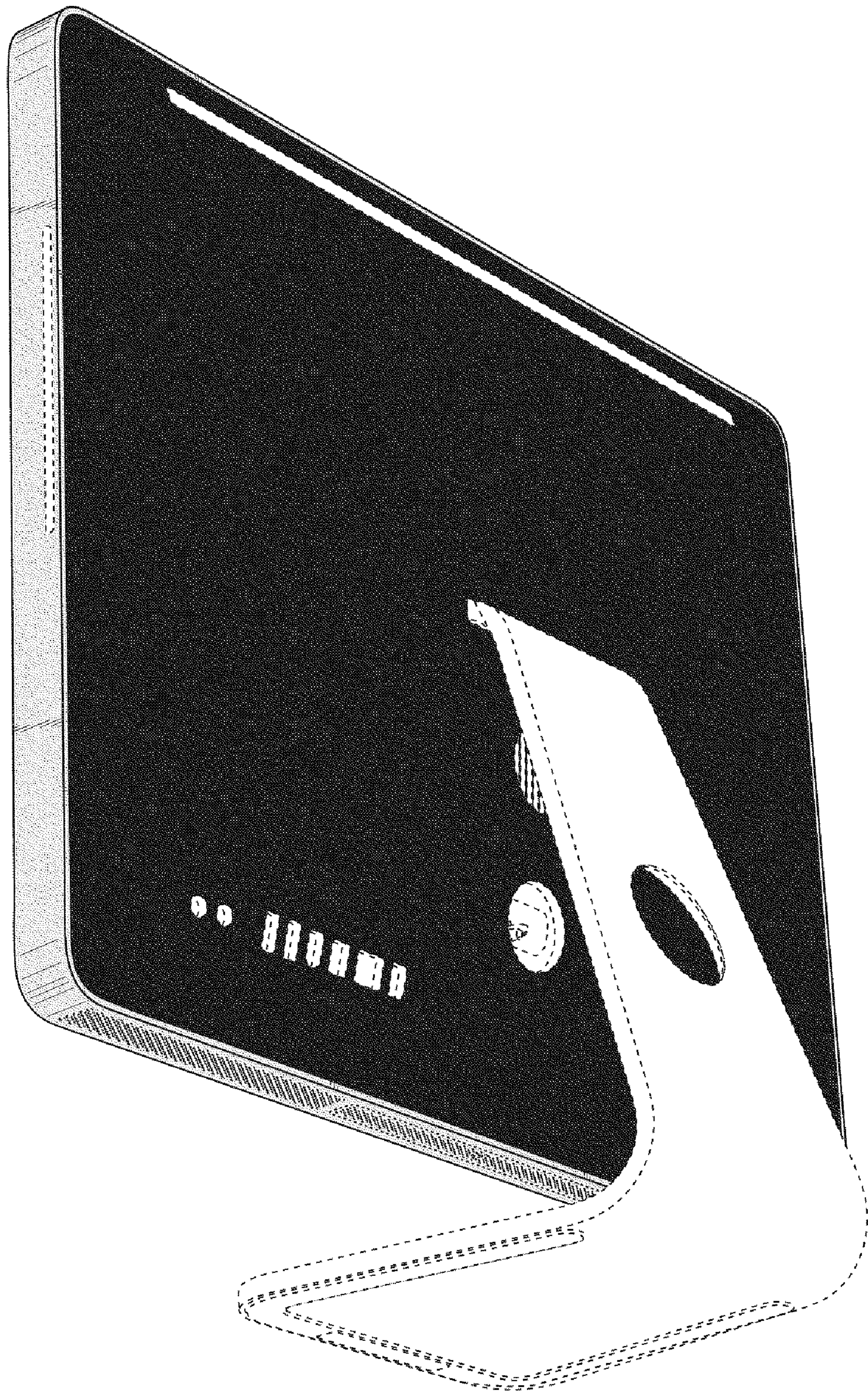


Fig. 9

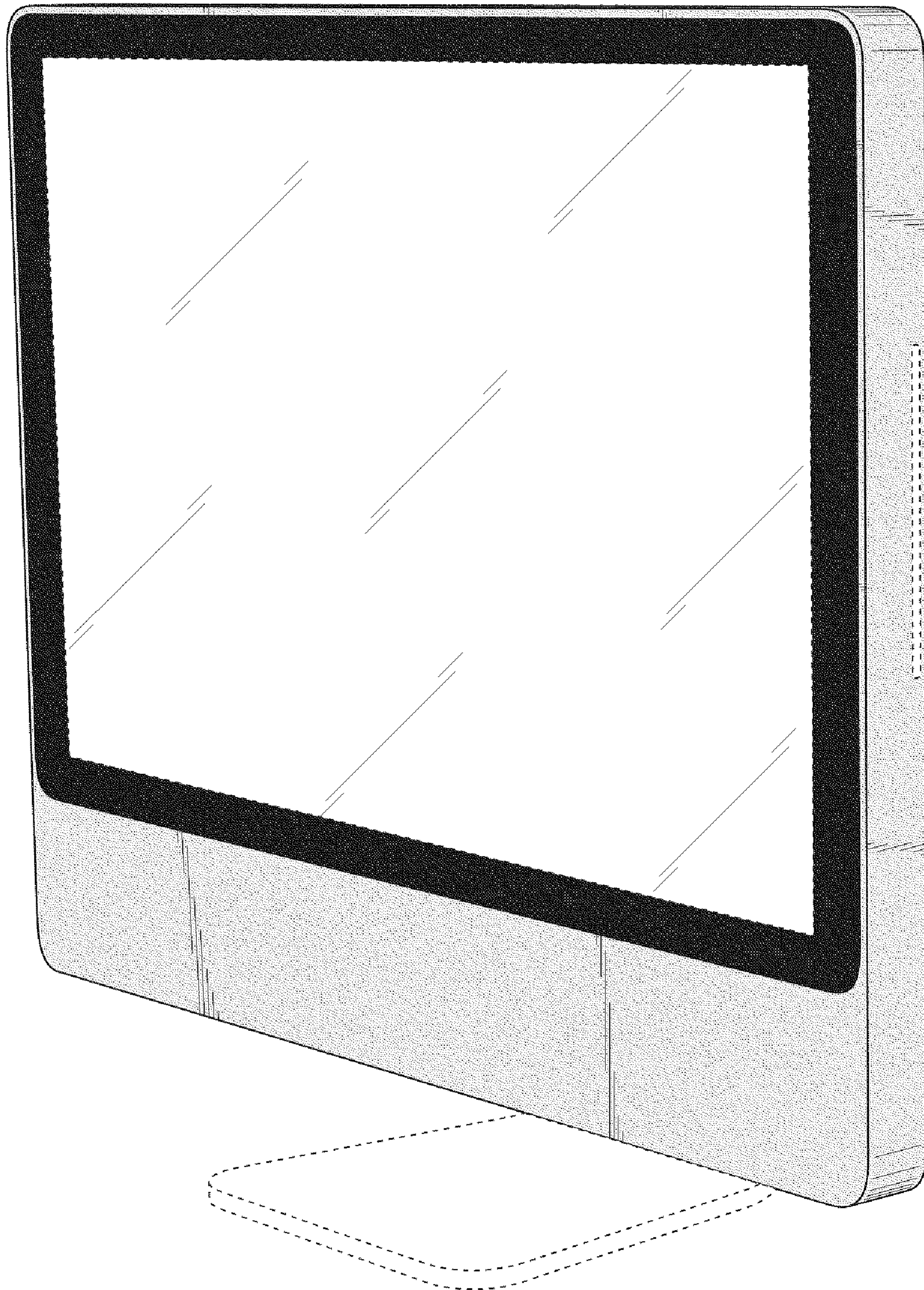


Fig. 10

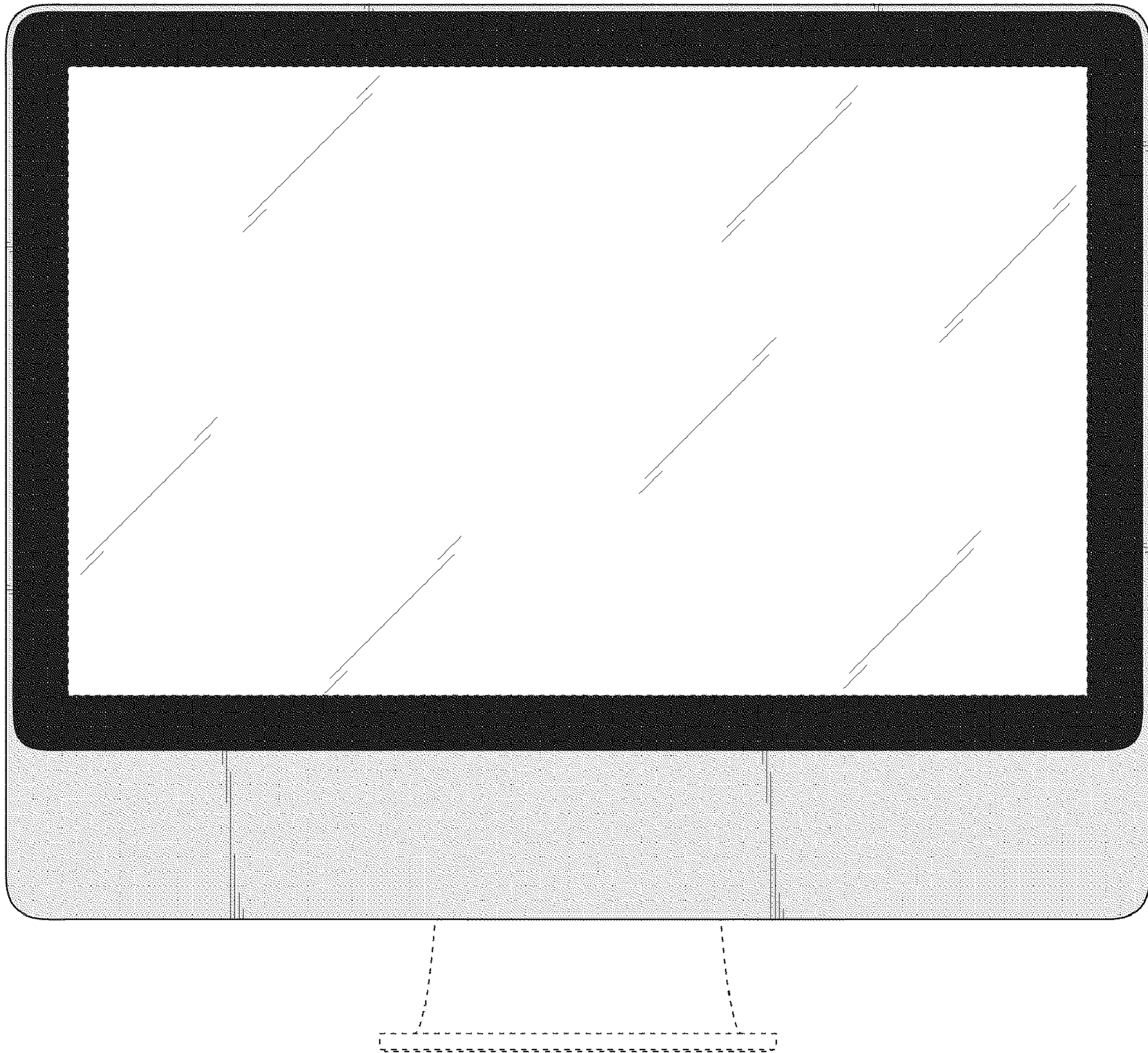


Fig. 11

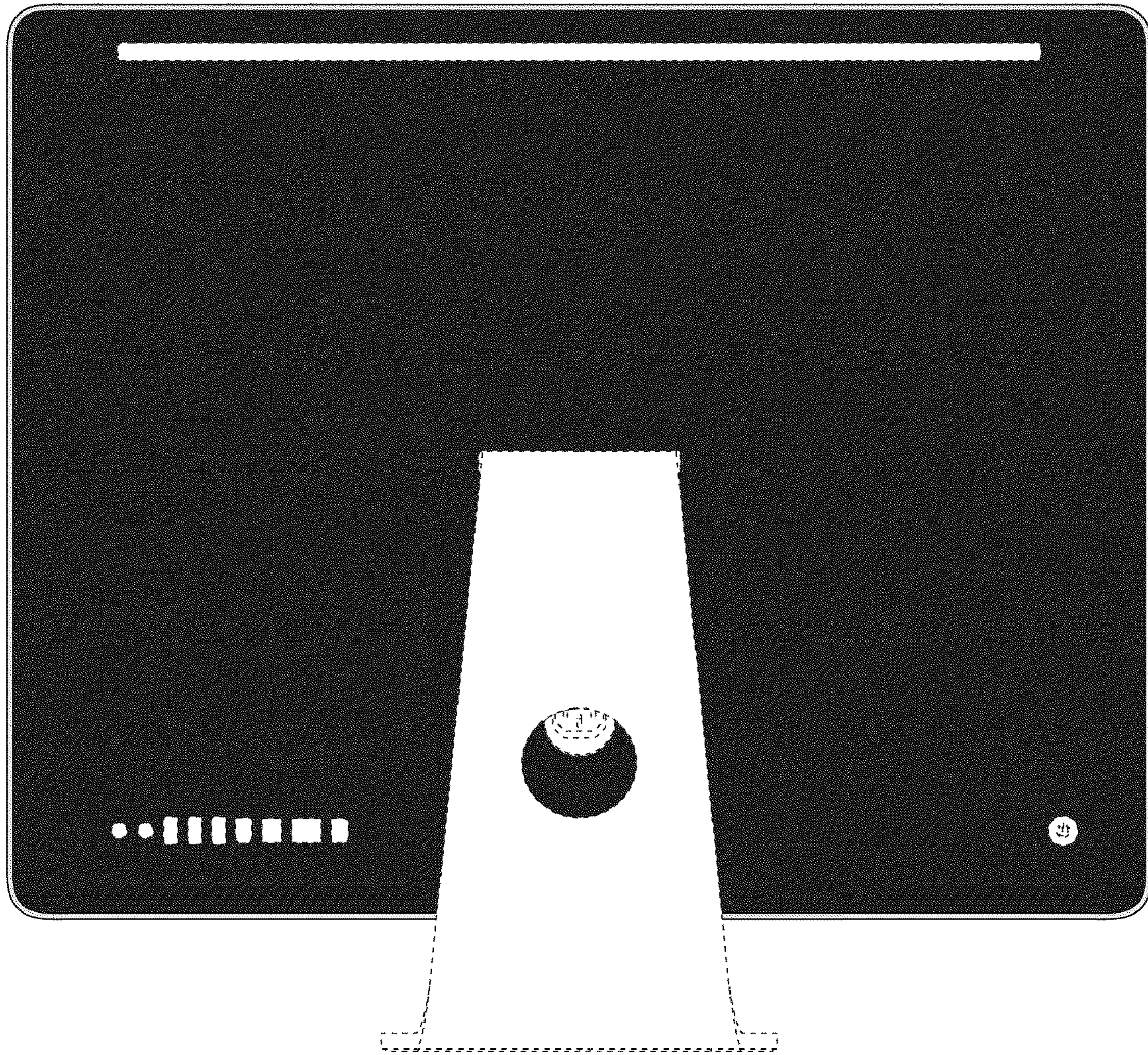


Fig. 12

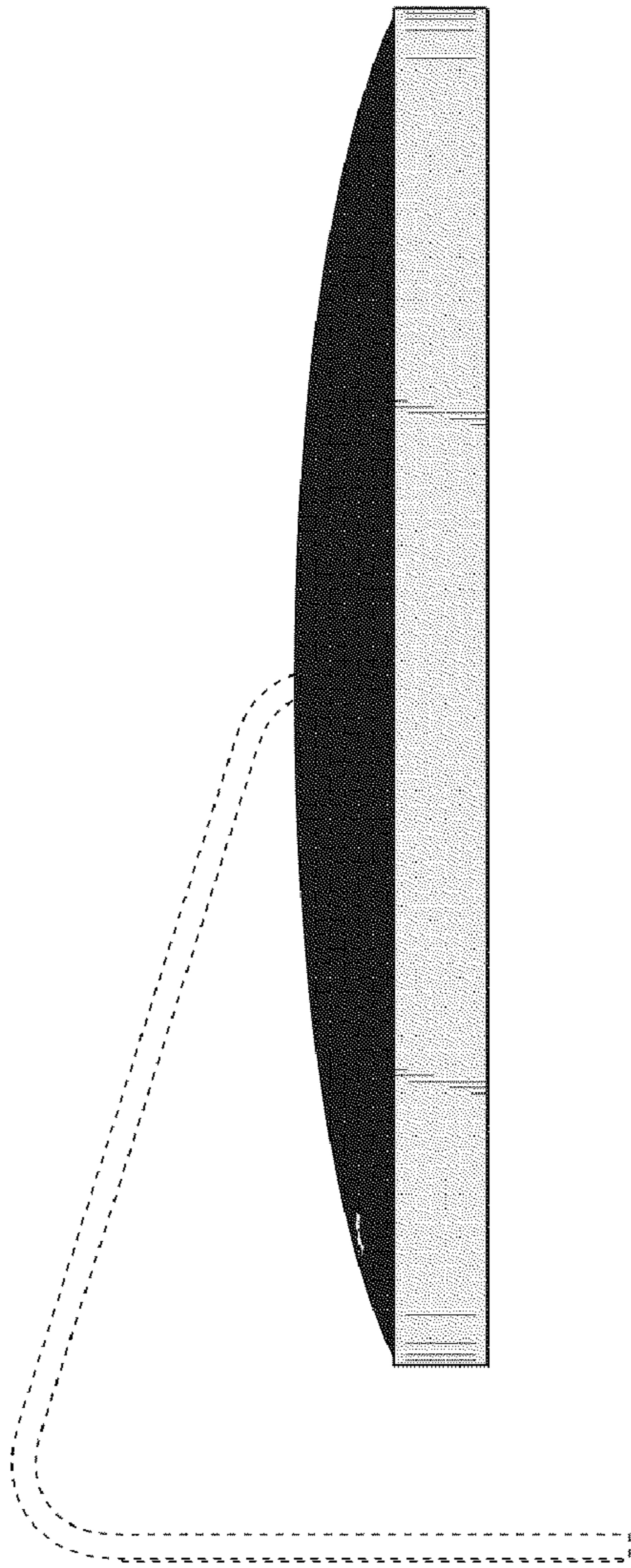


Fig. 13

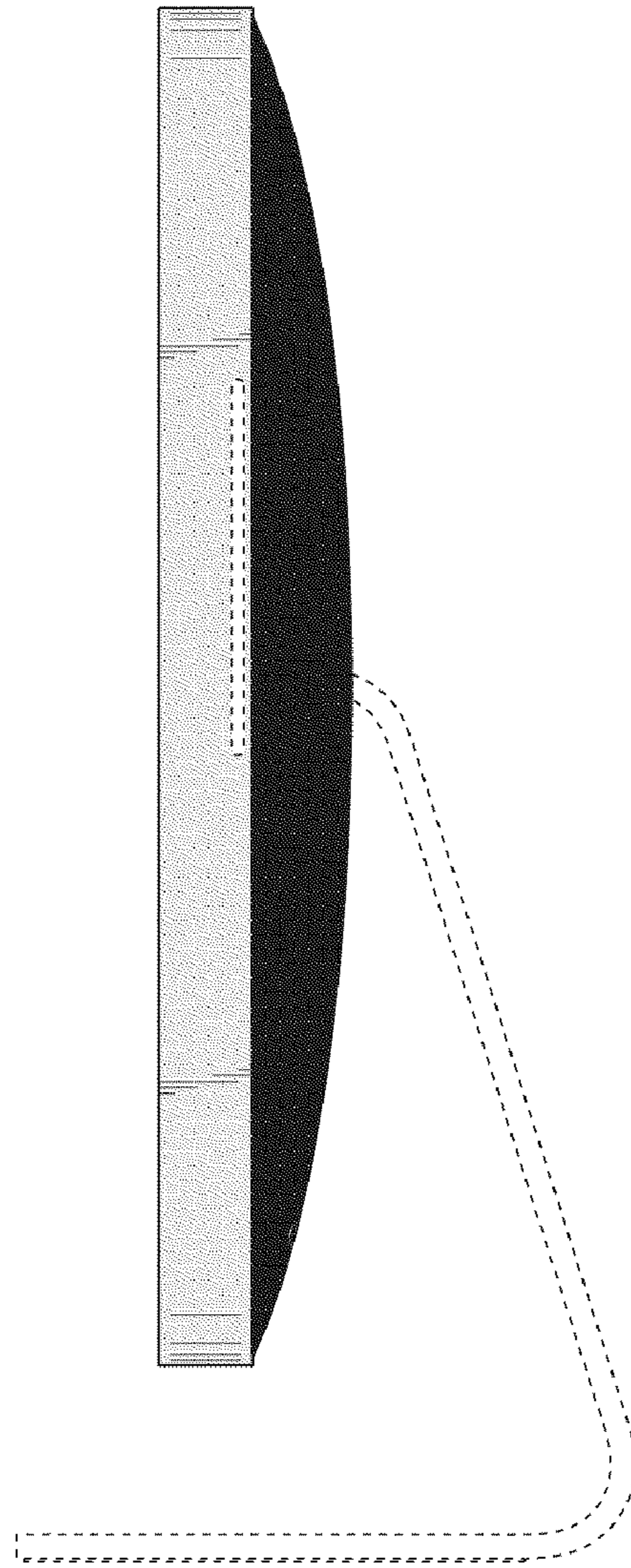


Fig. 14

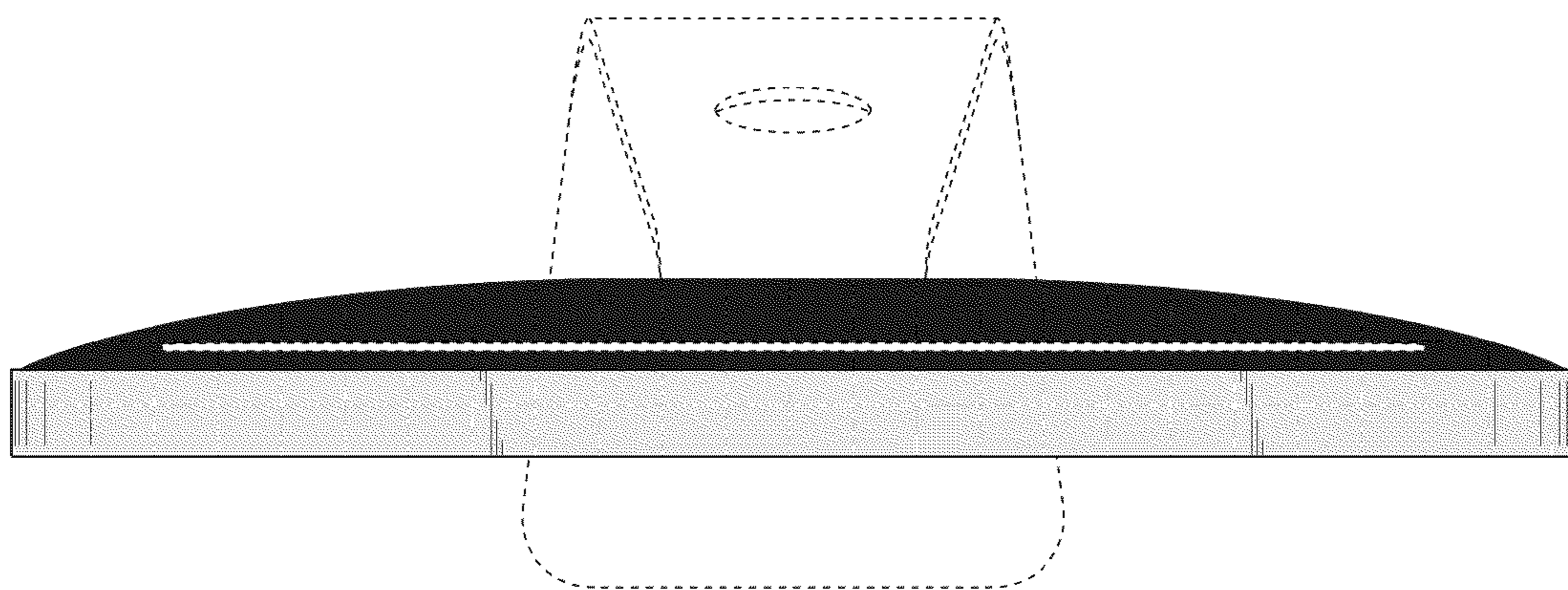


Fig. 15

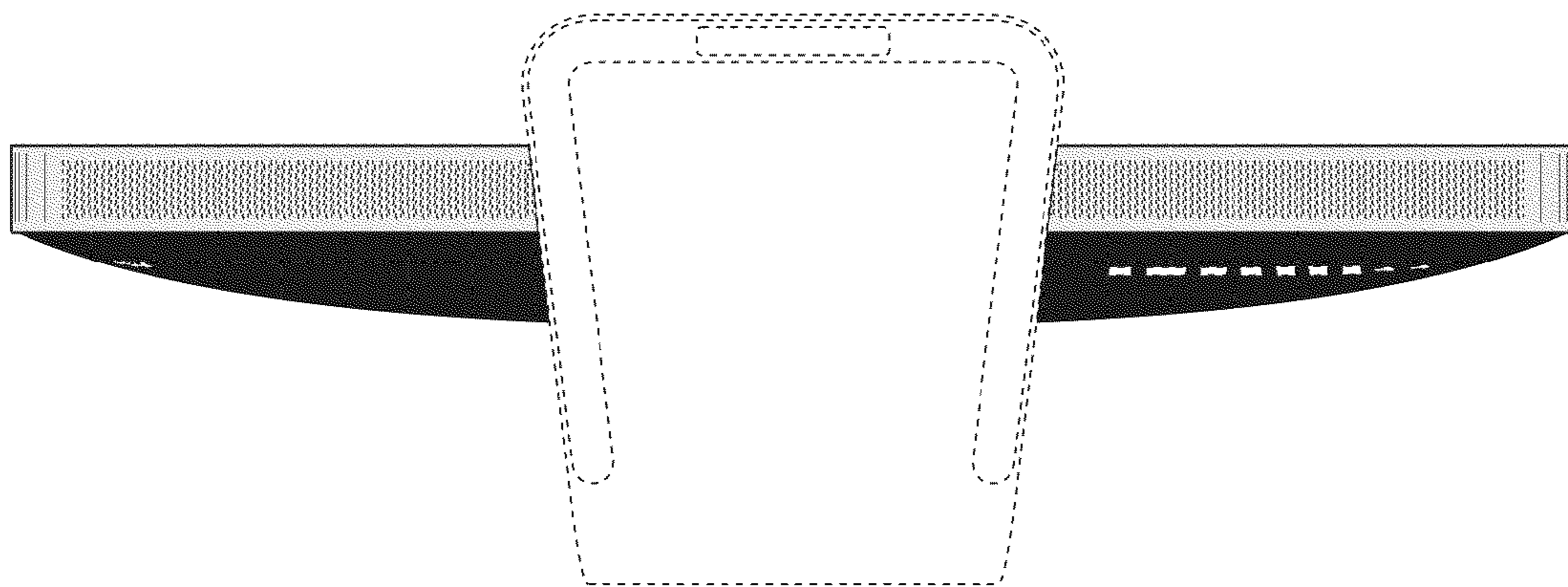


Fig. 16

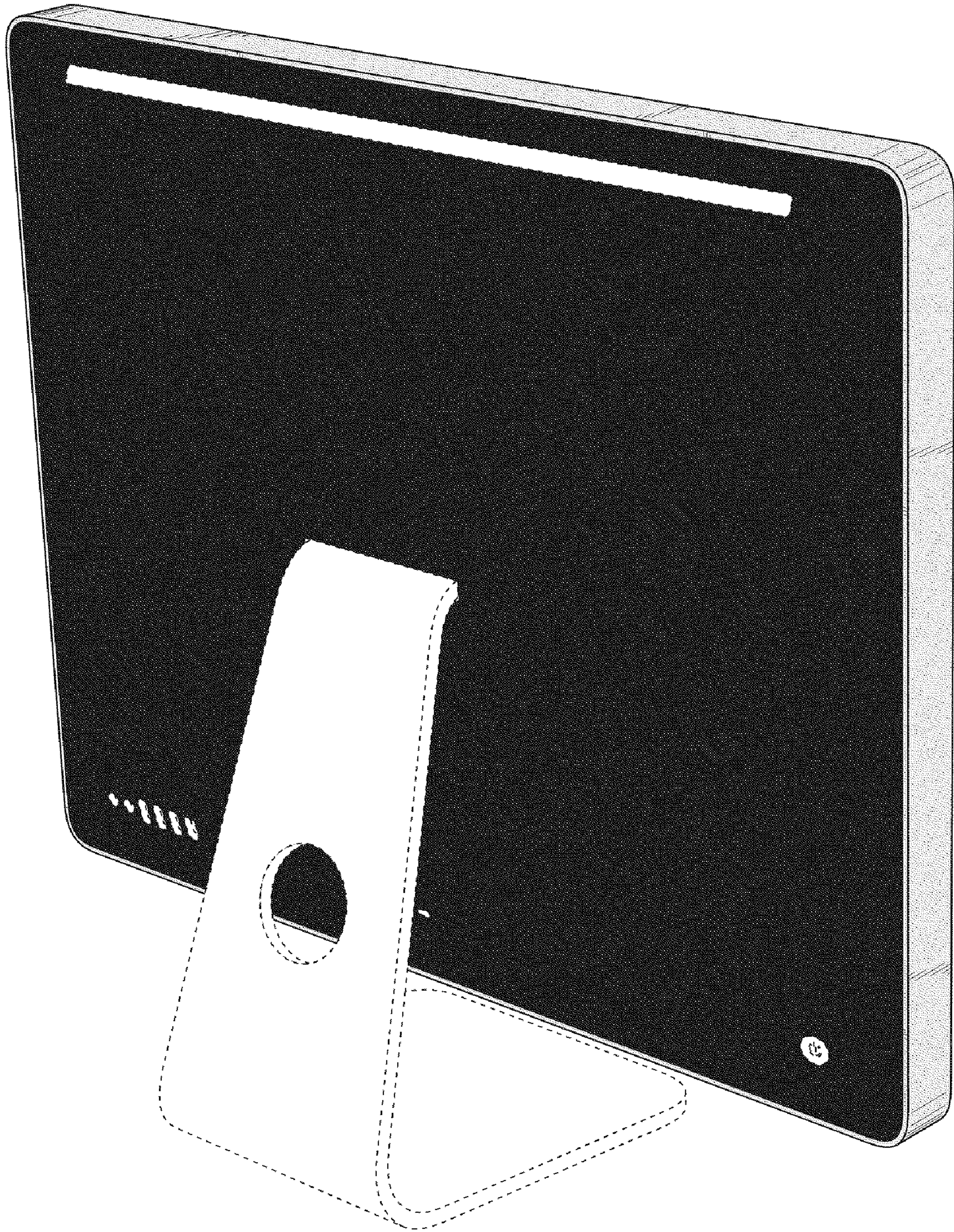


Fig. 17

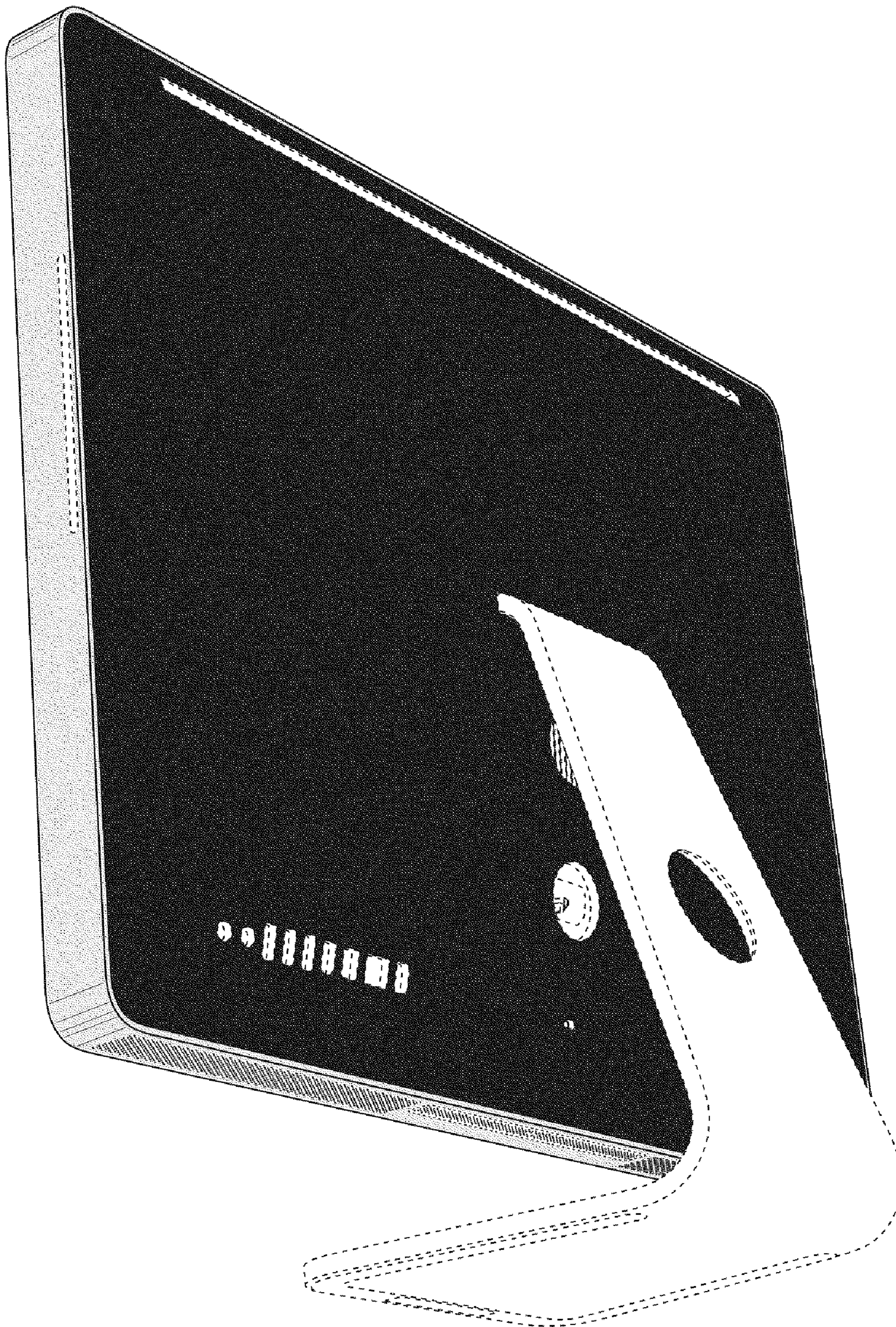


Fig. 18