



US00D620929S

(12) **United States Design Patent**
Lee

(10) **Patent No.:** **US D620,929 S**
(45) **Date of Patent:** **** Aug. 3, 2010**

(54) **DISPLAY PANEL-MOUNTING BRACKET**

(75) Inventor: **Chil-Sung Lee**, Suwon-si (KR)

(73) Assignee: **Sentronix Co., Ltd.**, Gyeonggi-do (KR)

(**) Term: **14 Years**

(21) Appl. No.: **29/350,173**

(22) Filed: **Nov. 12, 2009**

(30) **Foreign Application Priority Data**

May 12, 2009 (KR) 30-2009-0020302

(51) **LOC (9) Cl.** **14-03**

(52) **U.S. Cl.** **D14/239**

(58) **Field of Classification Search** D14/125-134,
D14/239, 371, 136, 374-377; D8/363, 373,
D8/349, 394; 248/465, 917-924, 123.11;
348/825, 827, 836, 837, 838, 180, 184, 325,
348/739; 600/443; D6/477-479, 407, 474,
D6/460, 461, 468; 312/7.2; 341/12; 345/87,
345/104, 133, 156, 168, 169, 173; 720/605,
720/669, 600, 655; 369/99, 197; 455/344-347;
349/1, 2, 11, 62; 108/59, 91, 92, 96; 211/41,
211/41.12, 42, 49.1, 50, 85.2, 90.04, 187,
211/190, 119.003, 134.153, 87.01, 71.01

See application file for complete search history.

(56) **References Cited**

U.S. PATENT DOCUMENTS

6,905,101 B1 * 6/2005 Dittmer 248/274.1
D517,085 S * 3/2006 Deuschle D14/451
D538,632 S * 3/2007 Ly Hau et al. D8/363
D560,670 S * 1/2008 Anderson et al. D14/451

D570,852 S * 6/2008 Muday et al. D14/451
D587,694 S * 3/2009 Sculler et al. D14/239
7,537,189 B2 * 5/2009 Jung et al. 248/298.1
2008/0156949 A1 * 7/2008 Sculler et al. 248/220.21
2008/0210837 A1 * 9/2008 Burns 248/291.1

* cited by examiner

Primary Examiner—Raphael Barkai

Assistant Examiner—Randall H Gholson

(74) *Attorney, Agent, or Firm*—Grossman Tucker Perreault & Pflieger, PLLC

(57) **CLAIM**

The ornamental design for the display panel-mounting bracket, as shown and described.

DESCRIPTION

FIG. 1 is a perspective view of a display panel-mounting bracket.

FIG. 2 is a front view thereof.

FIG. 3 is a rear view thereof.

FIG. 4 is a left side view thereof.

FIG. 5 is a right side view thereof.

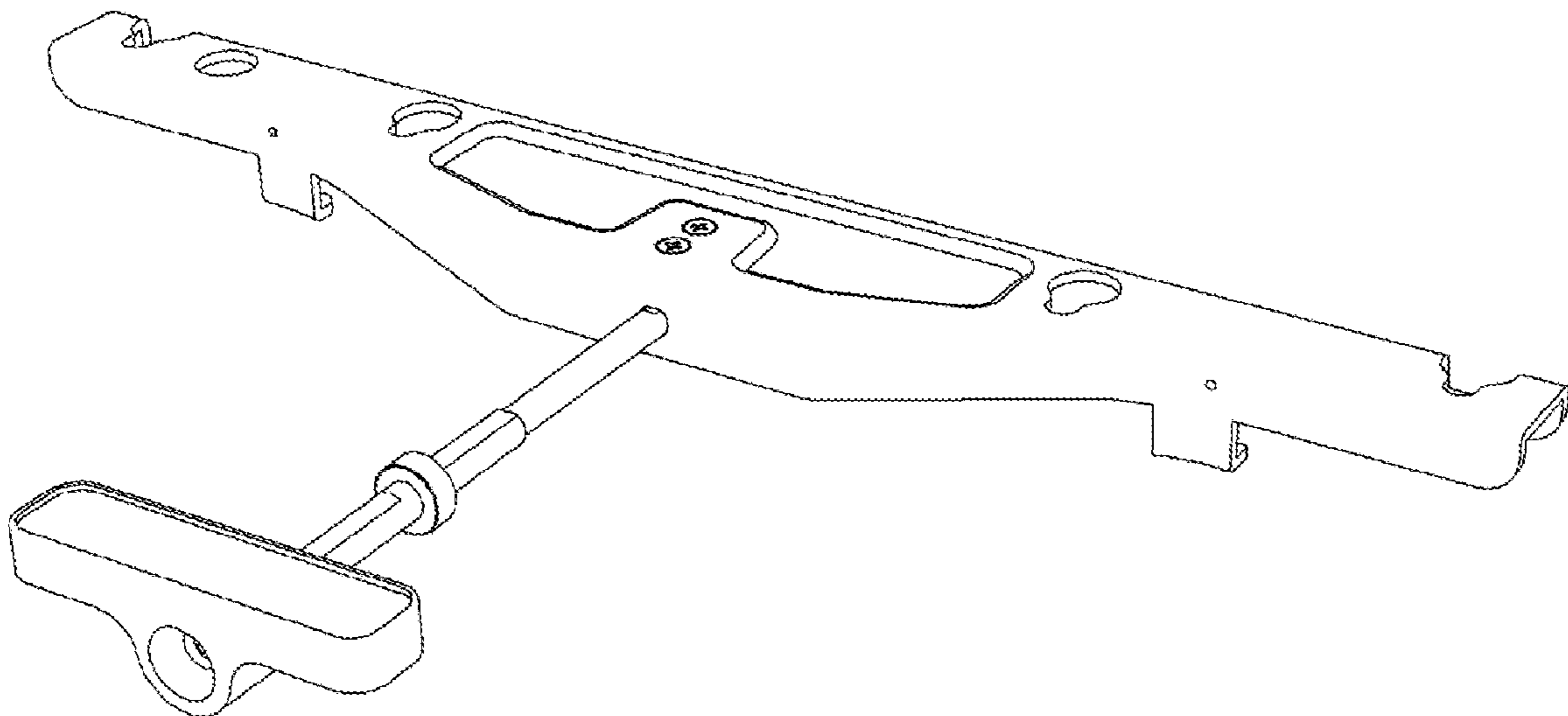
FIG. 6 is a top plan view thereof.

FIG. 7 is a bottom plan view thereof; and,

FIG. 8 is a perspective view of the display panel-mounting bracket as a component of a device for mounting a display panel on a wall, wherein the other illustrated components of the device represent environmental structure and form no part of the claimed design.

The broken lines shown in FIG. 8 are directed to features of the design not claimed.

1 Claim, 6 Drawing Sheets



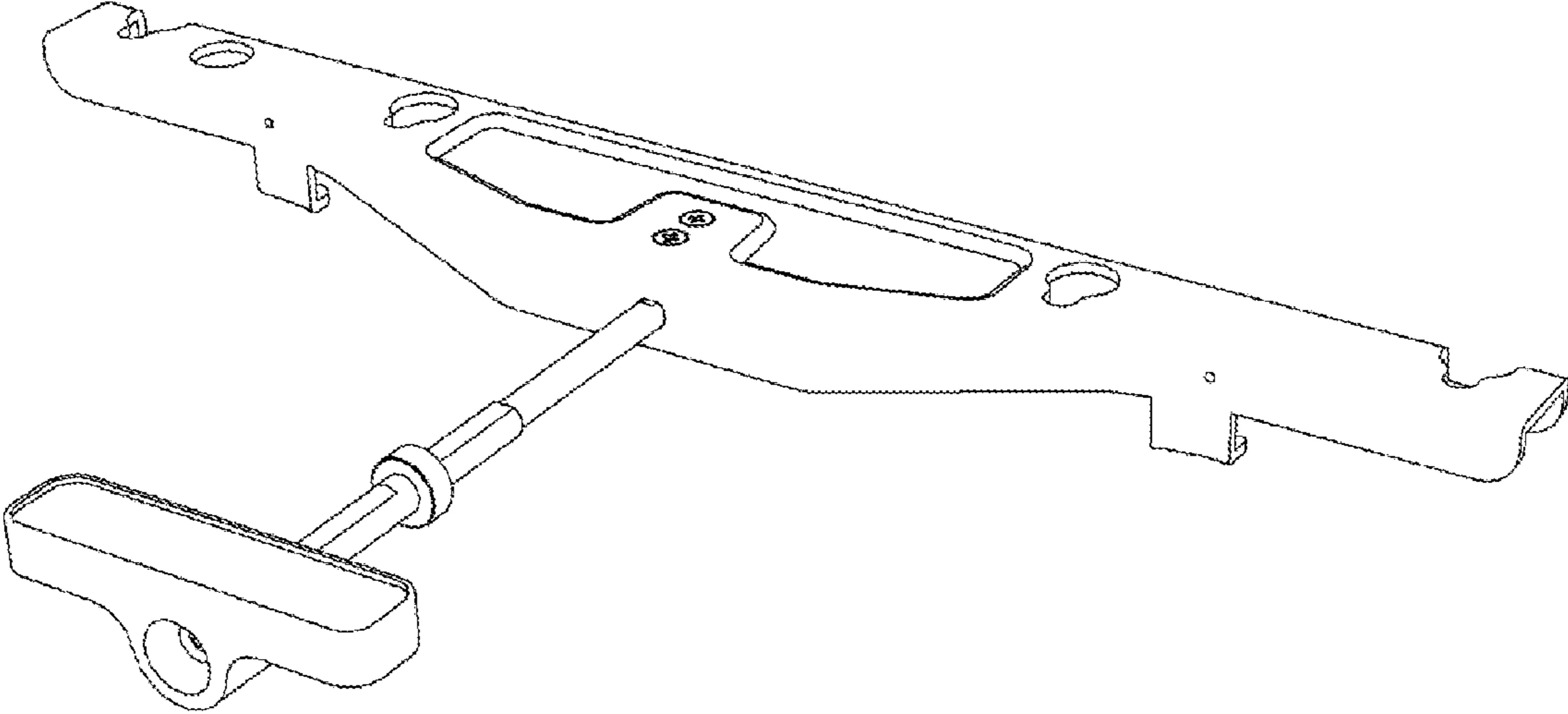


Fig. 1

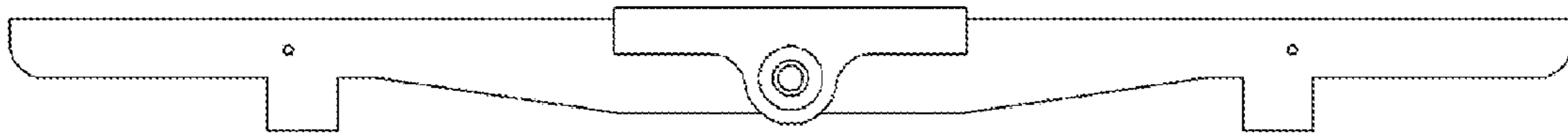


Fig. 2

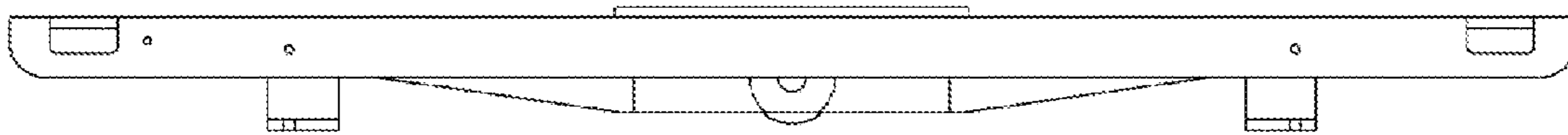


Fig. 3

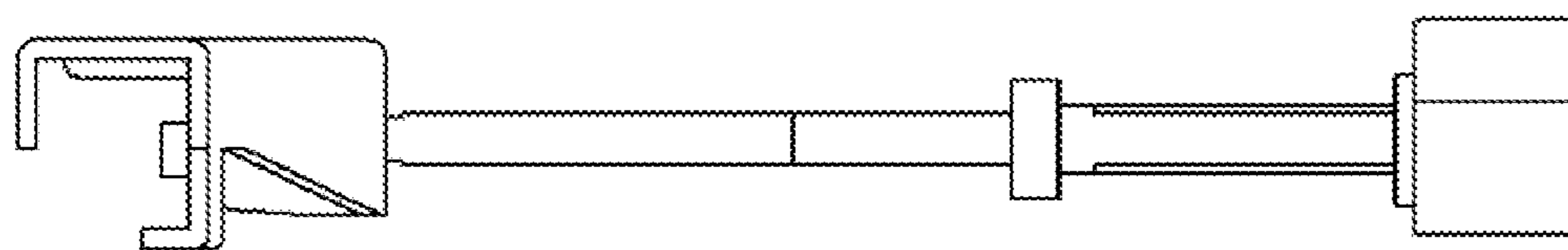


Fig. 4

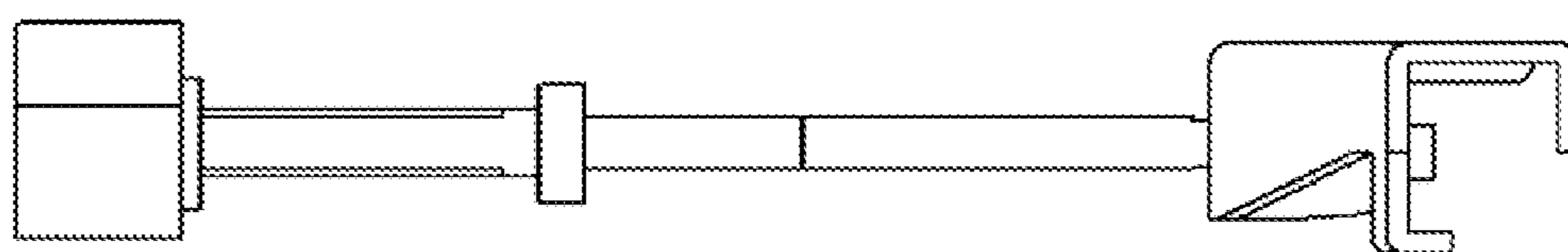


Fig. 5

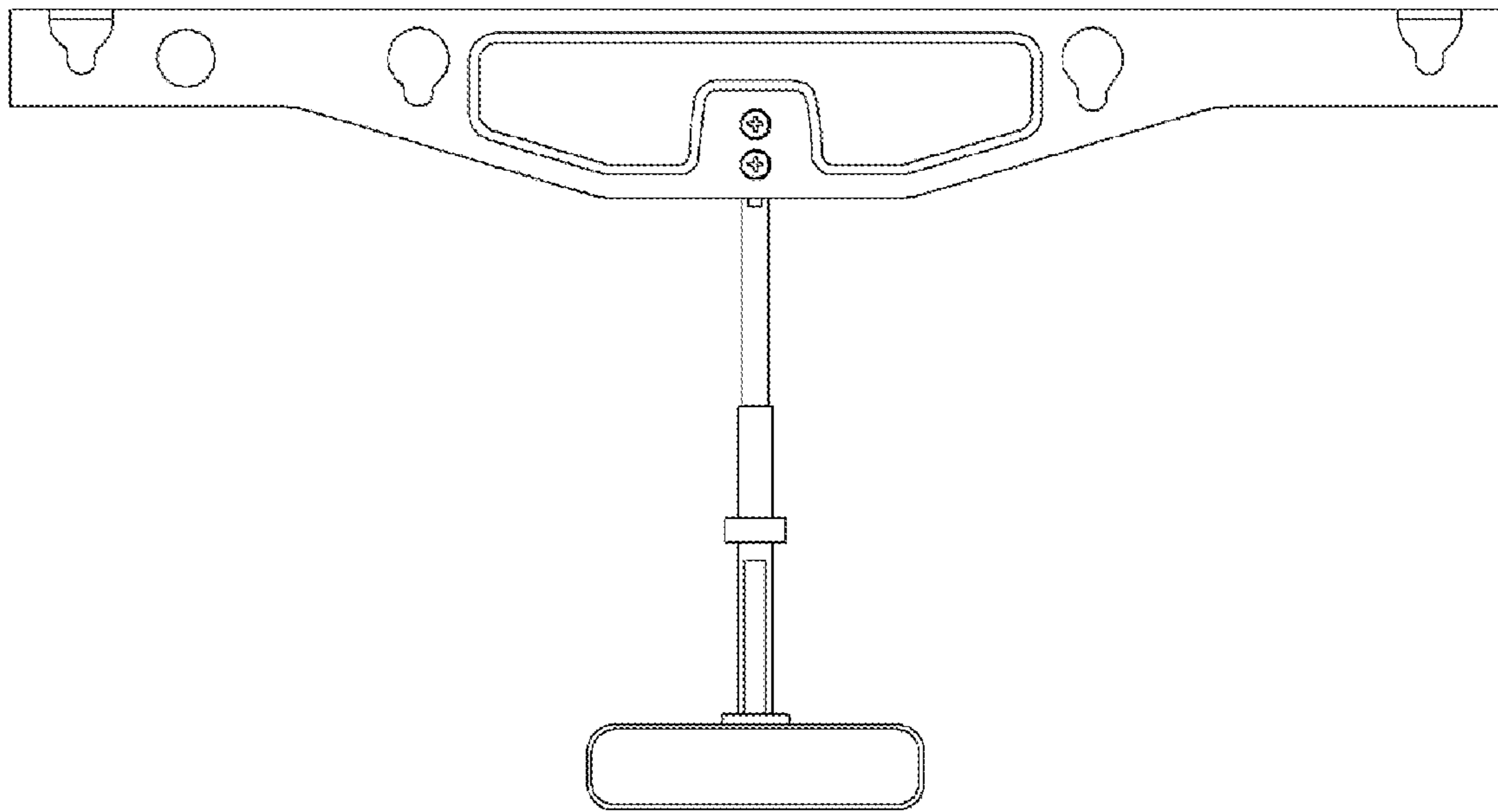


Fig. 6

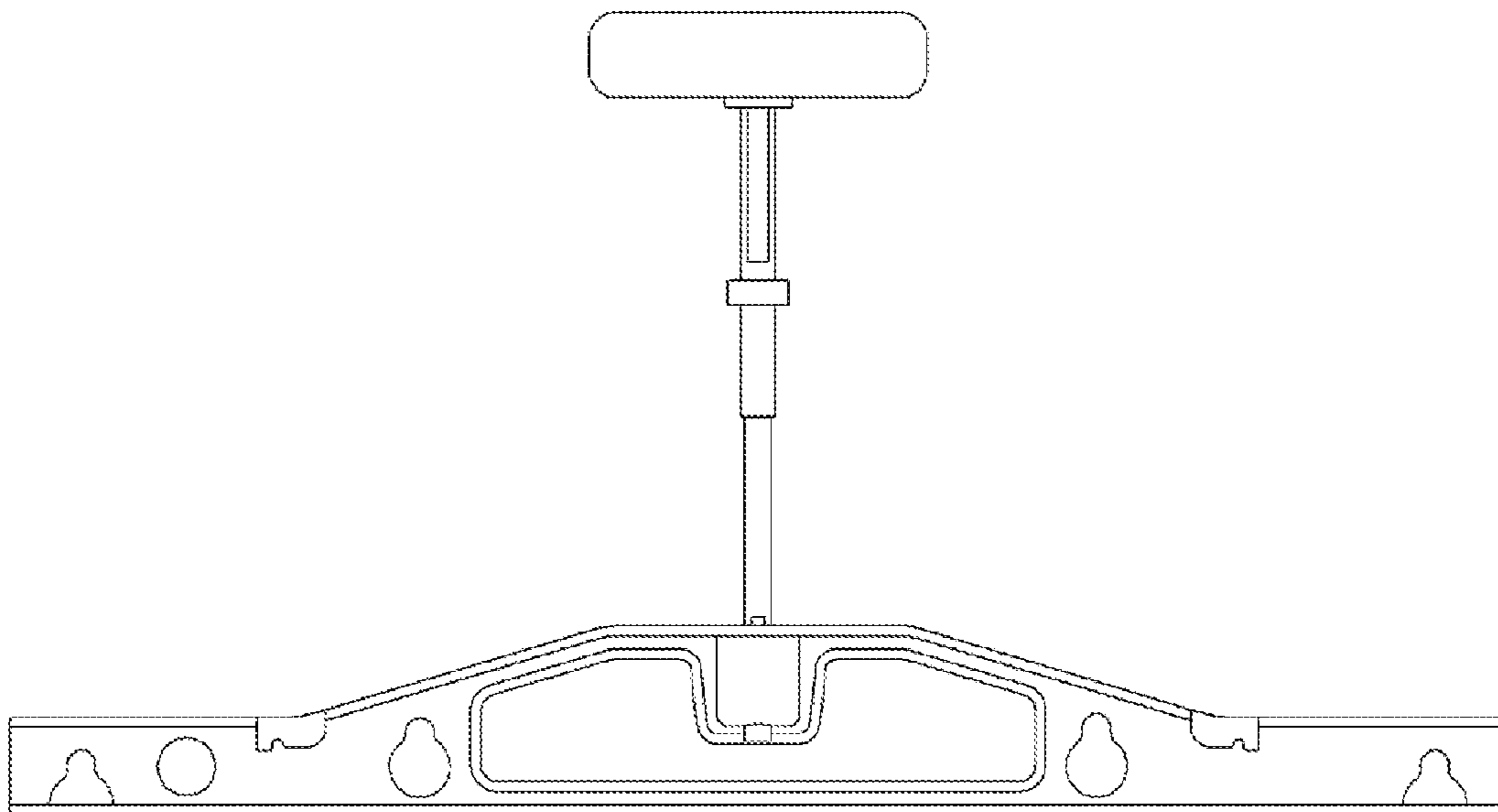


Fig. 7

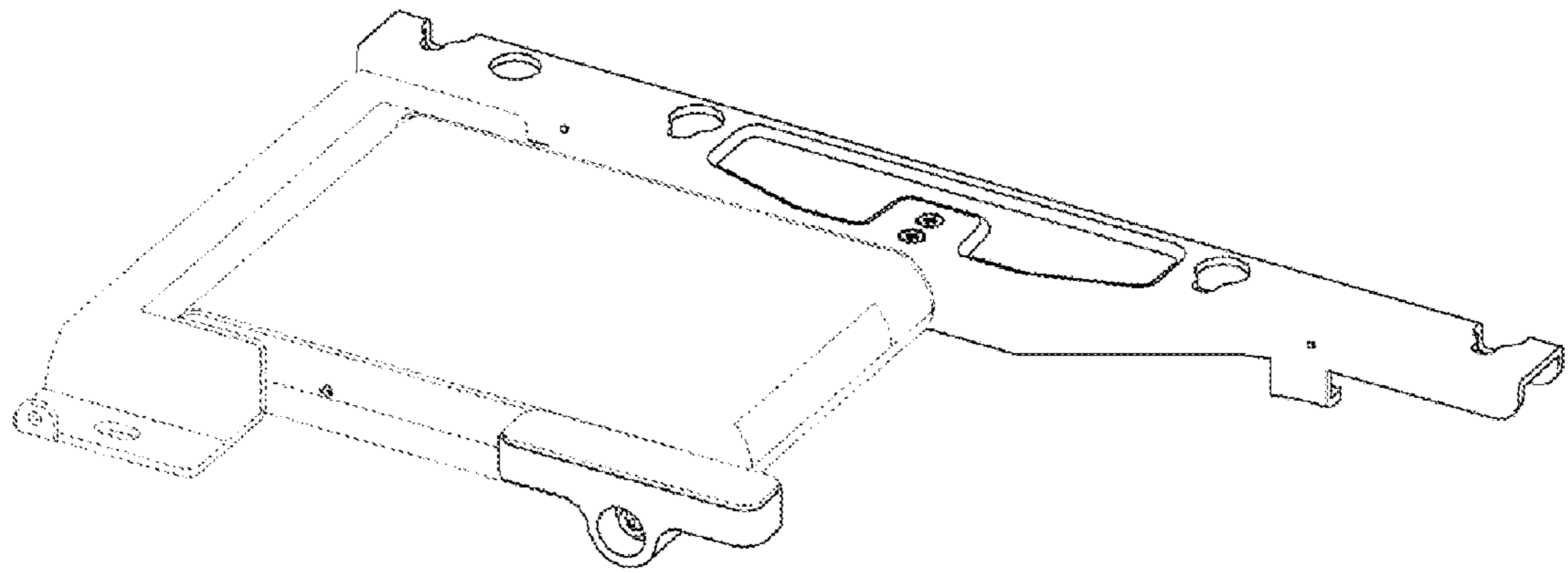


Fig. 8