



US00D620926S

(12) **United States Design Patent**
Wai

(10) **Patent No.:** **US D620,926 S**

(45) **Date of Patent:** **** Aug. 3, 2010**

(54) **SOUND AMPLIFICATION EAR DEVICE**

(76) **Inventor:** **Victor Kingsun Wai**, Well Brain International Limited, 1814 North Tower, Concordia Plaza, 1 Science Museum Road, TST Kowloon (HK)

(**) **Term:** **14 Years**

(21) **Appl. No.:** **29/325,730**

(22) **Filed:** **Oct. 4, 2008**

(51) **LOC (9) Cl.** **14-01**

(52) **U.S. Cl.** **D14/223; D24/174**

(58) **Field of Classification Search** D14/205, D14/206, 223; 181/129, 130; 381/380, 381, 381/328, 330; 379/430, 431; D24/106, 174; 128/864

See application file for complete search history.

(56) **References Cited**

U.S. PATENT DOCUMENTS

| | | | |
|--------------|---------|-----------------------|---------|
| D461,791 S | 8/2002 | Ma | |
| D471,889 S * | 3/2003 | Rath et al. | D14/205 |
| D485,549 S | 1/2004 | Ma et al. | |
| 6,724,903 B2 | 4/2004 | Niederdrank | |
| D494,569 S | 8/2004 | Ma | |
| D494,570 S | 8/2004 | Ma | |
| D497,613 S * | 10/2004 | Gwee | D14/223 |
| D498,750 S * | 11/2004 | Ma | D14/223 |
| D509,823 S * | 9/2005 | Han et al. | D14/223 |
| 7,013,014 B2 | 3/2006 | Ach-Kowalewski et al. | |
| 7,068,803 B2 | 6/2006 | Kuhlmann | |
| D554,626 S | 11/2007 | Christopher | |
| D555,150 S | 11/2007 | Christopher et al. | |

| | | | |
|-----------------|---------|-----------------|---------|
| D556,740 S * | 12/2007 | Xavier | D14/223 |
| D561,743 S | 2/2008 | Huang et al. | |
| D562,310 S * | 2/2008 | Moon et al. | D14/223 |
| D562,808 S * | 2/2008 | Gwee | D14/223 |
| D569,842 S * | 5/2008 | Yang | D14/205 |
| D572,241 S * | 7/2008 | Gwee | D14/223 |
| D582,899 S * | 12/2008 | Wai | D14/223 |
| D591,274 S * | 4/2009 | Khubani | D14/223 |
| D600,682 S * | 9/2009 | Wai | D14/223 |
| D609,695 S * | 2/2010 | Cigliano et al. | D14/205 |
| 2008/0002848 A1 | 1/2008 | Heerlein et al. | |

* cited by examiner

Primary Examiner—Paula Greene

(74) *Attorney, Agent, or Firm*—Jellett Law PS

(57) **CLAIM**

The ornamental design for a sound amplification ear device, as shown and described.

DESCRIPTION

FIG. 1 is a top perspective view of a sound amplification ear device showing my new design;

FIG. 2 is a bottom perspective view thereof;

FIG. 3 is a side elevation view thereof;

FIG. 4 is a bottom plan view thereof;

FIG. 5 is a top plan view thereof;

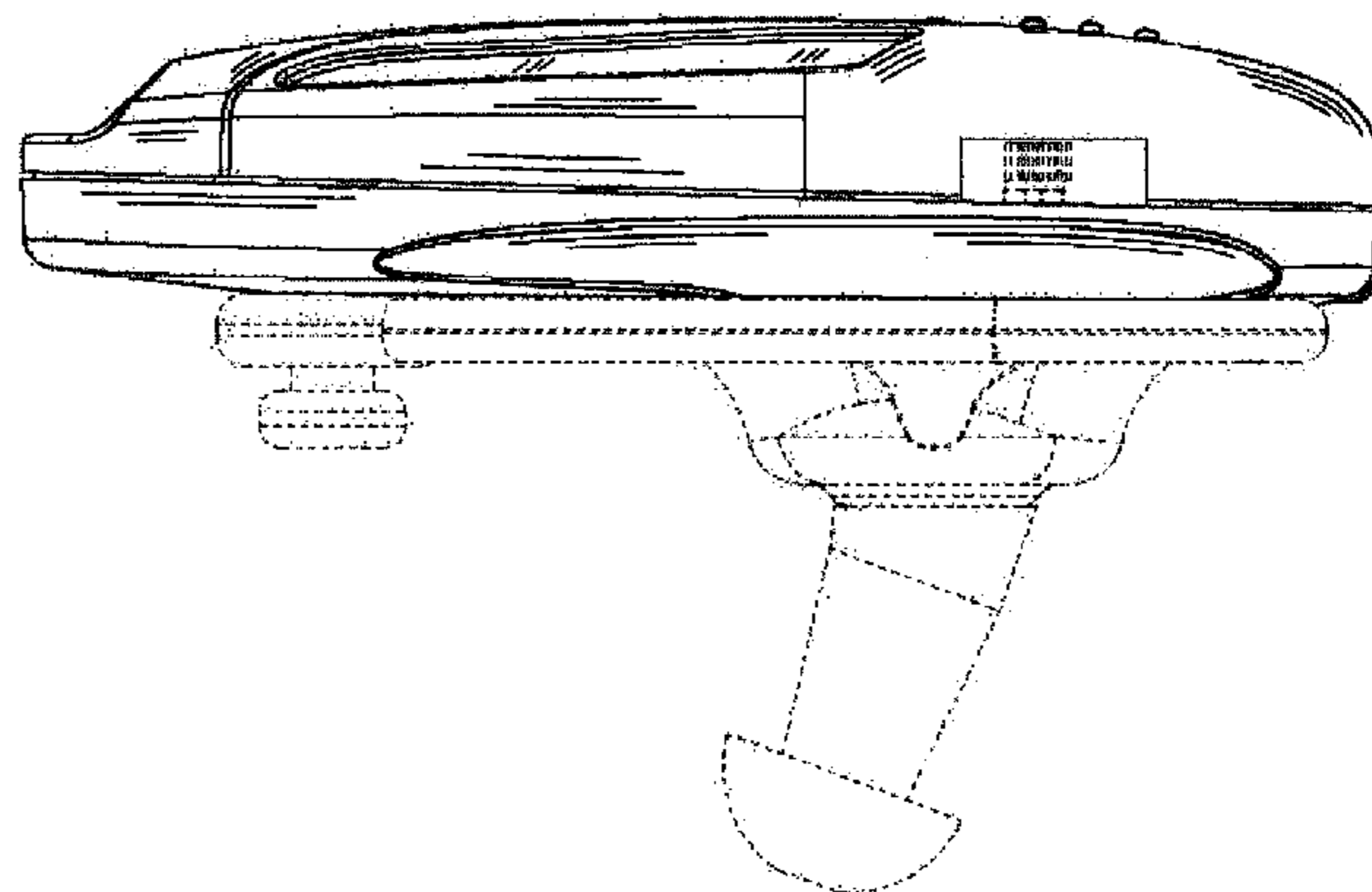
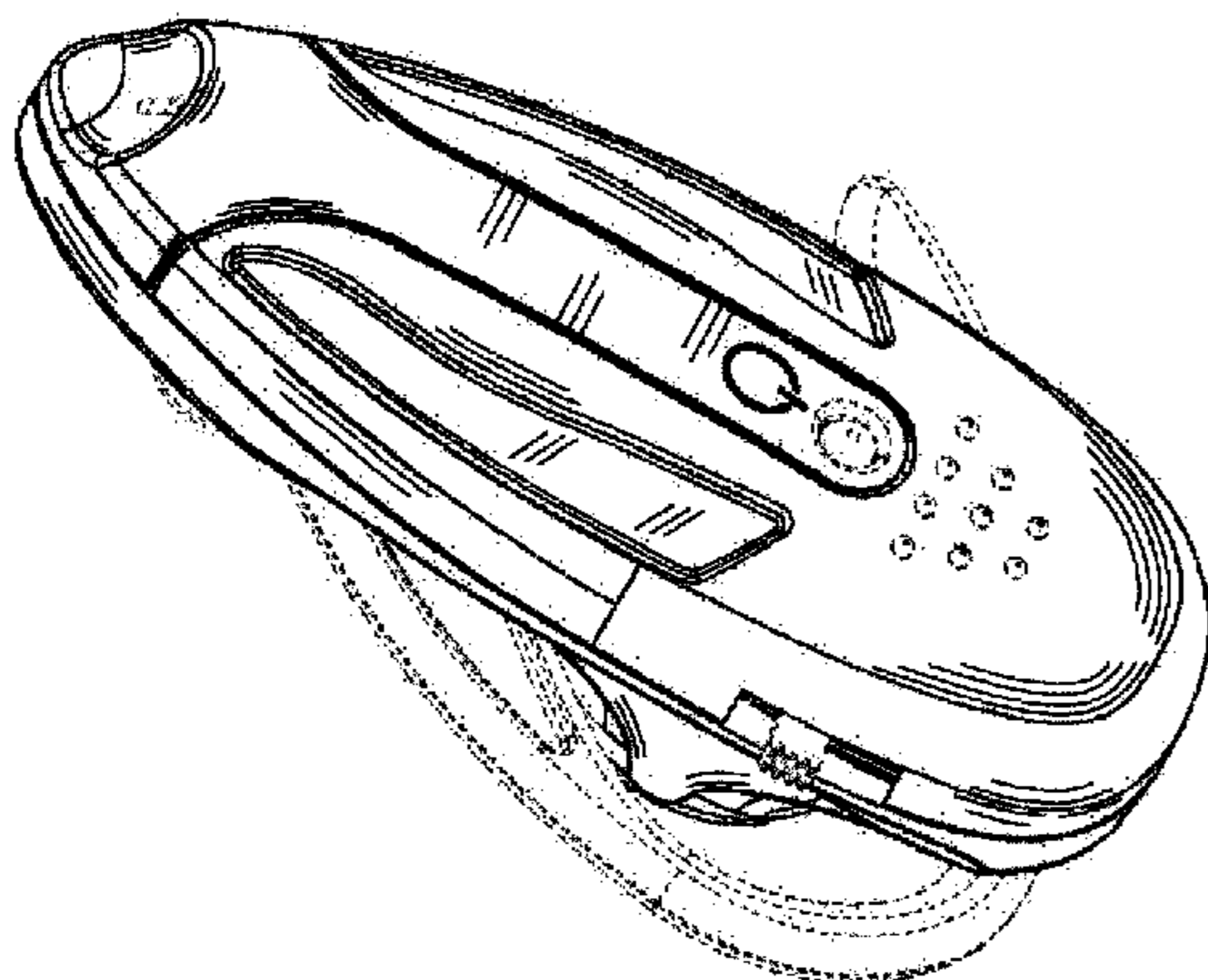
FIG. 6 is a side elevation view thereof;

FIG. 7 is a front elevation view thereof; and,

FIG. 8 is a back elevation view thereof.

The dashed lines form no part of the claimed design.

1 Claim, 4 Drawing Sheets



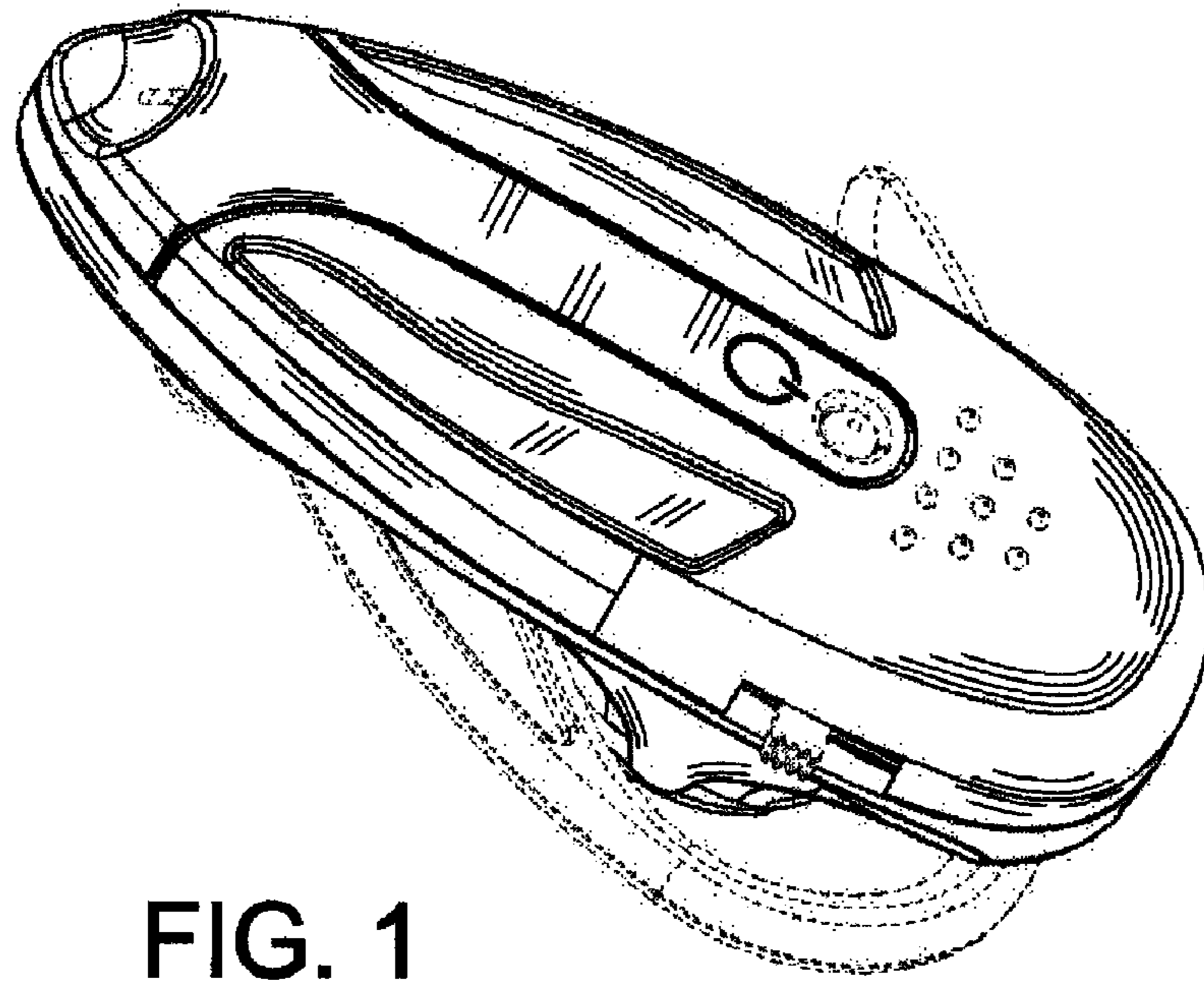


FIG. 1

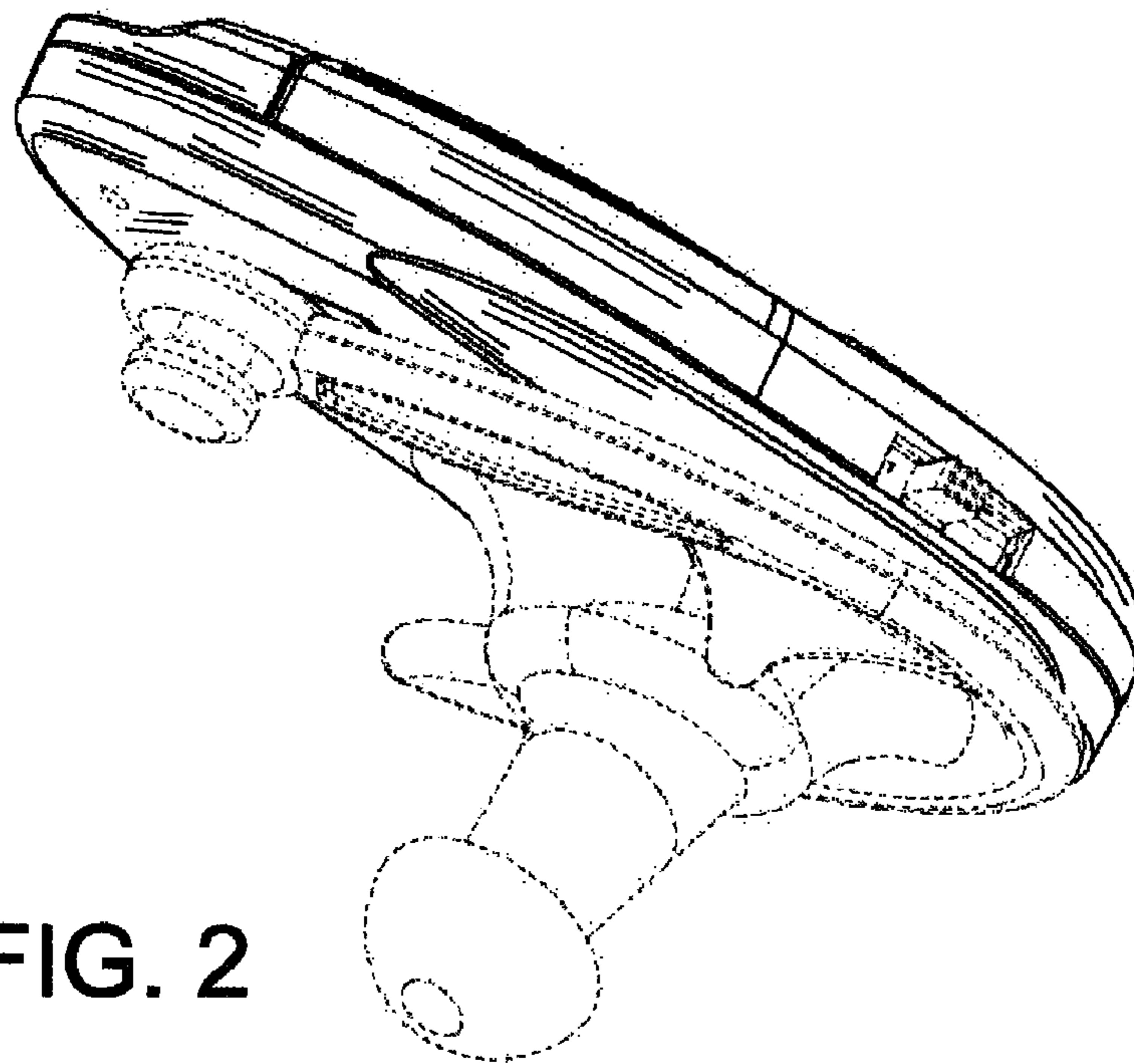


FIG. 2

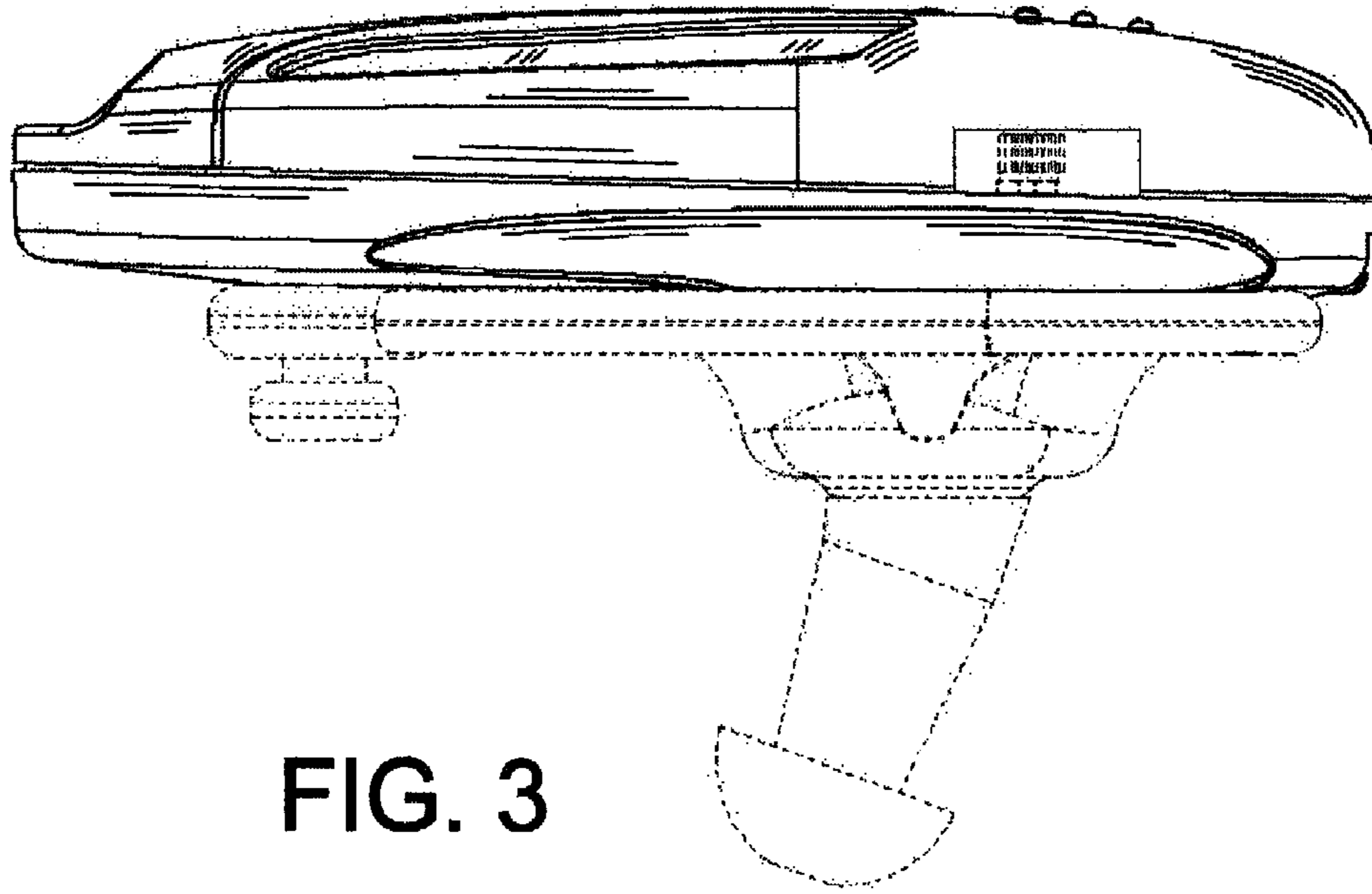


FIG. 3

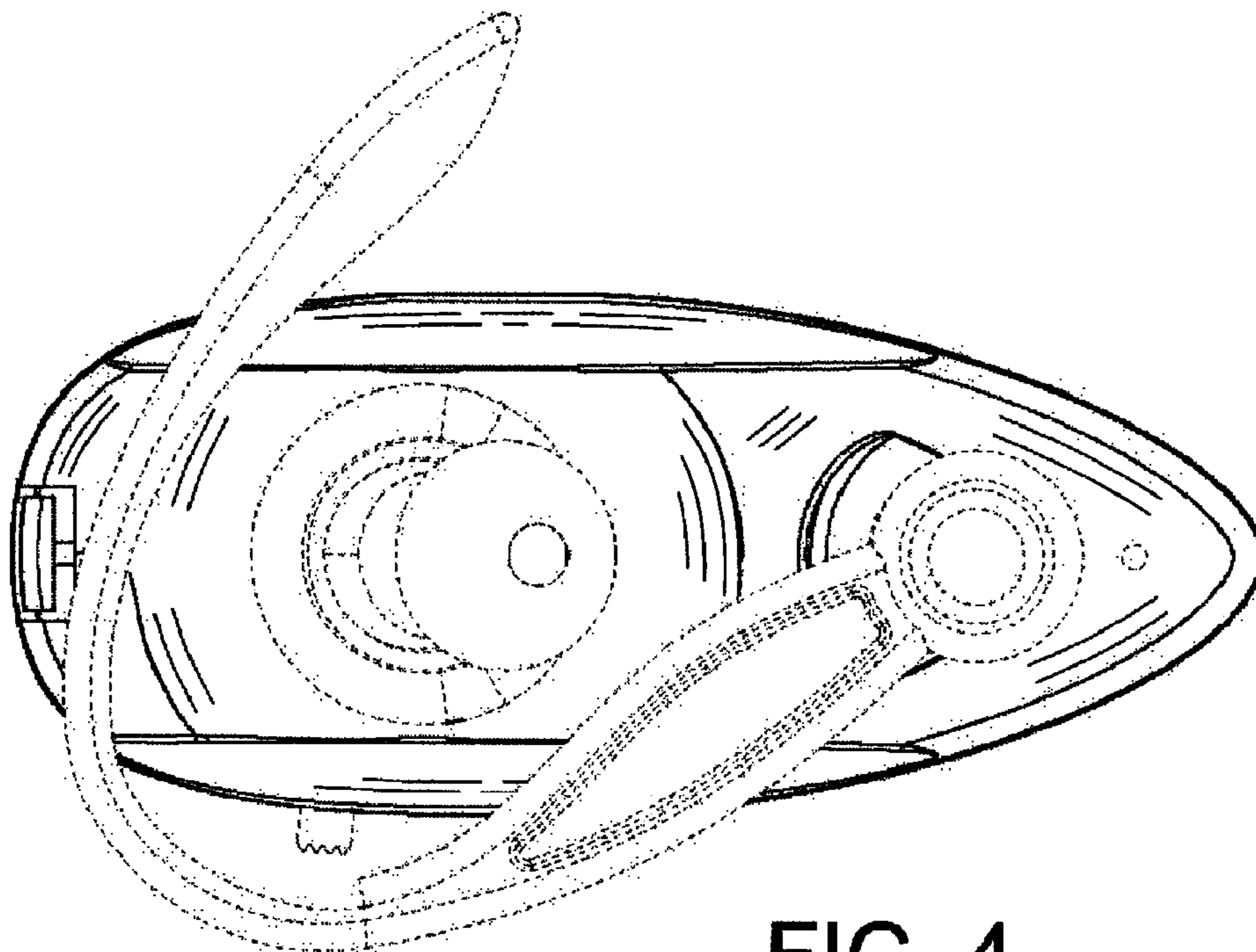


FIG. 4

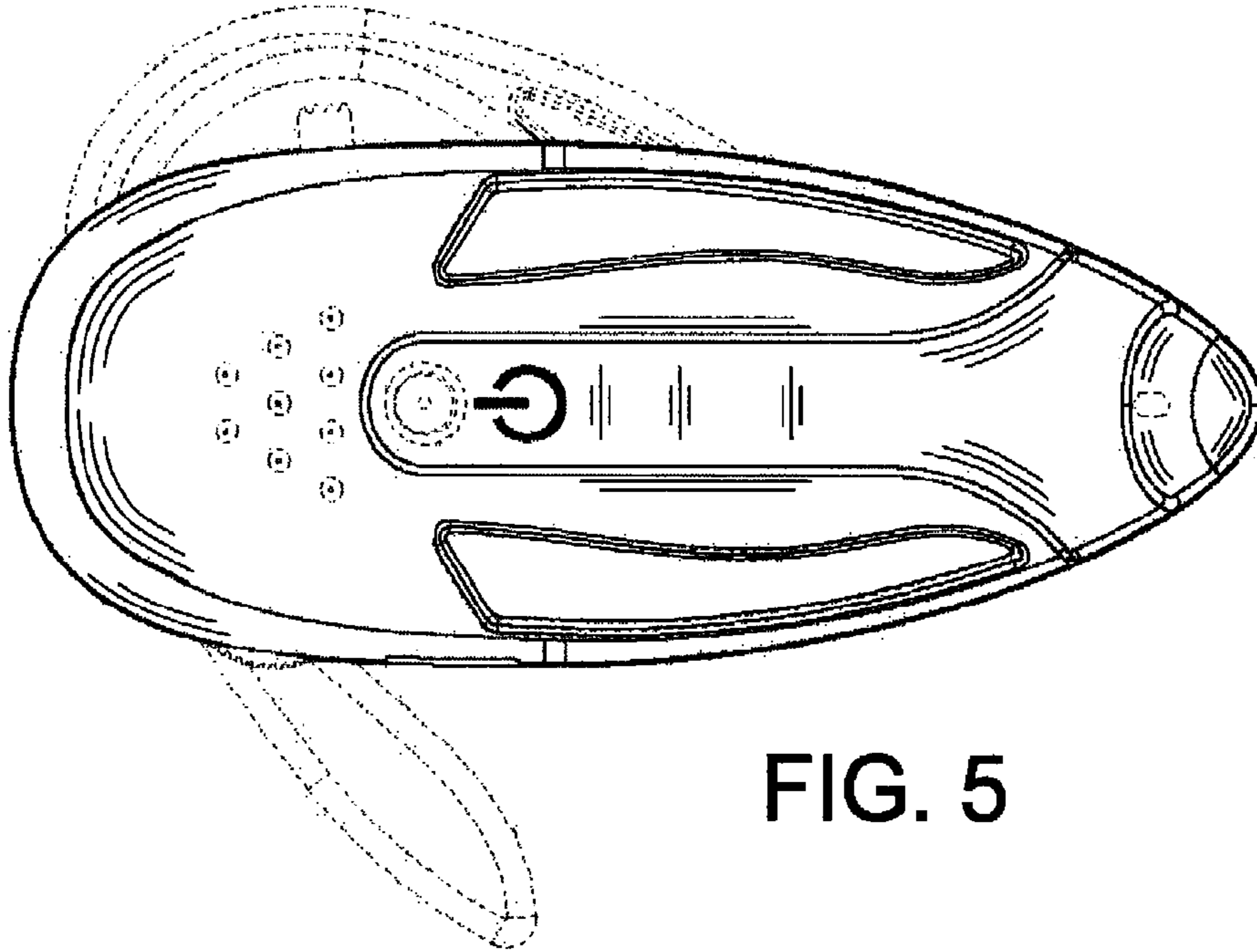


FIG. 5

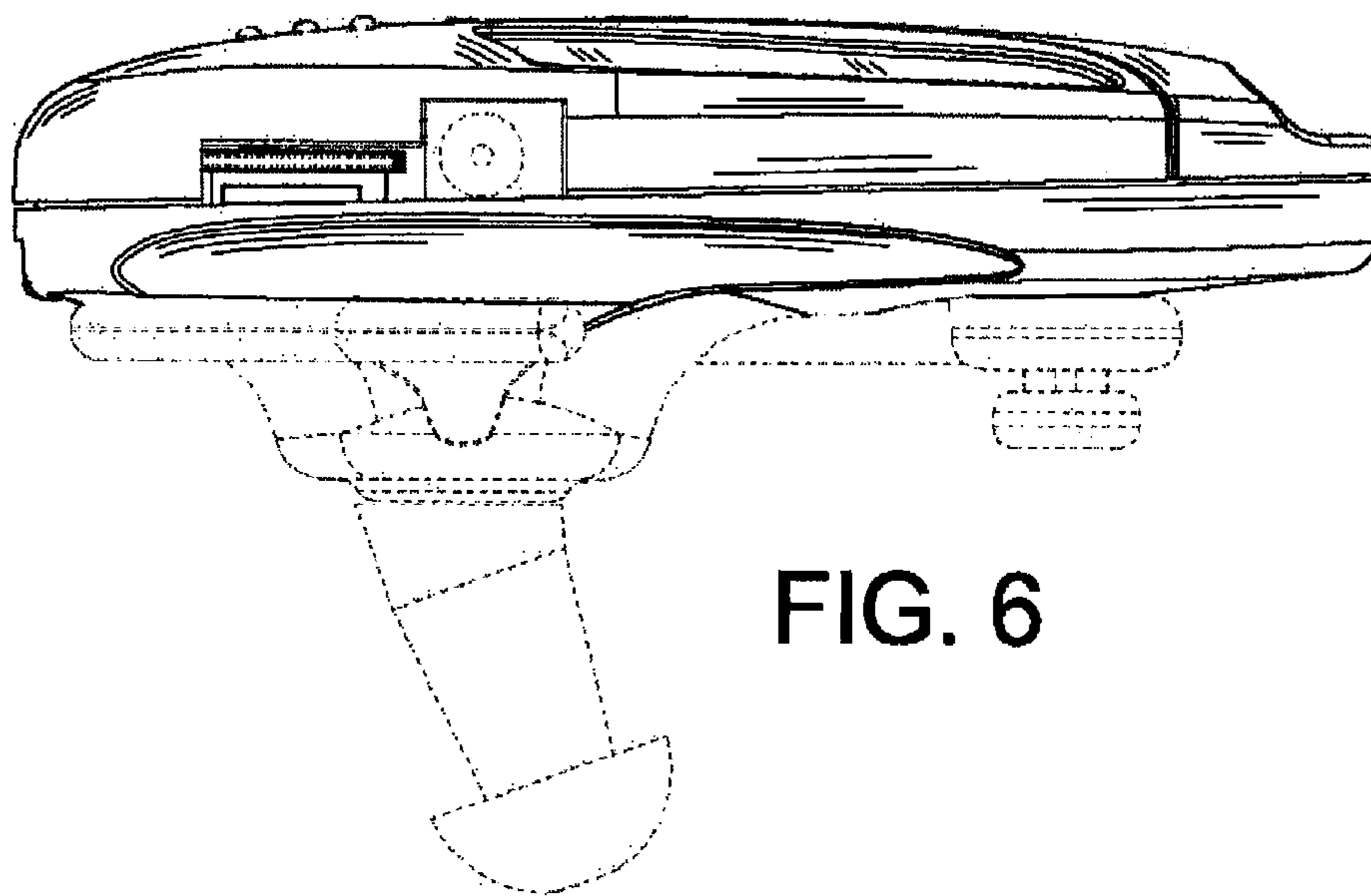


FIG. 6

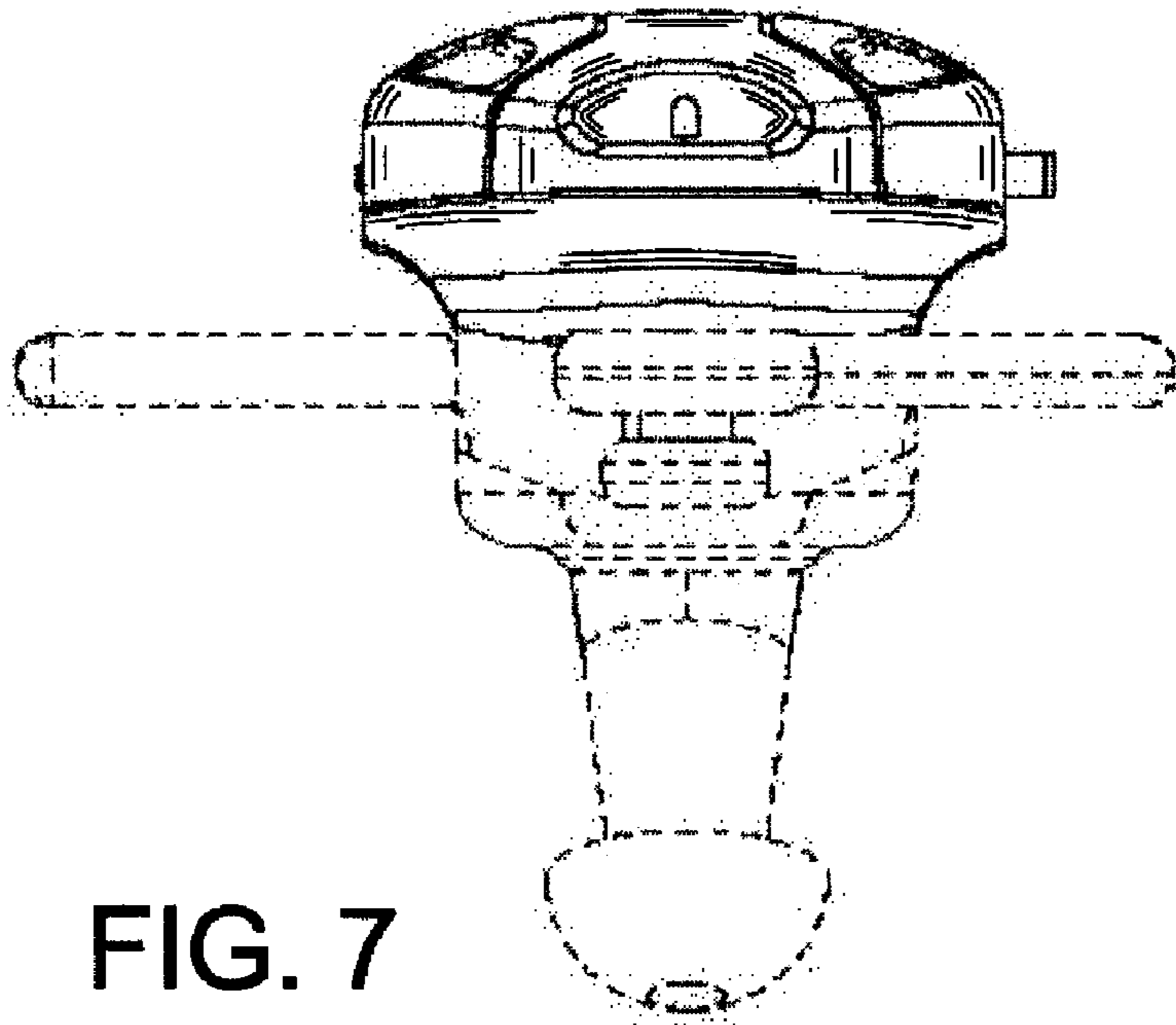


FIG. 7

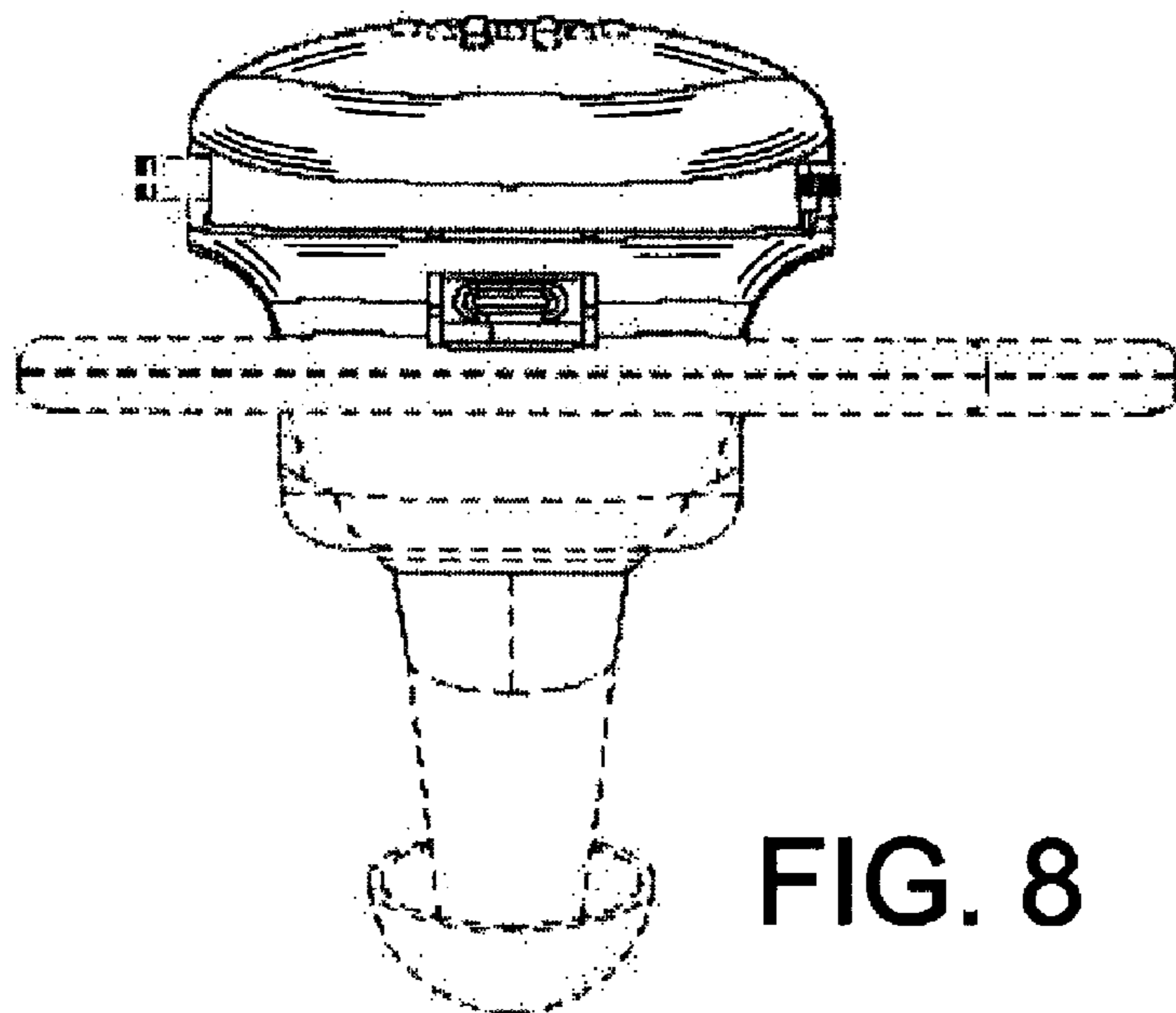


FIG. 8