



US00D620924S

(12) **United States Design Patent**
Masui et al.

(10) **Patent No.:** **US D620,924 S**
(45) **Date of Patent:** **** Aug. 3, 2010**

(54) **COMBINED DISC PLAYER, AMPLIFIER,
TUNER AND AUDIO PLAYER**

7,372,119 B2 * 5/2008 Nakamura et al. 257/427
D585,071 S * 1/2009 Ikeda et al. D14/455

(75) Inventors: **Kirio Masui**, Tokyo (JP); **Asami Yamagishi**, Tokyo (JP); **Naoto Shimizu**, Tokyo (JP)

(Continued)

(73) Assignee: **Sony Corporation**, Tokyo (JP)

FOREIGN PATENT DOCUMENTS

(**) Term: **14 Years**

CN 3429707 S 3/2005

(21) Appl. No.: **29/309,248**

(22) Filed: **Jul. 11, 2008**

(Continued)

(30) **Foreign Application Priority Data**

OTHER PUBLICATIONS

Jan. 11, 2008 (JP) D2008-000513

Office Action (Japanese Design Application No. 2008-000513) mailed on Oct. 3, 2008 (Japan) (4 sheets including following three evidences CB, CC and CD).

(51) **LOC (9) Cl.** **14-03**

(52) **U.S. Cl.** **D14/217; D14/498**

(58) **Field of Classification Search** D14/496,
D14/401, 435, 474, 483, 217, 137, 138, 160,
D14/168, 356, 203.1-203.8, 507, 188, 191,
D14/333-339, 455, 327, 346, 392, 439, 387-389,
D14/498-505; 345/156, 169, 173-179, 905;
715/727-729, 864; 710/1, 5, 8; 713/1, 600;
455/1.1, 1.7, 73, 344-347, 93, 95, 3.01-3.06,
455/550.1, 573.1; 370/342-344; 369/1,
369/2, 6-12, 75.11, 75.24; 463/43-47; 273/148 B;
D13/164, 168; D21/324-333, 409

(Continued)

Primary Examiner—Prabhakar Deshmukh

(74) *Attorney, Agent, or Firm*—Rader, Fishman & Grauer PLLC

See application file for complete search history.

(57) **CLAIM**

The ornamental design for a combined disc player, amplifier, tuner and audio player, as shown and described.

(56) **References Cited**

DESCRIPTION

U.S. PATENT DOCUMENTS

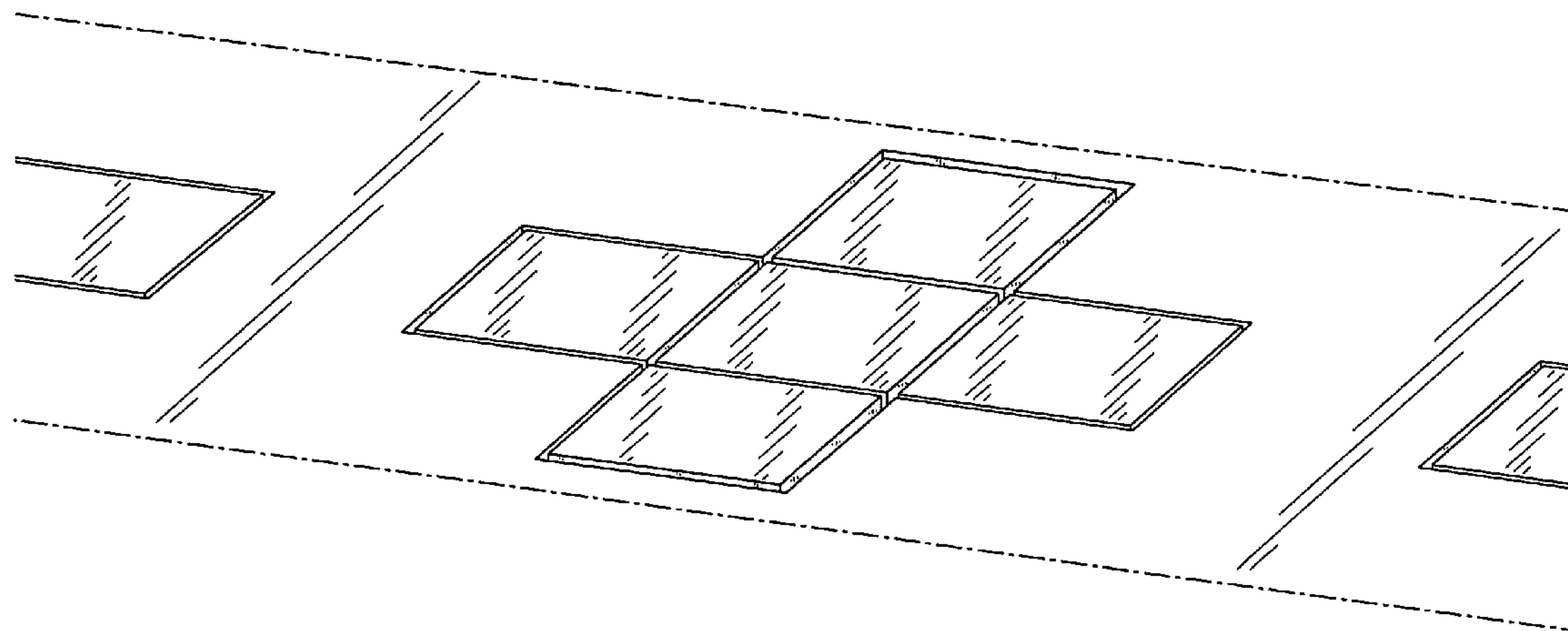
D260,785 S * 9/1981 Mayer D21/329
D263,827 S * 4/1982 Pemberton D14/334
D266,848 S * 11/1982 Dickinson D14/333
5,231,380 A * 7/1993 Logan 345/156
D354,477 S * 1/1995 Kawamura et al. D23/309
D418,820 S 1/2000 Shintani et al.
6,549,190 B1 * 4/2003 Windrem 345/168
D490,816 S * 6/2004 Sokolowski D14/455
D518,031 S * 3/2006 Wu D14/218
D531,990 S 11/2006 Kobayashi

FIG. 1 is a top plan view of a combined disc player, amplifier, tuner and audio player showing our new design; and,

FIG. 2 is an enlarged perspective view thereof.

The dot-dash broken lines, which define the bounds of the claimed design, form no part thereof. The even broken lines environmental are for illustrative purpose and form no part of the claimed design.

1 Claim, 2 Drawing Sheets



US D620,924 S

Page 2

U.S. PATENT DOCUMENTS

7,592,998 B2 * 9/2009 Anson 345/156
7,634,080 B2 * 12/2009 Zhao et al. 379/433.07

FOREIGN PATENT DOCUMENTS

JP D1307082 S 8/2007

OTHER PUBLICATIONS

Patent Office Prior Art No. HC16008450, "General Catalogue of Crime Surveillance Video Camera System", p. 36, Japan (Feb. 2004).
Patent Office Prior Art No. HA14023781, "Car and Driver" magazine, No. 1, vol. 26, p. 8, Japan (Jan. 10, 2003).
Patent Office Prior Art No. HH17003365, "Digital Audio Player", Chinese Design Publication (CN3429707D), No. 5 (Mar. 2, 2005).

* cited by examiner

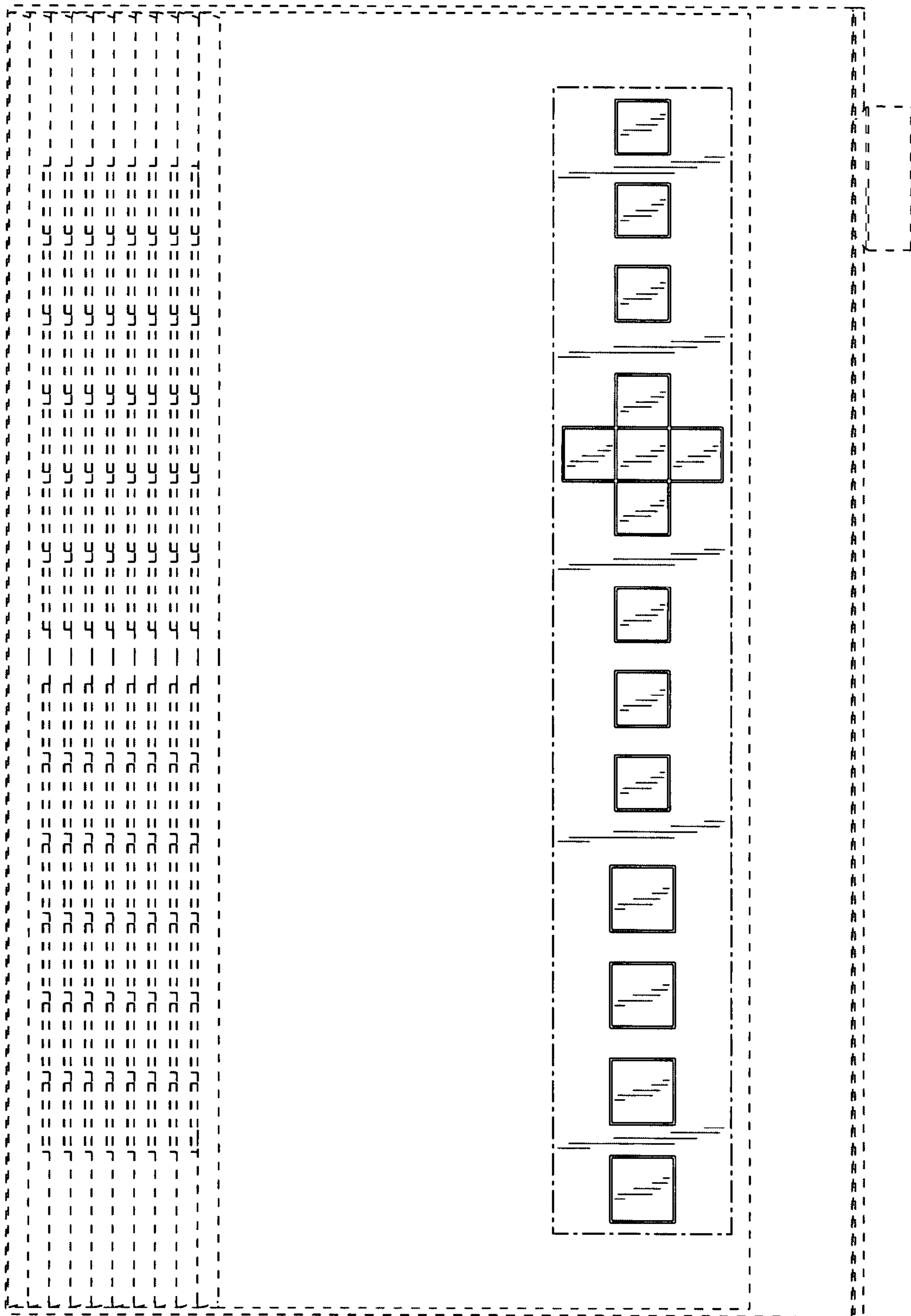


Fig.1

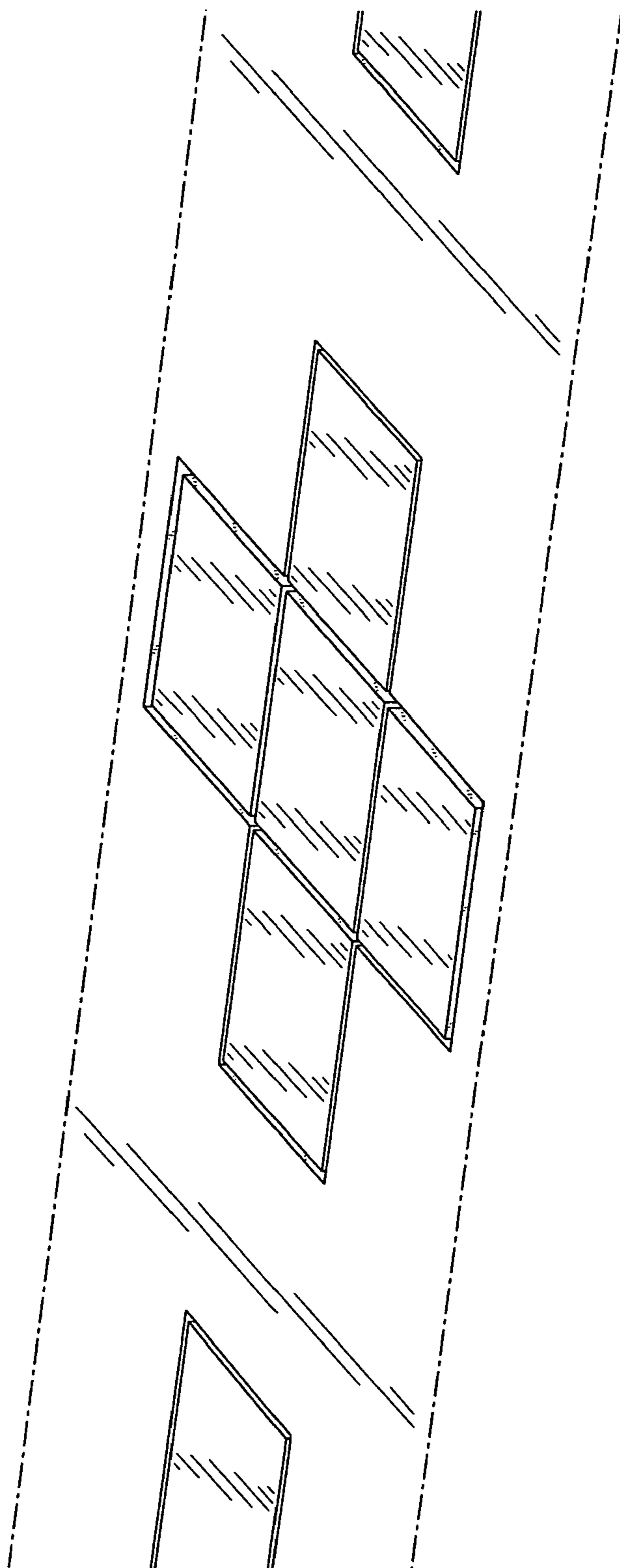


Fig.2