



US00D620923S

(12) **United States Design Patent**  
**Orfali**

(10) **Patent No.:** **US D620,923 S**

(45) **Date of Patent:** **\*\* Aug. 3, 2010**

(54) **SPEAKER SYSTEM**

(76) **Inventor:** **Chaby Victor Orfali**, 179 Exeter St.,  
Brooklyn, NY (US) 11235

(\*\*) **Term:** **14 Years**

(21) **Appl. No.:** **29/352,684**

(22) **Filed:** **Dec. 23, 2009**

(51) **LOC (9) Cl.** ..... **14-01**

(52) **U.S. Cl.** ..... **D14/209.1; D14/168**

(58) **Field of Classification Search** ..... D14/496,  
D14/499, 168, 170-171, 207, 209, 209.1,  
D14/210-214, 217; 181/143-144, 147-148,  
181/150, 157, 198-199; 381/300-302, 306,  
381/332-333, 345, 361-364, 386-388; 455/100,  
455/344, 347, 350, 351

See application file for complete search history.

(56) **References Cited**

**U.S. PATENT DOCUMENTS**

D310,668 S *	9/1990	Takada	.....	D14/499
D347,765 S *	6/1994	Unkefer	.....	D14/168
D450,047 S *	11/2001	Kim	.....	D14/507
D469,079 S *	1/2003	Cuvelier	.....	D14/168
D597,073 S *	7/2009	Khoo et al.	.....	D14/209.1

\* cited by examiner

*Primary Examiner*—Nanda Bondade

(74) *Attorney, Agent, or Firm*—Amster, Rothstein &  
Ebenstein LLP

(57) **CLAIM**

The ornamental design for a speaker system, as shown and  
described.

**DESCRIPTION**

FIG. 1 is a perspective view of a speaker system showing our  
new design;

FIG. 2 is a front view thereof;

FIG. 3 is a rear view thereof;

FIG. 4 is a right side view thereof;

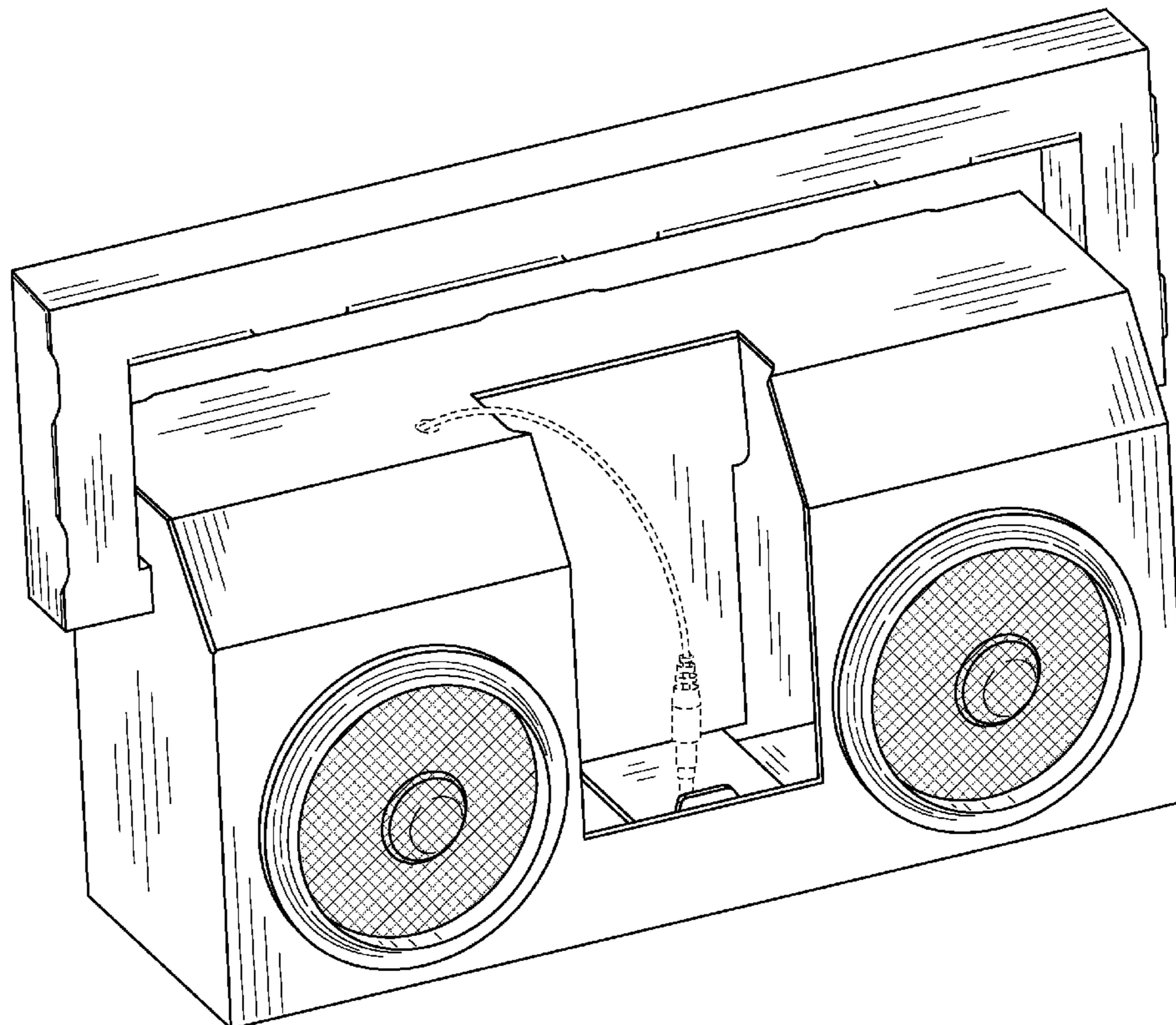
FIG. 5 is a left side view thereof;

FIG. 6 is a top view thereof; and,

FIG. 7 is a bottom view thereof.

The broken line showing on the drawing disclosure is for  
illustrative purposes only and forms no part of the claimed  
design.

**1 Claim, 5 Drawing Sheets**



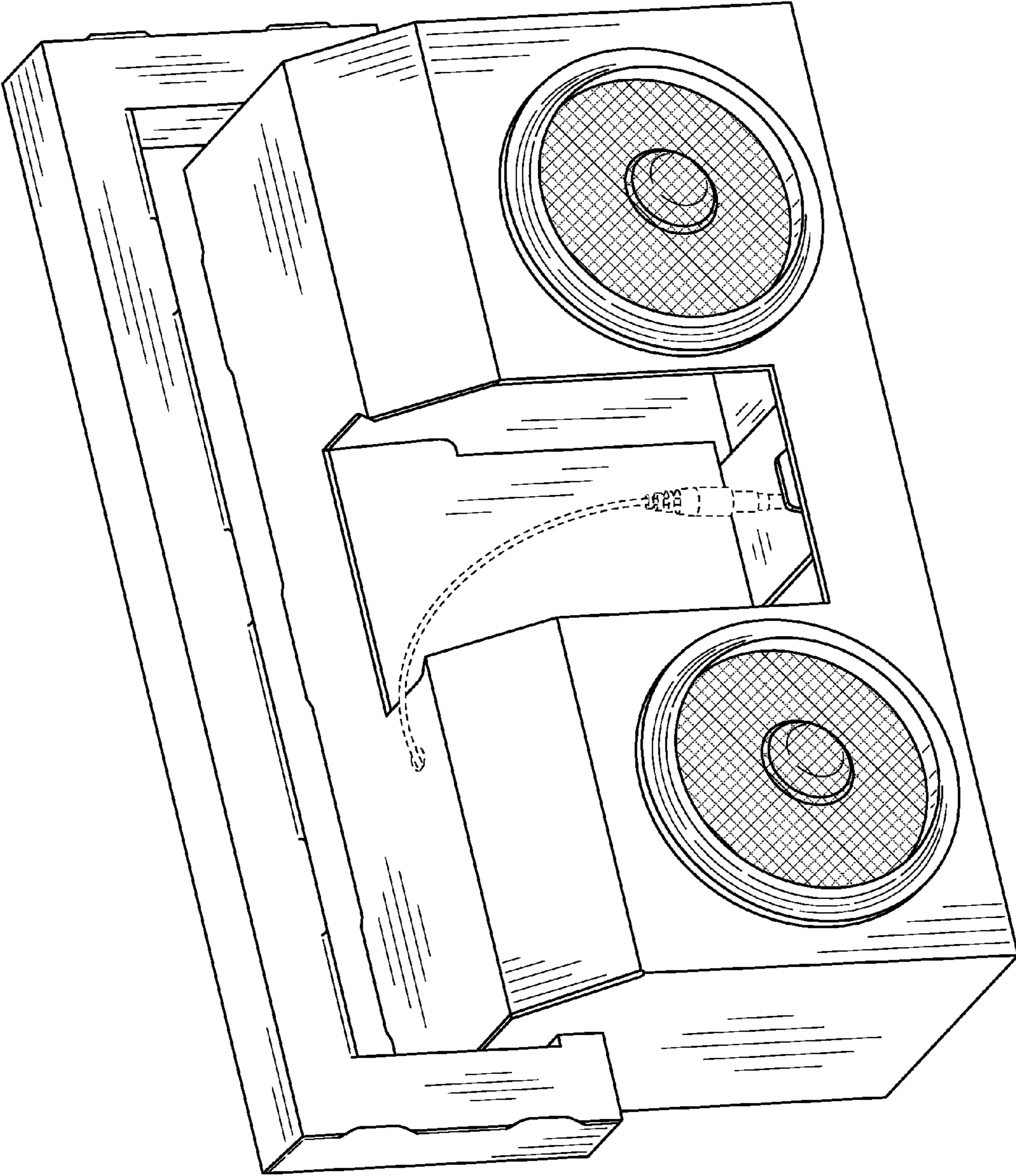


FIG. 1

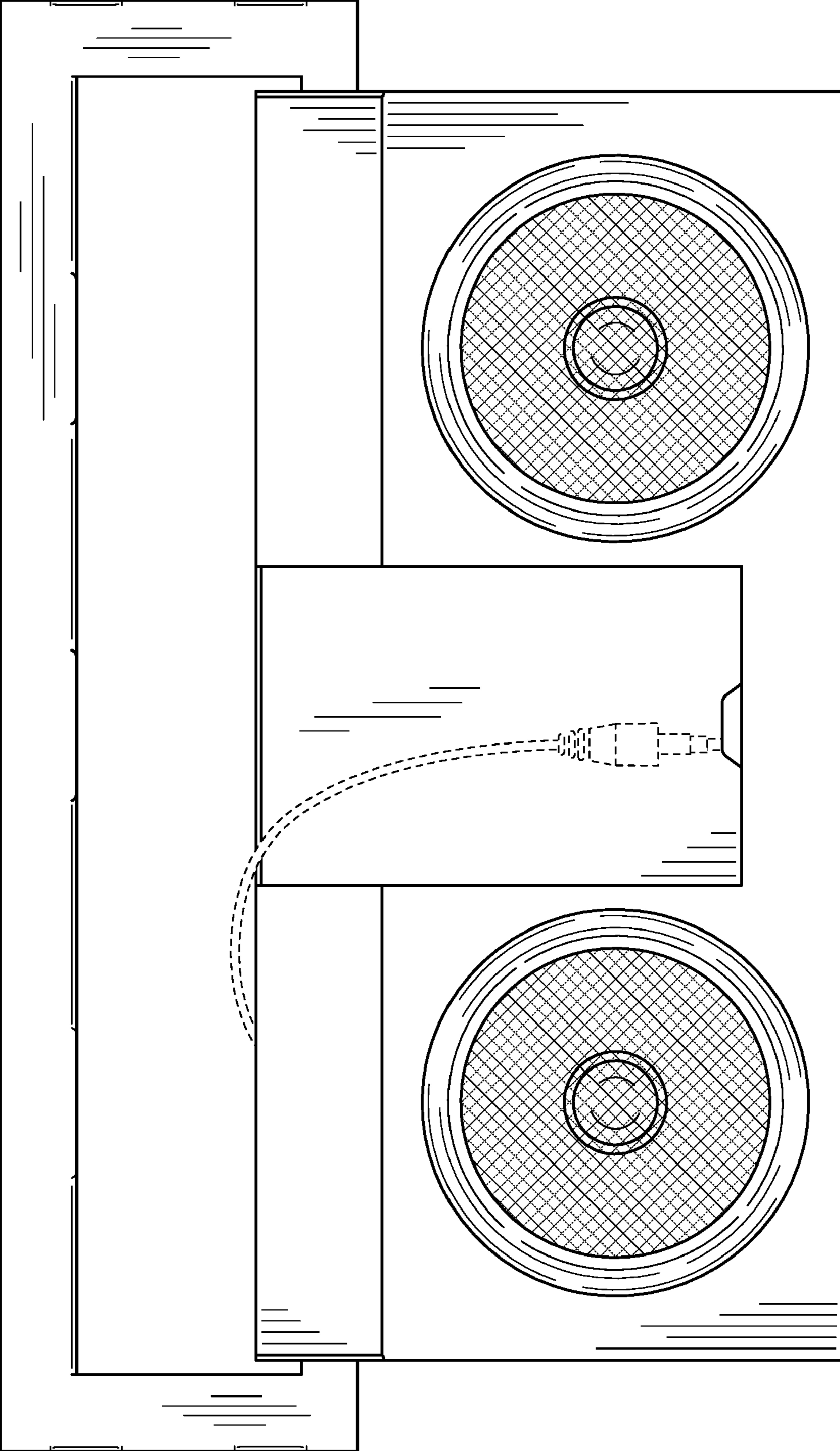


FIG. 2

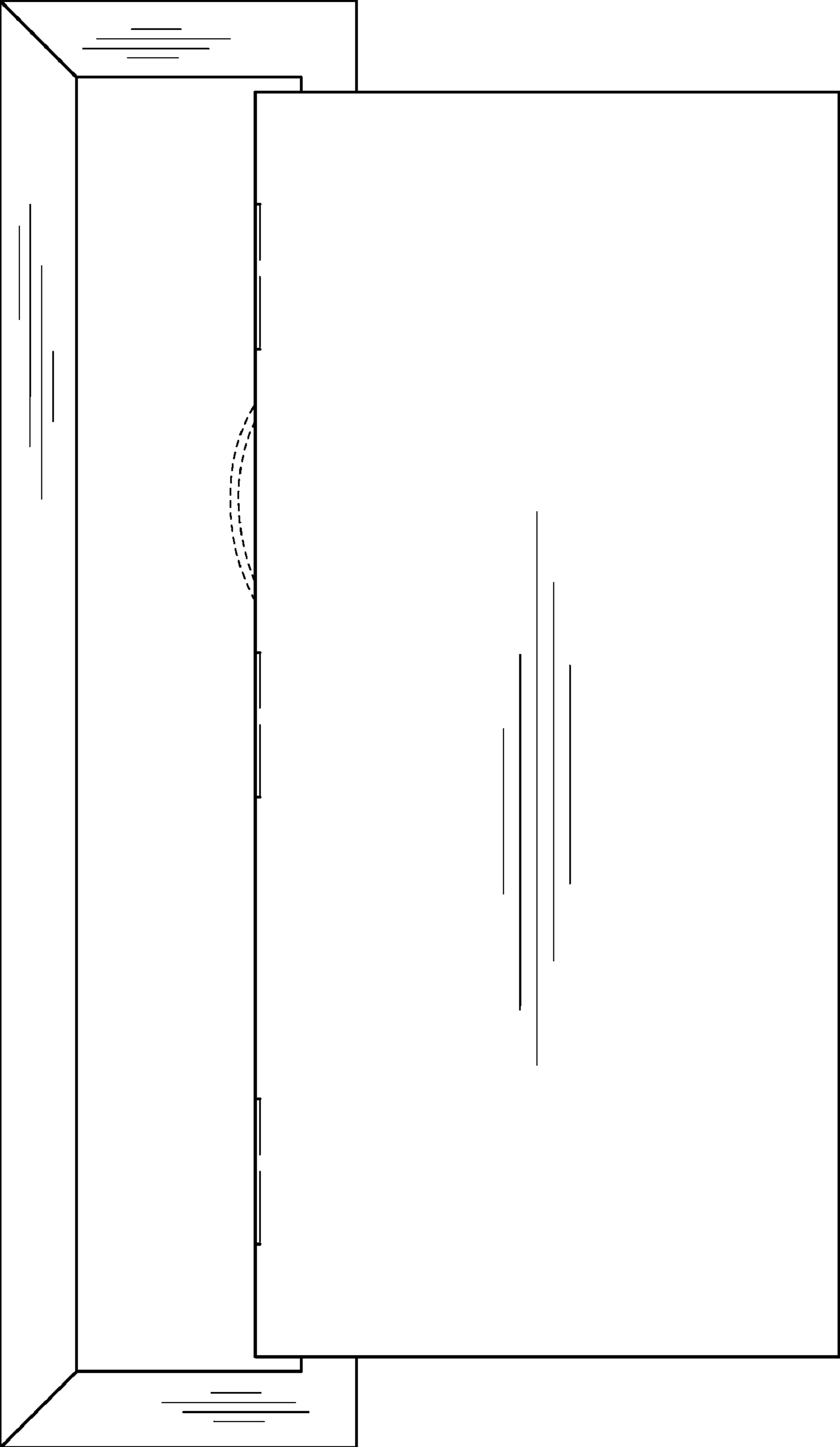


FIG. 3

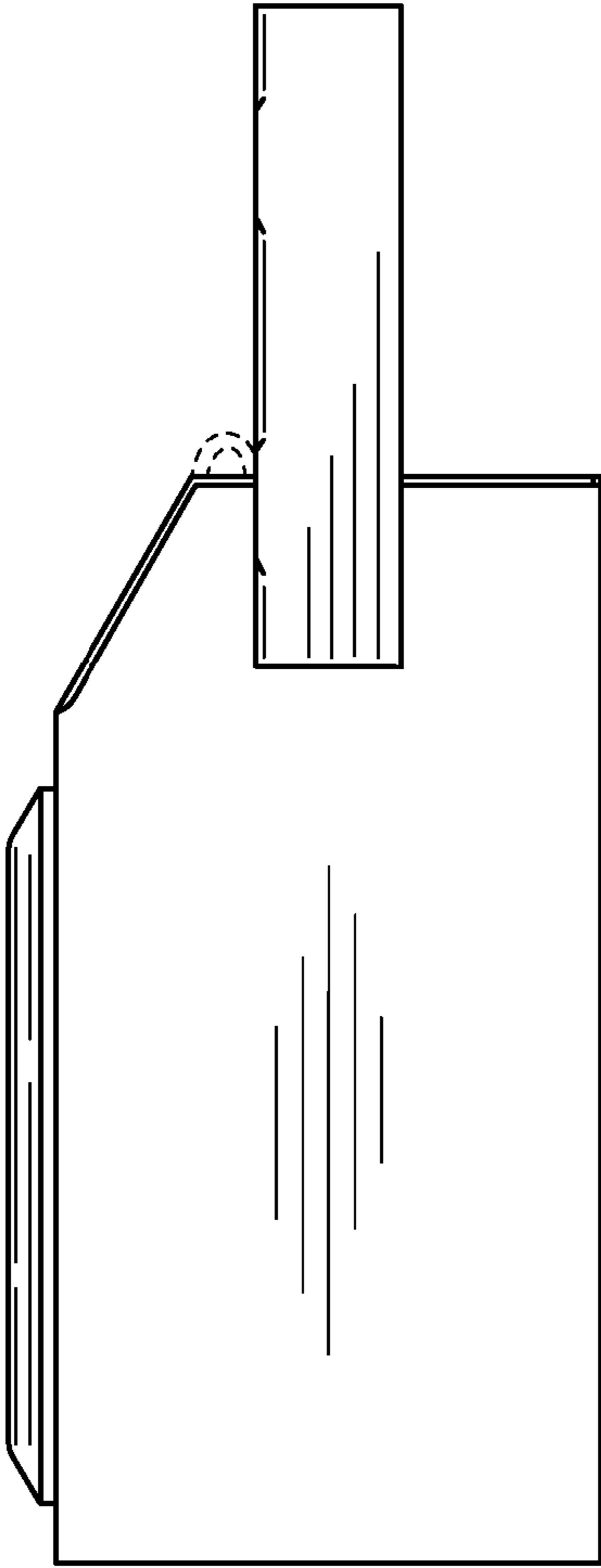


FIG. 4

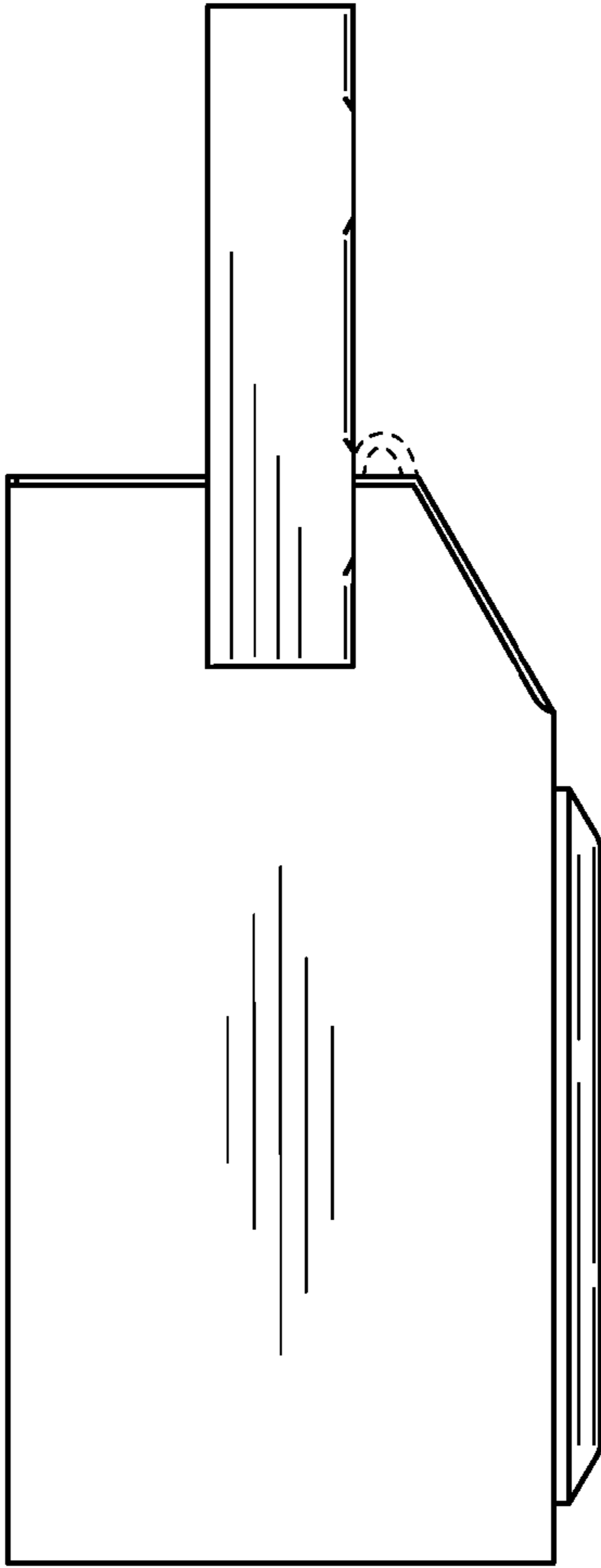


FIG. 5

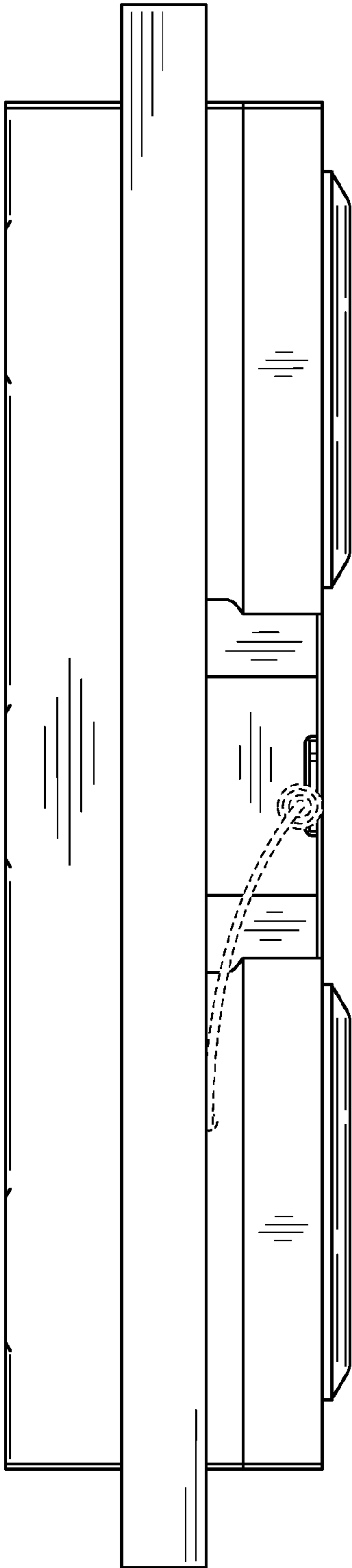


FIG. 6

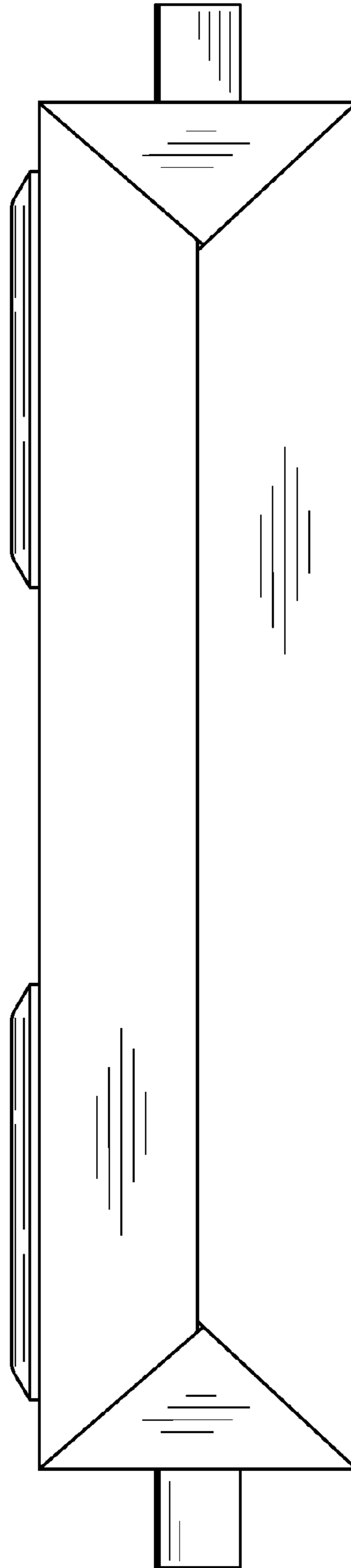


FIG. 7