



US00D620921S

(12) **United States Design Patent**
Skurdal

(10) **Patent No.:** **US D620,921 S**
(45) **Date of Patent:** **** Aug. 3, 2010**

(54) **SPEAKER SYSTEM WITH MEDIA PLAYER DOCK AND RECHARGEABLE BATTERIES**

(75) Inventor: **Andrew Skurdal**, Jersey City, NJ (US)

(73) Assignee: **SDI Technologies, Inc.**, Rahway, NJ (US)

(**) Term: **14 Years**

(21) Appl. No.: **29/350,968**

(22) Filed: **Nov. 25, 2009**

(51) **LOC (9) Cl.** **14-01**

(52) **U.S. Cl.** **D14/209.1**

(58) **Field of Classification Search** D14/496,
D14/168, 170–171, 209, 209.1, 210–214,
D14/217; 181/143–144, 147–148, 150, 157,
181/198–199; 381/300–302, 306, 332–333,
381/345, 361–364, 386–388; 455/100, 344,
455/347, 350, 351

See application file for complete search history.

(56) **References Cited**

U.S. PATENT DOCUMENTS

D532,773 S *	11/2006	Langberg et al.	D14/168
D566,101 S *	4/2008	Griffin et al.	D14/214
D577,002 S *	9/2008	Kurihara	D14/171
D597,073 S *	7/2009	Khoo et al.	D14/209.1
D598,006 S *	8/2009	Tse	D14/209.1
D599,782 S *	9/2009	Tse	D14/209.1

* cited by examiner

Primary Examiner—Nanda Bondade

(74) *Attorney, Agent, or Firm*—Ostrolenk Faber LLP

(57) **CLAIM**

The ornamental design for a speaker system with media player dock and rechargeable batteries, as shown and described.

DESCRIPTION

FIG. 1 is a top, front, side, perspective view of a speaker system with media player dock and rechargeable batteries showing my new design;

FIG. 2 is a front view thereof;

FIG. 3 is a rear view thereof;

FIG. 4 is a top view thereof;

FIG. 5 is a bottom view thereof;

FIG. 6 is a side view thereof; the opposite side view being a mirror image;

FIG. 7 is a cross-sectional view thereof along the line 7—7 in FIG. 2;

FIG. 8 is a cross-sectional view thereof along the line 8—8 in FIG. 4;

FIG. 9 is a top, front, side, perspective view thereof in an alternate condition;

FIG. 10 is a front view thereof;

FIG. 11 is a rear view thereof;

FIG. 12 is a top view thereof;

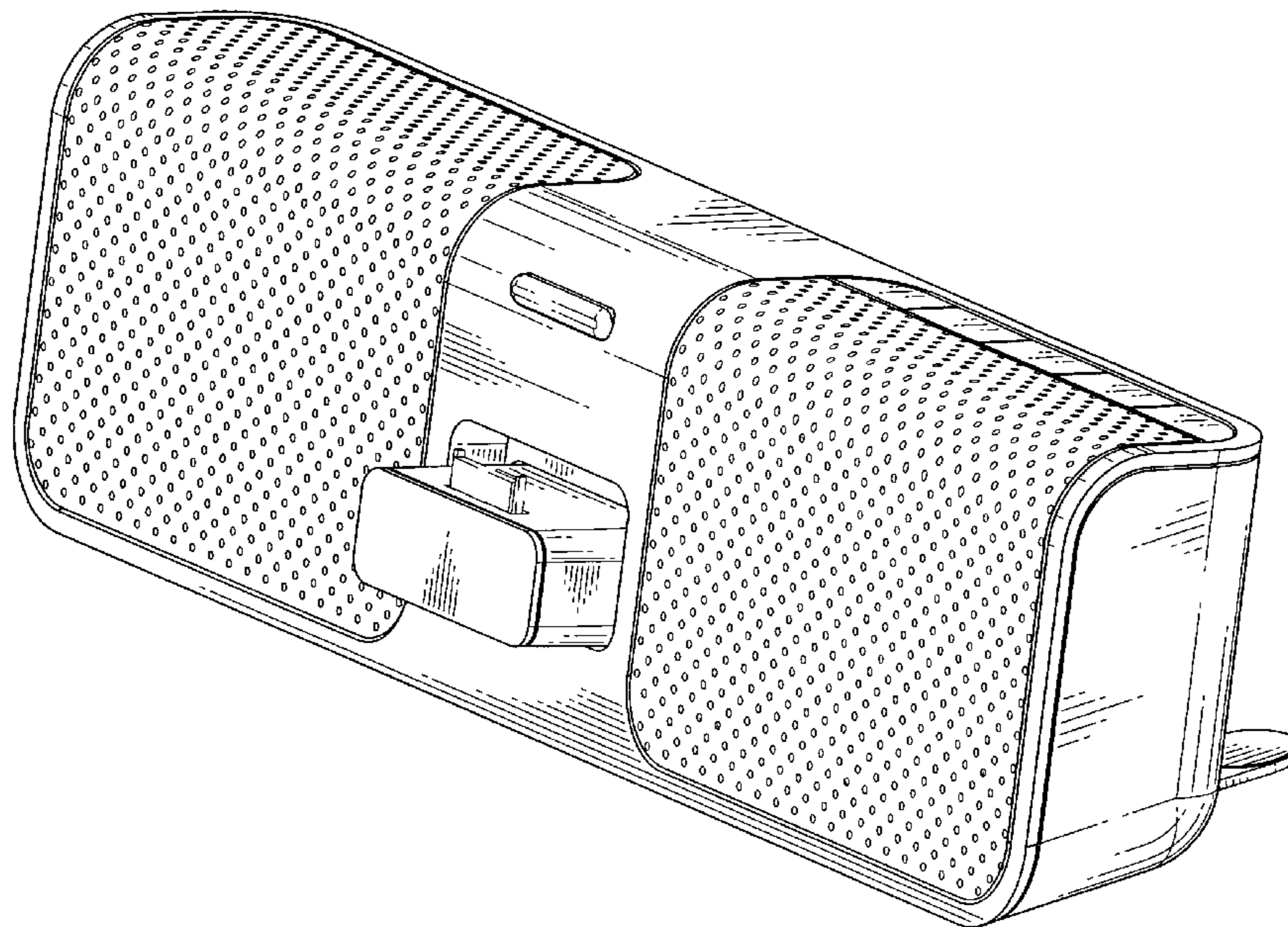
FIG. 13 is a bottom view thereof;

FIG. 14 is a side view thereof, the opposite side view being a mirror image; and,

FIG. 15 is a cross-sectional view thereof along the line 15—15 in FIG. 10.

The broken lines in the drawings illustrate environmental material that forms no part of the claimed design.

1 Claim, 15 Drawing Sheets



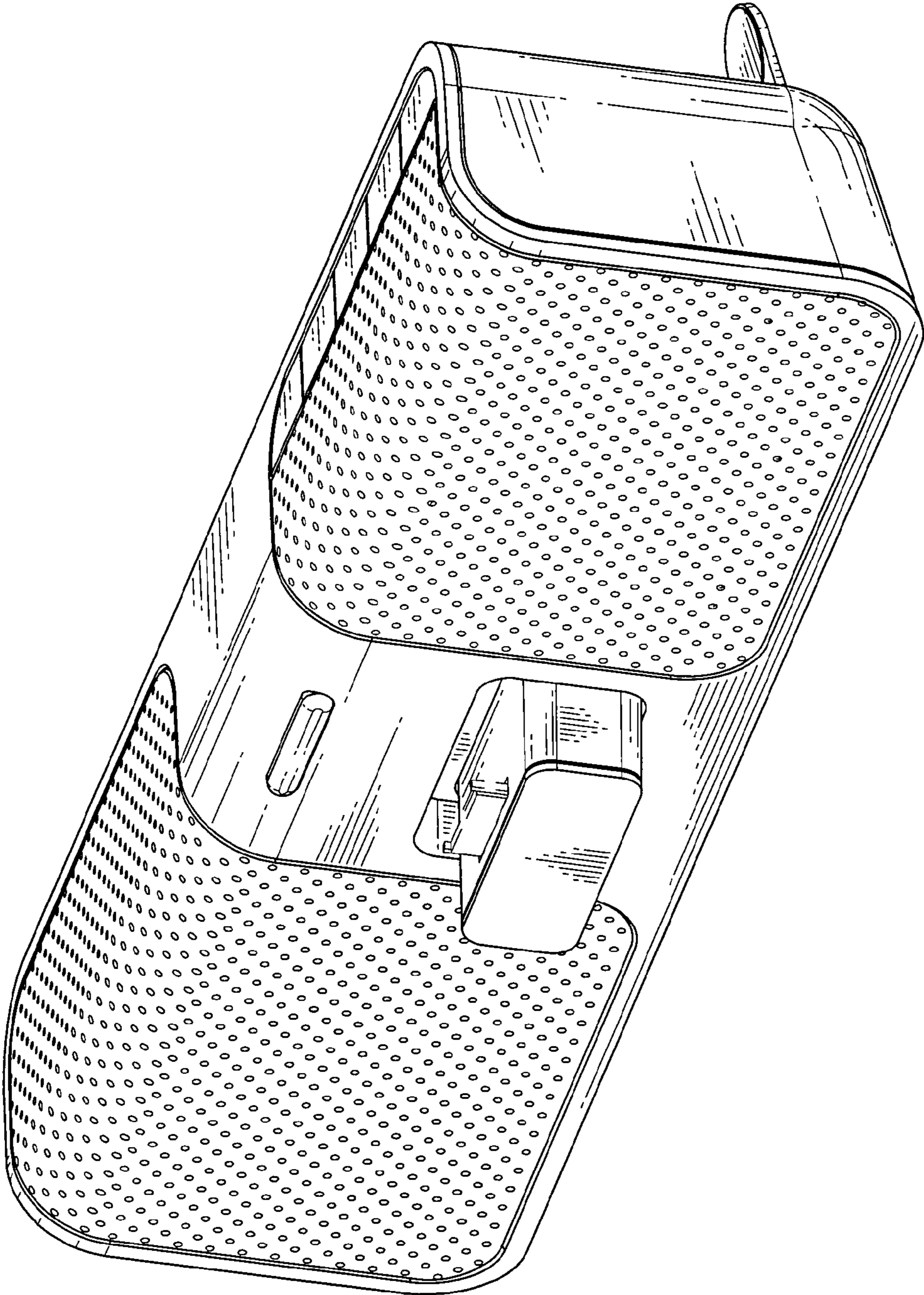


FIG. 1

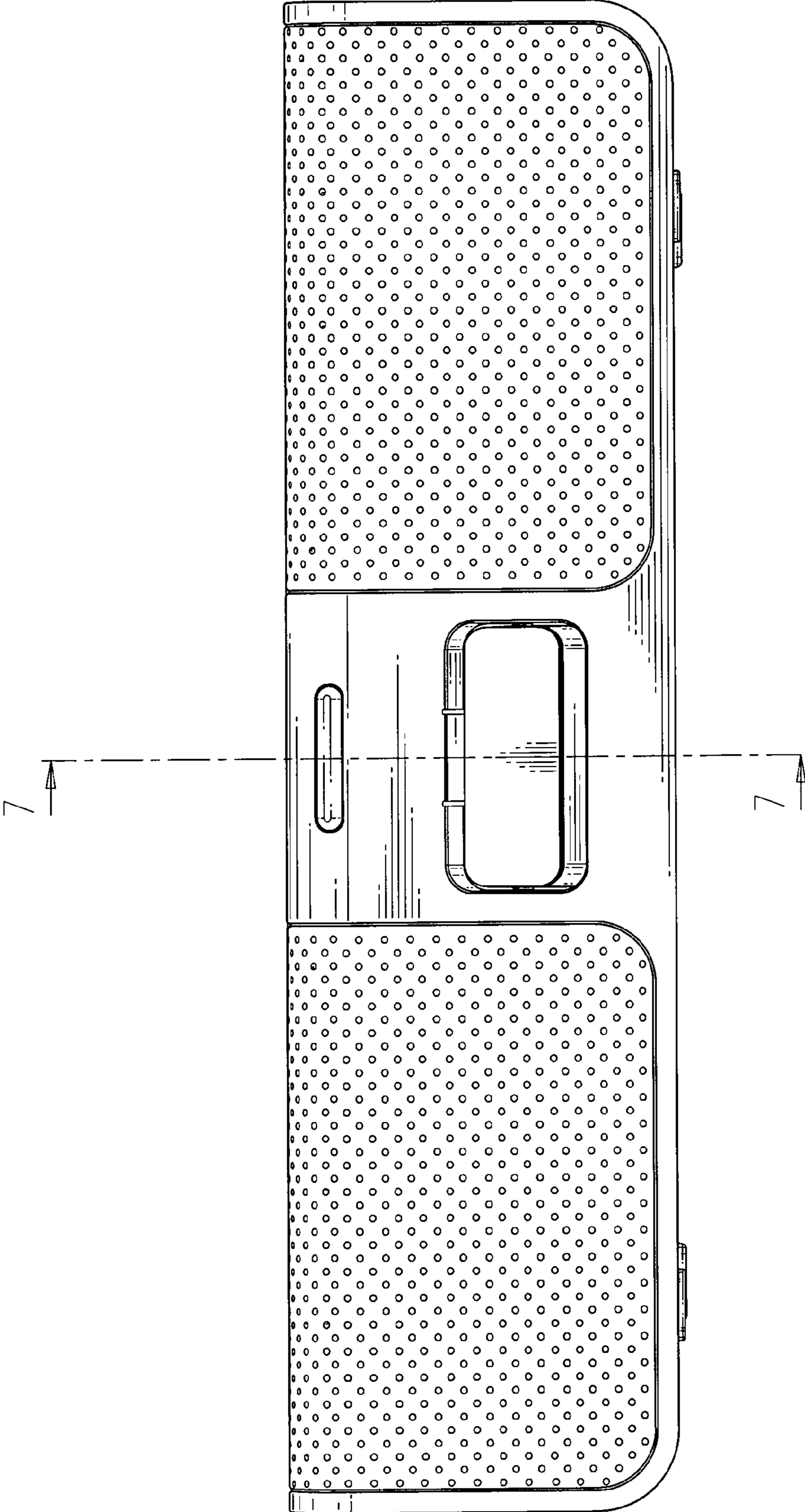


FIG. 2

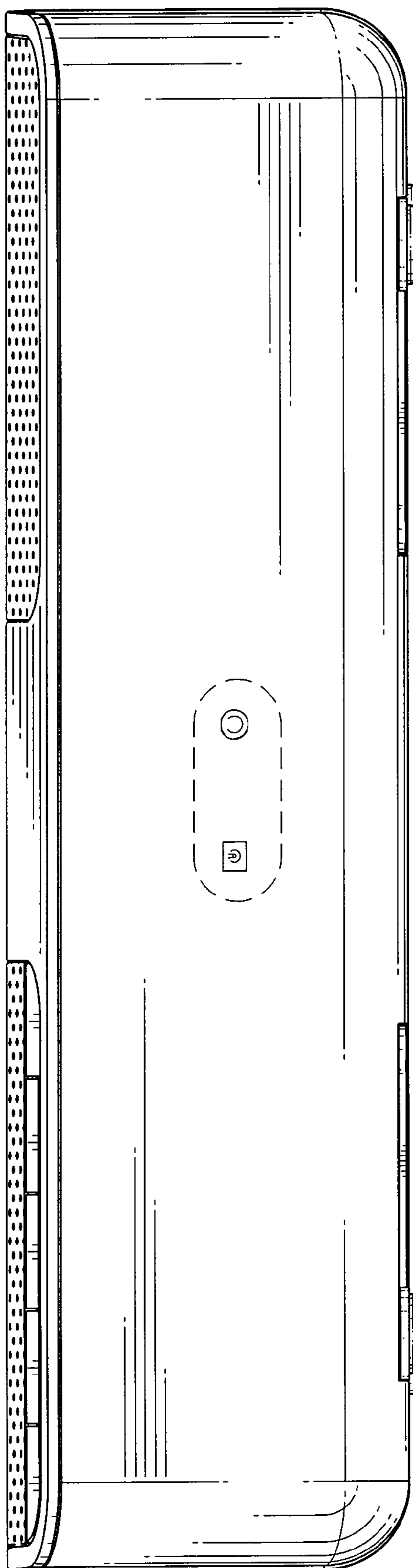


FIG. 3

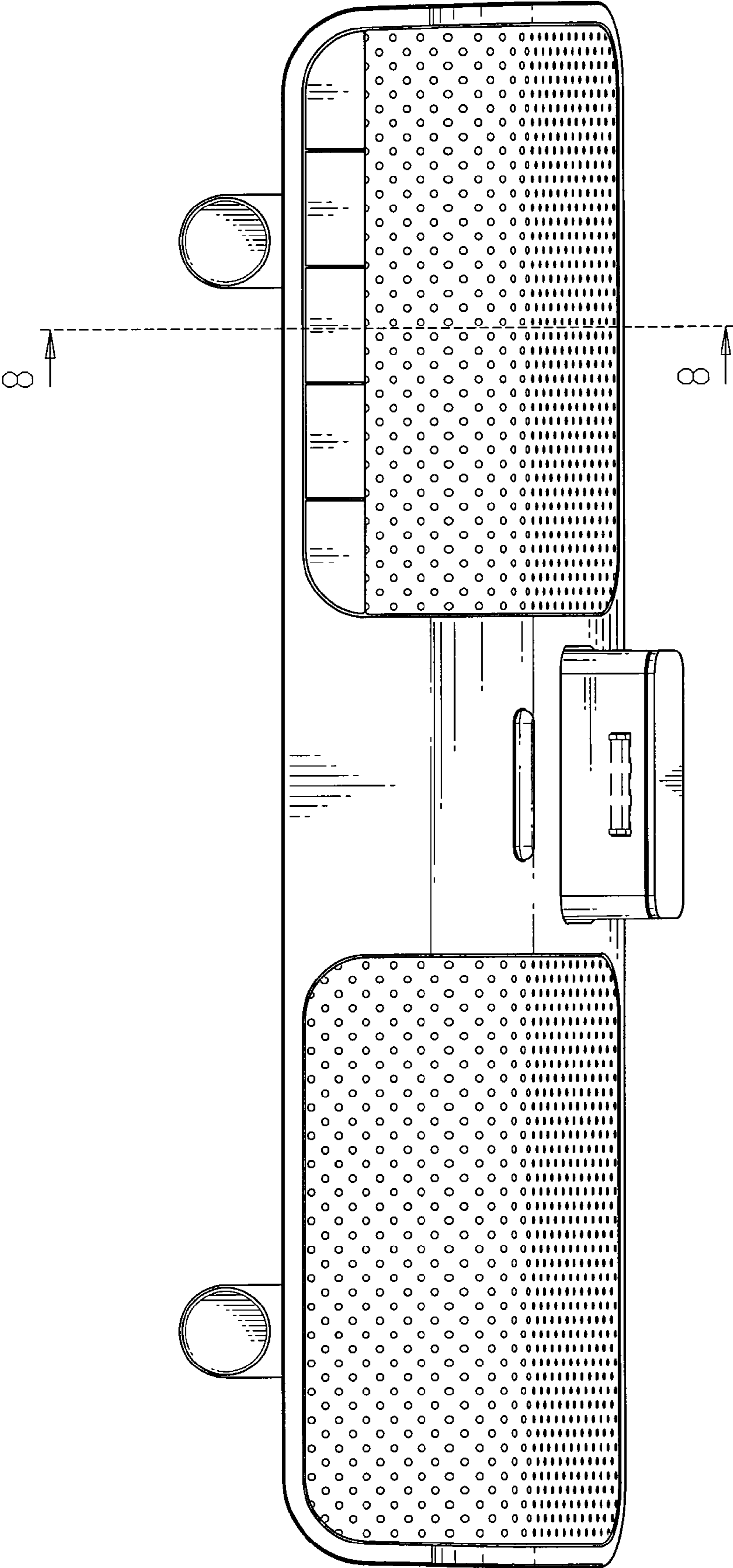


FIG. 4

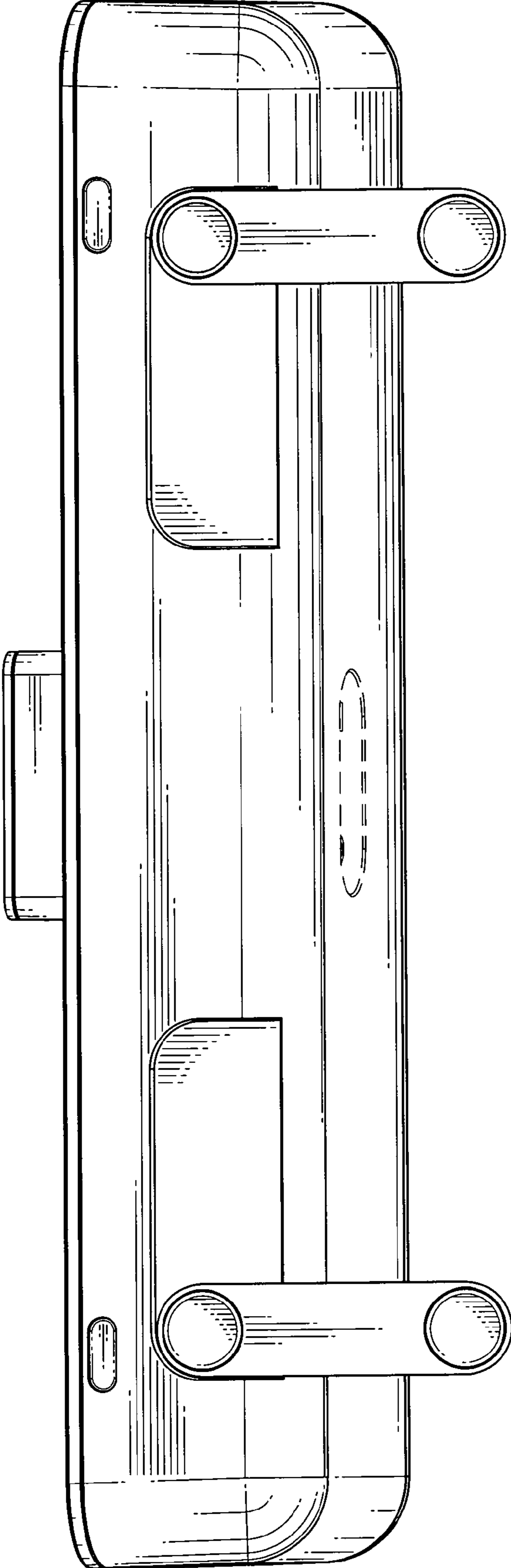


FIG. 5

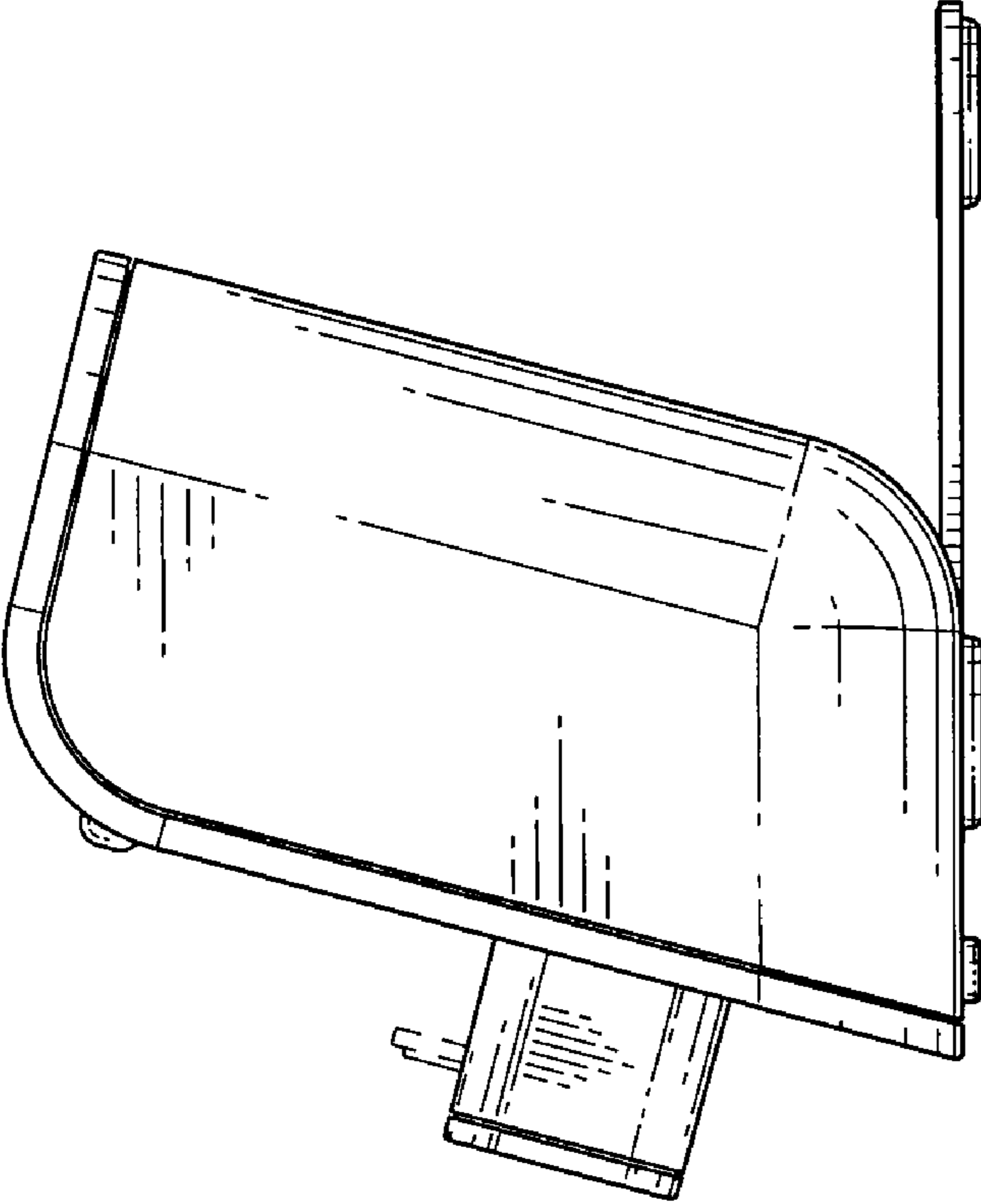


FIG. 6

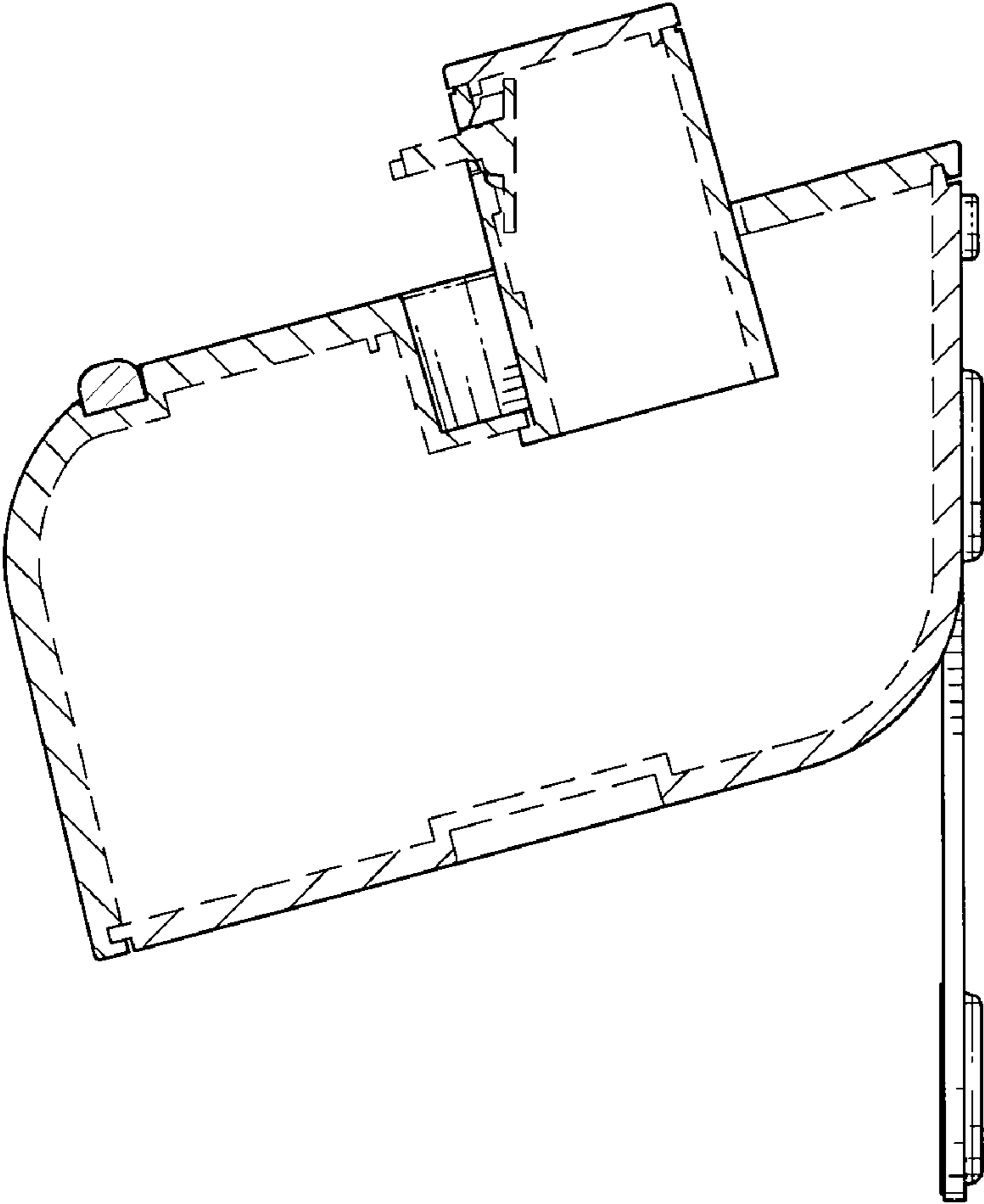


FIG. 7

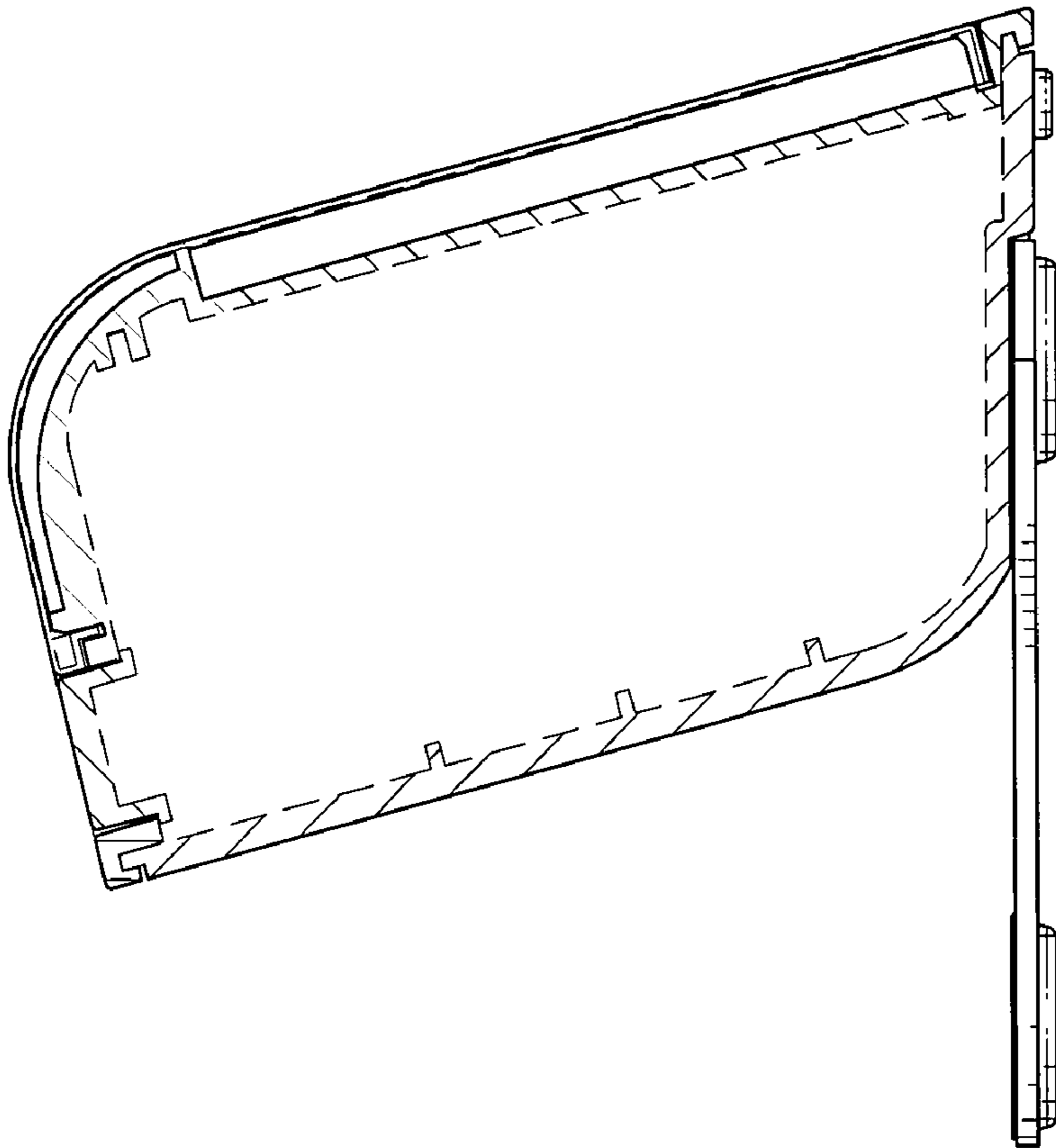


FIG. 8

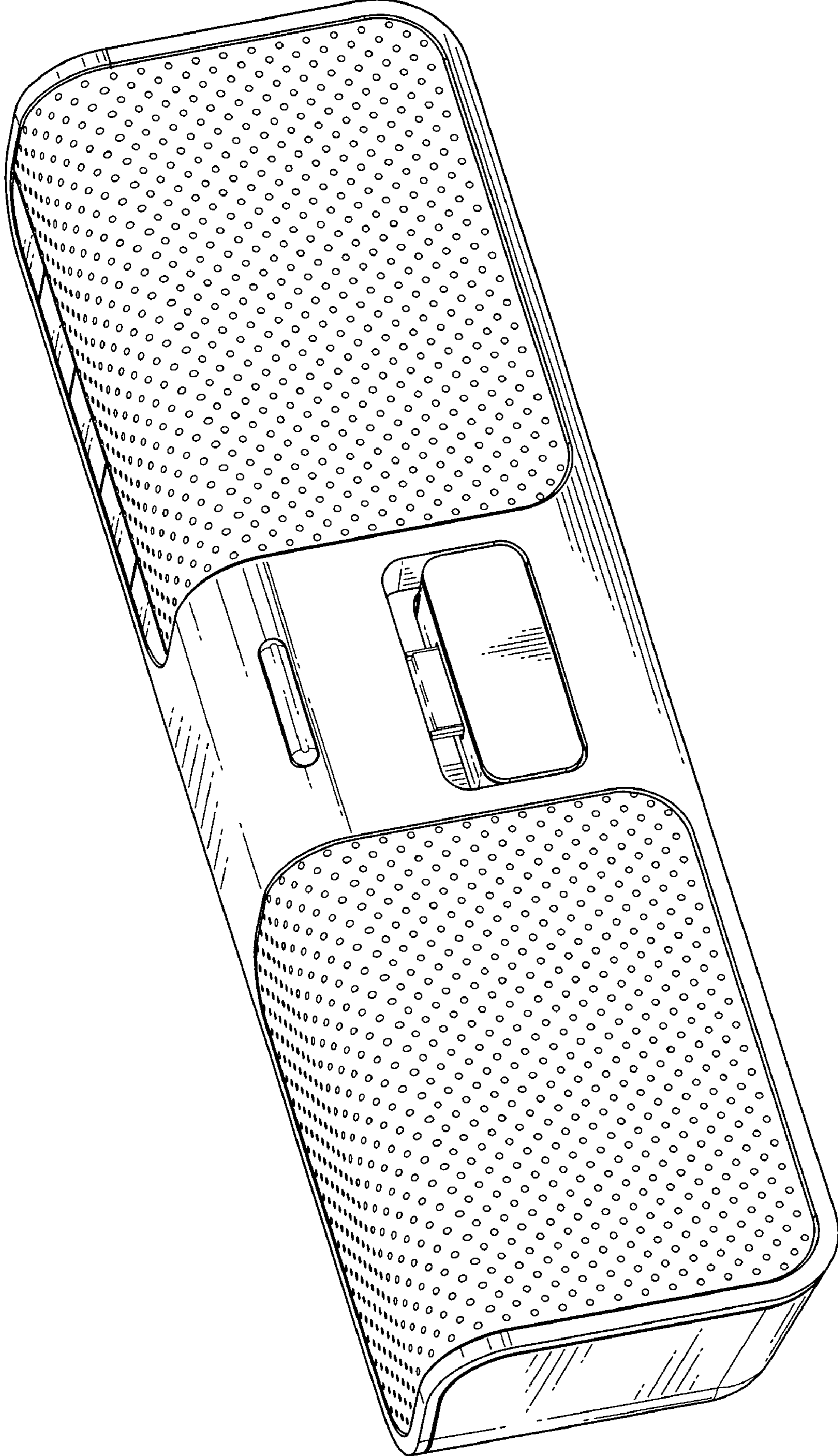


FIG. 9

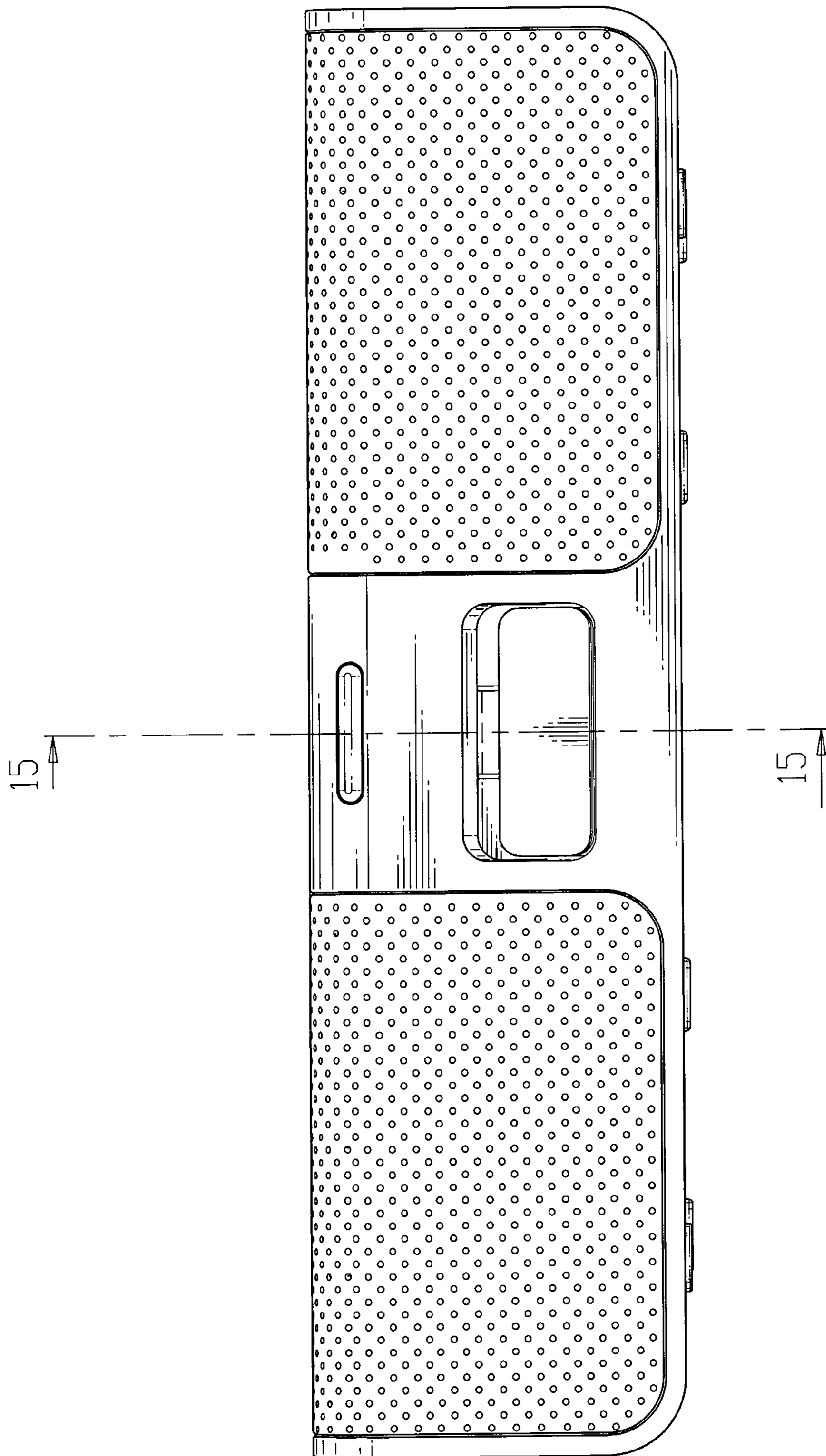


FIG. 10

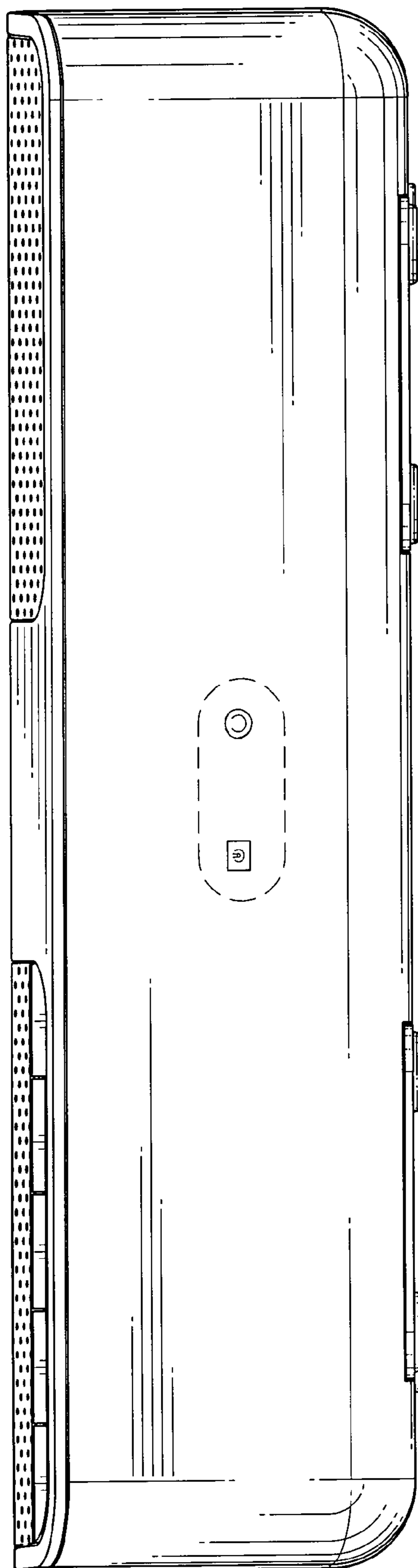


FIG. 11

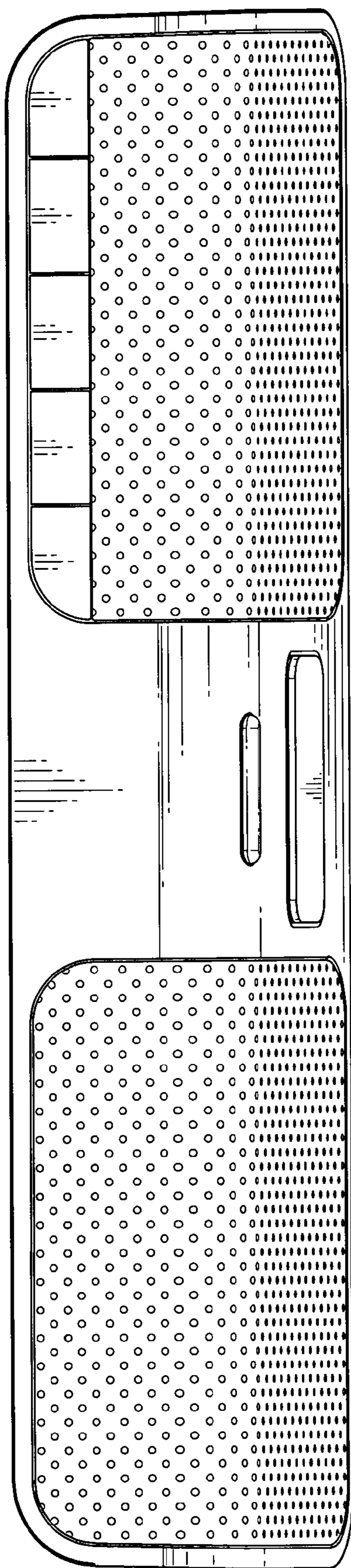


FIG. 12

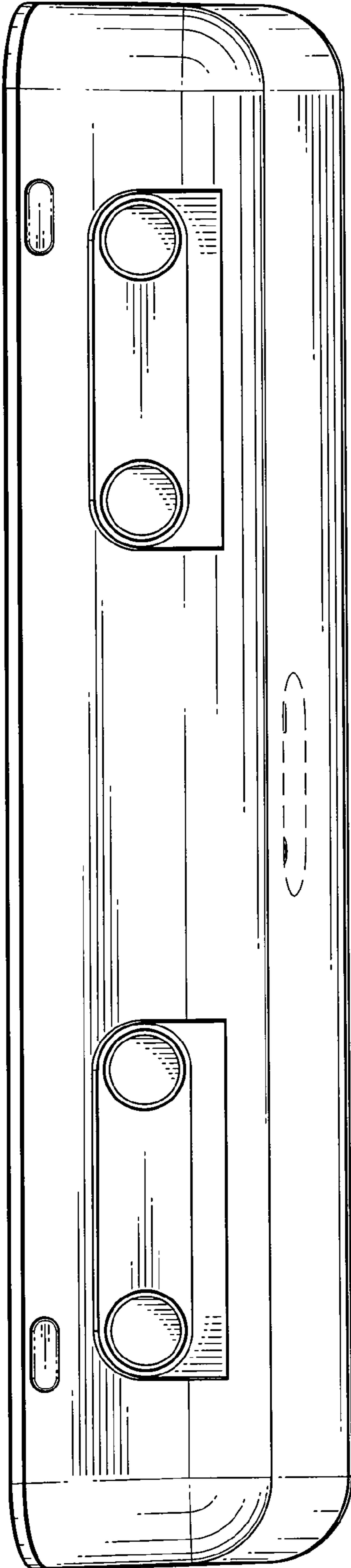


FIG. 13

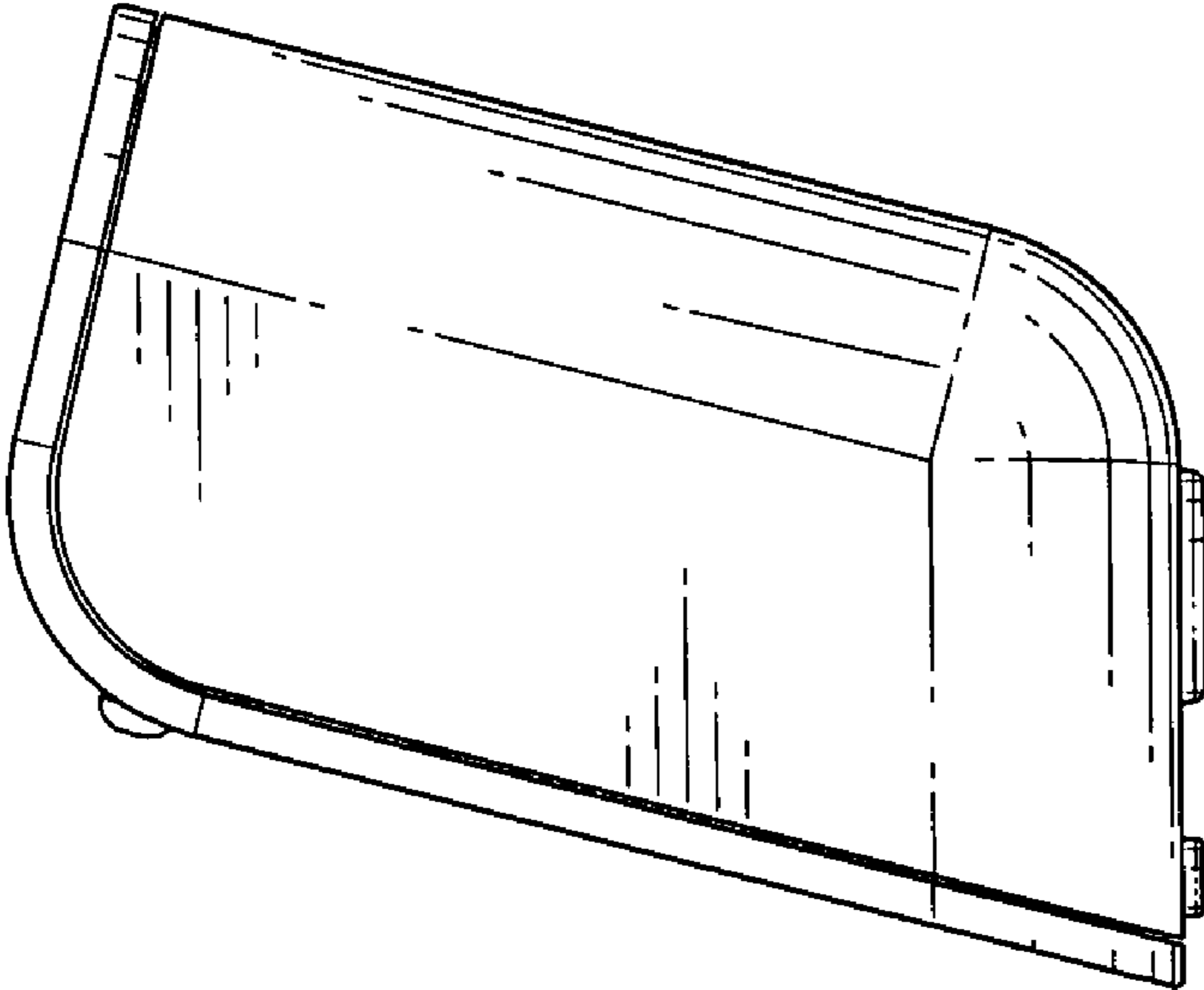


FIG. 14

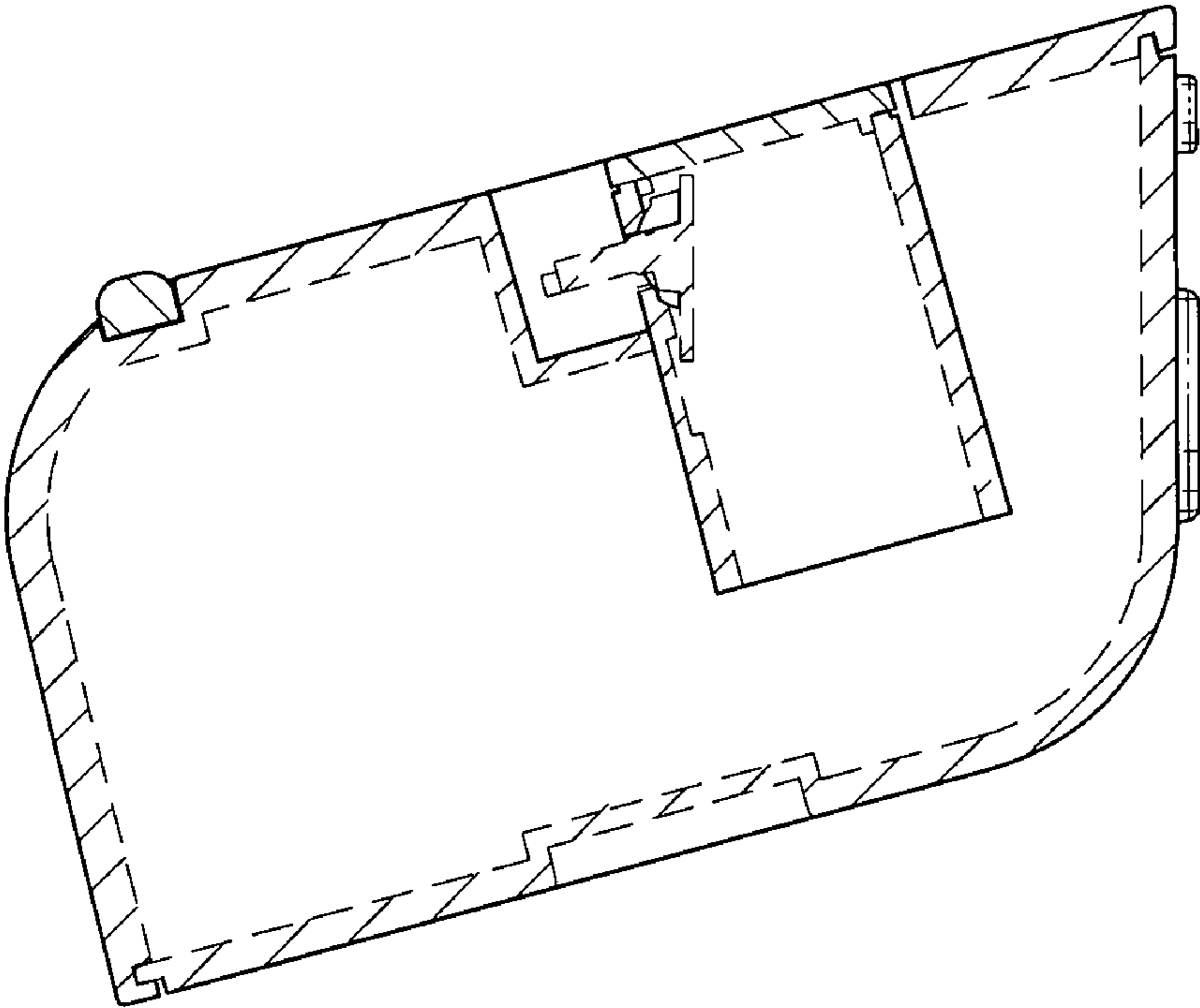


FIG. 15