



US00D620920S

(12) **United States Design Patent**
Joseph

(10) **Patent No.:** **US D620,920 S**

(45) **Date of Patent:** **** Aug. 3, 2010**

(54) **PORTABLE SPEAKER SYSTEM WITH MEDIA PLAYER DOCK**

(75) Inventor: **Brian Joseph**, Brooklyn, NY (US)

(73) Assignee: **SDI Technologies, Inc.**, Rahway, NJ (US)

(**) Term: **14 Years**

(21) Appl. No.: **29/346,388**

(22) Filed: **Oct. 30, 2009**

(51) **LOC (9) Cl.** **14-01**

(52) **U.S. Cl.** **D14/209.1; D14/204**

(58) **Field of Classification Search** D14/204, D14/207, 209.1, 210–216, 168, 170–172, D14/496, 203.8, 224.1, 253, 149; 181/143–144, 181/147–148, 150–153, 157, 198–199; 381/300–303, 381/306, 332–333, 336, 345, 361–364, 386–388; D10/2, 15

See application file for complete search history.

(56) **References Cited**

U.S. PATENT DOCUMENTS

4,508,459	A *	4/1985	Hashimoto et al.	D10/1
D458,850	S *	6/2002	Fong	D10/15
D553,609	S *	10/2007	Chow	D14/171
D560,657	S *	1/2008	Langberg et al.	D14/214
D572,235	S *	7/2008	Imawaki	D14/207

* cited by examiner

Primary Examiner—Nanda Bondade

(74) *Attorney, Agent, or Firm*—Ostrolenk Faber LLP

(57) **CLAIM**

The ornamental design for a portable speaker system with media player dock, as shown and described.

DESCRIPTION

FIG. 1 is a top, front, right side, perspective view of a portable speaker system with media player dock in a closed condition showing my new design;

FIG. 2 is a bottom, front, left side, perspective view thereof;

FIG. 3 is a front view thereof;

FIG. 4 is a rear view thereof;

FIG. 5 is a top view thereof;

FIG. 6 is a bottom view thereof;

FIG. 7 is a right side view thereof;

FIG. 8 is a left side view thereof;

FIG. 9 is a sectional view thereof along the line 9—9 in FIG. 3;

FIG. 10 is a top, front, right side perspective view thereof in an open condition;

FIG. 11 is a front view thereof;

FIG. 12 is a rear view thereof;

FIG. 13 is a top view thereof;

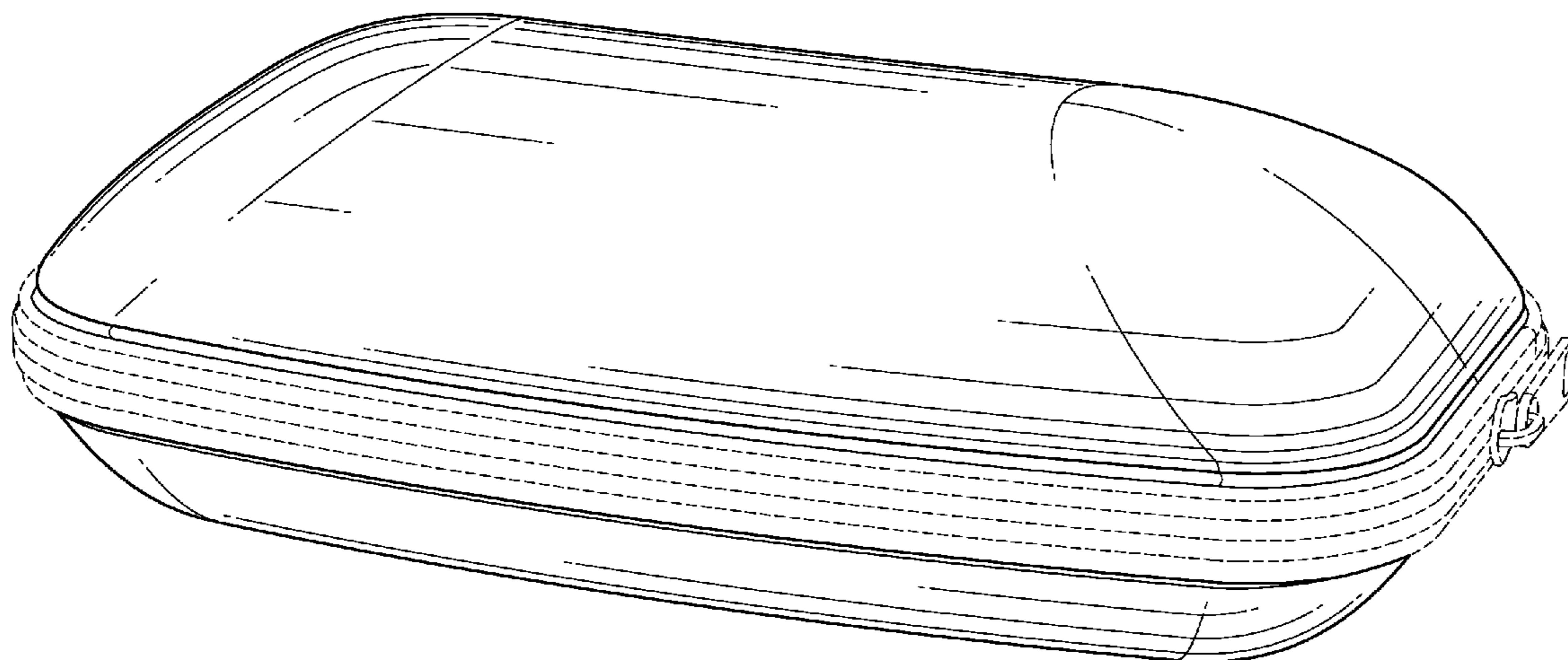
FIG. 14 is a bottom view thereof;

FIG. 15 is a right side view thereof; and,

FIG. 16 is a left side view thereof.

The broken lines in the drawings illustrate environmental material that forms no part of the claimed design.

1 Claim, 16 Drawing Sheets



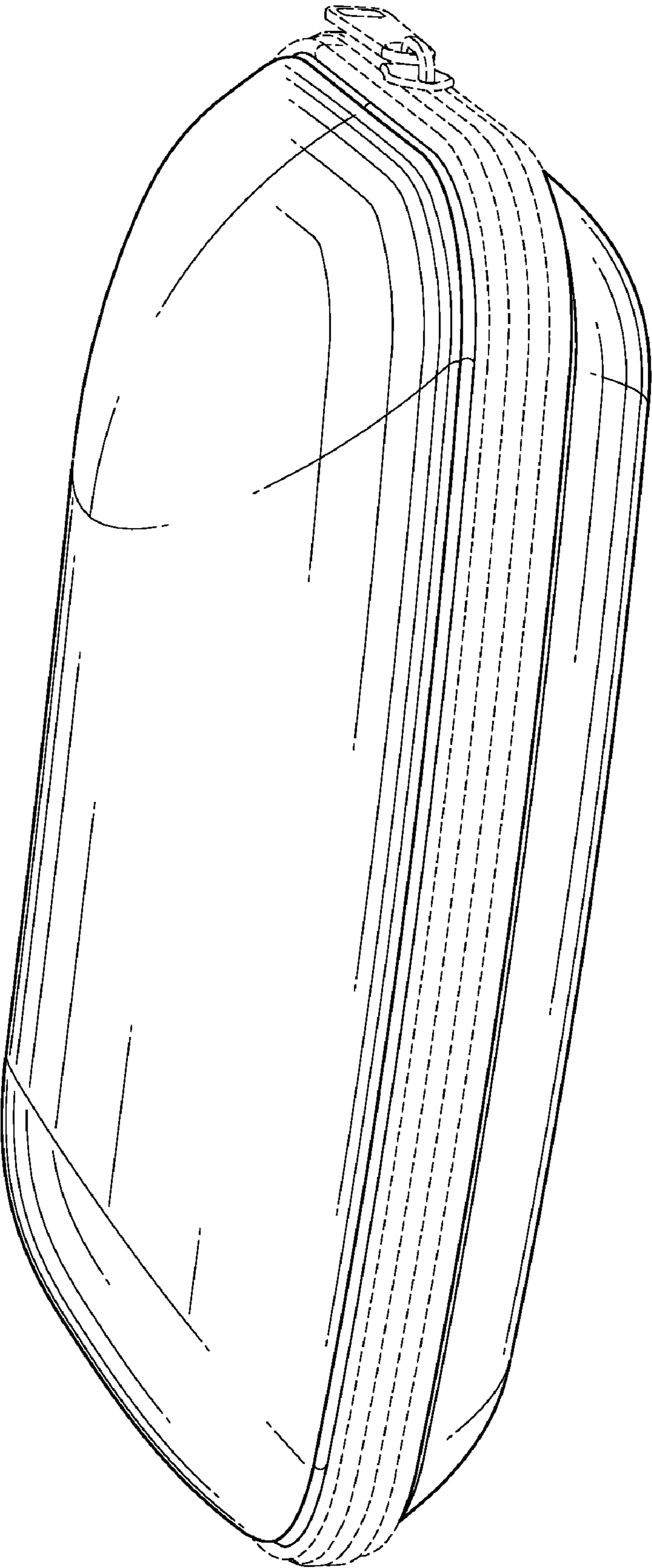


FIG. 1

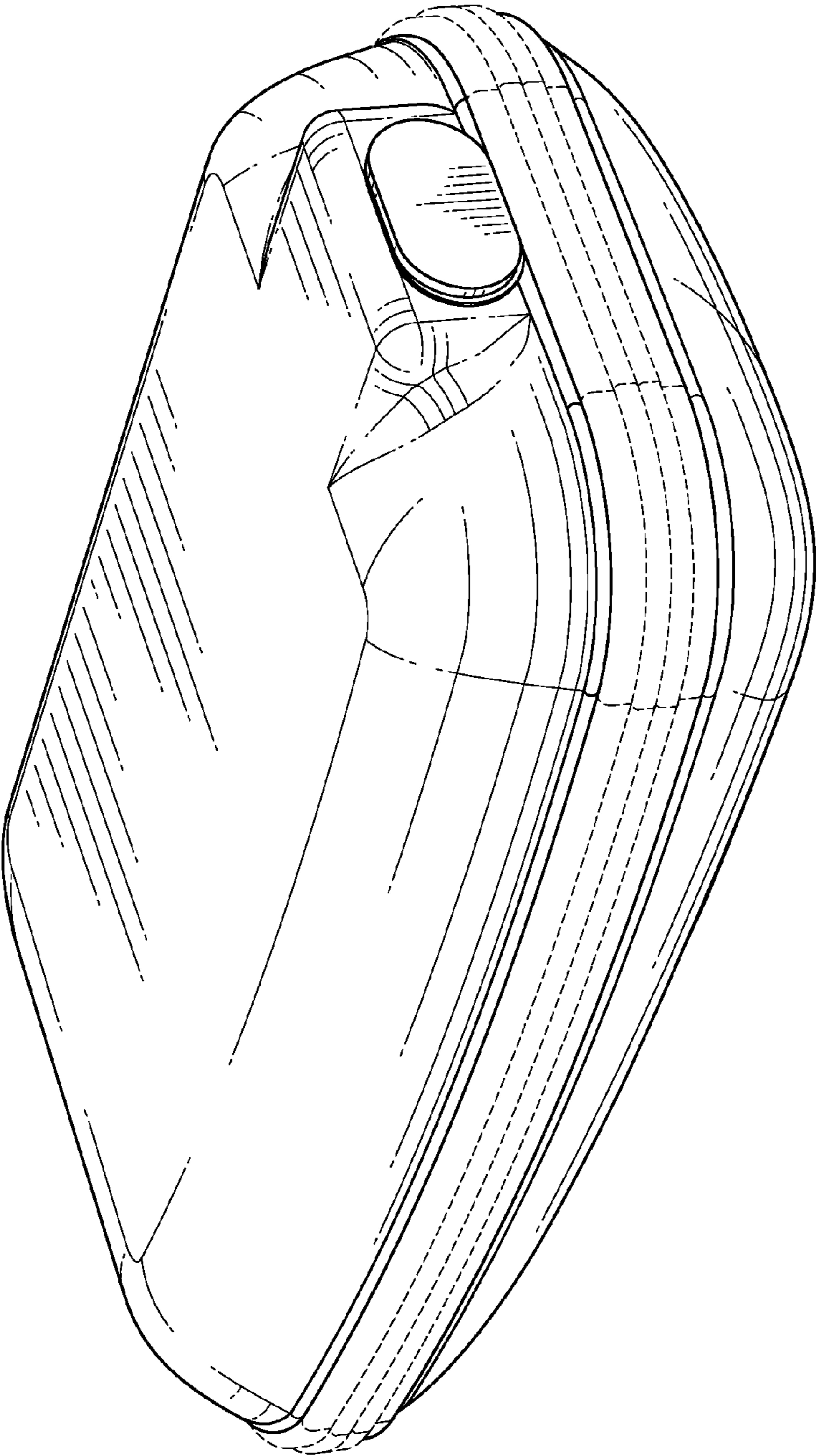


FIG. 2

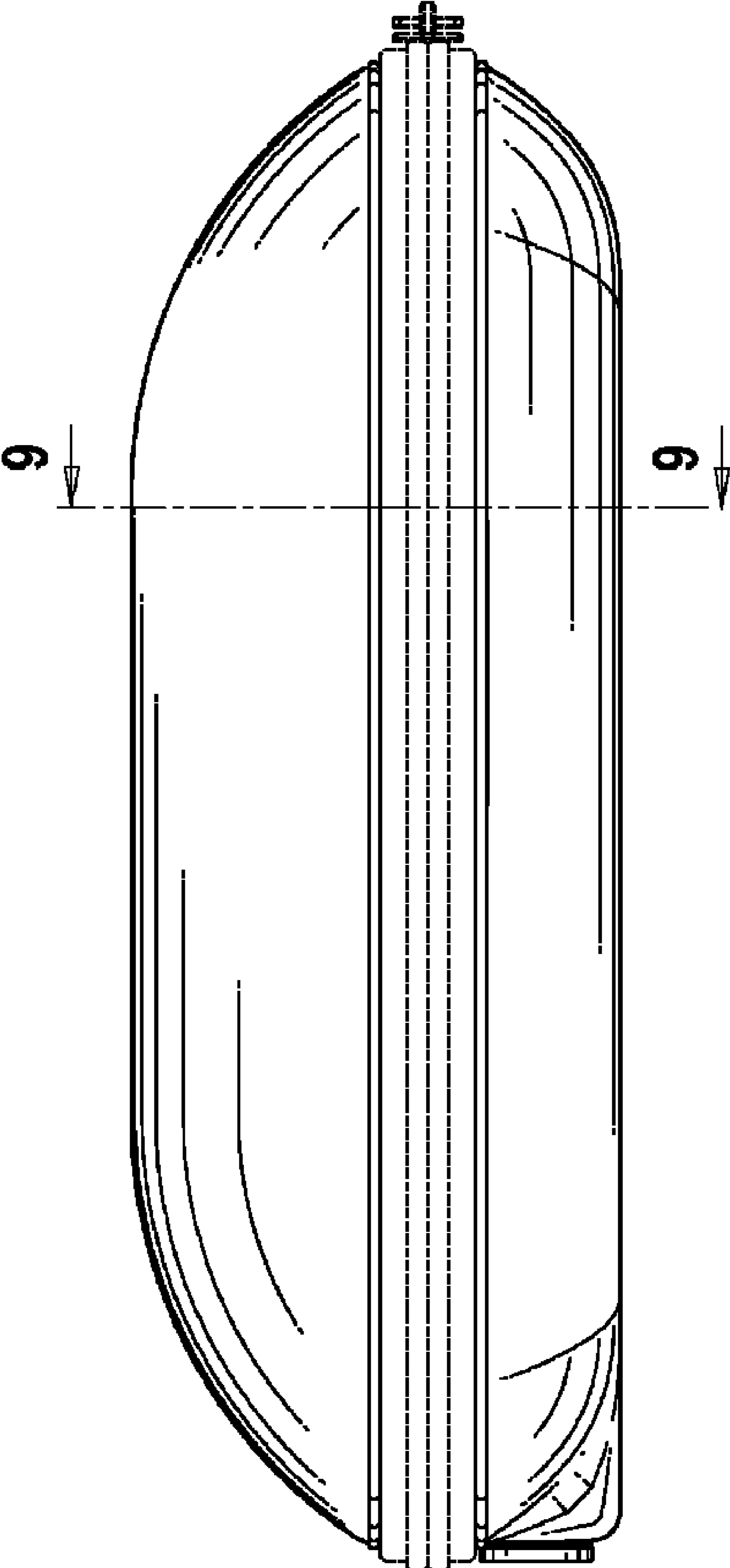


FIG. 3

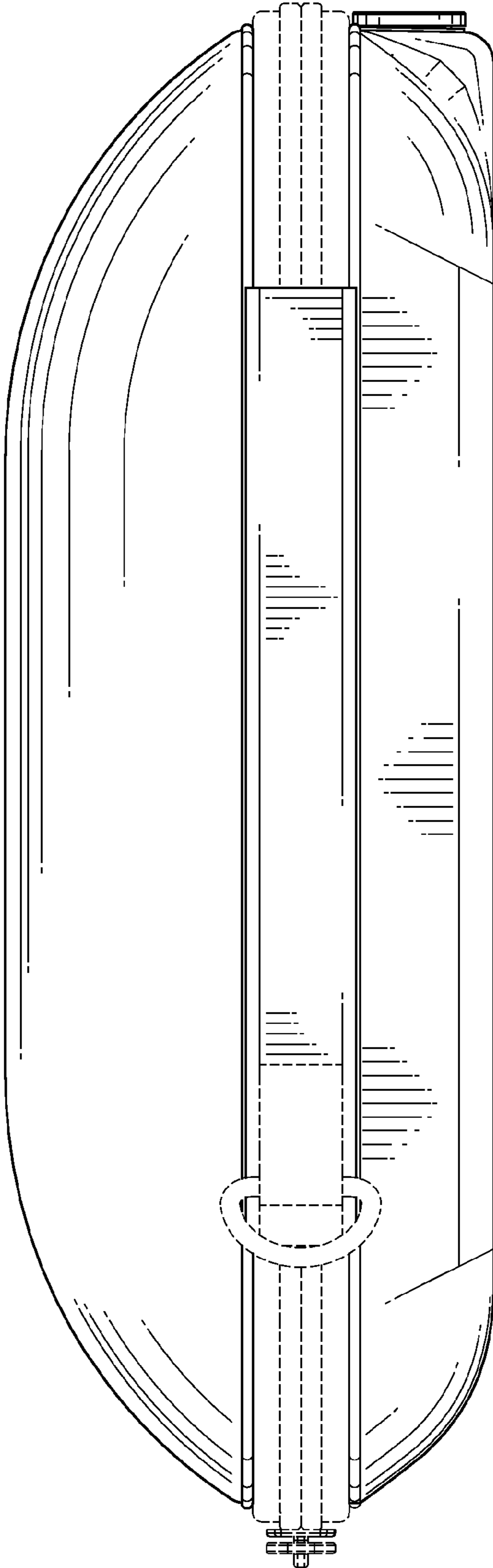


FIG. 4

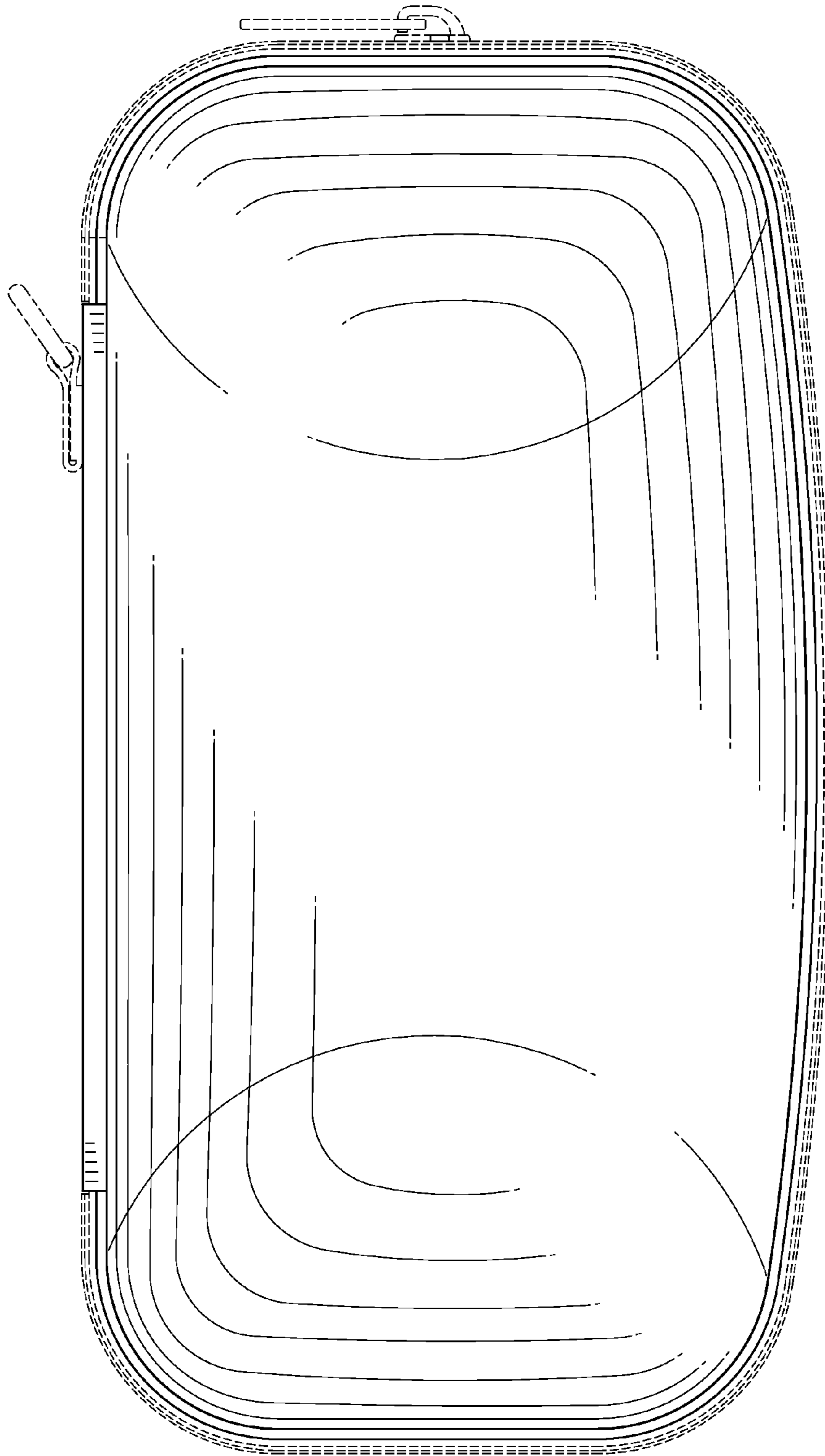


FIG. 5

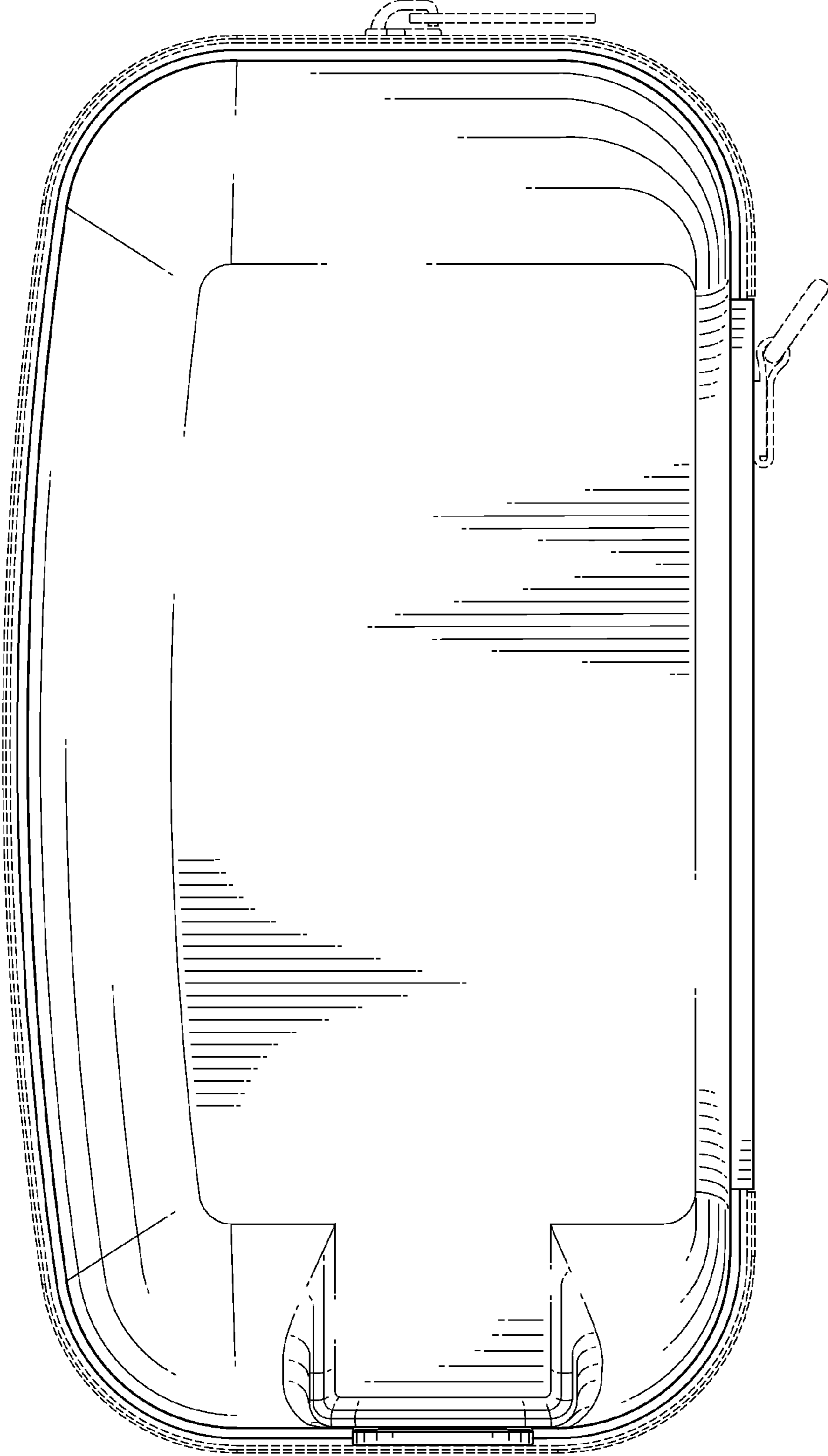


FIG. 6

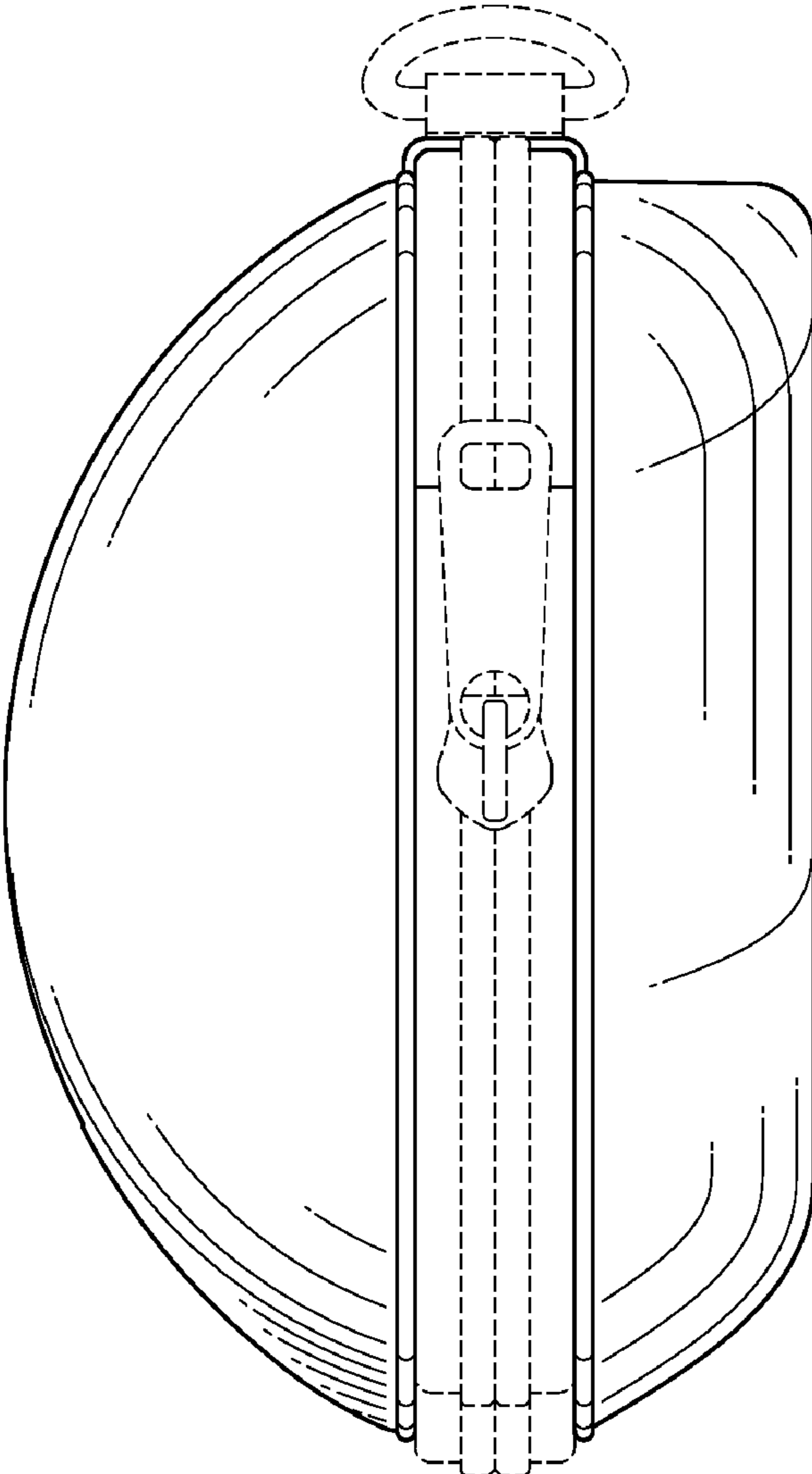


FIG. 7

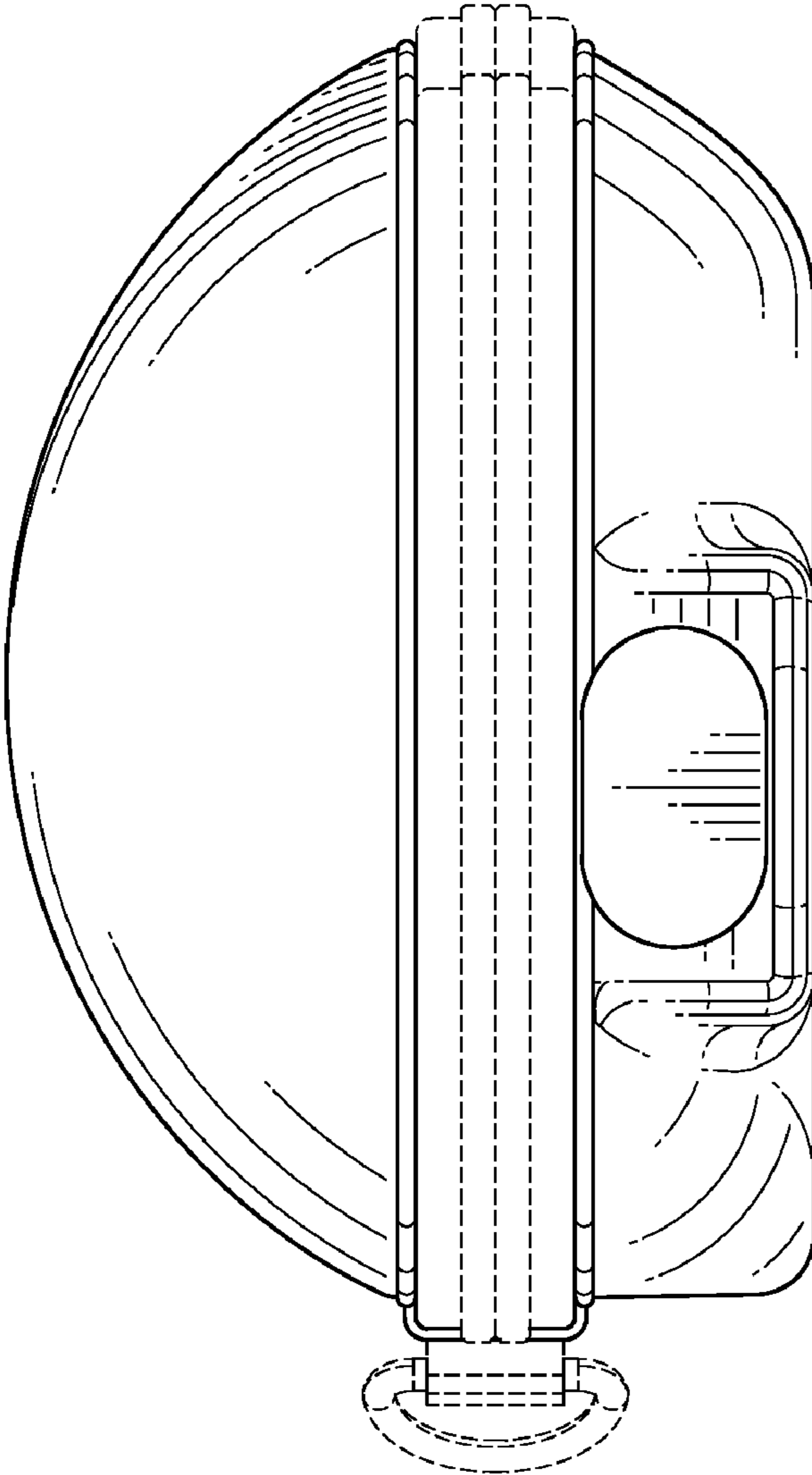


FIG. 8

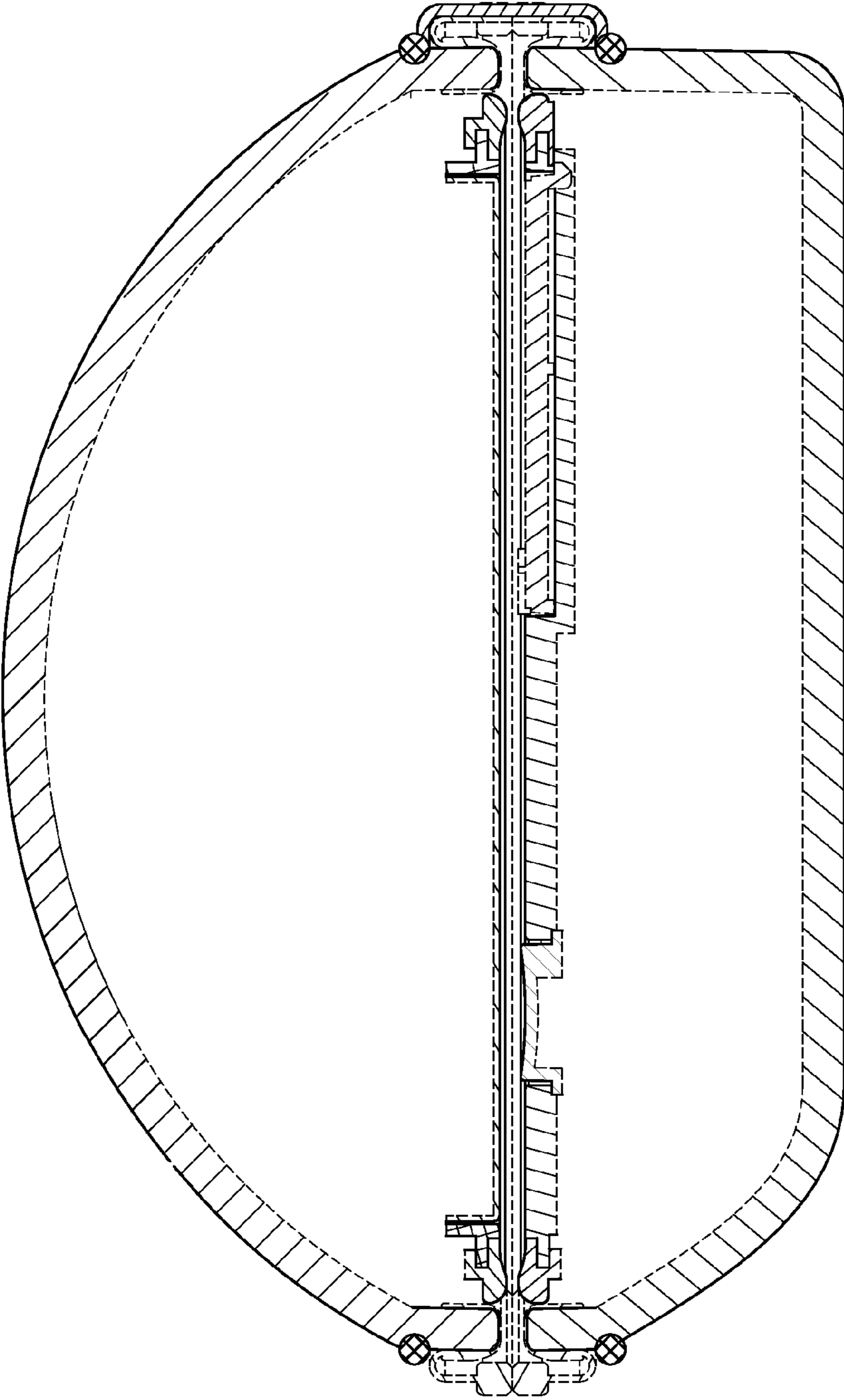


FIG. 9

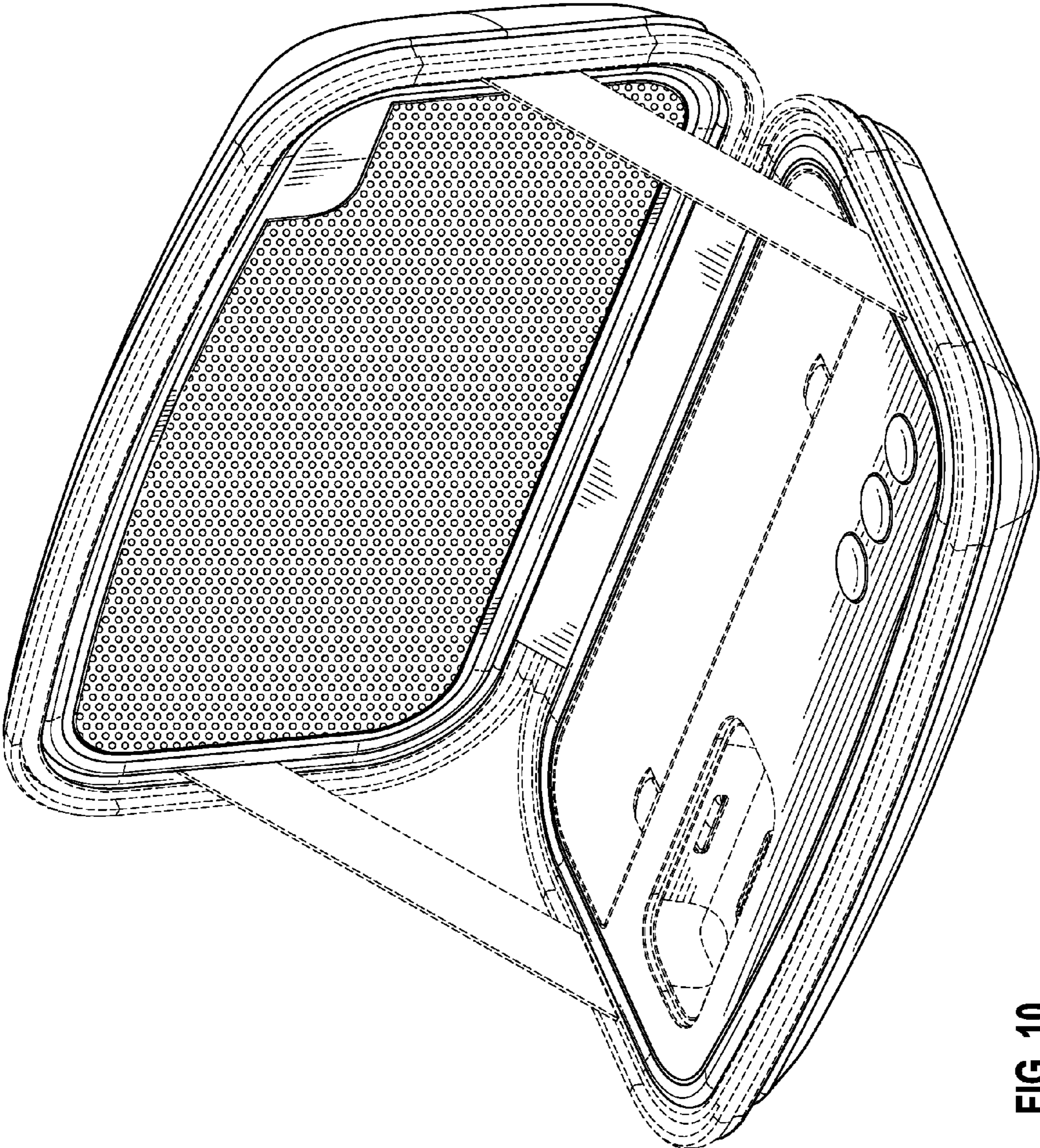


FIG. 10

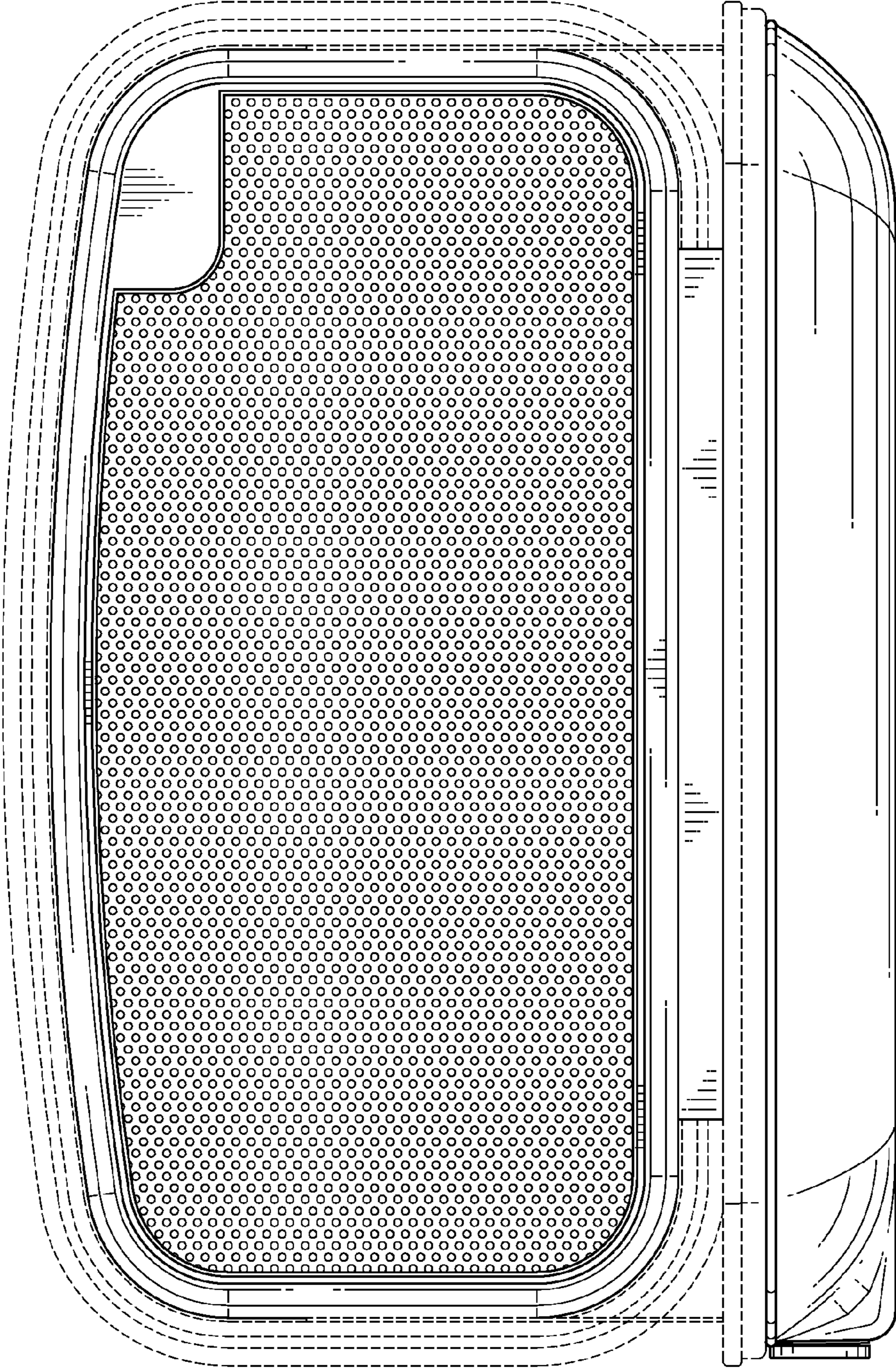


FIG. 11

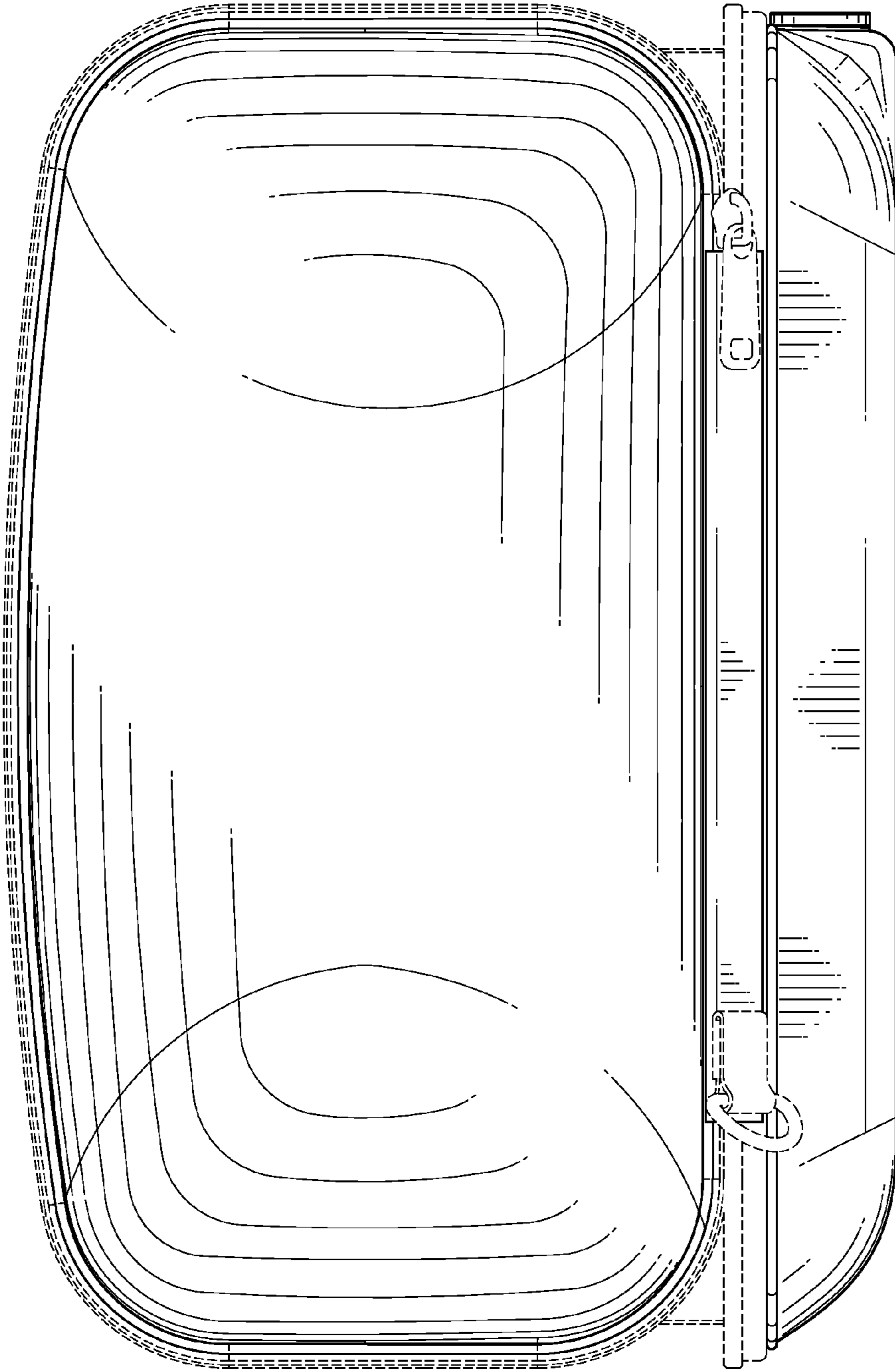


FIG.12

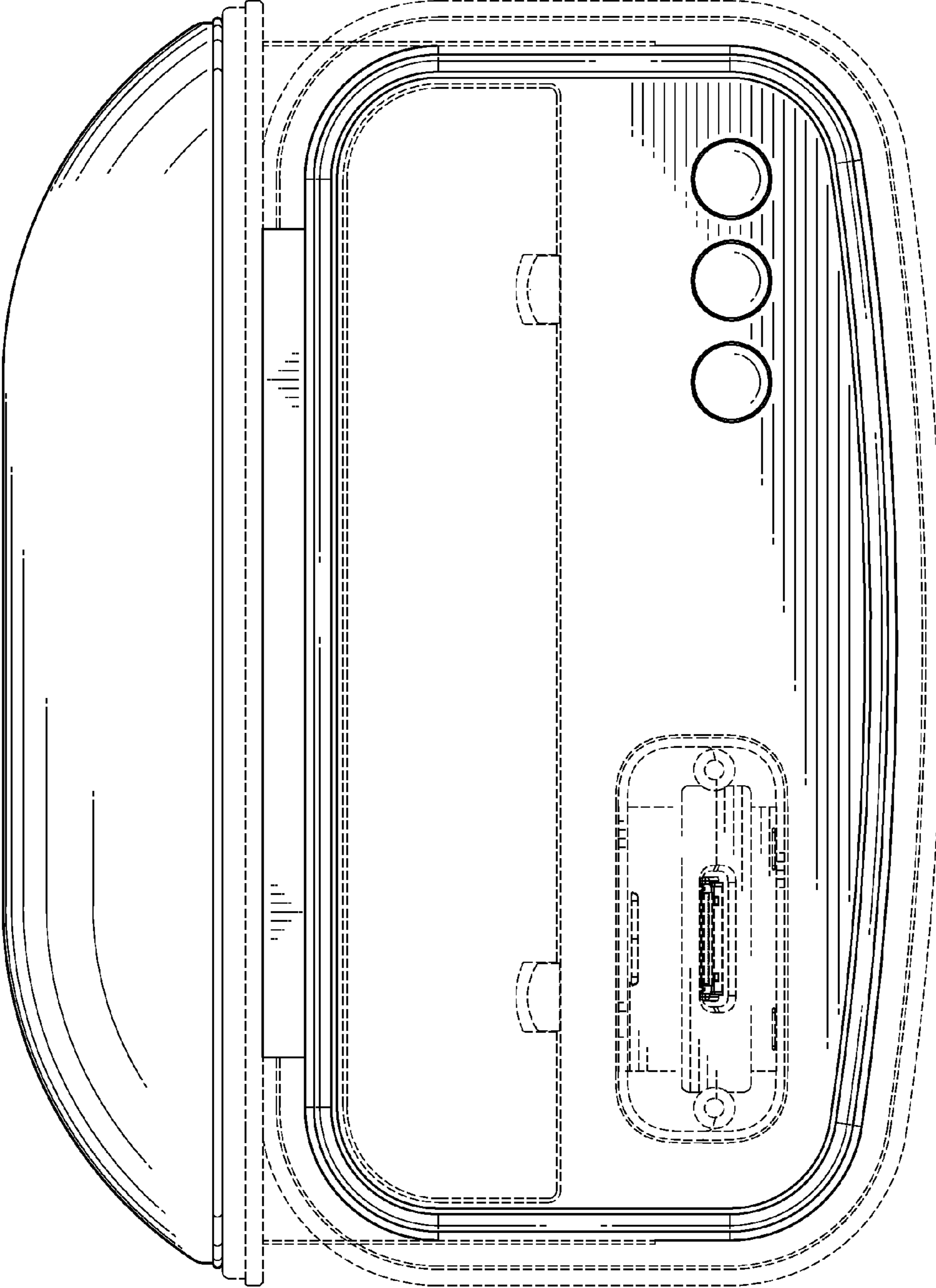


FIG.13

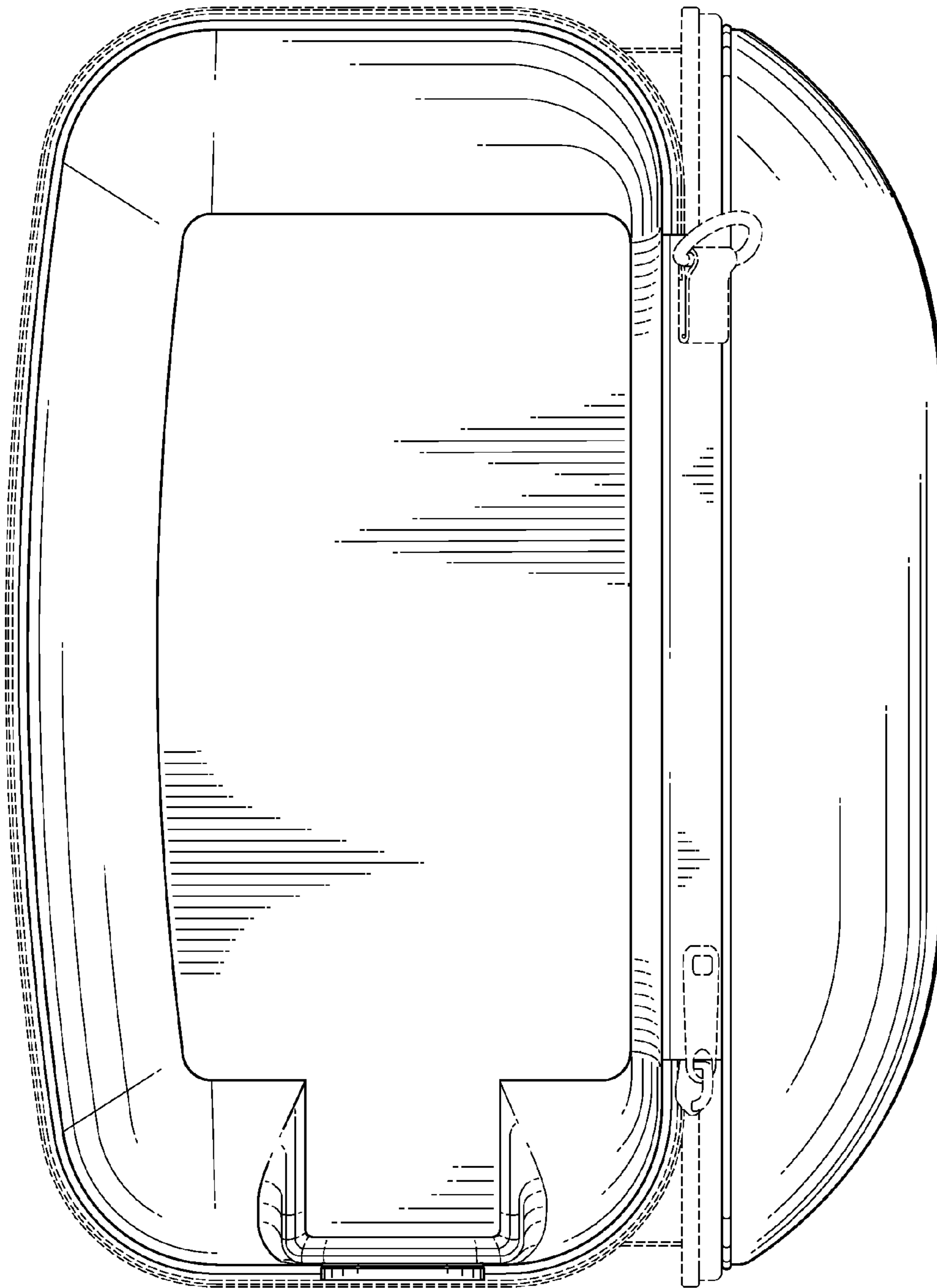


FIG. 14

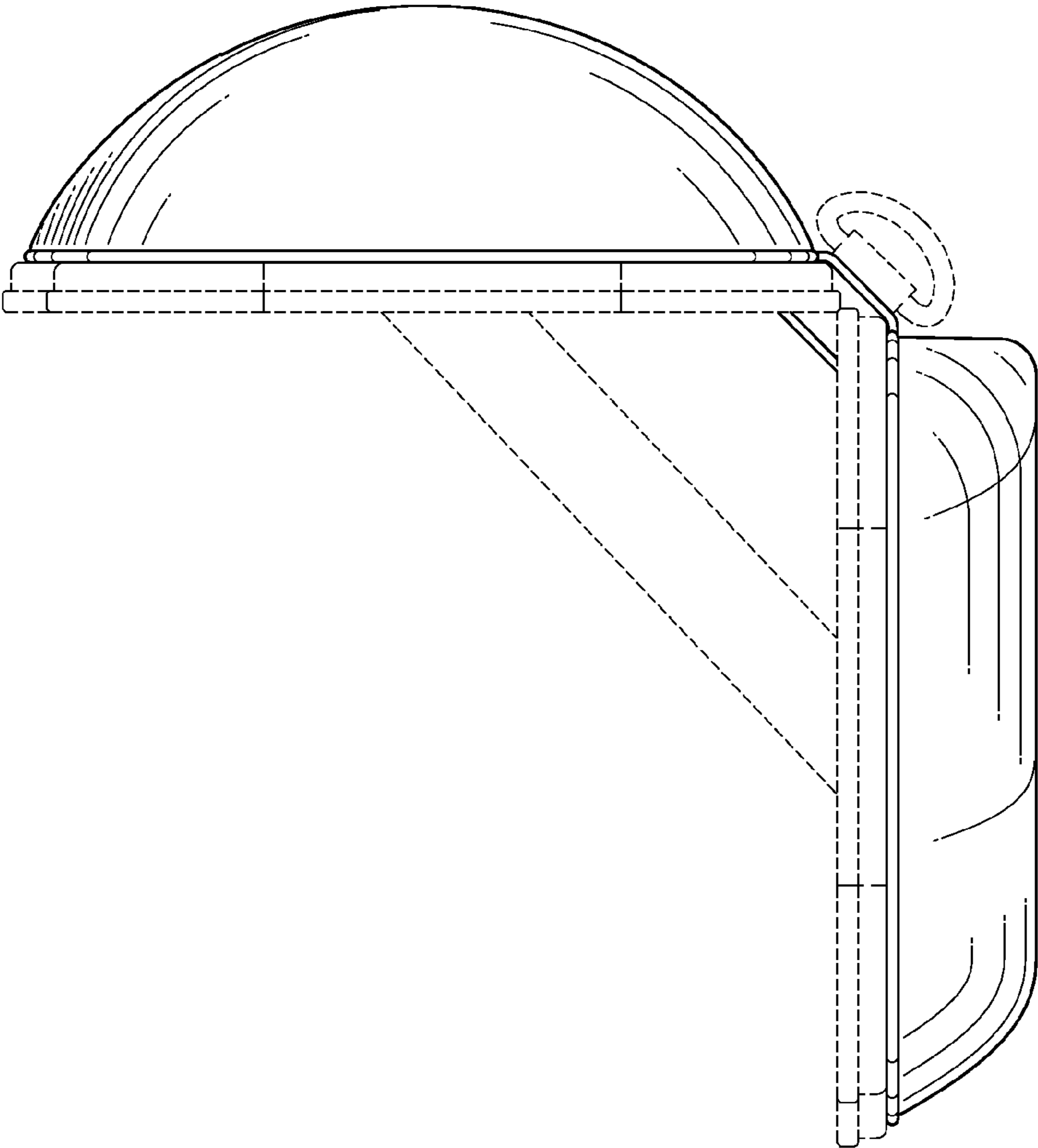


FIG. 15

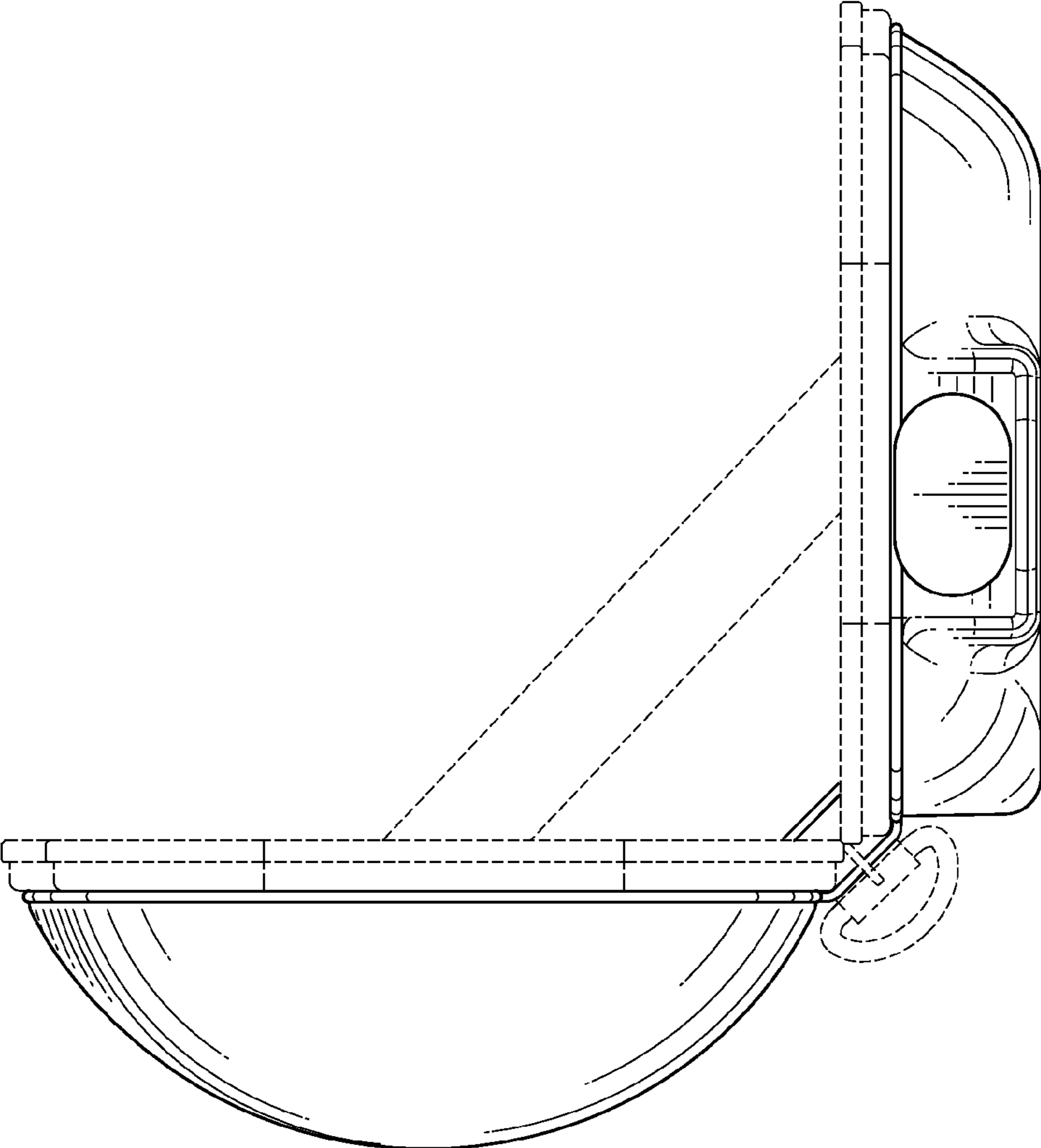


FIG. 16