



US00D620918S

(12) **United States Design Patent**
Tomono

(10) **Patent No.:** **US D620,918 S**
(45) **Date of Patent:** **** Aug. 3, 2010**

(54) **DIGITAL AUDIO DISK PLAYER WITH BUILT-IN DISPLAYING TUNER AND AMPLIFIER**

(75) Inventor: **Mizuki Tomono**, Meguro (JP)
(73) Assignee: **Pioneer Kabushiki Kaisha**, Tokyo (JP)
(**) Term: **14 Years**

(21) Appl. No.: **29/311,329**
(22) Filed: **Feb. 24, 2009**

(30) **Foreign Application Priority Data**

Dec. 4, 2008 (JP) 2008-031058

(51) **LOC (9) Cl.** **14-01**
(52) **U.S. Cl.** **D14/168; D14/132**
(58) **Field of Classification Search** D14/496,
D14/498-505, 511, 129, 132, 157, 167-168,
D14/188, 197-198, 257-258, 203.8; 360/99.02,
360/99.07; 369/75.11, 75.21, 77.11, 77.21;
720/601, 612, 619, 649, 655; 455/344, 347-351;
D10/65

See application file for complete search history.

(56) **References Cited**

U.S. PATENT DOCUMENTS

D538,769 S * 3/2007 Nemoto D14/499
D541,681 S * 5/2007 Sekino et al. D10/65
D550,637 S * 9/2007 Iwamoto et al. D14/132
D559,228 S * 1/2008 Iwamoto D14/157
D564,473 S * 3/2008 Nemoto D14/129
D564,474 S * 3/2008 Miyawaki D14/129
D565,559 S * 4/2008 Aihara D14/258
D572,218 S * 7/2008 Iwamoto D14/132
D577,697 S * 9/2008 Miyawaki D14/132
D578,974 S * 10/2008 Miyawaki D14/132
D582,807 S * 12/2008 Ichikawa et al. D10/65

FOREIGN PATENT DOCUMENTS

JP S-1283936 10/2006
JP S-1289995 12/2006
JP S-1333689 8/2008

JP S-1348398 1/2009

OTHER PUBLICATIONS

Pioneer, In-Car Multimedia/Navigation 2005, The Right Track, Catalog, 2005, pp. 6, 8 and 9, Pioneer Europe NV, Melsele.
Pioneer, In-Car Multimedia/Navigation 2001, DVD Cyber Navi, Catalog, 2001, pp. 9, 11 and 13, Pioneer Europe NV, Melsele.
Pioneer, 2006 Mobile Entertainment & Navigation Systems, Catalog, 2006, pp. 5, 7, 9 and 10, Pioneer Corporation and Pioneer Electronics, Long Beach, CA.
Pioneer, Carrozzeria, IIDD Cyber Navi, Catalog, 2003, vol. 5, p. 14, Pioneer Corporation.
Pioneer, Carrozzeria, Cyber Navi, Catalog, 2006, vol. 4, p. 6, Pioneer Corporation.

* cited by examiner

Primary Examiner—Nanda Bondade

(74) *Attorney, Agent, or Firm*—Oliff & Berridge, PLC

(57) **CLAIM**

The ornamental design for a digital audio disk player with built-in displaying tuner and amplifier, as shown and described.

DESCRIPTION

FIG. 1 is a perspective view of a digital audio disk player with built-in displaying tuner and amplifier;

FIG. 2 is a front view thereof;

FIG. 3 is a rear view thereof;

FIG. 4 is a left-side view thereof;

FIG. 5 is a right-side view thereof;

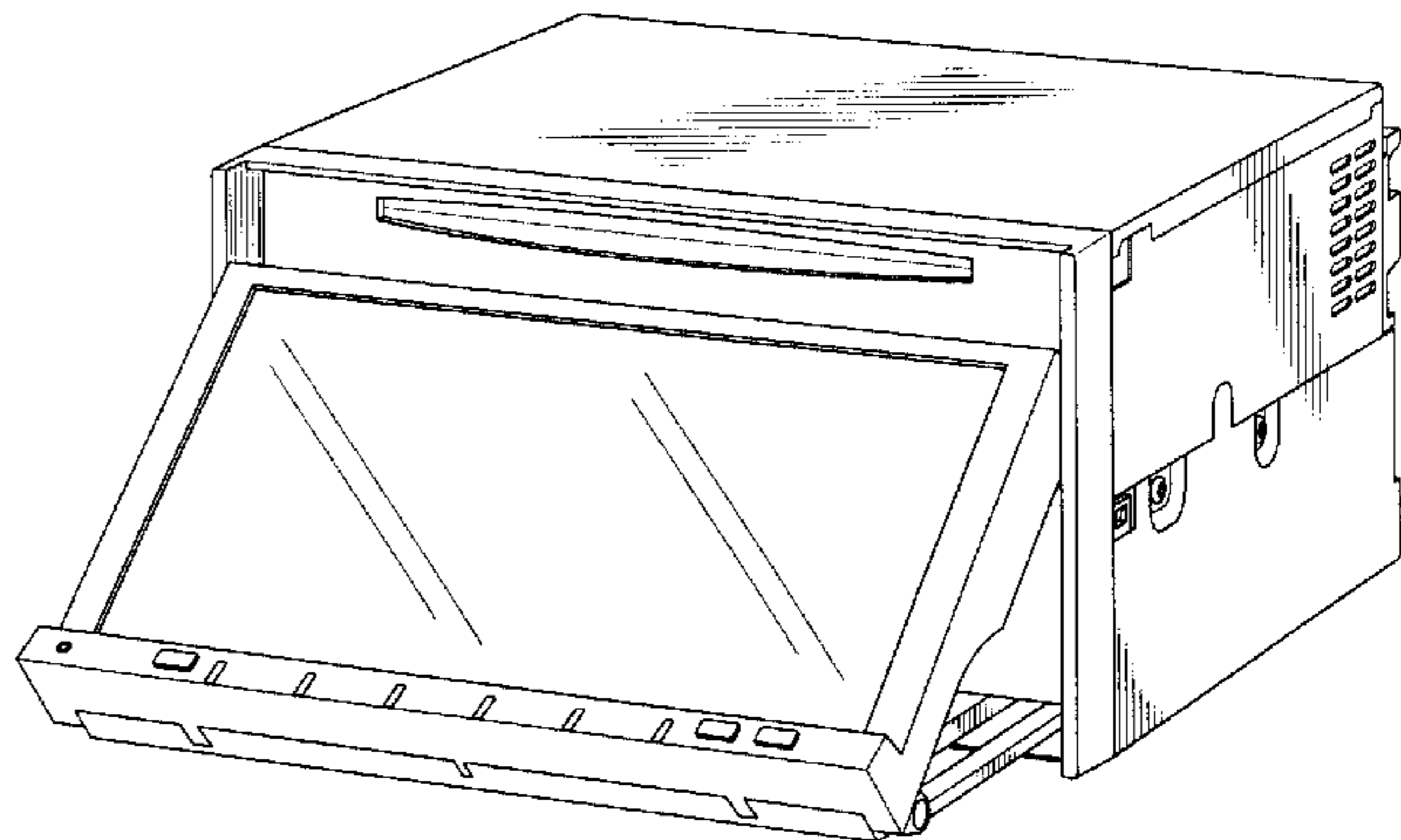
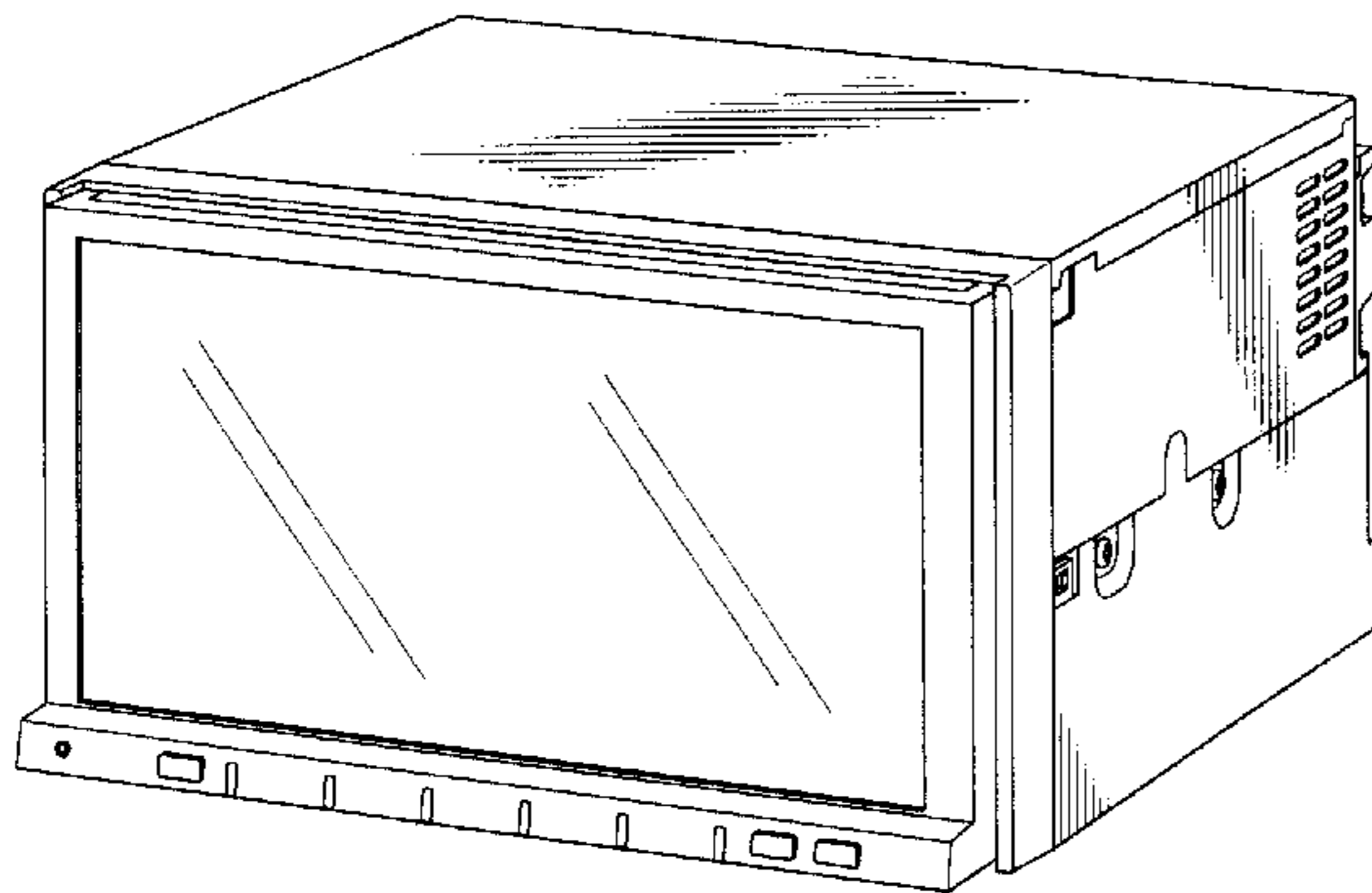
FIG. 6 is a top plan view thereof;

FIG. 7 is a bottom view thereof; and,

FIG. 8 is a perspective view of the digital audio disk player with built-in displaying tuner and amplifier, in which a display portion is in an open position.

The broken line showing on the drawing disclosure is for illustrative purposes only and forms no part of the claimed design.

1 Claim, 5 Drawing Sheets



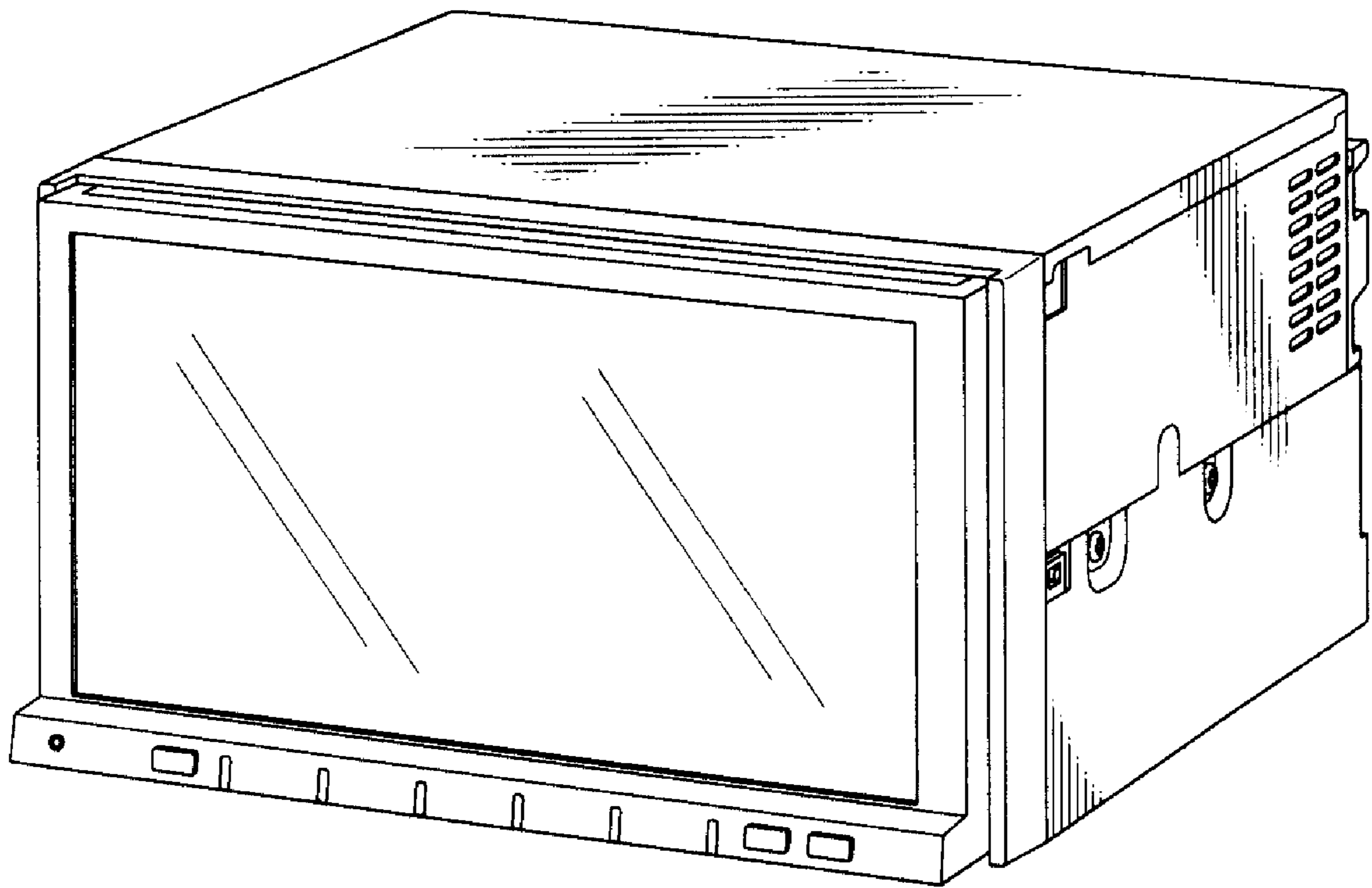


FIG. 1

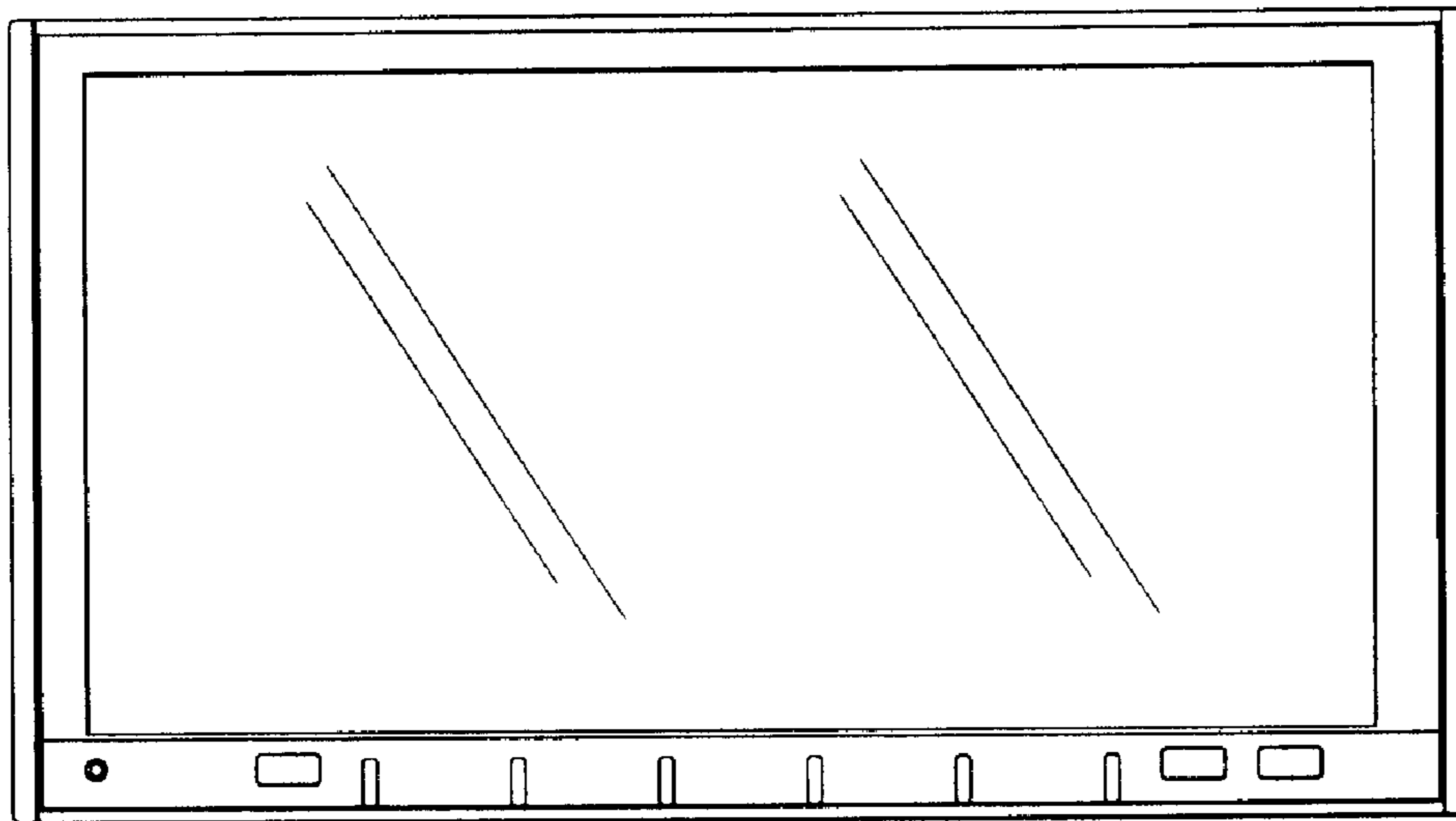


FIG. 2

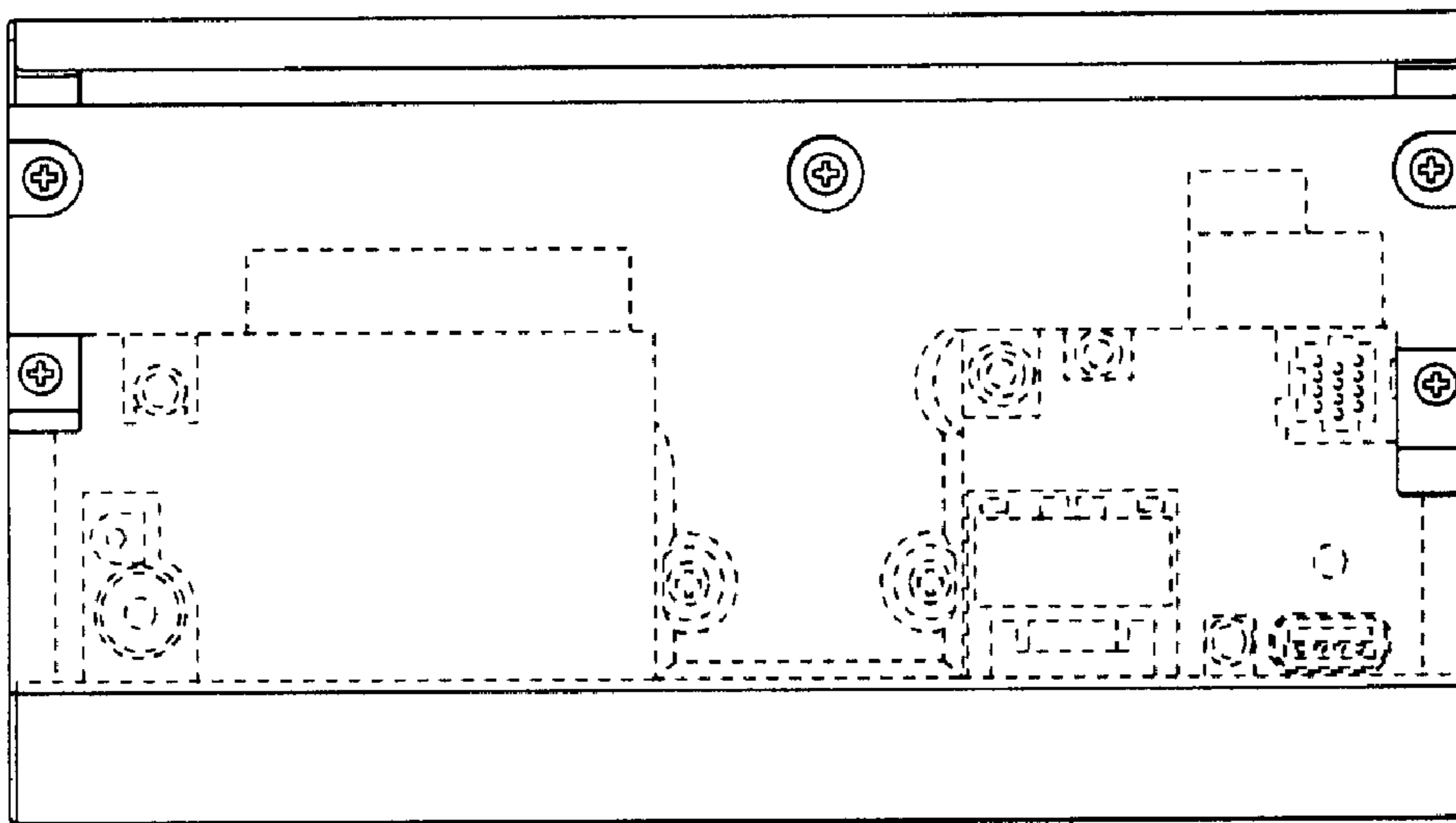


FIG. 3

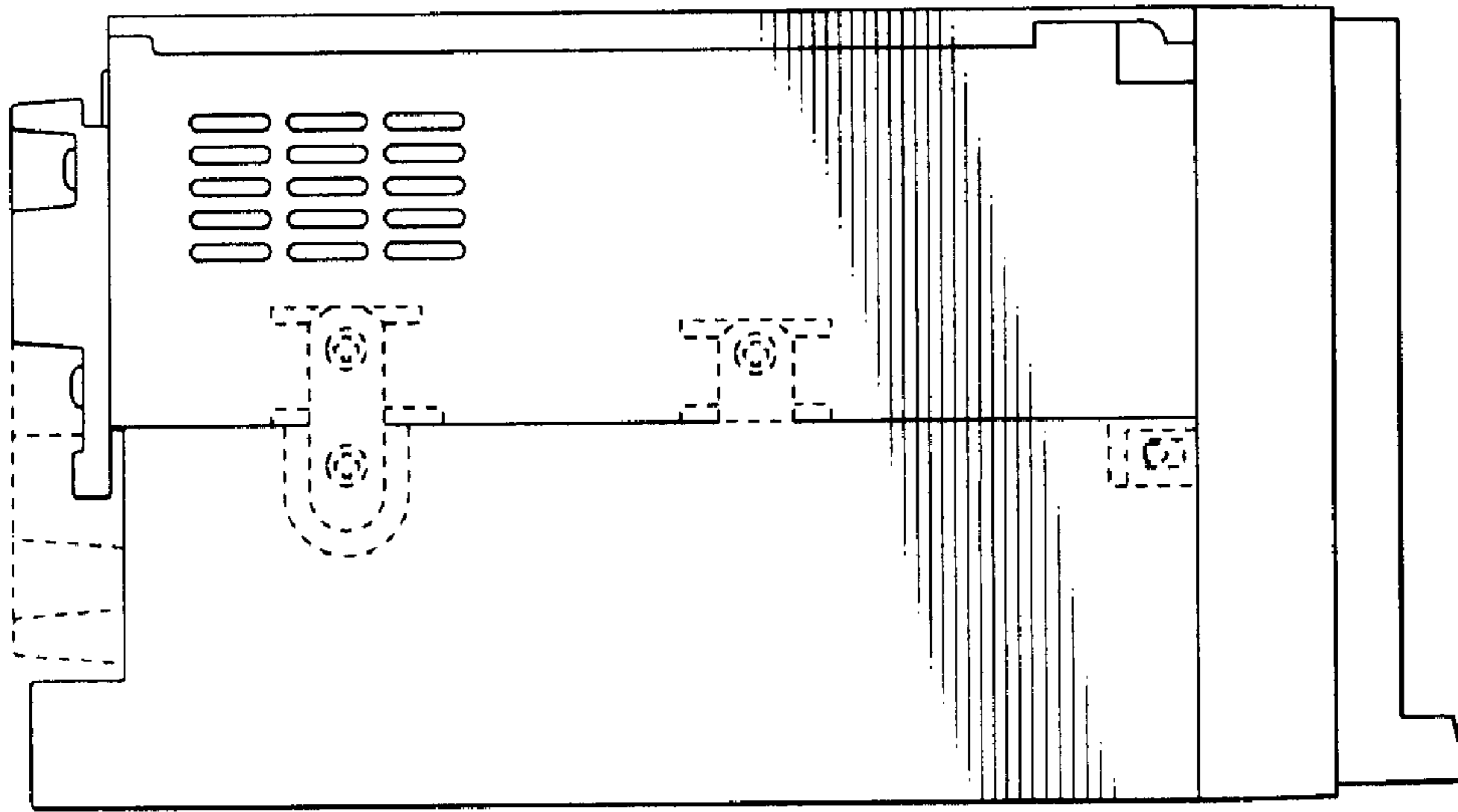


FIG. 4

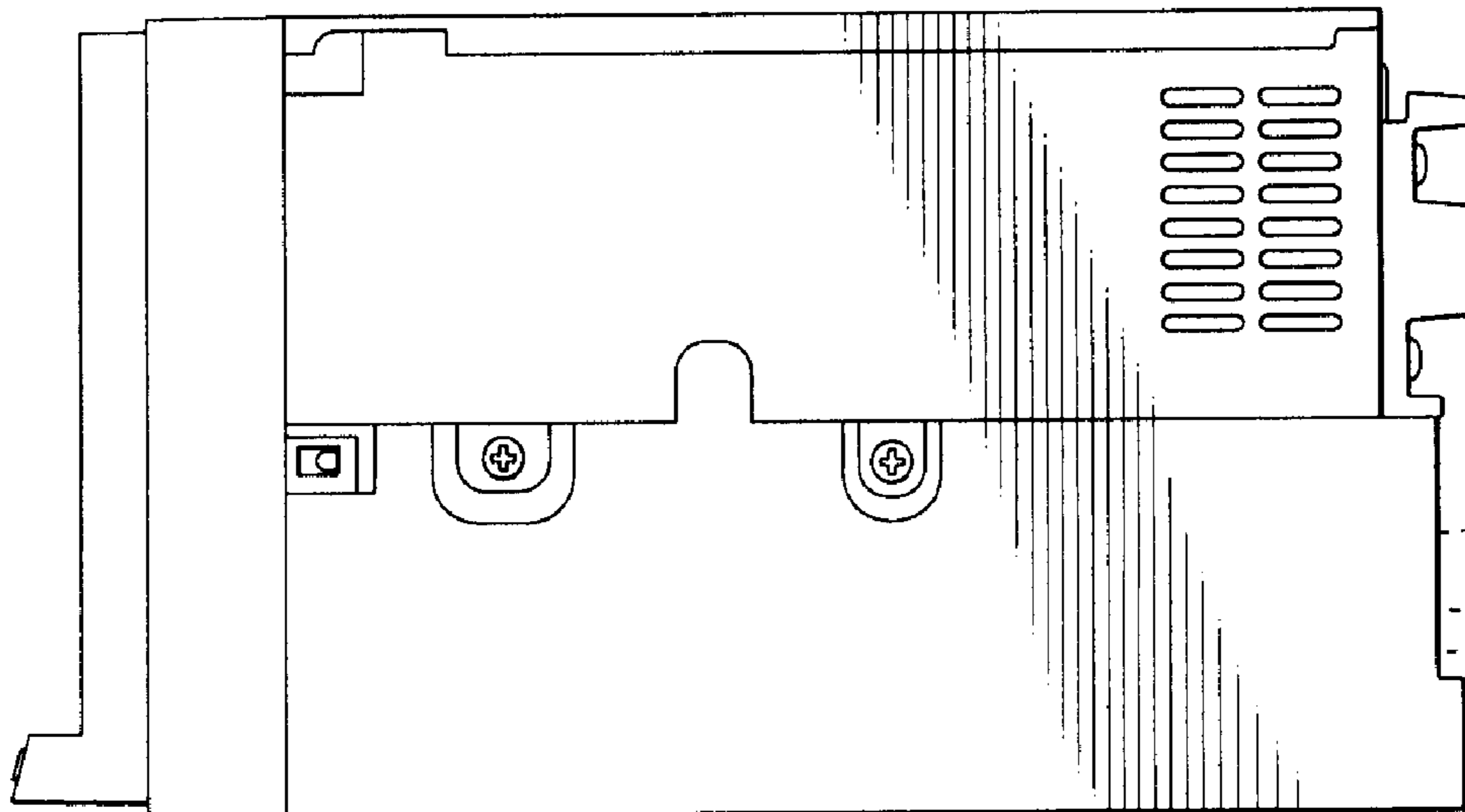


FIG. 5

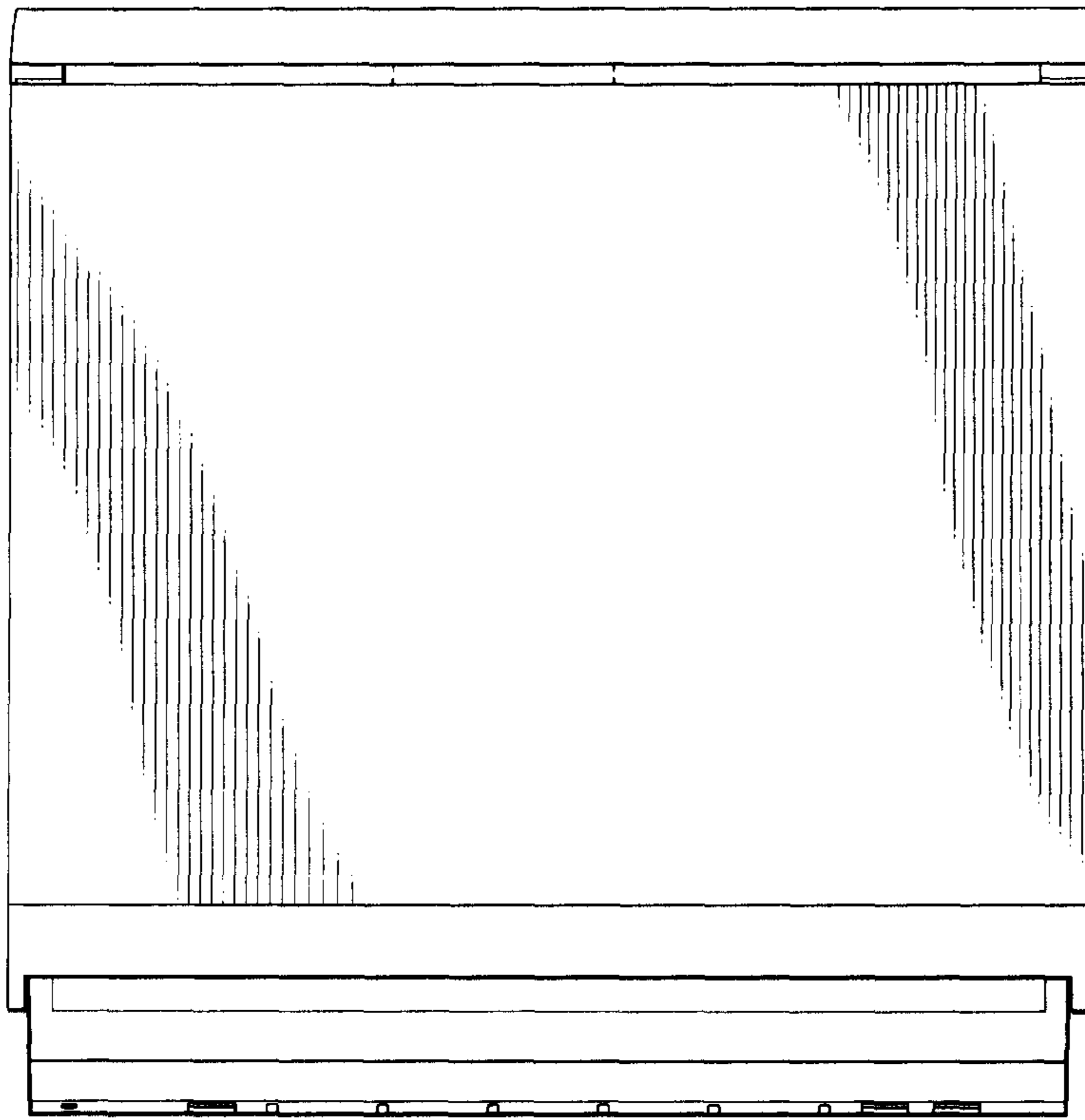


FIG. 6

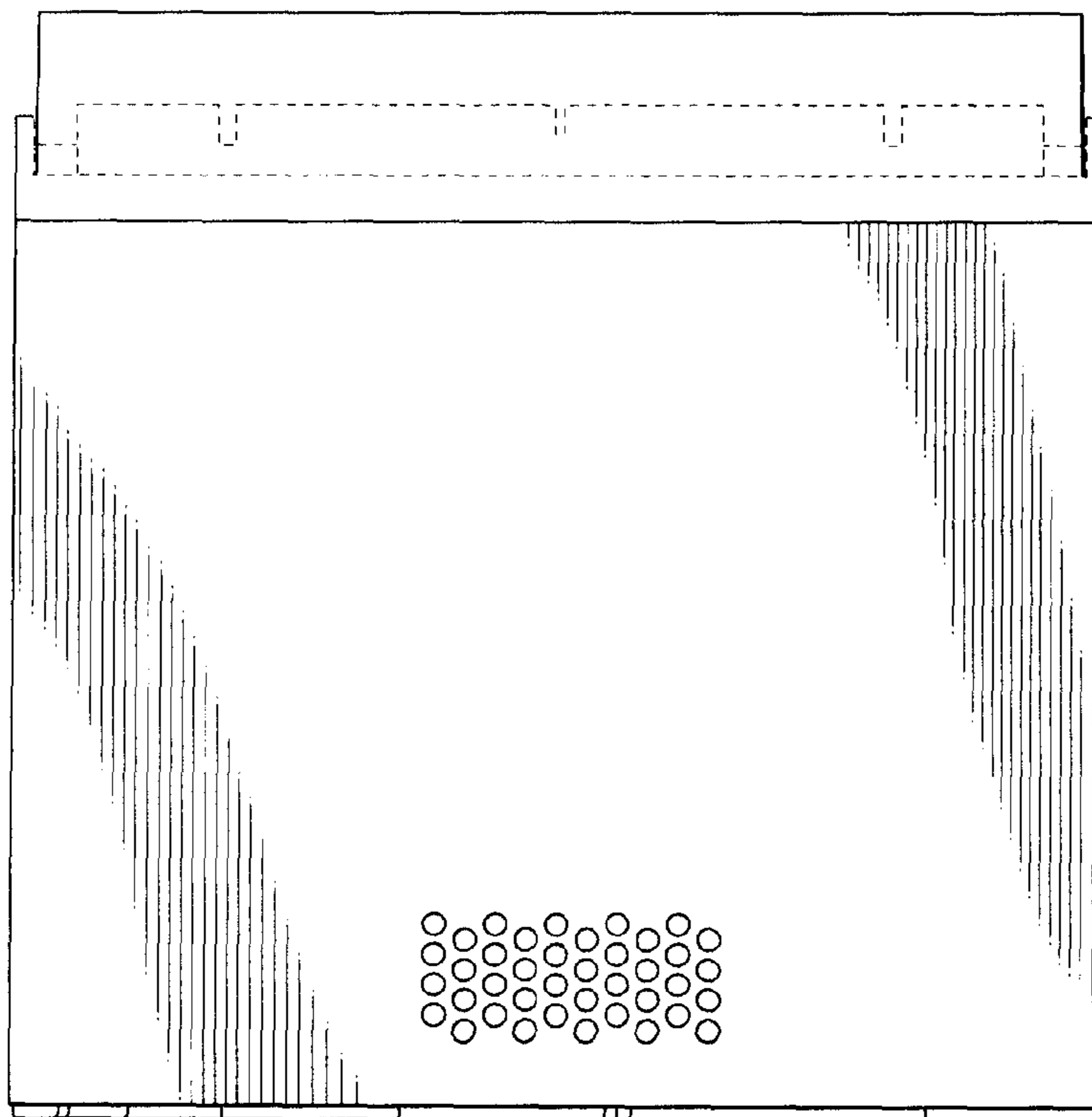


FIG. 7

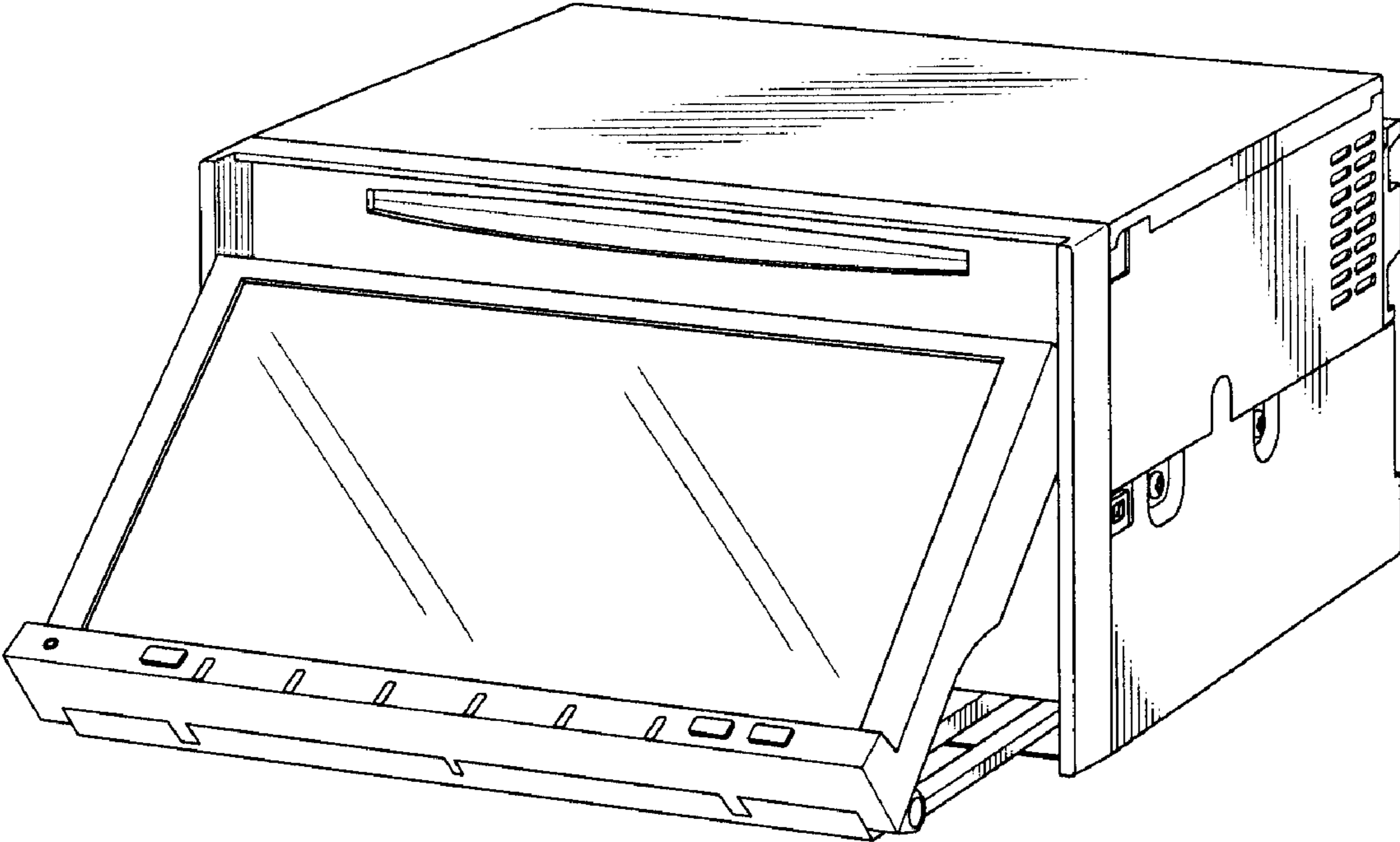


FIG. 8