

US00D620917S

(12) **United States Design Patent**
Hattori et al.

(10) **Patent No.:** **US D620,917 S**
(45) **Date of Patent:** **** Aug. 3, 2010**

(54) **INTERPHONE**

(75) Inventors: **Akihiro Hattori**, Nagoya (JP);
Katsuhiko Ibuki, Nagoya (JP)

(73) Assignee: **Aiphone Co., Ltd.**, Nagoya-Shi (JP)

(**) Term: **14 Years**

(21) Appl. No.: **29/320,258**

(22) Filed: **Jun. 24, 2008**

(30) **Foreign Application Priority Data**

Dec. 26, 2007 (JP) 2007-035725

(51) **LOC (9) Cl.** **14-03**

(52) **U.S. Cl.** **D14/159**

(58) **Field of Classification Search** D14/159,
D14/455, 248, 341–347, 138, 315, 316, 333–340,
D14/387, 390–401, 406, 420, 426–429, 432,
D14/439, 440, 441, 453, 454, 456, 457, 130,
D14/203, 247, 250; D10/65, 30, 74, 70;
D21/324, 329, 330, 331, 333; 455/550.1,
455/575.4, 3.05, 462; 340/538.11, 531, 517,
340/5.84, 540; 370/263, 270; 348/14.02,
348/207.1, 552; 345/169, 168, 901; D20/19
See application file for complete search history.

(56) **References Cited**

U.S. PATENT DOCUMENTS

D470,854 S * 2/2003 Jones et al. D14/456
D481,717 S * 11/2003 Lewis et al. D14/331
D489,051 S * 4/2004 Shiraki et al. D14/238.1
D489,062 S * 4/2004 Hong D14/343
D492,294 S * 6/2004 Kim D14/240
D497,161 S * 10/2004 Chien D14/346
D512,051 S * 11/2005 Wikel et al. D14/240
D521,015 S * 5/2006 Hayes et al. D14/454
D531,586 S * 11/2006 Poulet D13/168
D541,289 S * 4/2007 Ping D14/455

D562,332 S * 2/2008 Rak et al. D14/455
D563,415 S * 3/2008 Griffin et al. D14/439
D563,480 S * 3/2008 Blaseflug et al. D21/333
D565,042 S * 3/2008 Scales et al. D14/248
D567,246 S * 4/2008 Lam et al. D14/455
D571,361 S * 6/2008 Moriyama D14/247
D581,423 S * 11/2008 Hoenig et al. D14/455
D586,817 S * 2/2009 Rak D14/455
D588,603 S * 3/2009 Matsuoka D14/456
D596,640 S * 7/2009 Leung et al. D14/456
D600,245 S * 9/2009 Lam et al. D14/439
D601,136 S * 9/2009 Miles et al. D14/247
2004/0106429 A1 * 6/2004 Park et al. 455/550.1
2005/0266898 A1 * 12/2005 Ahn et al. 455/575.1
2007/0074957 A1 * 4/2007 Lam et al. 200/5 A
2007/0254698 A1 * 11/2007 Griffin et al. 455/556.2

* cited by examiner

Primary Examiner—Cathron C Brooks

Assistant Examiner—Austin Murphy

(74) *Attorney, Agent, or Firm*—Burr & Brown

(57) **CLAIM**

The ornamental design for an interphone, as shown and described.

DESCRIPTION

FIG. 1 is front perspective view of an interphone illustrating our new design;

FIG. 2 a front elevational view thereof;

FIG. 3 is a rear elevational view thereof;

FIG. 4 is a left side elevational view thereof;

FIG. 5 is a right side elevational view thereof;

FIG. 6 is a top plan view thereof; and,

FIG. 7 is a bottom plan view thereof.

The broken lines in the drawings represent unclaimed subject matter.

1 Claim, 6 Drawing Sheets

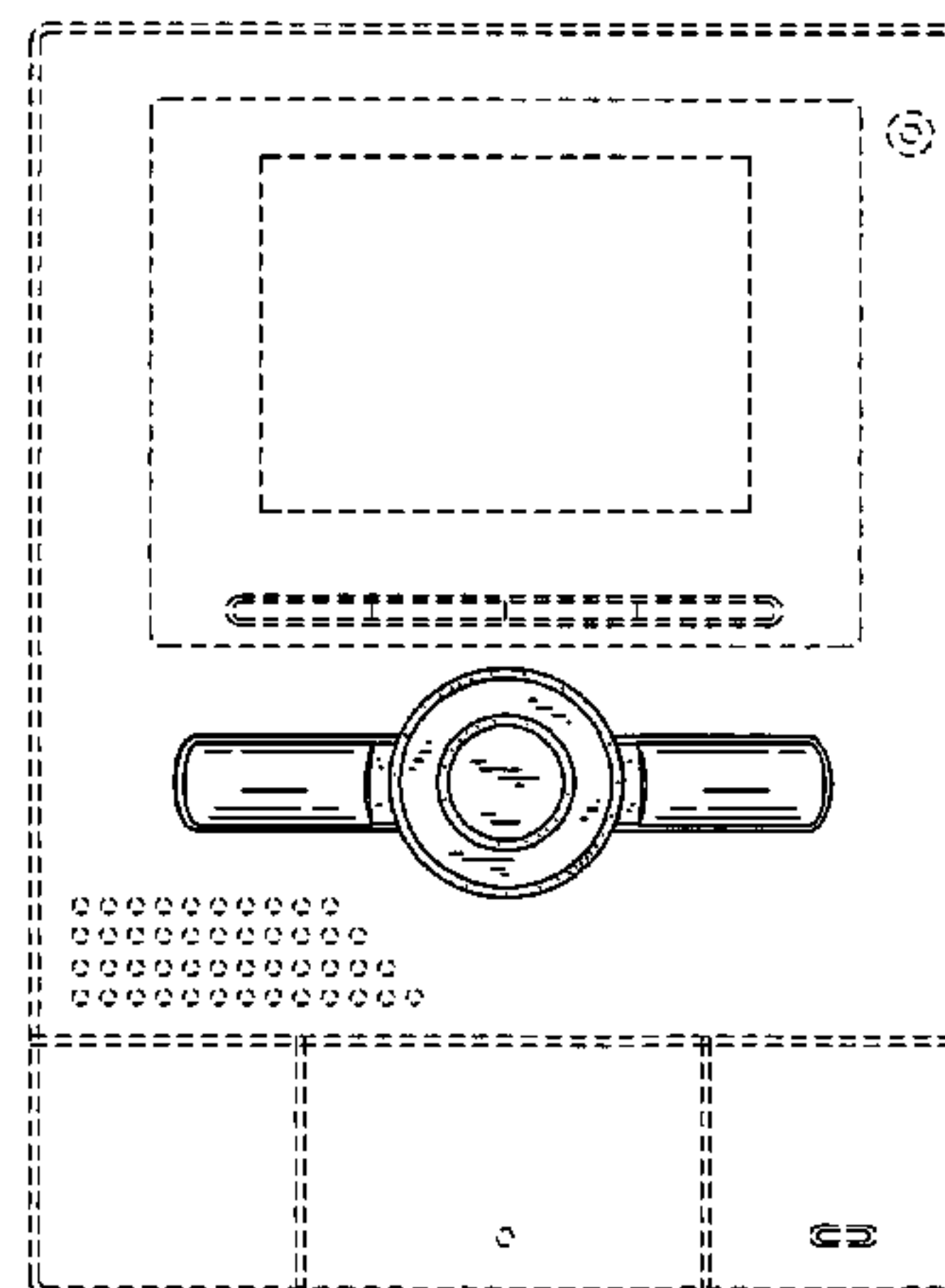
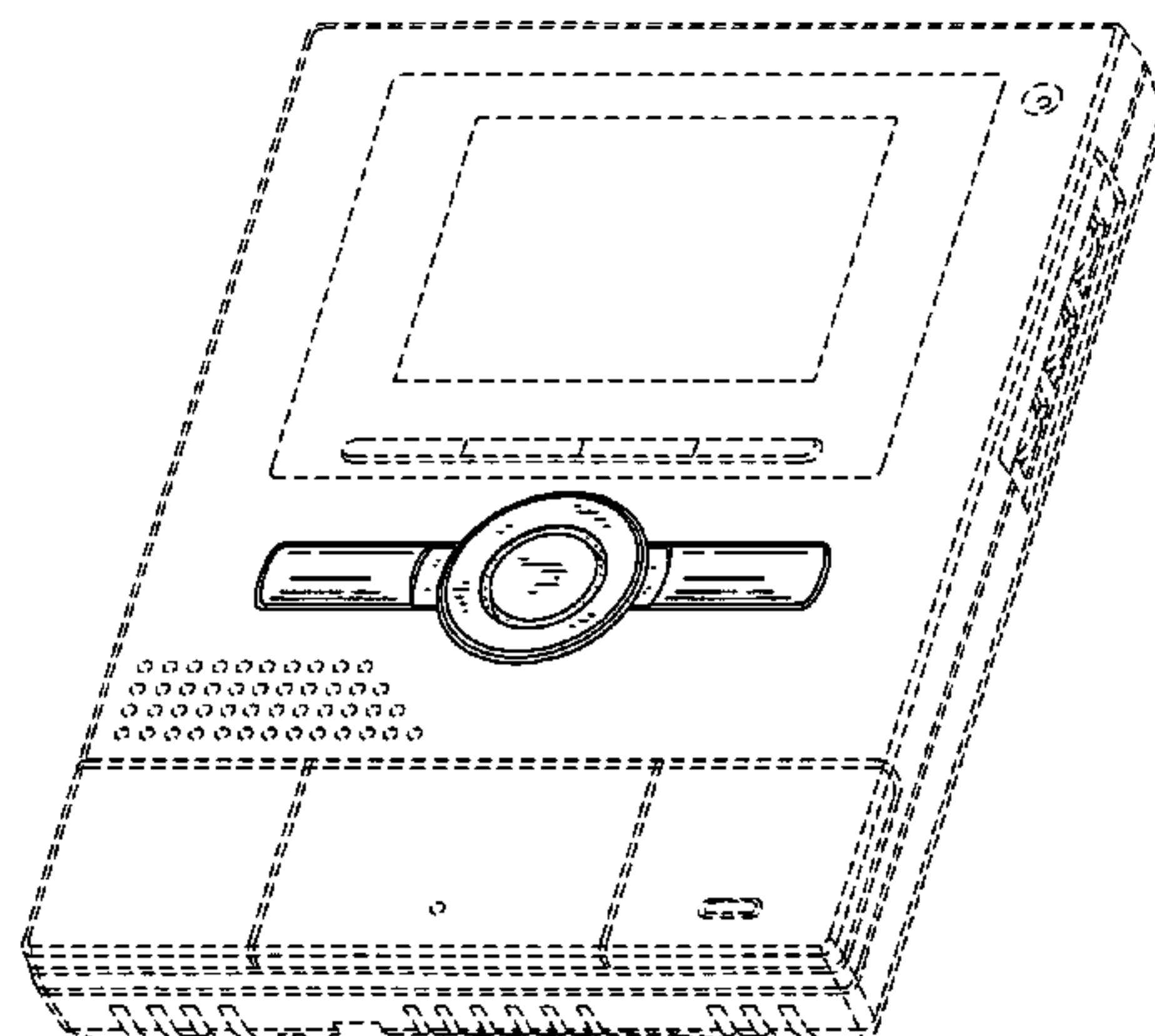


FIG. 1

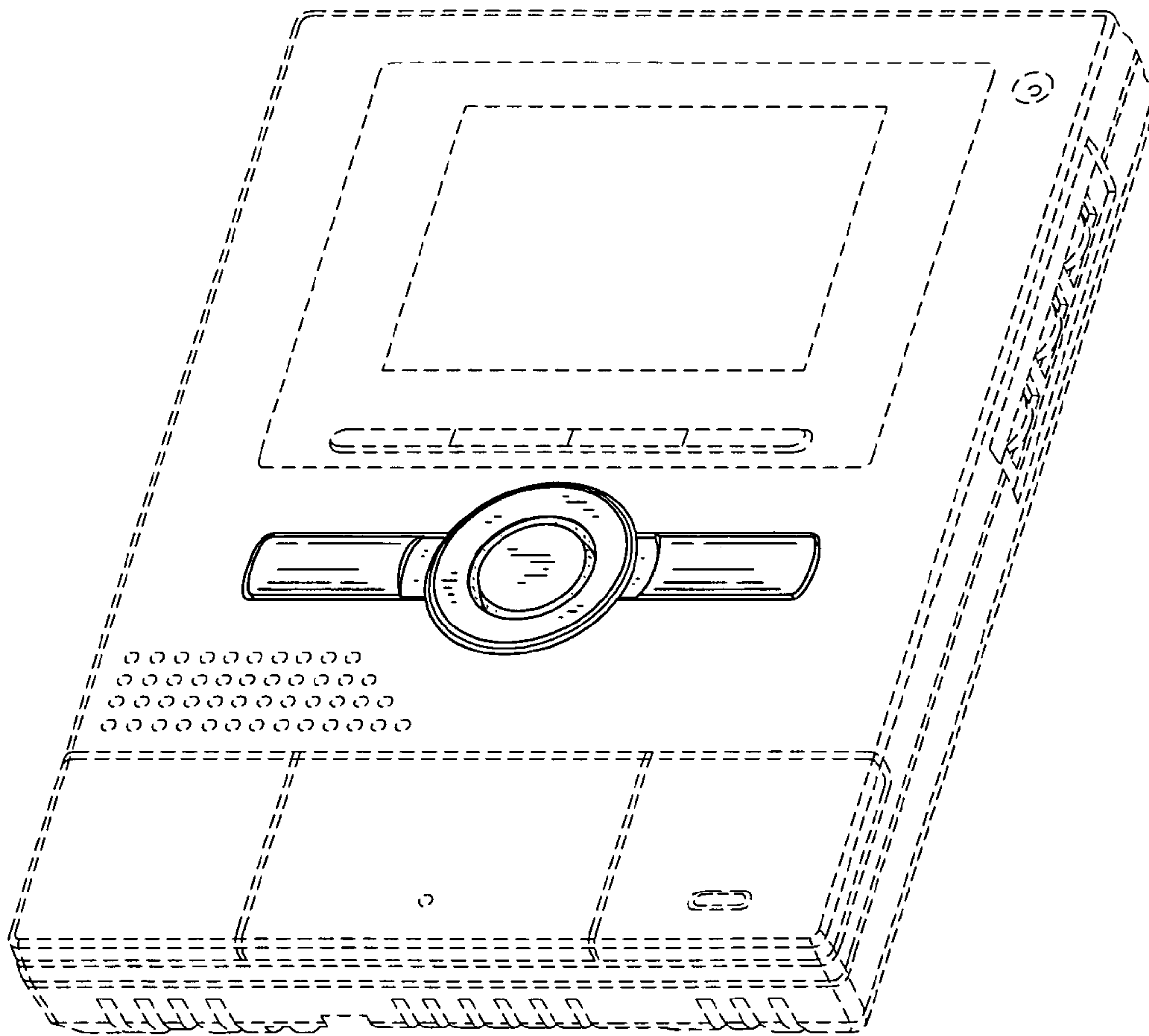


FIG. 2

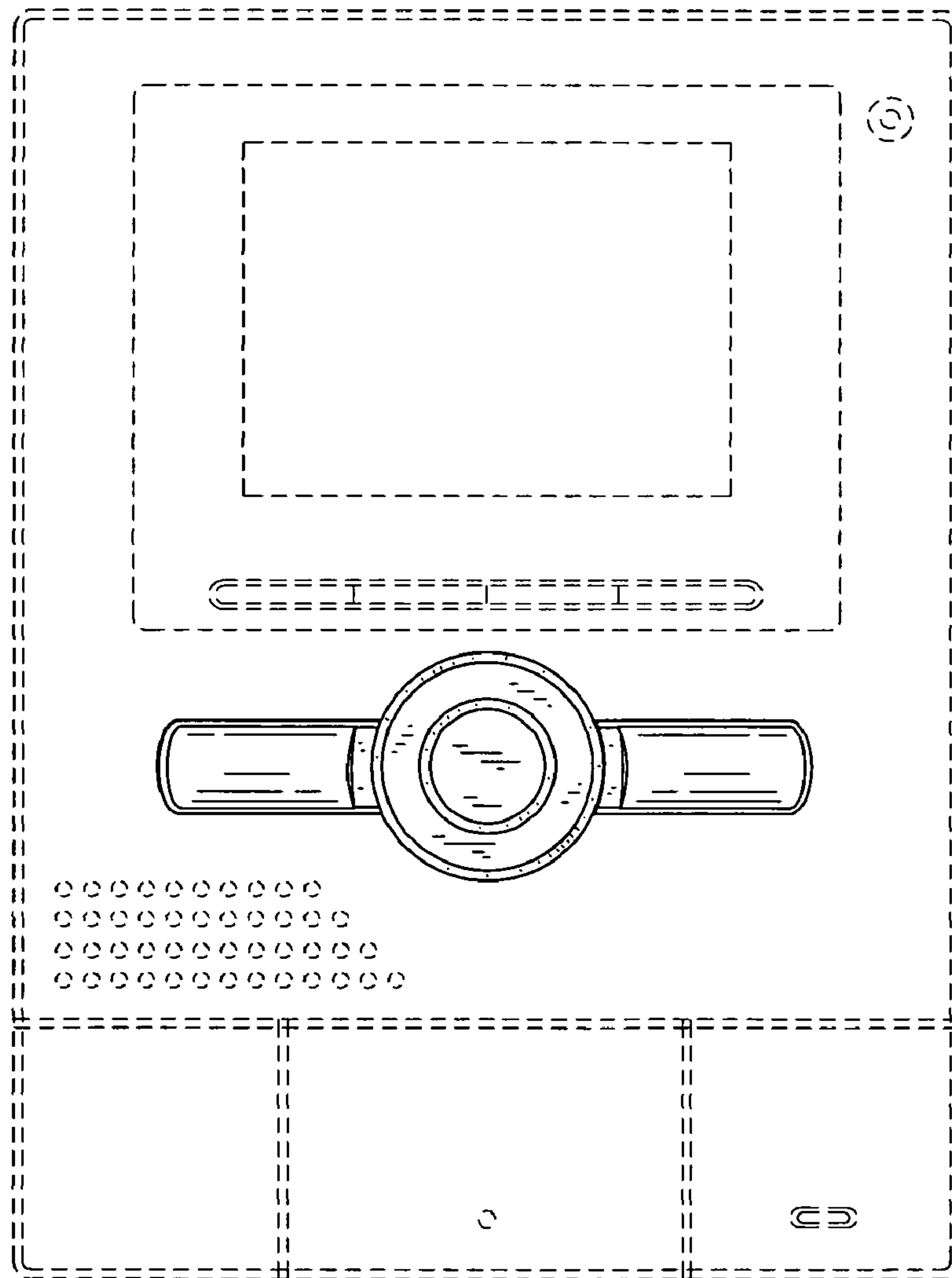


FIG. 3

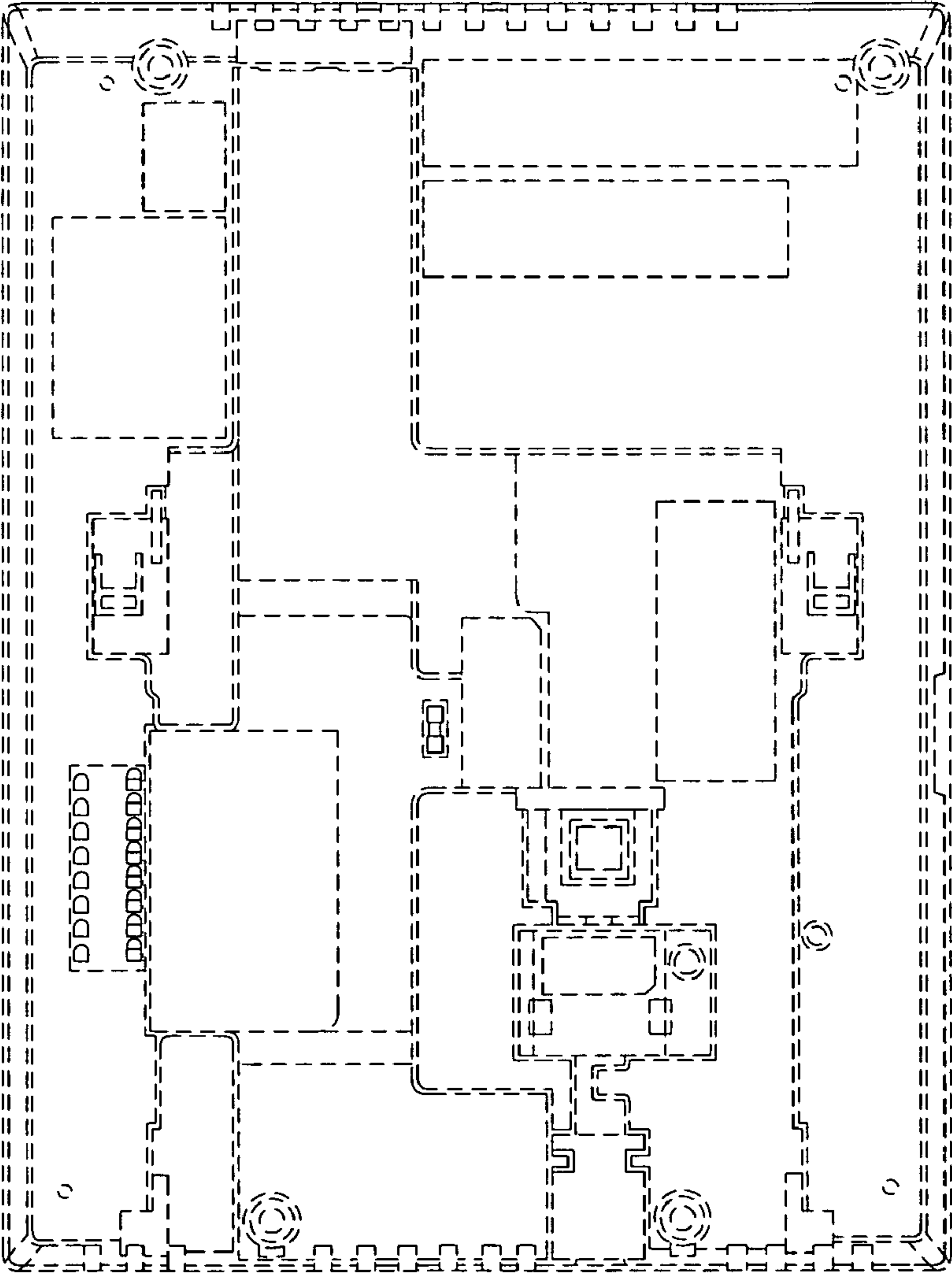


FIG. 4

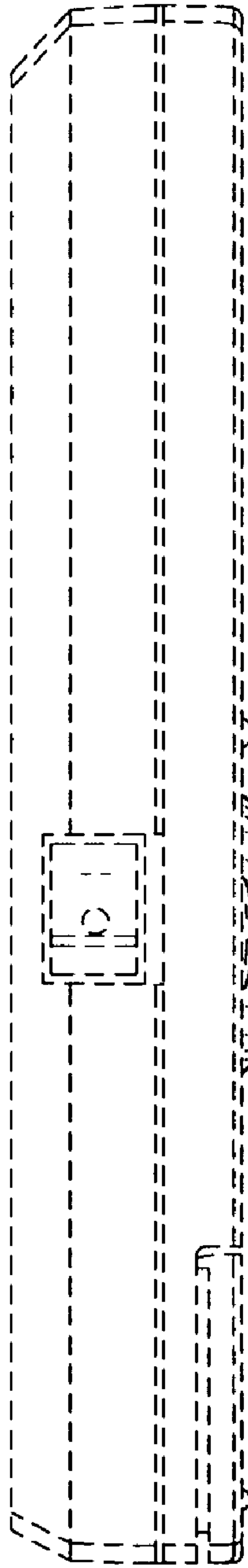


FIG. 5

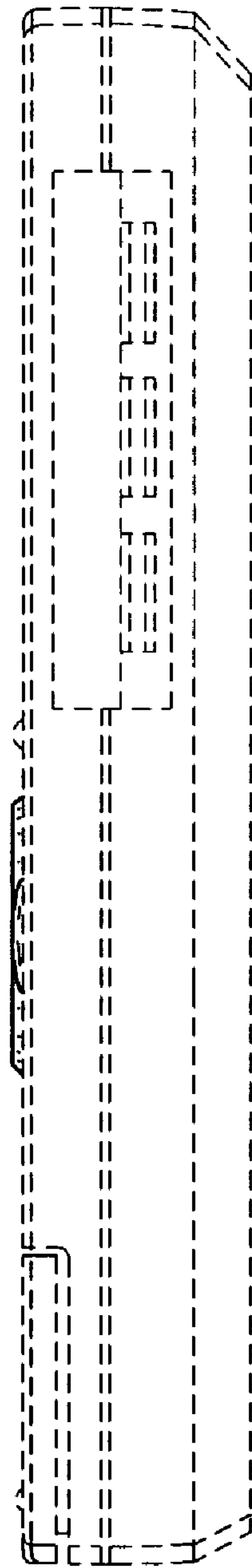


FIG. 6

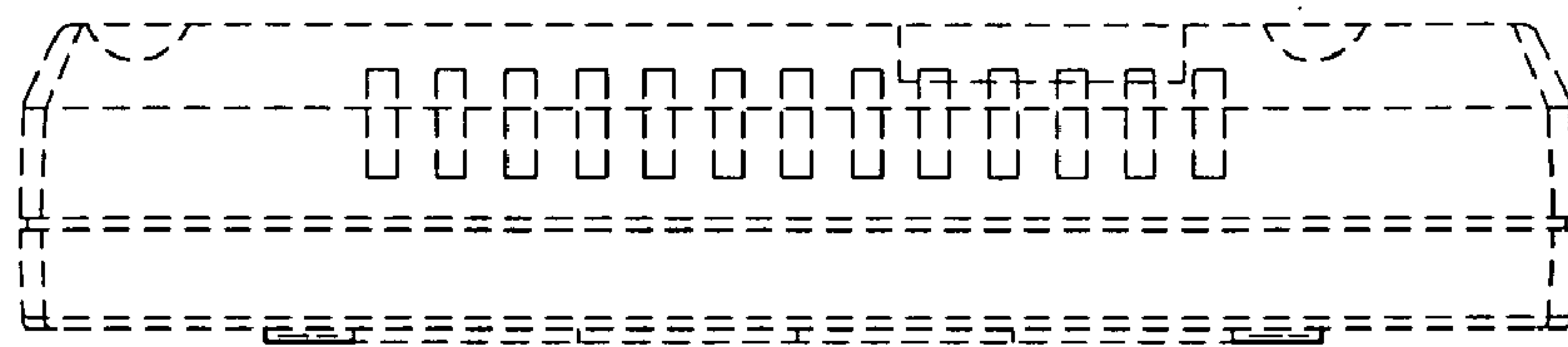


FIG. 7

