



US00D620916S

(12) **United States Design Patent**  
**Wada**

(10) **Patent No.:** **US D620,916 S**

(45) **Date of Patent:** **\*\* Aug. 3, 2010**

(54) **SPEAKERPHONE**

(75) Inventor: **Isao Wada**, Hamamatsu (JP)

(73) Assignee: **Yamaha Corporation**, Hamamatsu-shi (JP)

(\*\*) Term: **14 Years**

(21) Appl. No.: **29/350,722**

(22) Filed: **Nov. 23, 2009**

(30) **Foreign Application Priority Data**

Aug. 31, 2009 (JP) ..... 2009-019988

(51) **LOC (9) Cl.** ..... **14-03**

(52) **U.S. Cl.** ..... **D14/149**

(58) **Field of Classification Search** ..... D14/130,  
D14/140, 140.1, 140.8, 141.1, 141.3, 142,  
D14/149-151, 158-159, 168, 171-172, 188,  
D14/211, 214, 225-226, 240, 243, 251, 253,  
D14/299, 336, 215, 167, 210, 212; 379/387.01,  
379/388.02, 420.02, 447, 453, 434; 381/16;  
D13/107-108; D21/329, 331, 333, 517  
See application file for complete search history.

(56) **References Cited**

**U.S. PATENT DOCUMENTS**

- D103,667 S \* 3/1937 Brogden ..... D9/431
- D269,719 S \* 7/1983 Tovey ..... D24/101
- D292,580 S \* 11/1987 Wang ..... D14/151
- D309,161 S \* 7/1990 Leung ..... D21/331
- D312,423 S \* 11/1990 Orlinsky et al. .... D10/104
- 5,009,896 A \* 4/1991 Becker ..... 424/467
- D319,467 S \* 8/1991 Clowes ..... D19/36
- D321,187 S \* 10/1991 Yang ..... D14/150
- D339,996 S \* 10/1993 Rattley ..... D10/104
- D342,732 S \* 12/1993 Hinman et al. .... D14/150
- D344,276 S \* 2/1994 Markusson et al. .... D15/139
- D349,300 S \* 8/1994 Lau ..... D19/62
- D353,165 S \* 12/1994 LeMarr et al. .... D21/398
- D353,907 S \* 12/1994 Doria ..... D26/106

- D357,685 S \* 4/1995 Reardon et al. .... D14/242
- D363,742 S \* 10/1995 Fitzsimmons ..... D19/69
- D403,328 S \* 12/1998 Wakefield ..... D14/229
- D463,488 S \* 9/2002 Kramer et al. .... D19/36
- D473,546 S \* 4/2003 Hovanky et al. .... D14/240
- D502,468 S \* 3/2005 Knight et al. .... D14/400
- D532,780 S \* 11/2006 Proctor et al. .... D14/240
- D540,485 S \* 4/2007 Waedeled ..... D26/70
- D543,180 S \* 5/2007 Ra ..... D14/138 AB
- D562,385 S \* 2/2008 Camillo ..... D19/41
- D594,438 S \* 6/2009 Wada ..... D14/149
- D603,550 S \* 11/2009 Levine ..... D26/80

**OTHER PUBLICATIONS**

Yamaha PJP-25UR VoIP Speakerphone, <URL:http://www.everythingusb.com/yamaha\_pjp-25ur\_usb\_speakerphone\_13582.html>, retrieved from internet Mar. 12, 2010.\*

\* cited by examiner

*Primary Examiner*—Robert M Spear  
*Assistant Examiner*—Carla Jobe Wright  
(74) *Attorney, Agent, or Firm*—Sughrue Mion, PLLC

(57) **CLAIM**

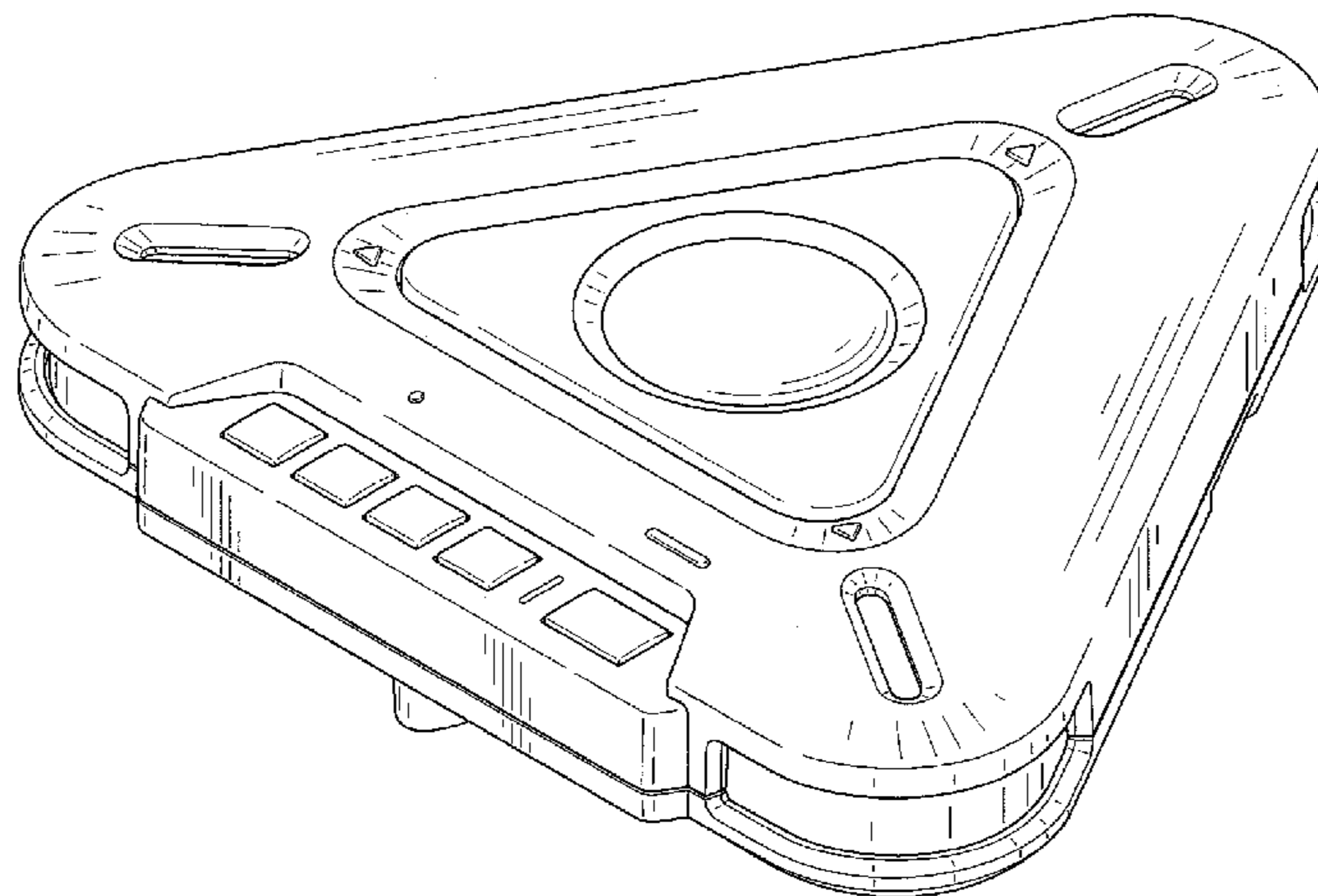
The ornamental design for a speakerphone, as shown and described.

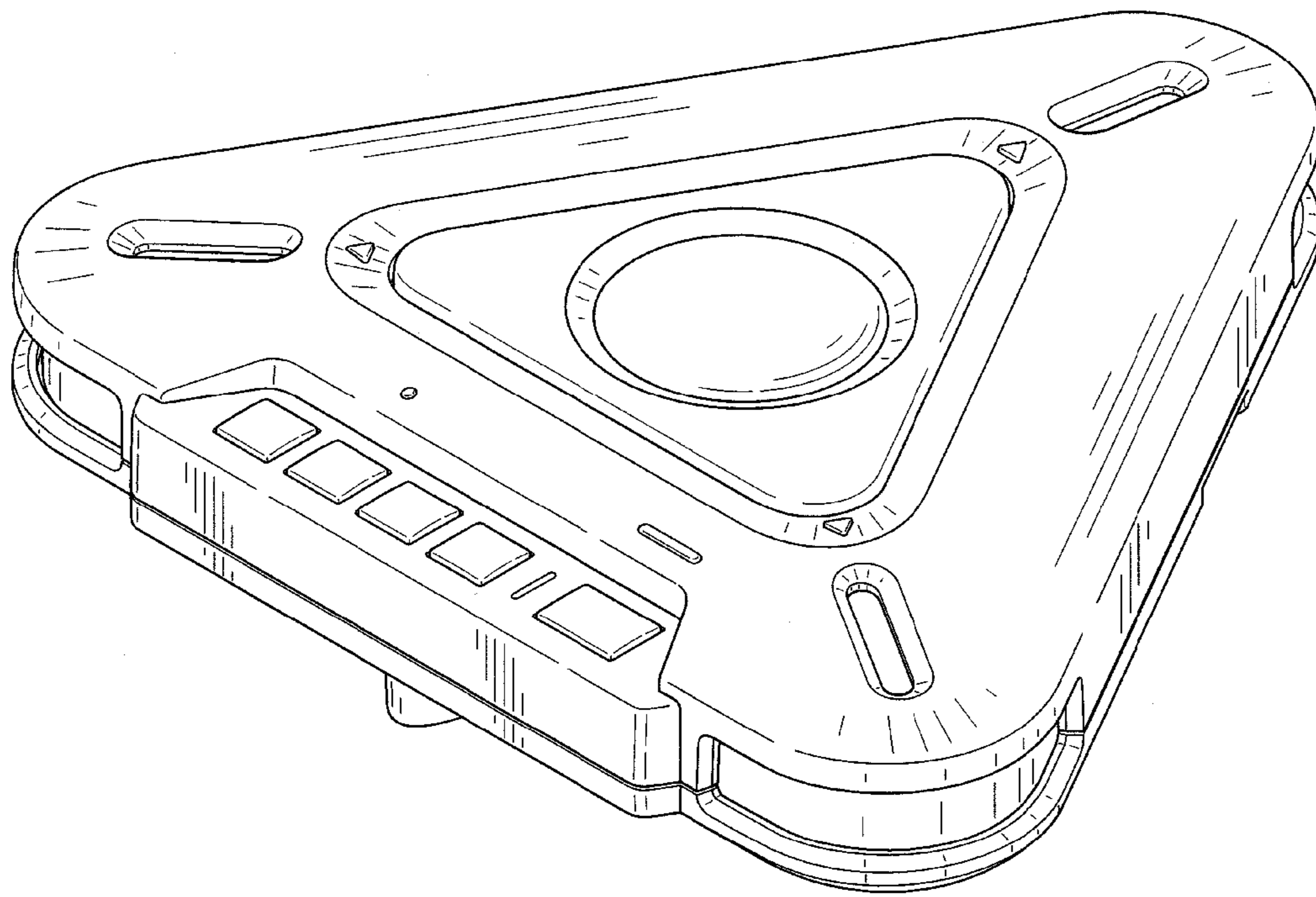
**DESCRIPTION**

FIG. 1 is a perspective view of the bottom, front and right side of a speakerphone showing my new design;  
FIG. 2 is a front view thereof;  
FIG. 3 is a rear view thereof;  
FIG. 4 is a left side view thereof;  
FIG. 5 is a right side view thereof;  
FIG. 6 is a top plan view thereof; and,  
FIG. 7 is a bottom view thereof.

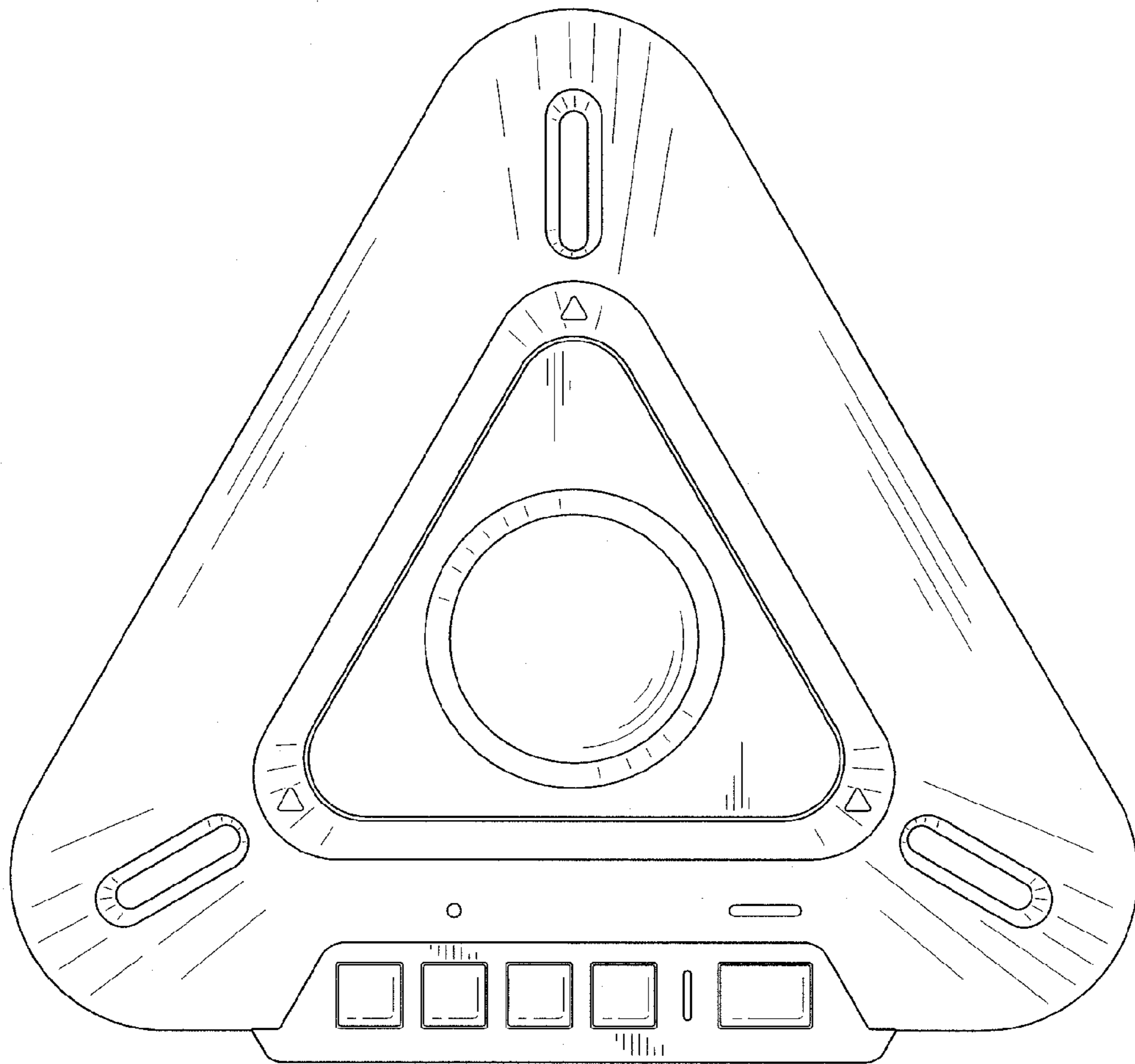
In the drawing, the broken lines depict unclaimed environment.

**1 Claim, 5 Drawing Sheets**





*FIG. 1*



*FIG. 2*

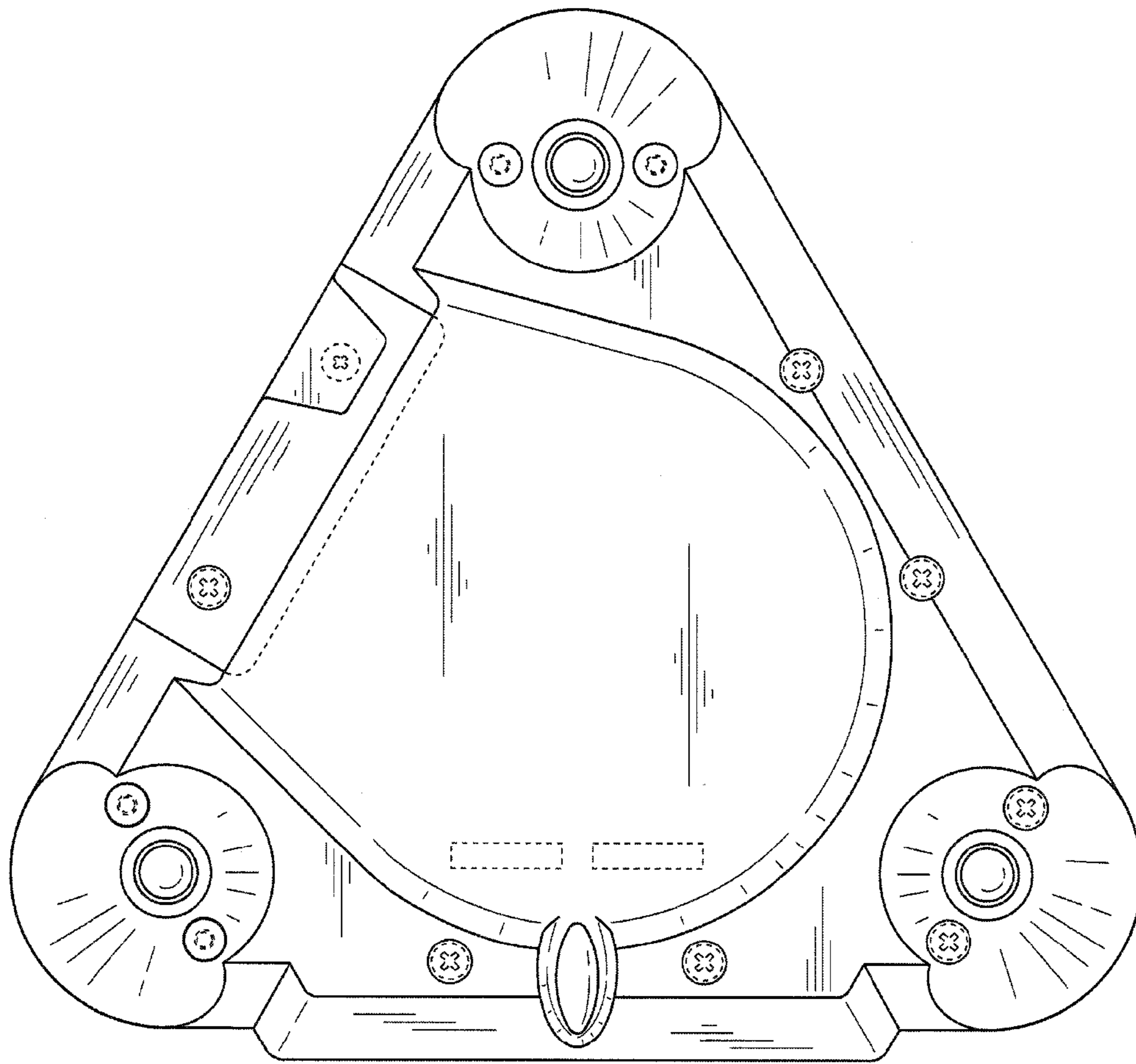
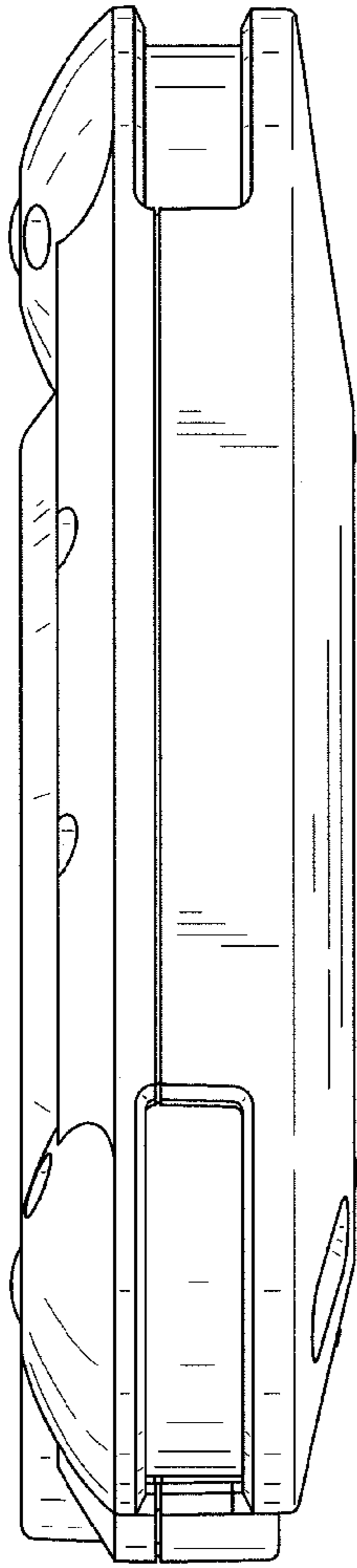
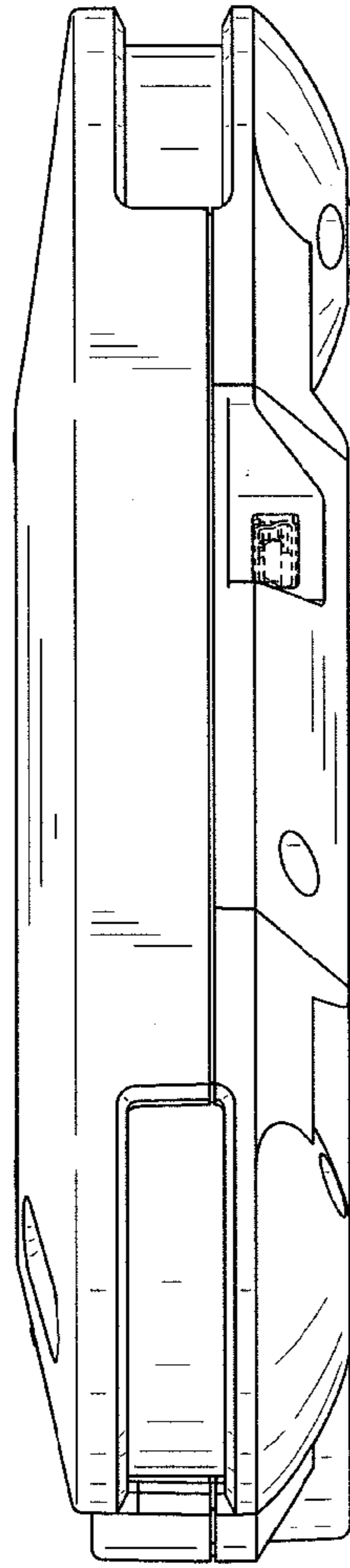


FIG. 3



*FIG. 4*



*FIG. 5*

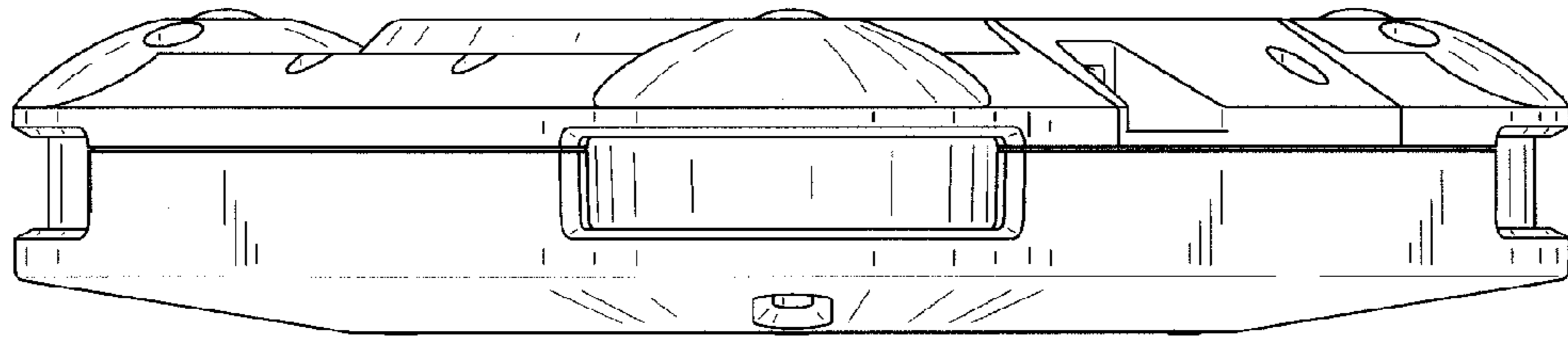


FIG. 6

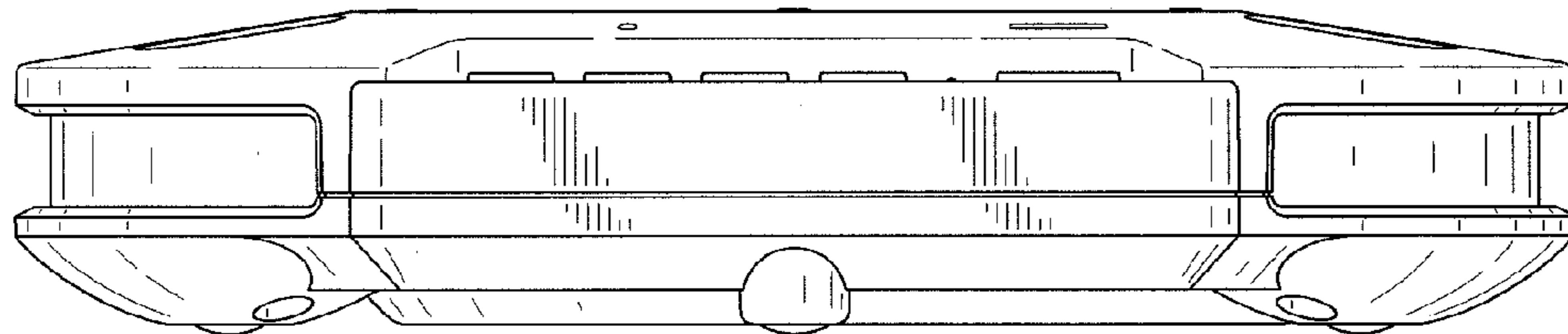


FIG. 7