



US00D620913S

(12) **United States Design Patent**
Kim et al.

(10) **Patent No.:** **US D620,913 S**
(45) **Date of Patent:** **** Aug. 3, 2010**

(54) **MOBILE PHONE**

(75) Inventors: **Jin-Soo Kim**, Yongin-si (KR);
Min-Hyouk Lee, Seoul (KR);
Seog-Guen Kim, Seoul (KR)

(73) Assignee: **Samsung Electronics Co., Ltd.**,
Suwon-si (KR)

(**) Term: **14 Years**

(21) Appl. No.: **29/345,482**

(22) Filed: **Oct. 16, 2009**

(30) **Foreign Application Priority Data**

Sep. 14, 2009 (KR) 30-2009-0040755

(51) **LOC (9) Cl.** **14-03**

(52) **U.S. Cl.** **D14/138 AD**

(58) **Field of Classification Search** D14/138 R,
D14/138 AD, 138 AC, 138 C, 138 G, 191,
D14/203.1–203.8, 496, 138 AA, 138 AB,
D14/247–248, 137, 147, 218, 341–347; D10/65,
D10/78, 104; D13/168; D18/7; 455/566,
455/575.1, 575.3

See application file for complete search history.

(56) **References Cited**

U.S. PATENT DOCUMENTS

D457,883 S * 5/2002 Sugioka et al. D14/342
D481,692 S * 11/2003 Husgafvel D14/138 AD
D519,998 S * 5/2006 Park D14/346
7,069,003 B2 * 6/2006 Lehtikoinen et al. 455/414.2
D527,369 S * 8/2006 Chung et al. D14/138 AD
D529,888 S * 10/2006 Lee et al. D14/138 AD
D555,135 S * 11/2007 Chung et al. D14/138 AD
D555,139 S * 11/2007 Kim et al. D14/138 AD
D560,188 S * 1/2008 Lee et al. D14/138 AD
D560,190 S * 1/2008 Lee et al. D14/138 AD

D560,191 S * 1/2008 Choi et al. D14/138 AD
D560,193 S * 1/2008 Sung et al. D14/138 AD
D561,512 S * 2/2008 Park et al. D14/138 AD
7,331,516 B2 * 2/2008 Hwang et al. 235/380
D563,353 S * 3/2008 Lee et al. D14/138 AD

(Continued)

OTHER PUBLICATIONS

Gigabyte g-Smart, announced 2005, [online], [retrieved on Mar. 20, 2007]. Retrieved from Internet ,<URL: <http://www.gsmarena.com>>.*

(Continued)

Primary Examiner—Jeffrey D Asch
Assistant Examiner—Bridget L Eland
(74) *Attorney, Agent, or Firm*—NSIP Law

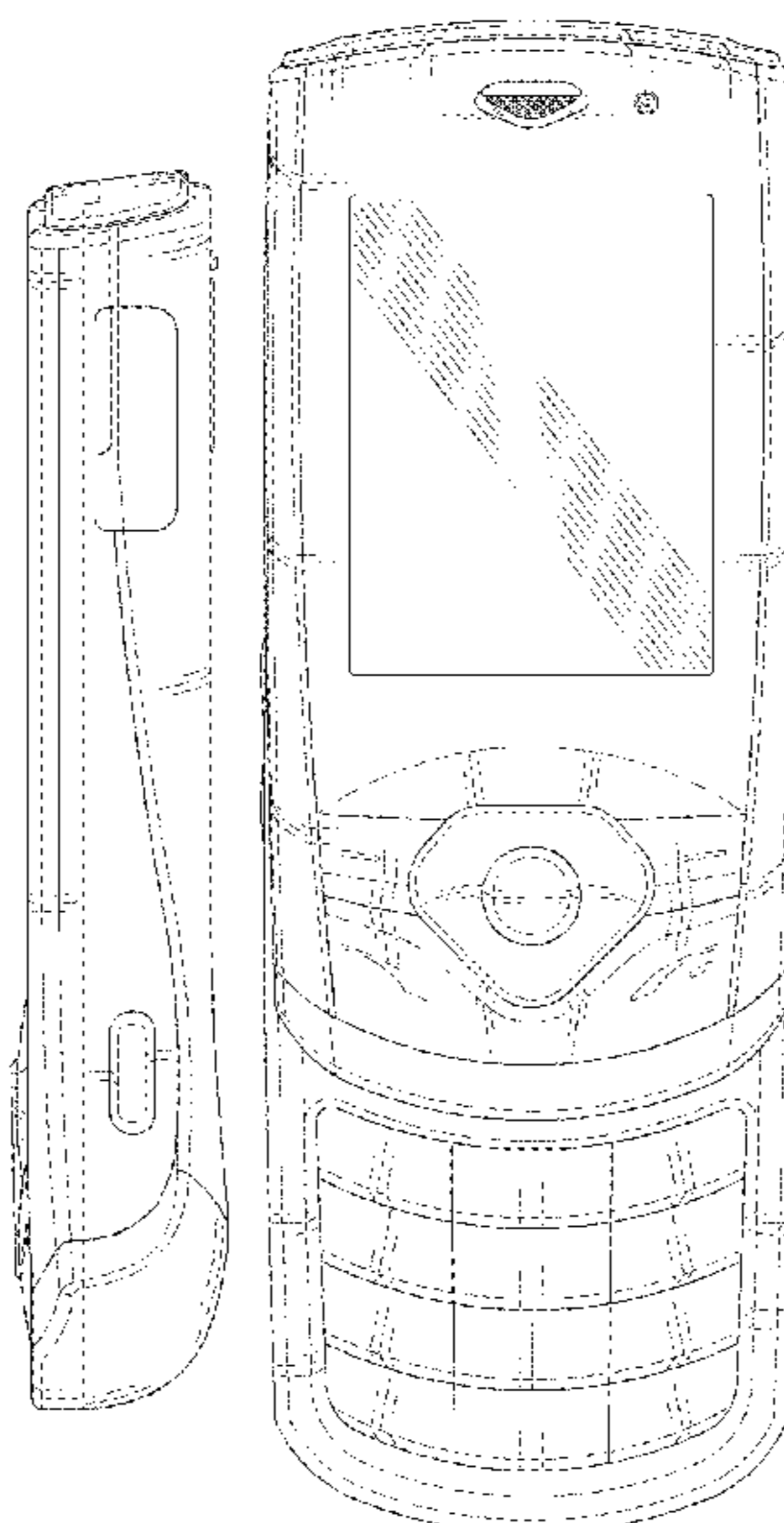
(57) **CLAIM**

The ornamental design for a mobile phone, as shown and described.

DESCRIPTION

FIG. 1 is a perspective view of a mobile phone;
FIG. 2 is a front view of the mobile phone of FIG. 1;
FIG. 3 is a rear view of the mobile phone of FIG. 1;
FIG. 4 is a left-side view of the mobile phone of FIG. 1;
FIG. 5 is a right-side view of the mobile phone of FIG. 1;
FIG. 6 is a top plan view of the mobile phone of FIG. 1;
FIG. 7 is a bottom plan view of the mobile phone of FIG. 1;
and,
FIG. 8 is a front open view of the mobile phone of FIG. 1.

1 Claim, 6 Drawing Sheets



US D620,913 S

Page 2

U.S. PATENT DOCUMENTS

D563,370 S * 3/2008 Choi et al. D14/138 AD
D576,596 S * 9/2008 Moon et al. D14/138 AD
D579,903 S * 11/2008 Kim et al. D14/138 AD
7,507,044 B2 * 3/2009 Kemppinen 400/489
D590,366 S * 4/2009 Kim D14/138 AD
D592,631 S * 5/2009 Kim et al. D14/138 AD
2005/0113154 A1 * 5/2005 Park et al. 455/575.4
2005/0221873 A1 * 10/2005 Kameyama et al. 455/575.4
2007/0021160 A1 * 1/2007 Li 455/575.4
2008/0207188 A1 * 8/2008 Ahn et al. 455/418
2008/0207284 A1 * 8/2008 Jung et al. 455/575.4

OTHER PUBLICATIONS

Samsung E390, announced Oct. 2006, [online], [retrieved on Feb. 8, 2007]. Retrieved from Internet ,<URL: <http://www.gsmarena.com>>.*

Samsung S5600v Blade, announced Jun. 2009, [online], [retrieved on Jul. 13, 2009]. Retrieved from Internet ,<URL: <http://www.gsmarena.com>>.*

Samsung S3550 Shark 3, announced Jan. 2010, [online], [retrieved on Jan. 19, 2010]. Retrieved from Internet ,<URL: <http://www.gsmarena.com>>.*

Samsung S5550 Shark 2, announced Jan. 2010, [online], [retrieved on Jan. 19, 2010]. Retrieved from Internet ,<URL: <http://www.gsmarena.com>>.*

* cited by examiner

FIG. 1

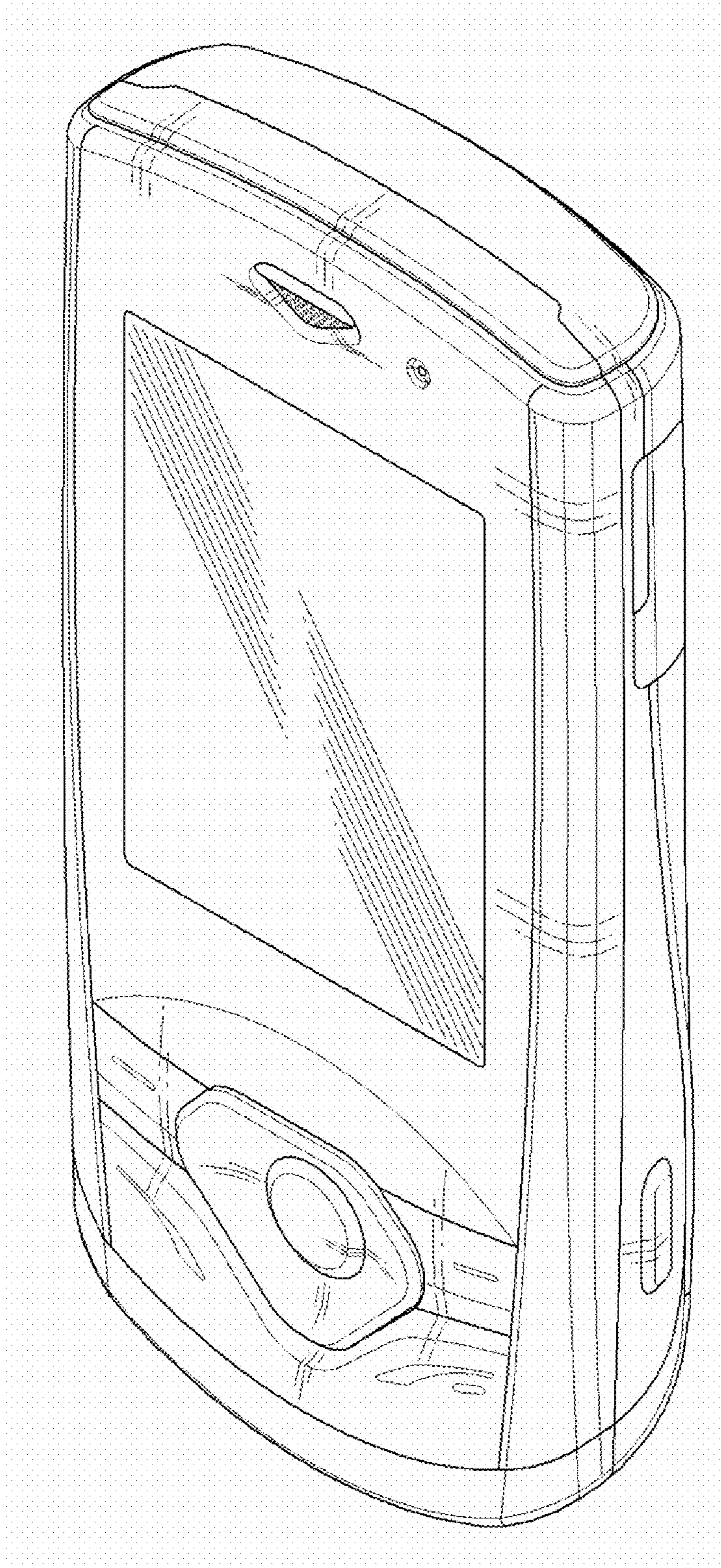


FIG. 2

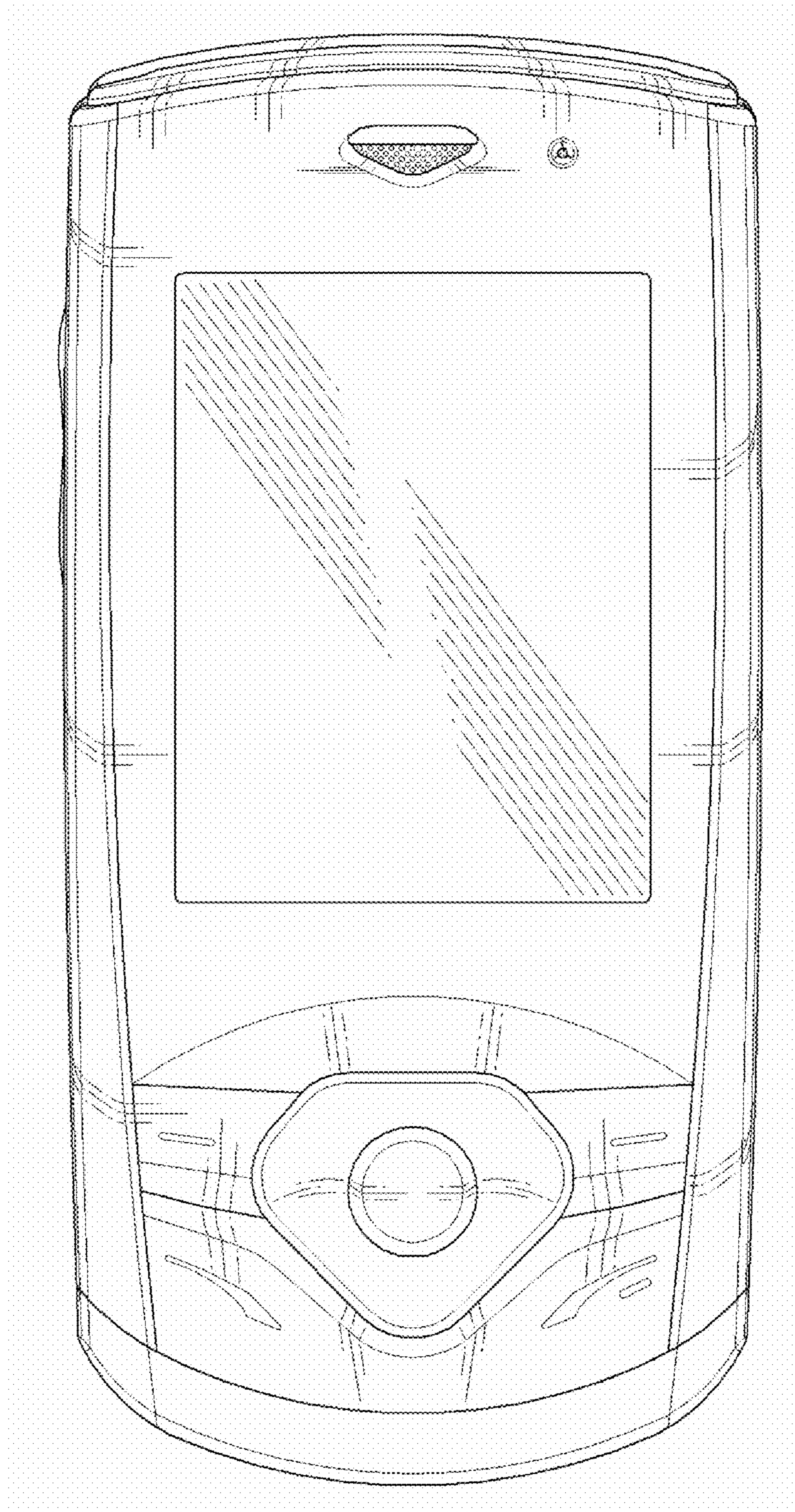


FIG. 3

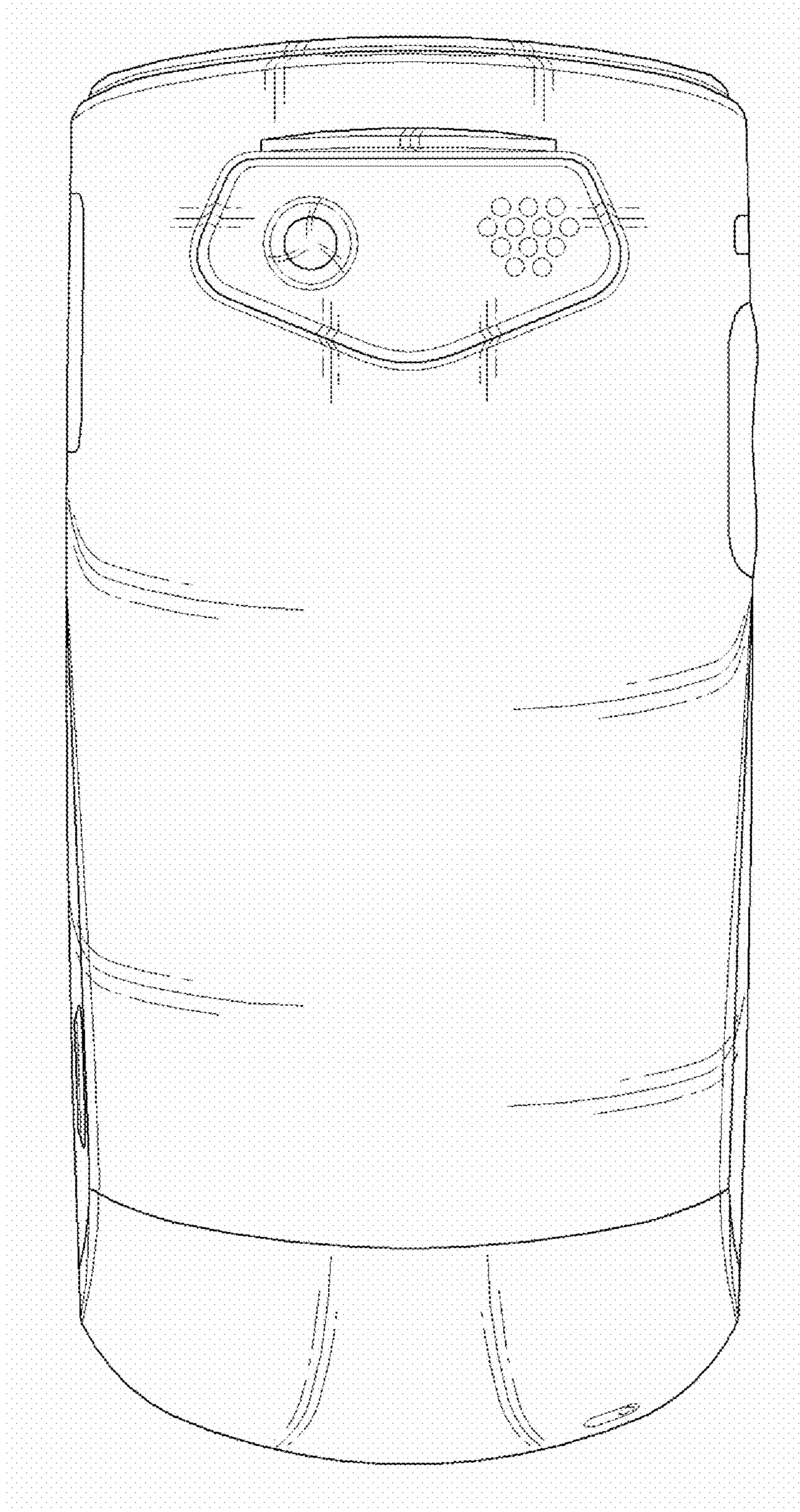


FIG. 4

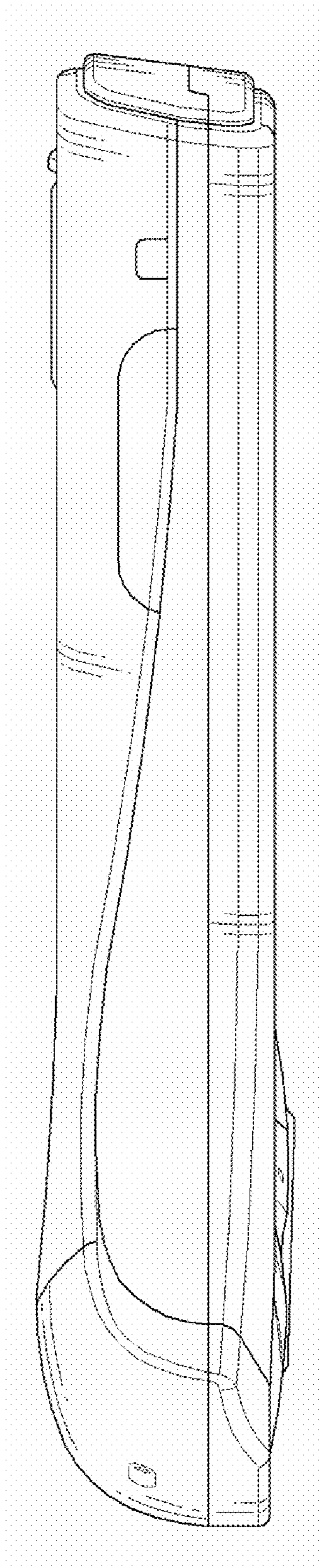


FIG. 5

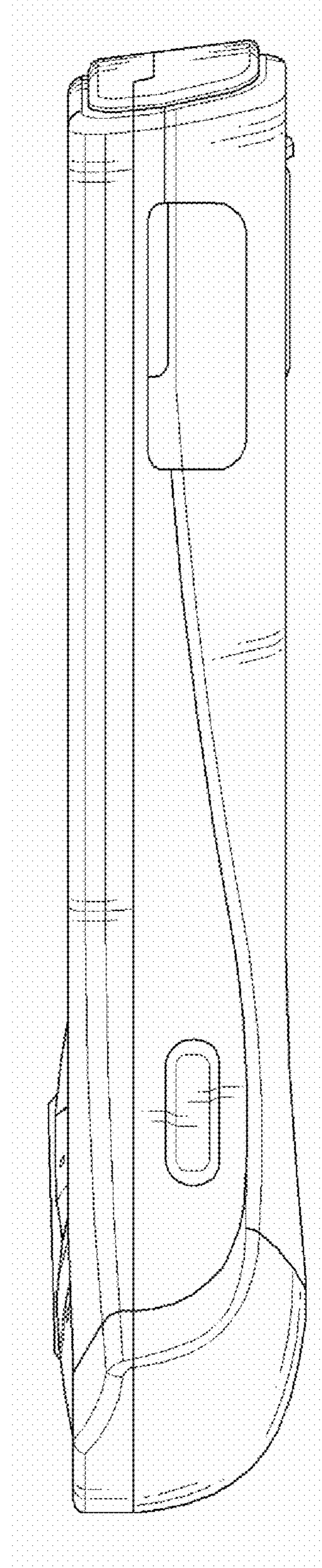


FIG. 6

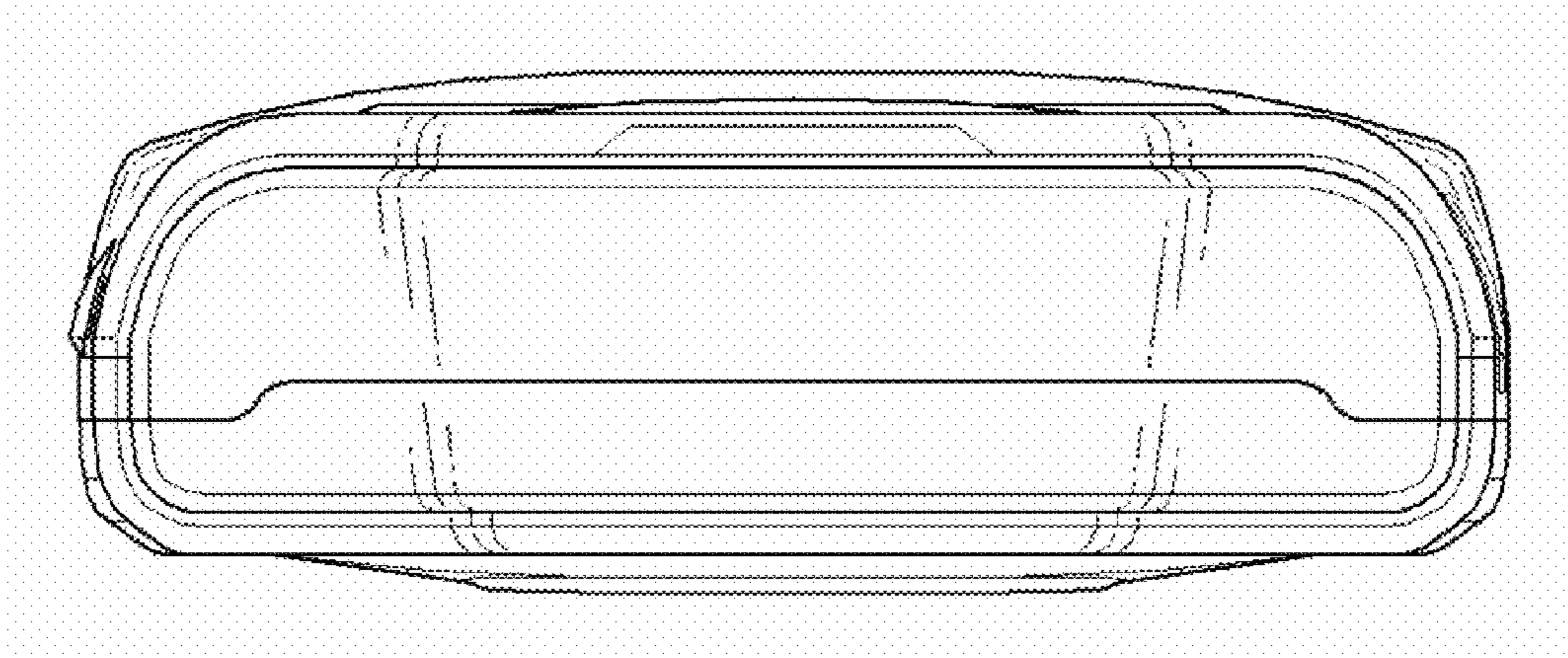


FIG. 7

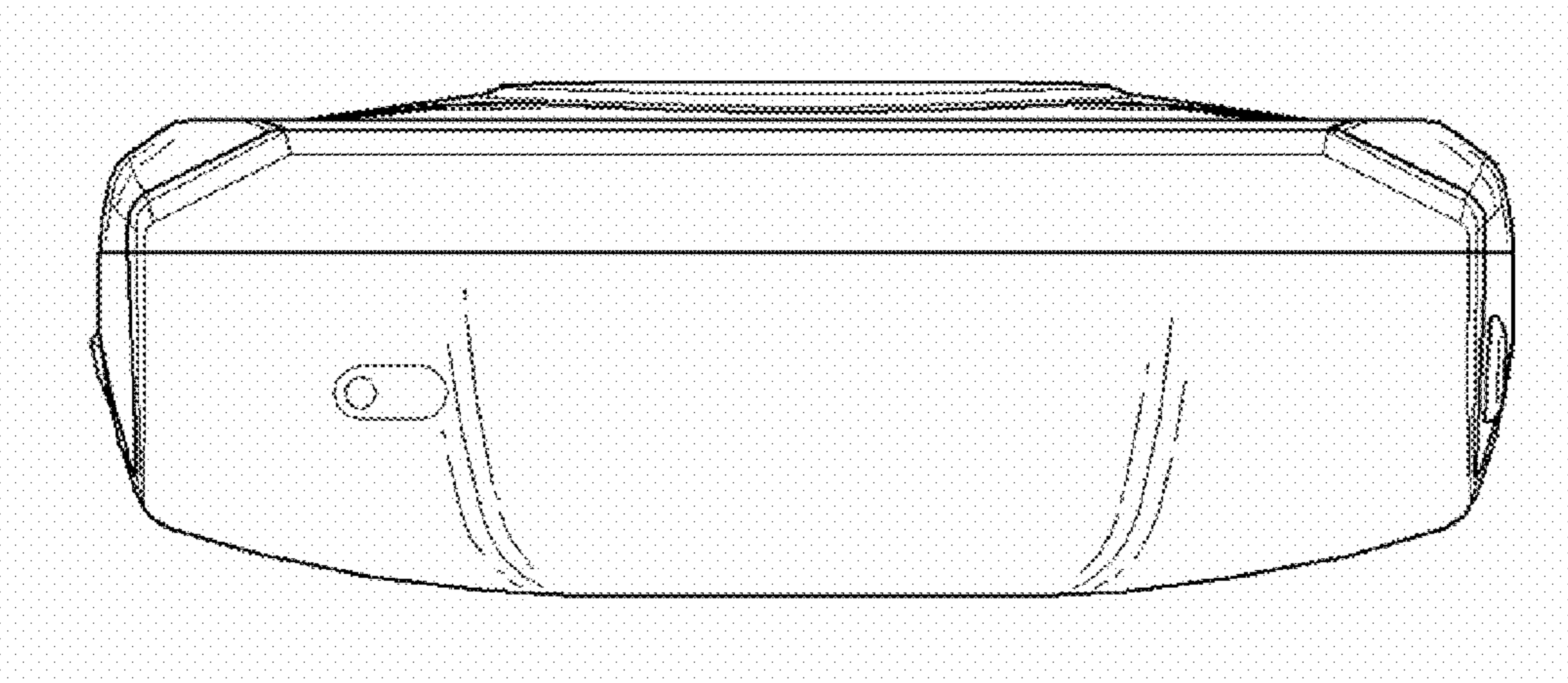


FIG. 8

