



US00D620912S

(12) **United States Design Patent**  
**Kim et al.**

(10) **Patent No.:** **US D620,912 S**

(45) **Date of Patent:** **\*\* Aug. 3, 2010**

(54) **MOBILE PHONE**

(75) Inventors: **Jin-Soo Kim**, Yongin-si (KR);  
**Min-Hyouk Lee**, Seoul (KR);  
**Seog-Guen Kim**, Seoul (KR)

(73) Assignee: **Samsung Electronics Co., Ltd.** (KR)

(\*\*) Term: **14 Years**

(21) Appl. No.: **29/345,475**

(22) Filed: **Oct. 16, 2009**

(30) **Foreign Application Priority Data**

Sep. 11, 2009 (KR) ..... 30-2009-0040345

(51) **LOC (9) Cl.** ..... **14-03**

(52) **U.S. Cl.** ..... **D14/138 AD**

(58) **Field of Classification Search** ..... D14/138 R,  
D14/138 AD, 138 AC, 138 C, 138 G, 191,  
D14/203.1–203.8, 496, 138 AA, 138 AB,  
D14/247–248, 137, 147, 218, 341–347; D10/65,  
D10/78, 104; D13/168; D18/7; 455/566,  
455/575.1, 575.3

See application file for complete search history.

(56) **References Cited**

**U.S. PATENT DOCUMENTS**

D457,883 S \* 5/2002 Sugioka et al. .... D14/342  
D479,215 S \* 9/2003 Yokoyama ..... D14/138 AD  
D481,692 S \* 11/2003 Husgafvel ..... D14/138 AD  
D495,324 S \* 8/2004 Husgafvel ..... D14/248  
D519,998 S \* 5/2006 Park ..... D14/346  
7,069,003 B2 \* 6/2006 Lehtikoinen et al. .... 455/414.2

D527,369 S \* 8/2006 Chung et al. .... D14/138 AD  
D531,609 S \* 11/2006 Kim et al. .... D14/138 AB  
D553,596 S \* 10/2007 Kim et al. .... D14/138 AD  
D555,138 S \* 11/2007 Park et al. .... D14/138 AD  
D555,139 S \* 11/2007 Kim et al. .... D14/138 AD  
D560,190 S \* 1/2008 Lee et al. .... D14/138 AD  
D560,191 S \* 1/2008 Choi et al. .... D14/138 AD

(Continued)

**OTHER PUBLICATIONS**

Gigabyte g-Smart, announced 2005, [online], [retrieved on Feb. 20, 2007]. Retrieved from Internet ,<URL: <http://www.gsmarena.com>>.\*

(Continued)

*Primary Examiner*—Jeffrey D Asch  
*Assistant Examiner*—Bridget L Eland  
(74) *Attorney, Agent, or Firm*—NSIP Law

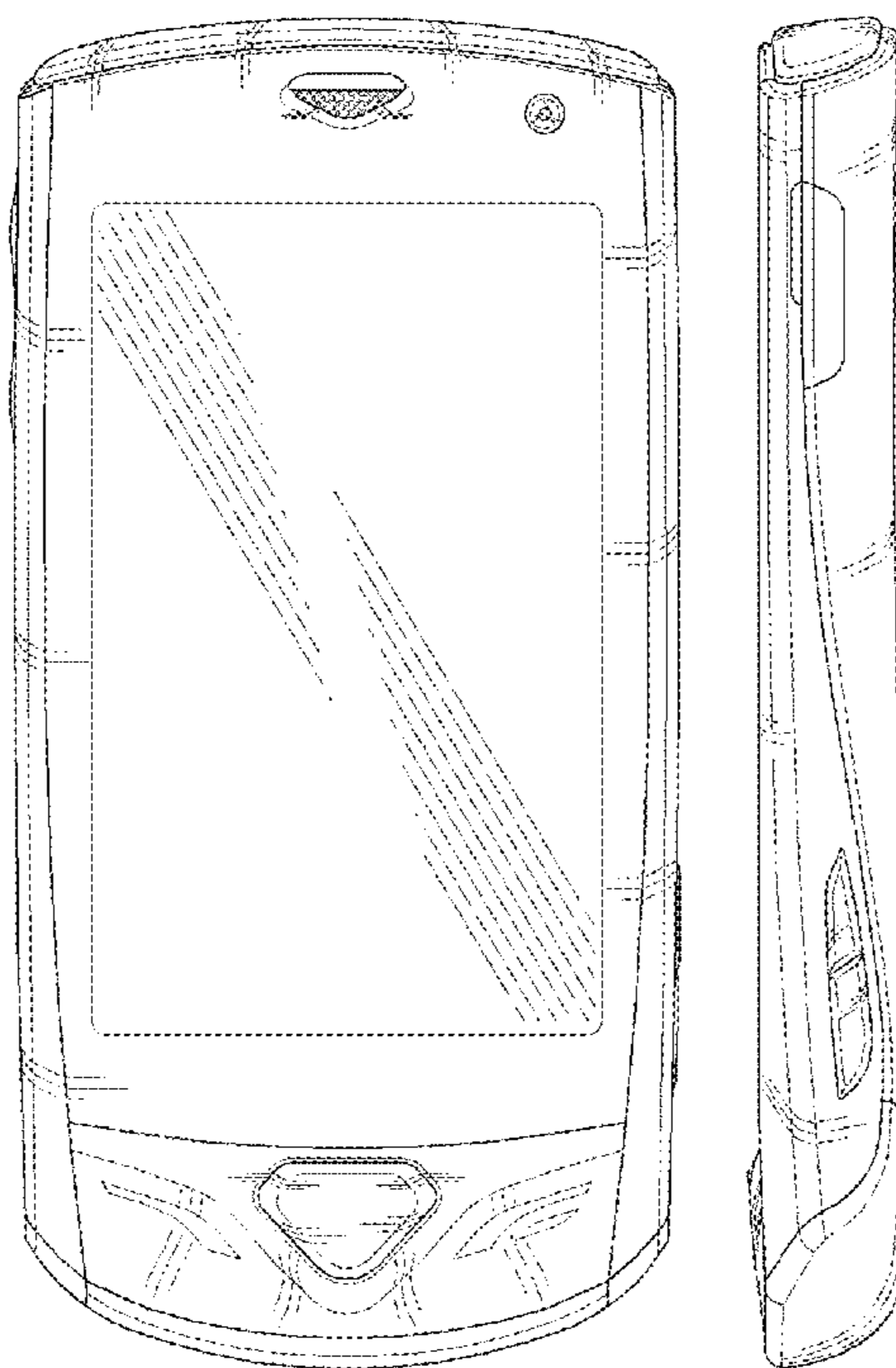
(57) **CLAIM**

The ornamental design for a mobile phone, as shown and described.

**DESCRIPTION**

FIG. 1 is a perspective view of a mobile phone;  
FIG. 2 is a front view of the mobile phone of FIG. 1;  
FIG. 3 is a rear view of the mobile phone of FIG. 1;  
FIG. 4 is a left-side view of the mobile phone of FIG. 1;  
FIG. 5 is a right-side view of the mobile phone of FIG. 1;  
FIG. 6 is a top plan view of the mobile phone of FIG. 1; and,  
FIG. 7 is a bottom plan view of the mobile phone of FIG. 1.

**1 Claim, 5 Drawing Sheets**



# US D620,912 S

Page 2

## U.S. PATENT DOCUMENTS

D561,512 S \* 2/2008 Park et al. .... D14/138 AD  
D563,370 S \* 3/2008 Choi et al. .... D14/138 AD  
D576,596 S \* 9/2008 Moon et al. .... D14/138 AD  
D579,903 S \* 11/2008 Kim et al. .... D14/138 AD  
D590,802 S \* 4/2009 Shin et al. .... D14/138 AD  
D592,631 S \* 5/2009 Kim et al. .... D14/138 AD  
D605,156 S \* 12/2009 Kim et al. .... D14/138 AB  
D605,621 S \* 12/2009 Kim et al. .... D14/138 AD  
2005/0113154 A1\* 5/2005 Park et al. .... 455/575.4  
2006/0178176 A1\* 8/2006 Kwak et al. .... 455/575.4  
2007/0021160 A1\* 1/2007 Li ..... 455/575.4  
2008/0096611 A1\* 4/2008 Lee ..... 455/566

2010/0022277 A1\* 1/2010 An et al. .... 455/566

## OTHER PUBLICATIONS

Samsung E390, announced Oct. 2006, [online], [retrieved on Feb. 8, 2007]. Retrieved from Internet ,<URL: <http://www.gsmarena.com>>.\*

Samsung S5600v Blade, announced Jun. 2009, [online], [retrieved on Jul. 13, 2009]. Retrieved from Internet ,<URL: <http://www.gsmarena.com>>.\*

Samsung S3550 Shark 3, announced Jan. 2010, [online], [retrieved on Jan. 19, 2010]. Retrieved from Internet ,<URL: <http://www.gsmarena.com>>.\*

Samsung S5550 Shark 2, announced Jan. 2010, [online], [retrieved on Jan. 19, 2010]. Retrieved from Internet ,<URL: <http://www.gsmarena.com>>.\*

\* cited by examiner

FIG. 1

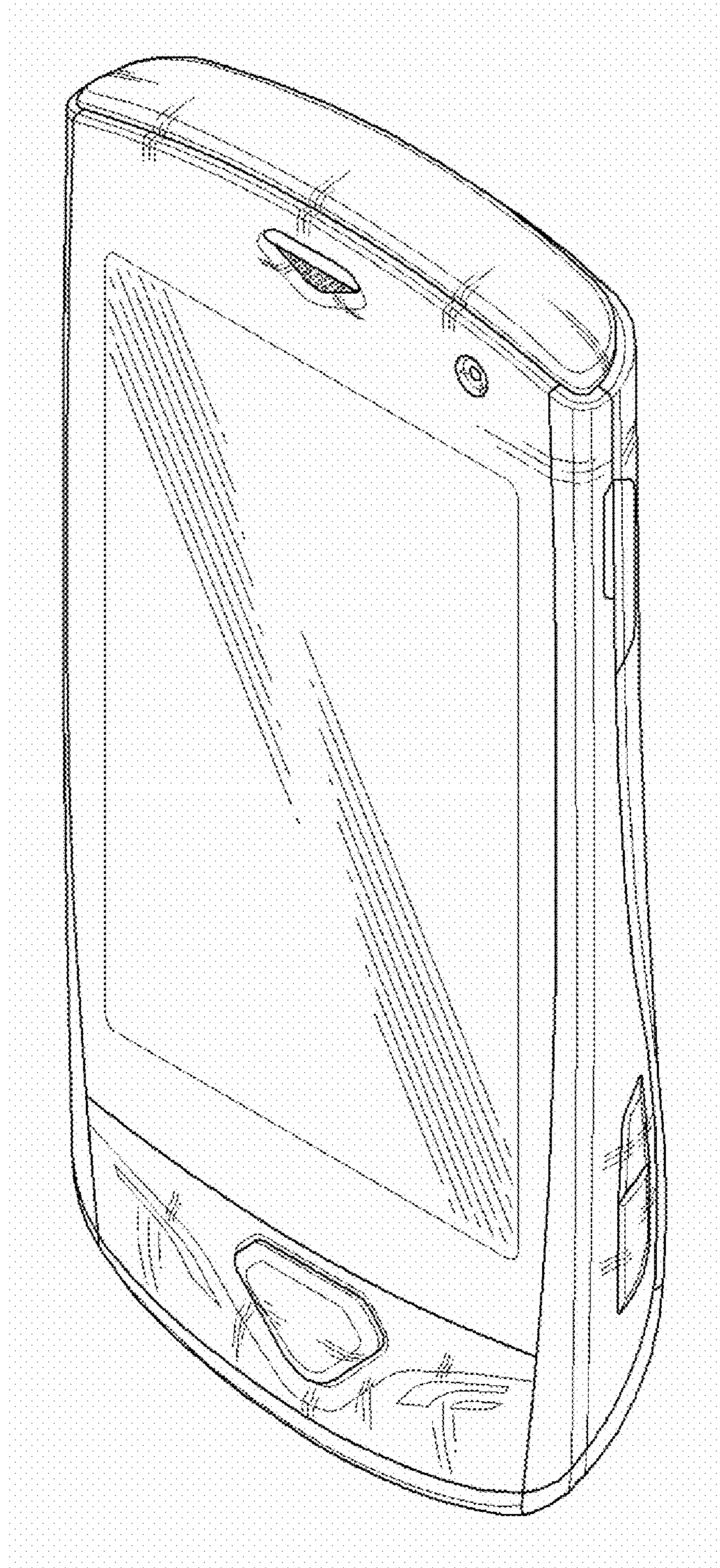


FIG. 2

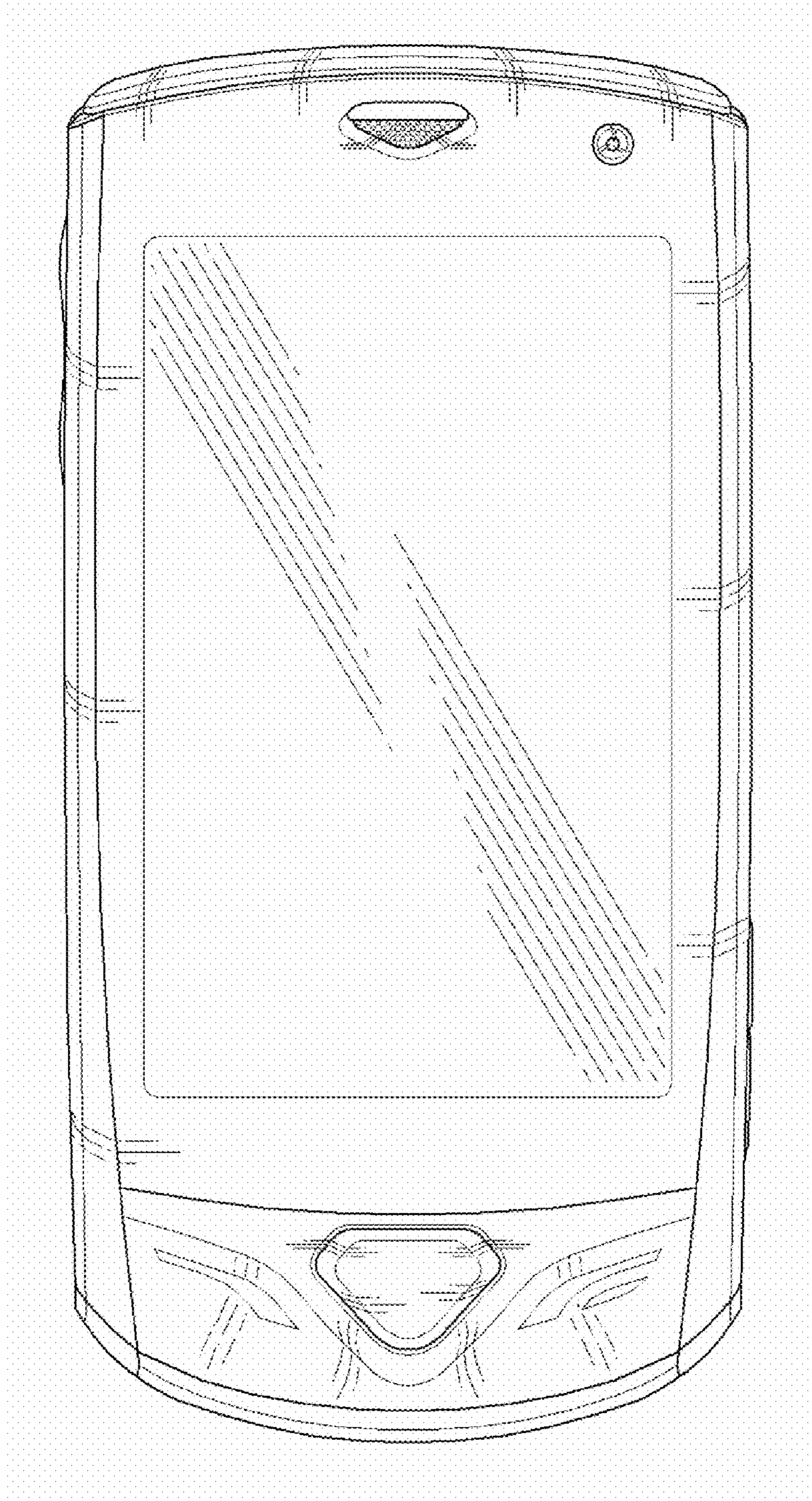
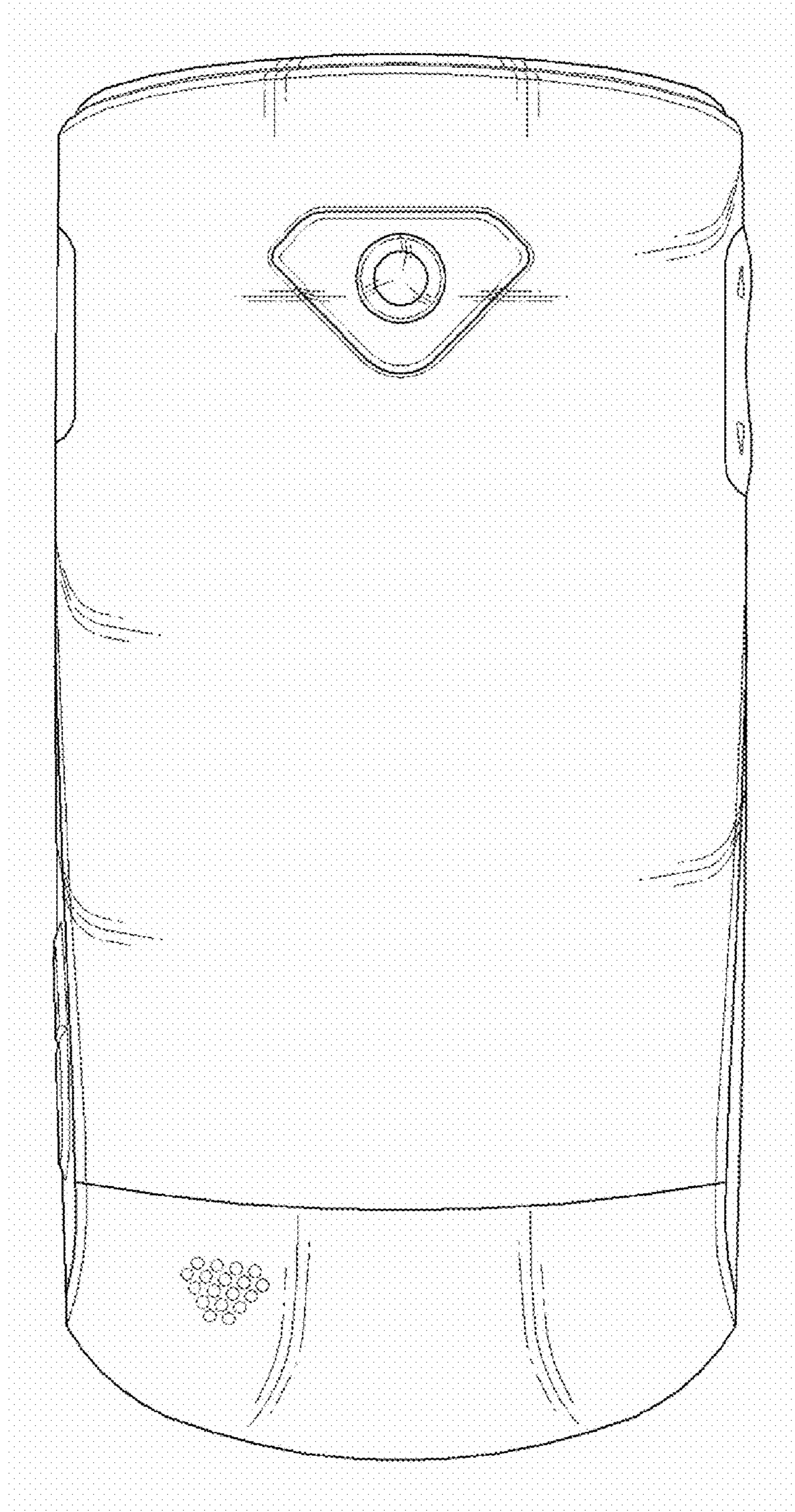
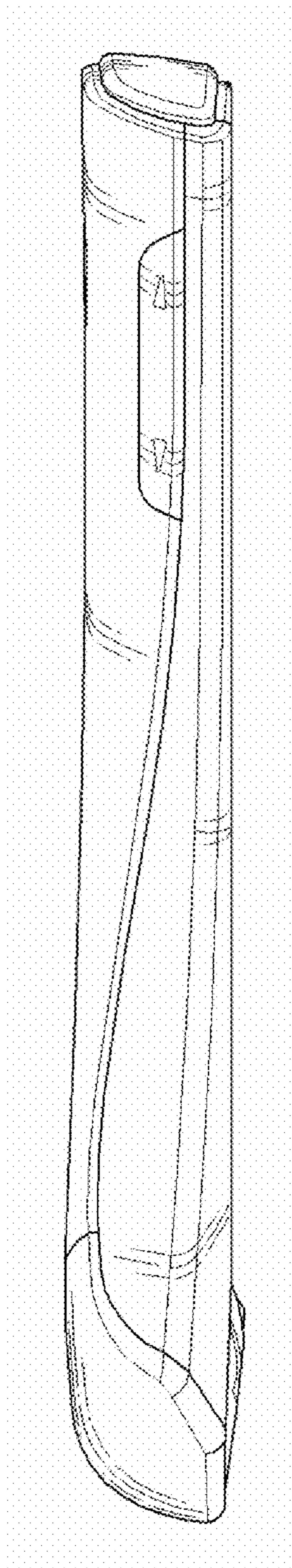


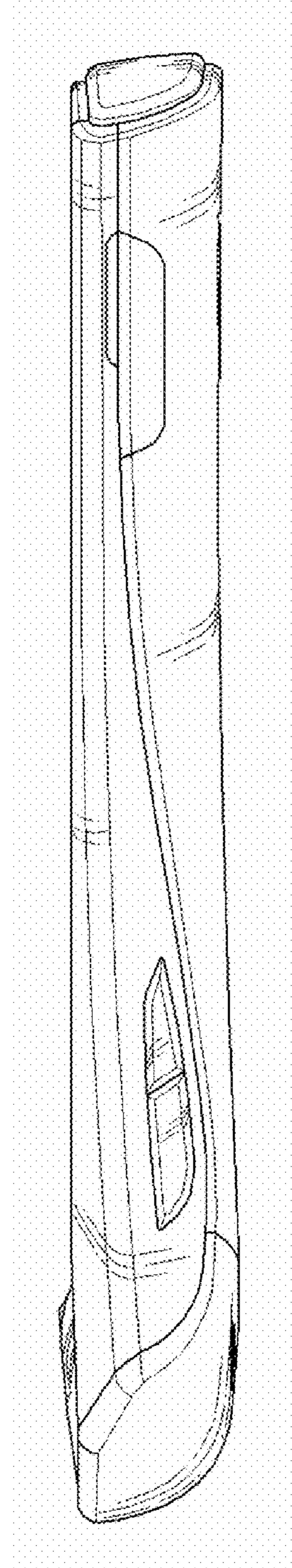
FIG. 3



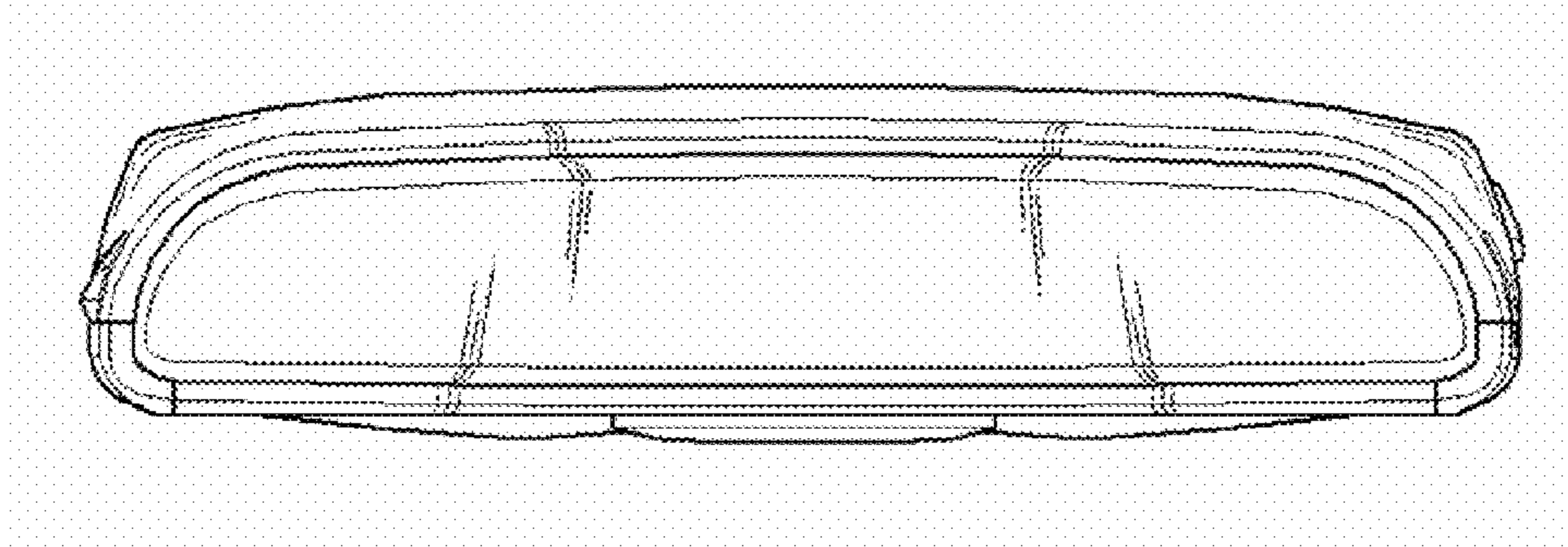
**FIG. 4**



**FIG. 5**



**FIG. 6**



**FIG. 7**

