



US00D620910S

(12) **United States Design Patent**
Han et al.

(10) **Patent No.:** **US D620,910 S**

(45) **Date of Patent:** **** Aug. 3, 2010**

(54) **MOBILE PHONE**

(75) Inventors: **Woo-Seung Han**, Seoul (KR);
Young-Keun Lee, Seoul (KR);
Chang-Hwan Hwang, Goyang-si (KR)

(73) Assignee: **Samsung Electronics Co., Ltd.**,
Suwon-Si (KR)

(**) Term: **14 Years**

(21) Appl. No.: **29/343,019**

(22) Filed: **Sep. 4, 2009**

(30) **Foreign Application Priority Data**

Jun. 4, 2009 (KR) 30-2009-0024738

(51) **LOC (9) Cl.** **14-03**

(52) **U.S. Cl.** **D14/138 AD**

(58) **Field of Classification Search** D14/138 R,
D14/138 AD, 138 AC, 138 C, 138 G, 191,
D14/203.1–203.8, 496, 138 AA, 138 AB,
D14/247–248, 137, 147, 218, 341–347; D10/65,
D10/78, 104; D13/168; D18/7; 455/566,
455/575.1, 575.3

See application file for complete search history.

(56) **References Cited**

U.S. PATENT DOCUMENTS

D466,096 S * 11/2002 Takada D14/138 AD
D496,644 S * 9/2004 Yoo et al. D14/138 AD
D503,699 S * 4/2005 Lee et al. D14/138 AD
D508,473 S * 8/2005 Lee et al. D14/138 AD
D509,202 S * 9/2005 Lee et al. D14/138 AD
D511,342 S * 11/2005 Chien D14/346
D530,295 S * 10/2006 Chung et al. D14/138 AD
D541,249 S * 4/2007 Hirano D14/138 AC
D549,205 S * 8/2007 Cho D14/138 AD

D551,201 S * 9/2007 Kim et al. D14/138 AD
D558,619 S * 1/2008 Bloem D10/65
D561,204 S * 2/2008 Toh D14/496
D584,274 S * 1/2009 Kim et al. D14/138 AD

(Continued)

OTHER PUBLICATIONS

LG KC780, announced Oct. 2008, [online], [retrieved on Nov. 8, 2008]. Retrieved from Internet ,<URL: <http://www.gsmarena.com>>.*

(Continued)

Primary Examiner—Jeffrey D Asch
Assistant Examiner—Bridget L Eland
(74) *Attorney, Agent, or Firm*—Staas & Halsey LLP

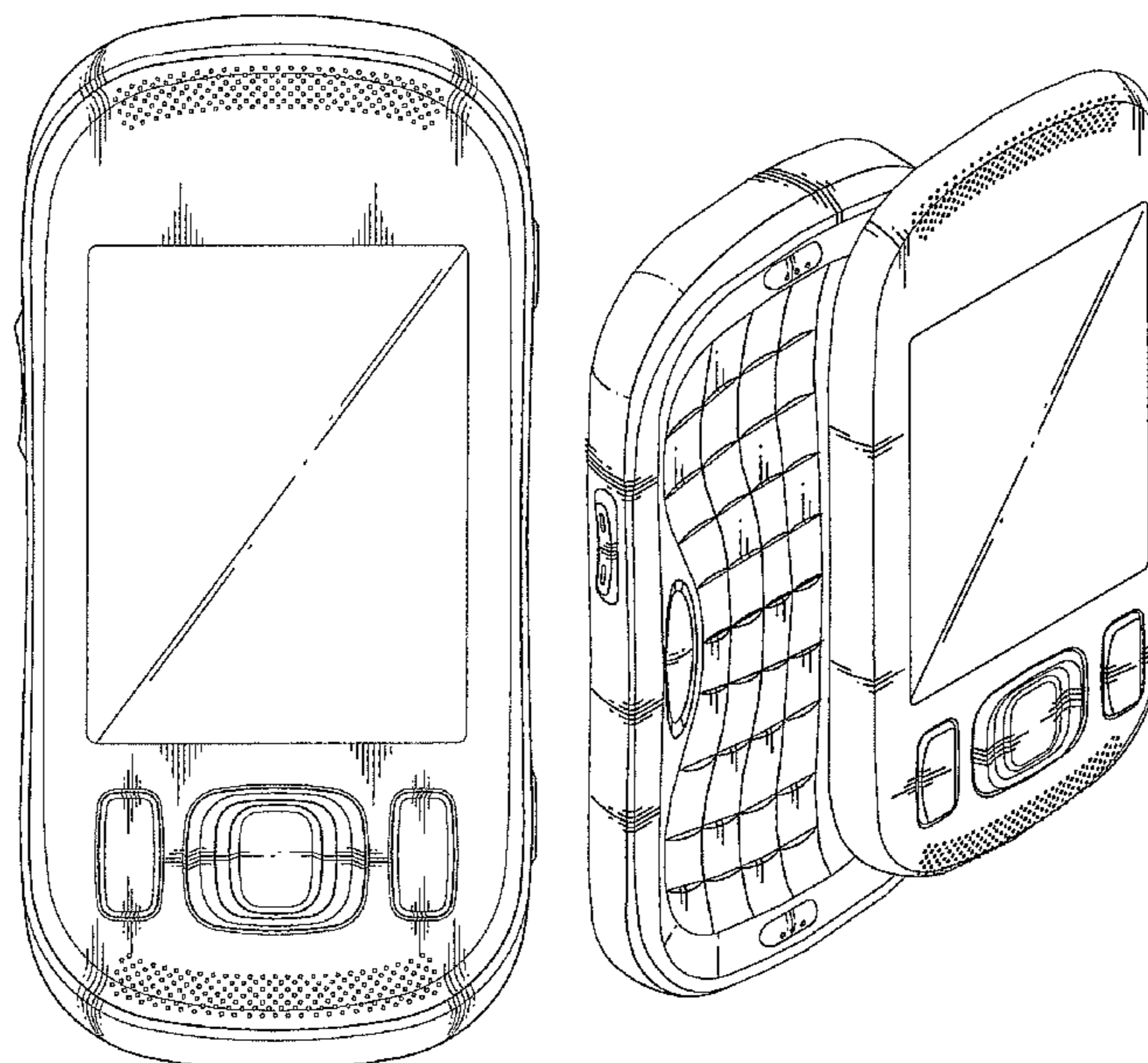
(57) **CLAIM**

The ornamental design for a mobile phone, as shown and described.

DESCRIPTION

FIG. 1 is a front perspective view of a mobile phone;
FIG. 2 is a front view of the mobile phone of FIG. 1;
FIG. 3 is a rear view of the mobile phone of FIG. 1;
FIG. 4 is a left-side view of the mobile phone of FIG. 1;
FIG. 5 is a right-side view of the mobile phone of FIG. 1;
FIG. 6 is a top plan view of the mobile phone of FIG. 1;
FIG. 7 is a bottom plan view of the mobile phone of FIG. 1;
FIG. 8 is a front perspective open view of the mobile phone of FIG. 1; and,
FIG. 9 is another front perspective open view of the mobile phone of FIG. 1.

1 Claim, 6 Drawing Sheets



US D620,910 S

Page 2

U.S. PATENT DOCUMENTS

D590,799 S * 4/2009 Laine D14/138 AD
D597,518 S * 8/2009 Asmussen D14/138 AD
D601,109 S * 9/2009 Lee et al. D14/138 AD
D601,990 S * 10/2009 Kim et al. D14/138 AD
D601,993 S * 10/2009 Yun et al. D14/138 AD
D602,461 S * 10/2009 Kim et al. D14/138 AD
D602,895 S * 10/2009 Chun D14/138 AD
D603,821 S * 11/2009 Hansen D14/138 AD
D607,428 S * 1/2010 Kim et al. D14/138 AD
D609,210 S * 2/2010 Sohn et al. D14/138 AD
2005/0190291 A1* 9/2005 Kota et al. 348/376

2006/0205438 A1* 9/2006 Jung 455/566
2006/0205450 A1* 9/2006 Amano et al. 455/575.4

OTHER PUBLICATIONS

Nokia 6600 slide, announced Apr. 2008, [online], [retrieved on May 14, 2008]. Retrieved from Internet ,<URL: <http://www.gsmarena.com>>.*
Nokia 6260 slide, announced Nov. 2008, [online], [retrieved on Nov. 26, 2008]. Retrieved from Internet ,<URL: <http://www.gsmarena.com>>.*

* cited by examiner

FIG. 1

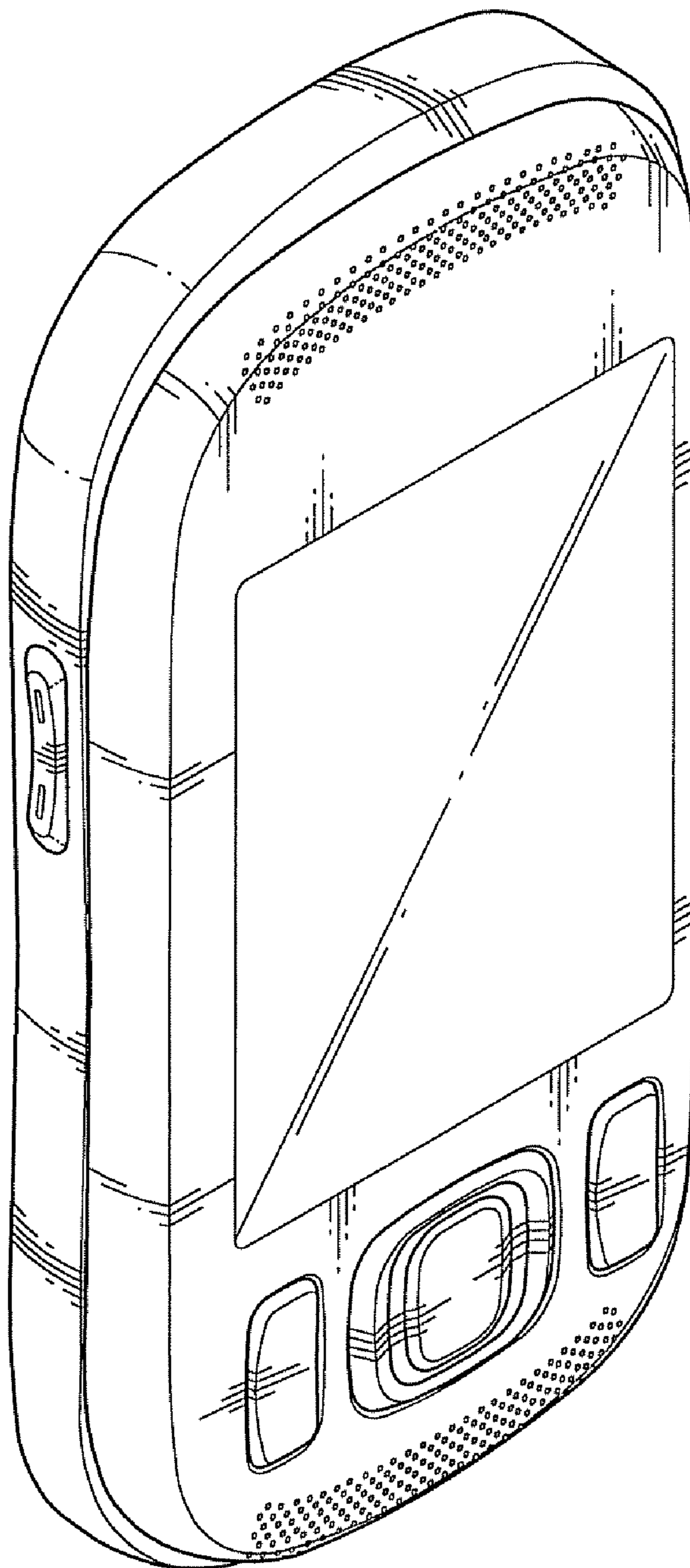


FIG. 2

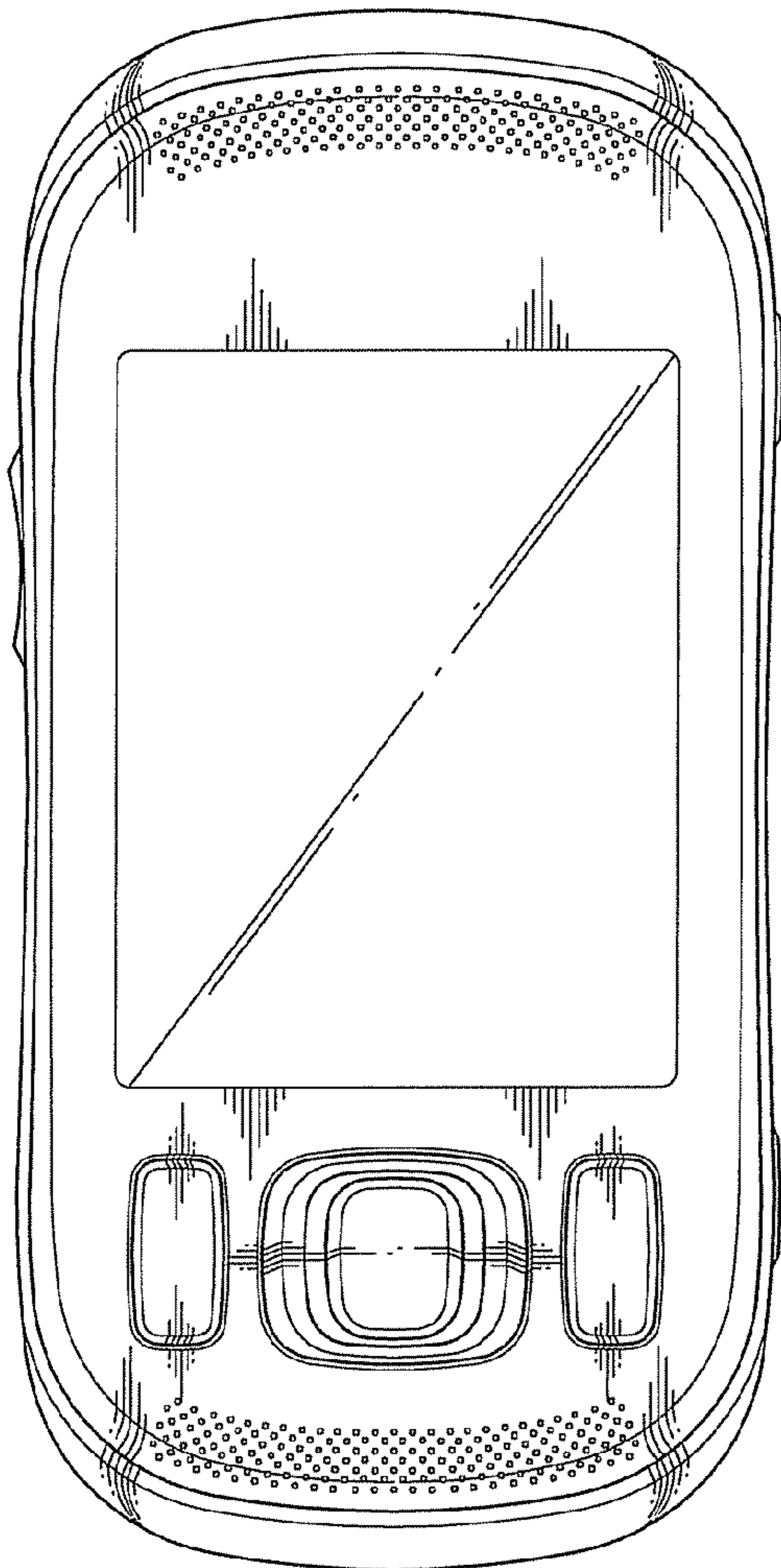


FIG. 3

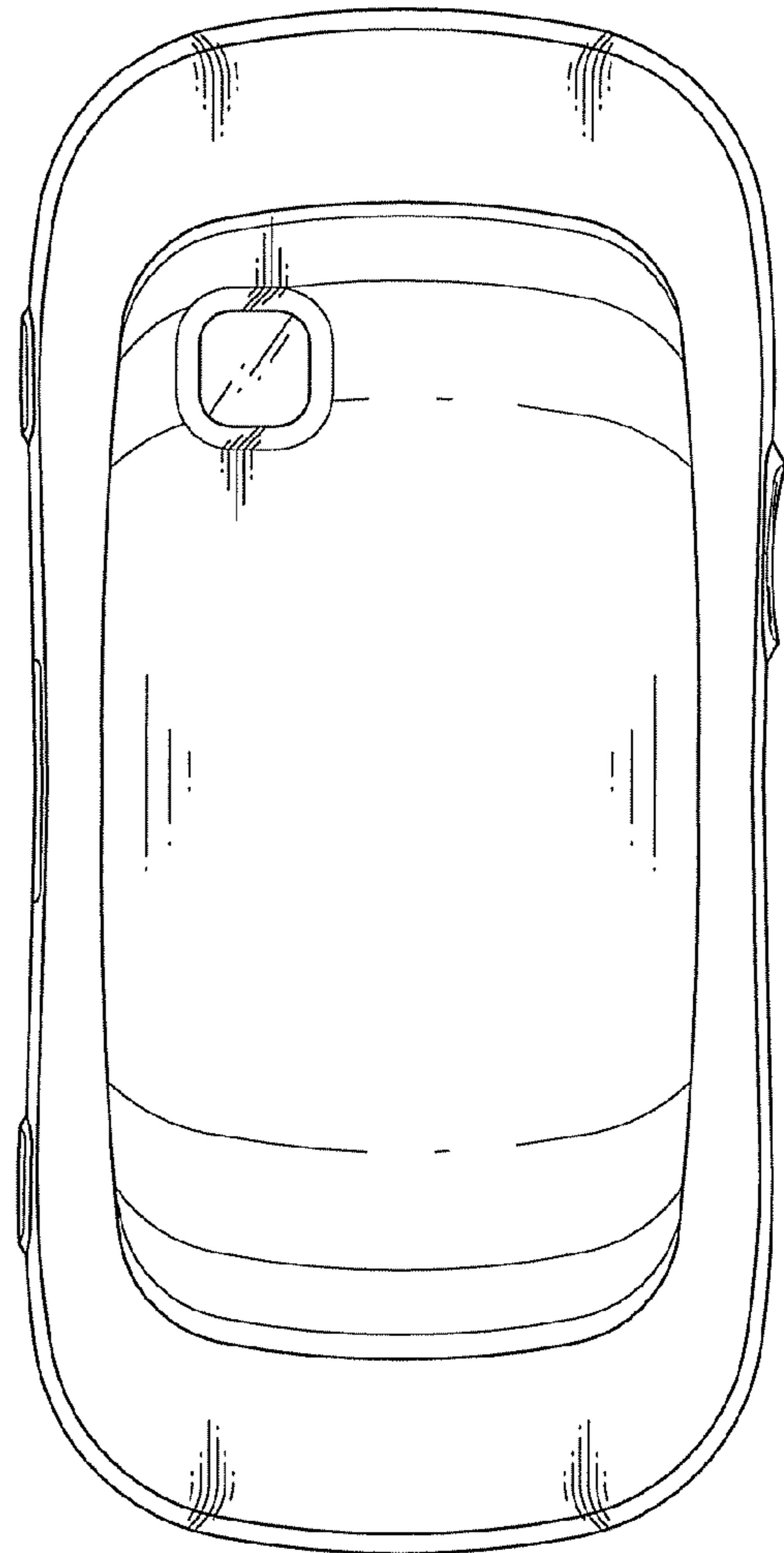


FIG. 4

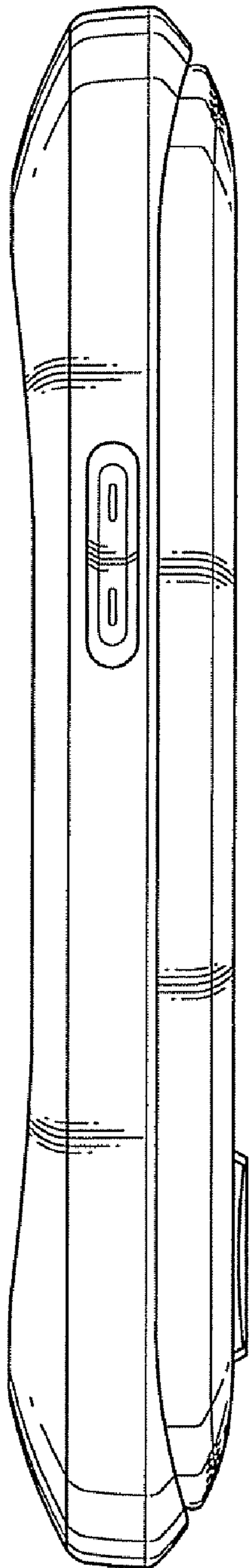


FIG. 5

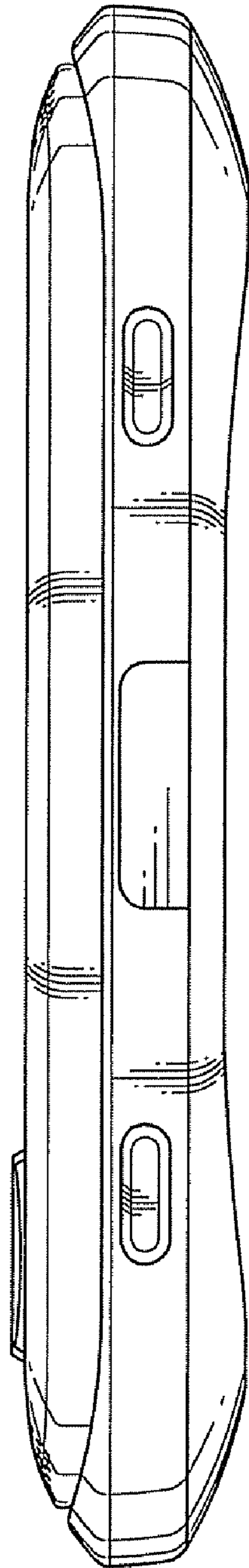


FIG. 6

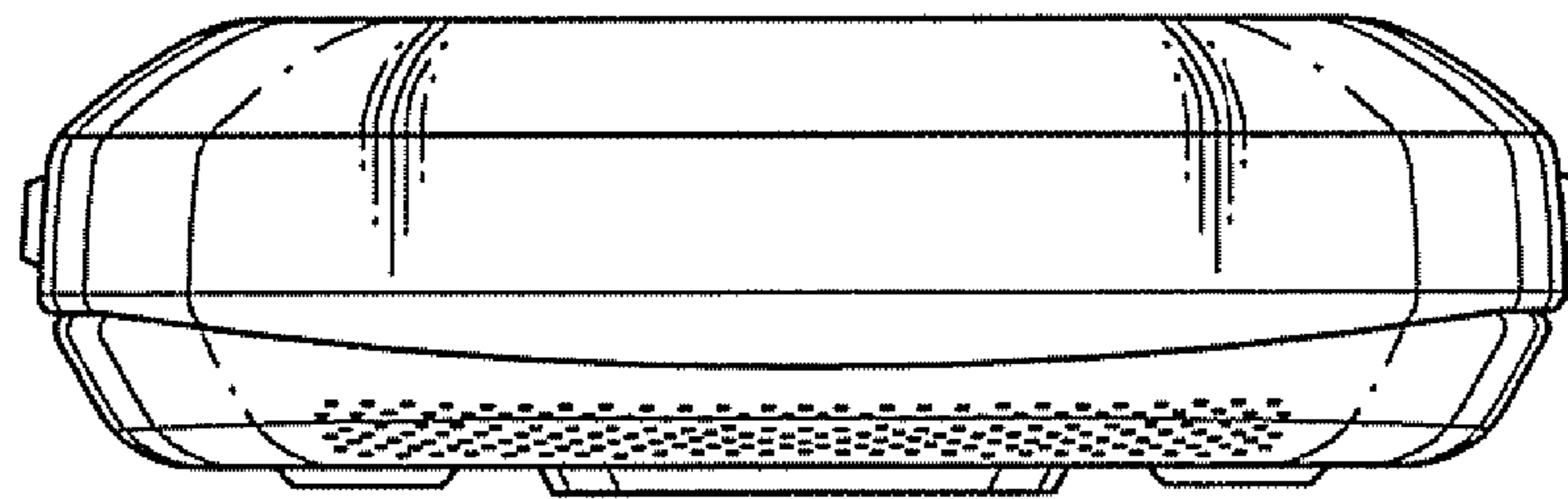


FIG. 7

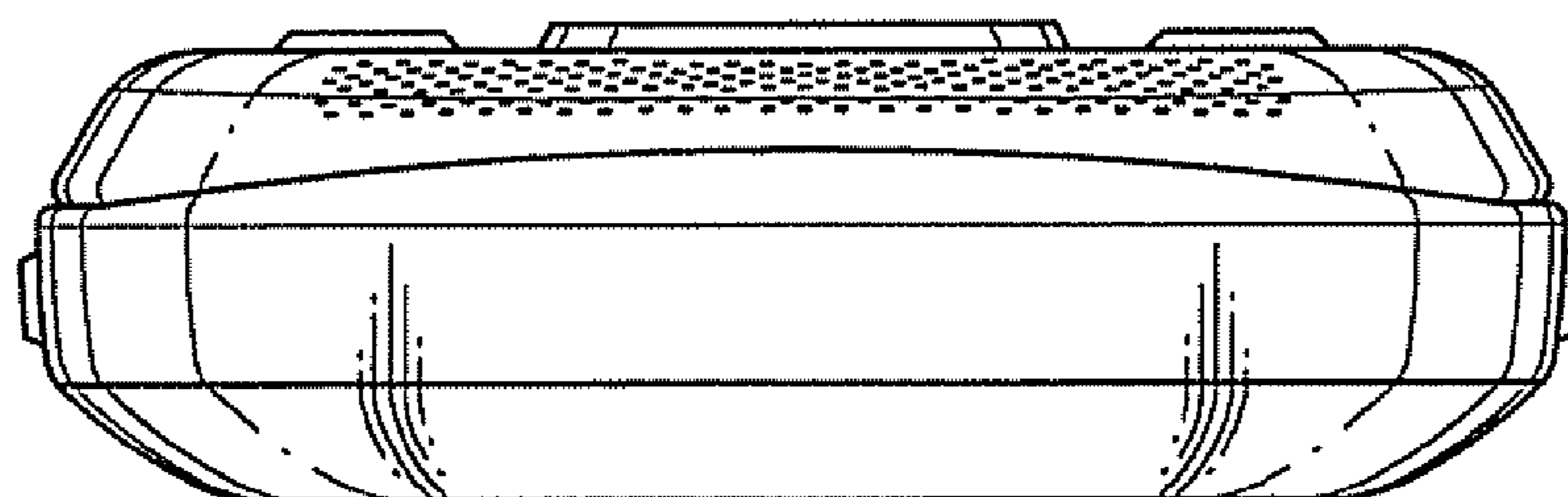


FIG. 8

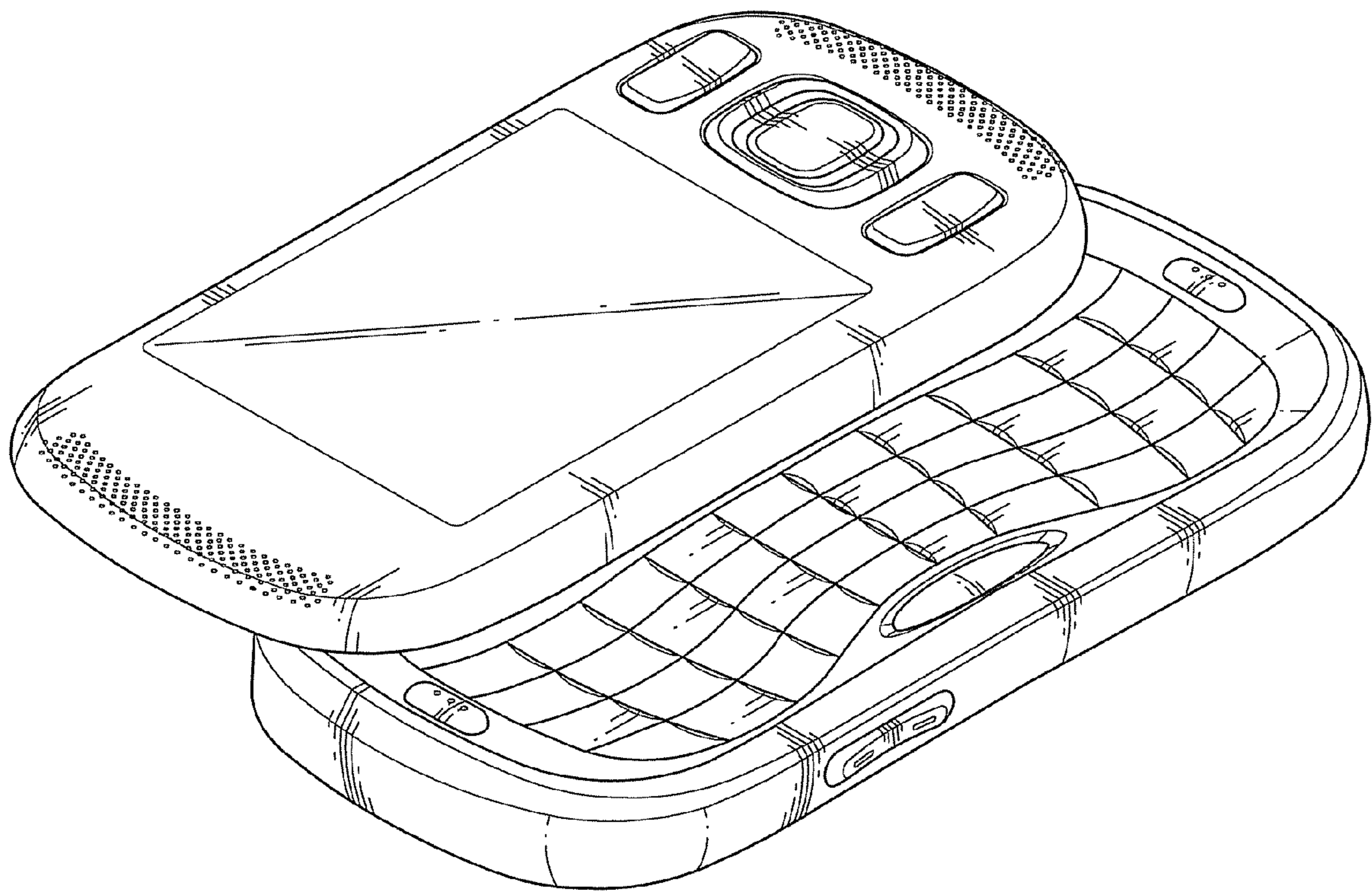


FIG. 9

