



US00D620901S

(12) **United States Design Patent**  
**Won et al.**

(10) **Patent No.:** **US D620,901 S**

(45) **Date of Patent:** **\*\* Aug. 3, 2010**

(54) **TV RECEIVER**

(75) Inventors: **Dong Hee Won**, Seoul (KR); **Yun Je Kang**, Kyungki-Do (KR)

(73) Assignee: **Samsung Electronics Co., Ltd.**, Suwon (KR)

(\*\*) Term: **14 Years**

(21) Appl. No.: **29/350,252**

(22) Filed: **Nov. 13, 2009**

(51) **LOC (9) Cl.** ..... **14-03**

(52) **U.S. Cl.** ..... **D14/126**

(58) **Field of Classification Search** ..... D14/125-134,  
D14/239, 371, 136, 374-377, 440, 450, 448,  
D14/336, 342; 312/7.2; 348/836, 838, 180,  
348/184, 325, 739; 341/12; 248/917-924,  
248/465; 345/104, 133, 156, 168, 87, 173;  
720/605, 669, 600, 655; 369/99, 197; D21/329,  
D21/515, 577, 622, 333, 433, 448, 452, 450,  
D21/331; D6/477, 479, 300; 273/148 B;  
446/484, 175, 356; D10/15, 26

See application file for complete search history.

(56) **References Cited**

**U.S. PATENT DOCUMENTS**

D478,080 S \* 8/2003 Wu ..... D14/374

D504,876 S \* 5/2005 Zheng ..... D14/126  
D529,911 S \* 10/2006 Yamashiro et al. .... D14/375  
D558,696 S \* 1/2008 Park et al. .... D14/126  
D584,255 S \* 1/2009 Kita ..... D14/126  
D605,148 S \* 12/2009 Boo et al. .... D14/126  
D605,150 S \* 12/2009 Kim ..... D14/126

\* cited by examiner

*Primary Examiner*—Raphael Barkai

(74) *Attorney, Agent, or Firm*—Ladas and Parry LLP

(57) **CLAIM**

We claim the ornamental design for TV receiver, as shown.

**DESCRIPTION**

FIG. 1 is a front/right-side/top perspective view of a TV receiver showing our new design;

FIG. 2 is a front-side elevational view thereof;

FIG. 3 is a rear-side elevational view thereof;

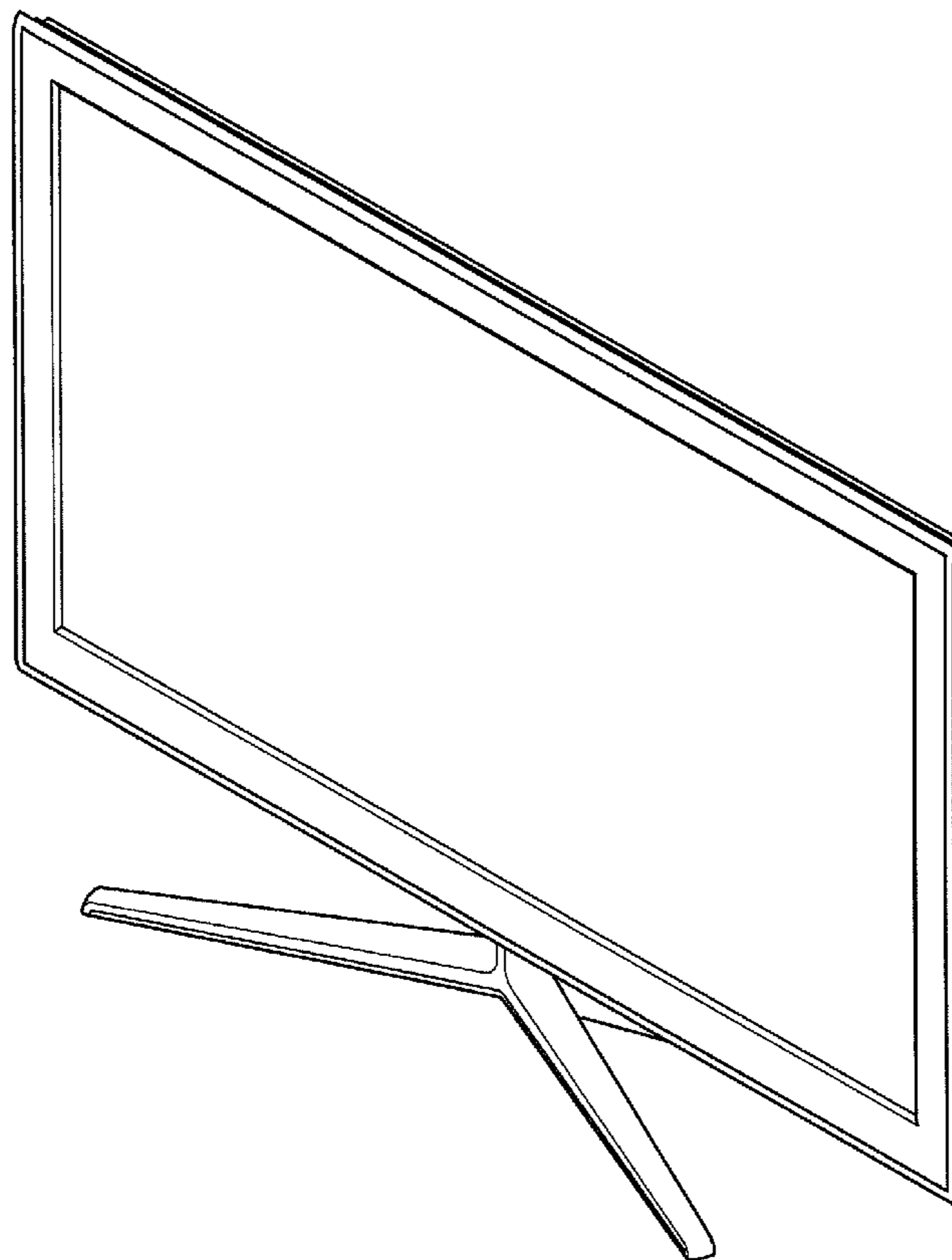
FIG. 4 is a left-side elevational view thereof;

FIG. 5 is a right-side elevational view thereof;

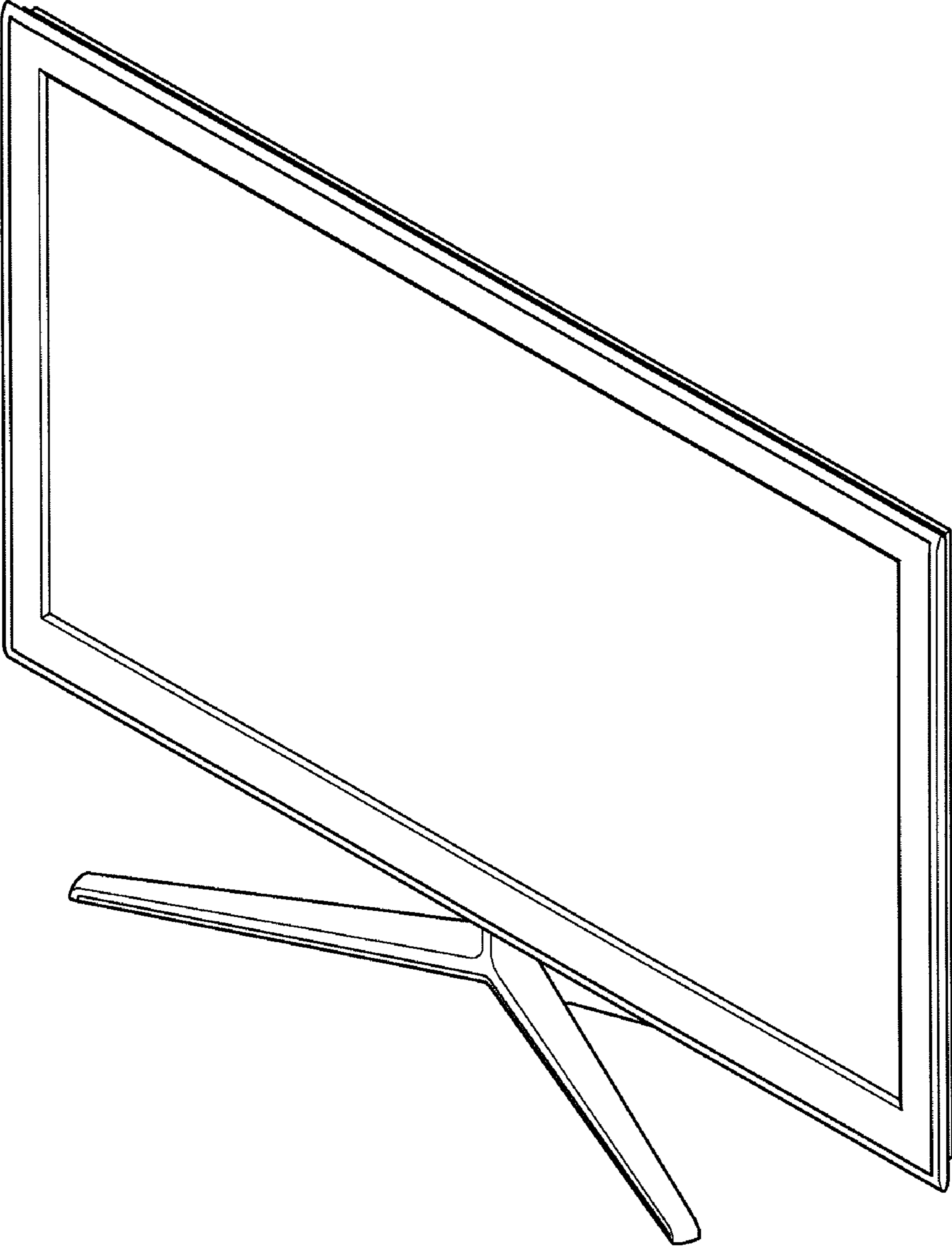
FIG. 6 is a top-side elevational view thereof; and,

FIG. 7 is a bottom-side elevational view thereof.

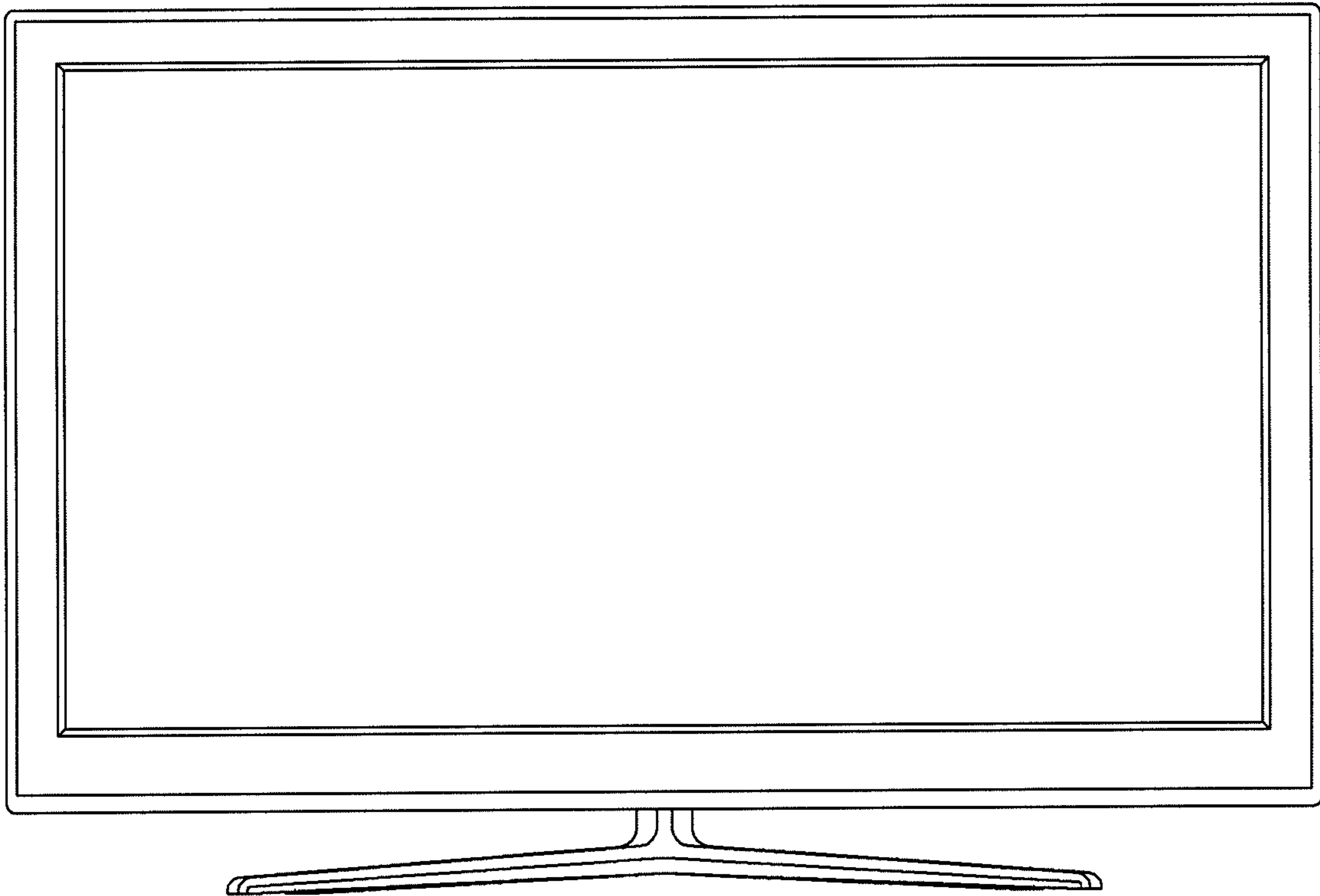
**1 Claim, 6 Drawing Sheets**



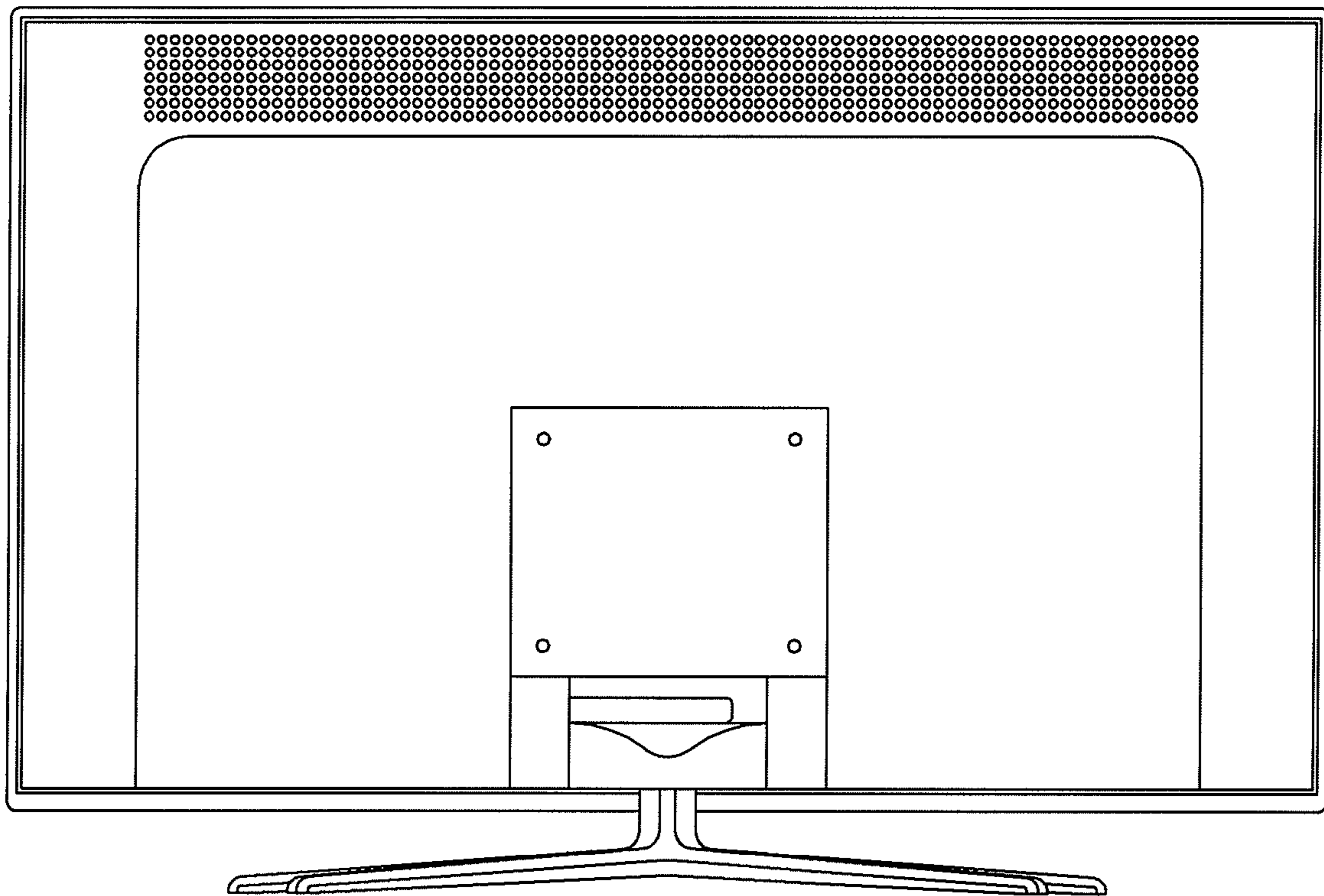
**FIG. 1**



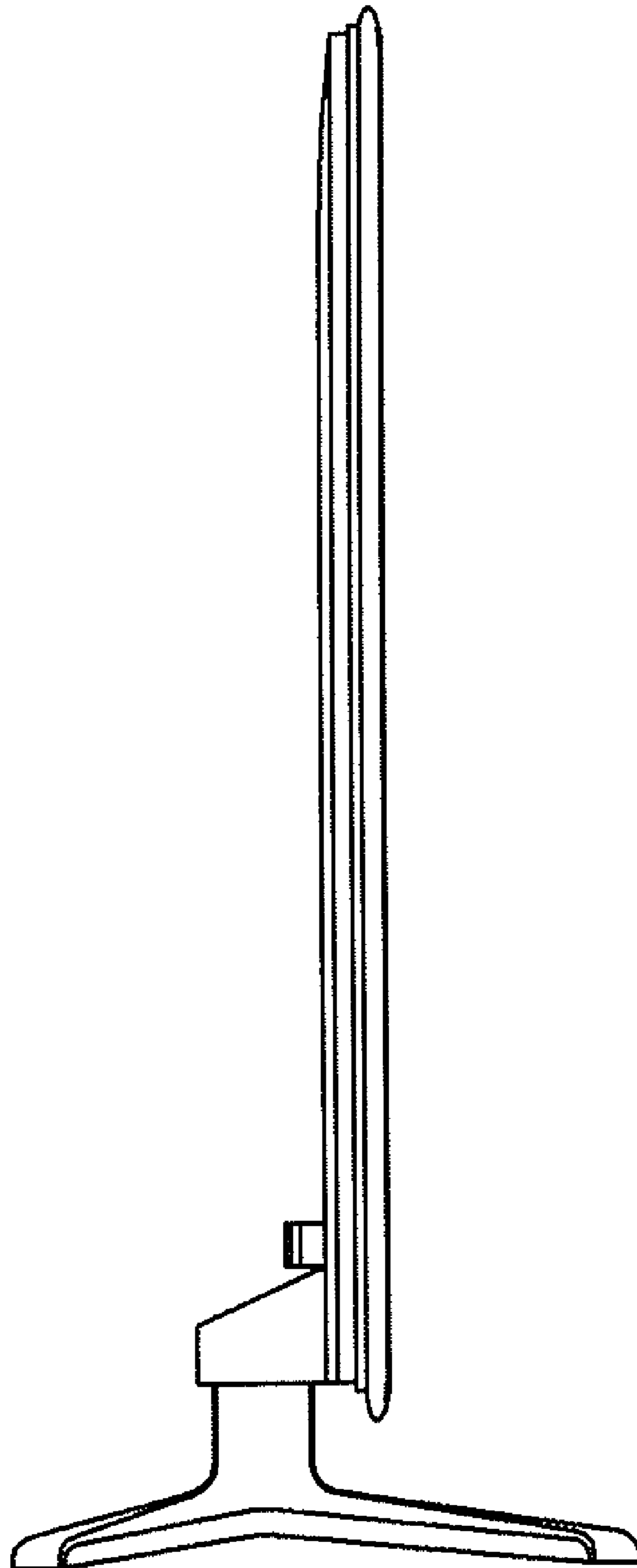
**FIG. 2**



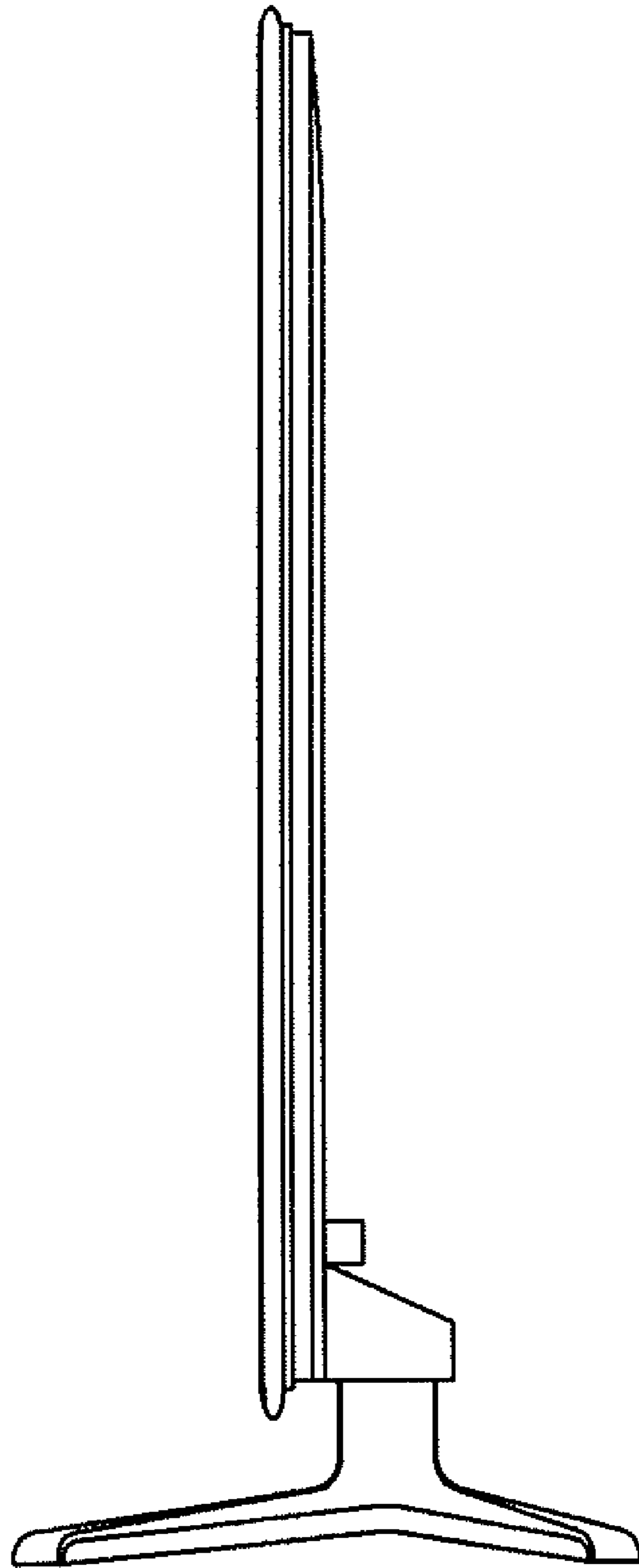
**FIG. 3**



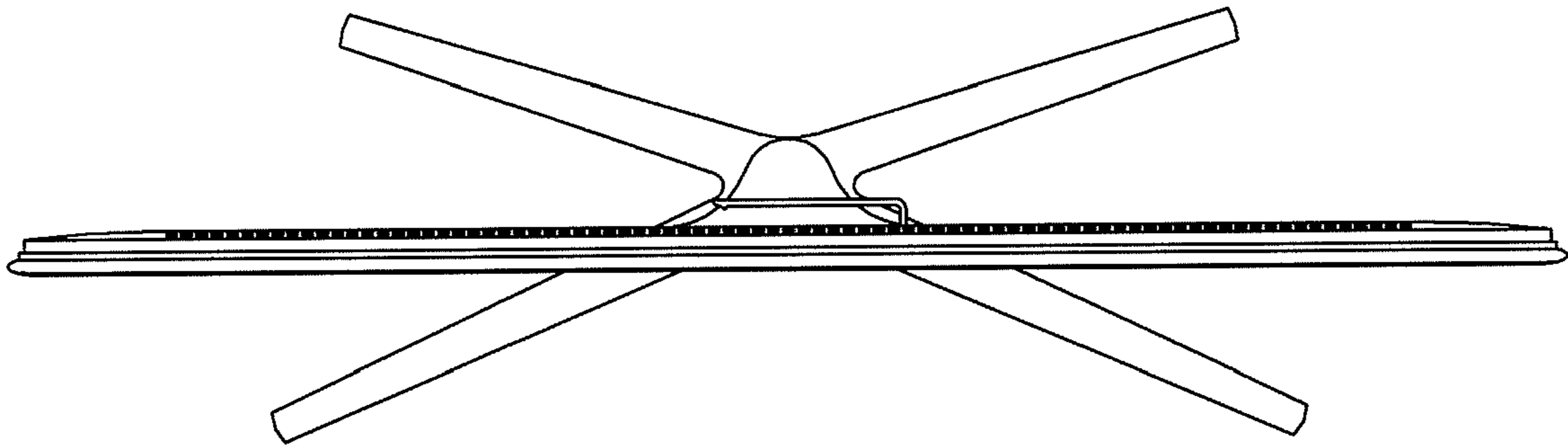
**FIG. 4**



# FIG. 5



**FIG. 6**



**FIG. 7**

