



US00D620897S

(12) **United States Design Patent**
Shan et al.

(10) **Patent No.:** **US D620,897 S**

(45) **Date of Patent:** **** Aug. 3, 2010**

(54) **LIGHT EMITTING DIODE DEVICE**

(75) Inventors: **Li-Wei Shan**, Miao-Li County (TW);
Wen-Huang Liu, Miao-Li County (TW)

(73) Assignee: **Semi LEDs Optoelectronics Co., Ltd.**,
Miao-Li (TW)

(**) Term: **14 Years**

(21) Appl. No.: **29/346,240**

(22) Filed: **Oct. 29, 2009**

(51) **LOC (9) Cl.** **13-03**

(52) **U.S. Cl.** **D13/180**

(58) **Field of Classification Search** D13/180;
D26/2; 257/79, 80, 81, 88, 89, 95, 98, 99,
257/100, E33.058; 313/483, 498, 500; 362/555,
362/800

See application file for complete search history.

(56) **References Cited**

U.S. PATENT DOCUMENTS

| | | | | | |
|-----------|------|---------|-----------------|-------|---------|
| 4,214,251 | A * | 7/1980 | Schairer | | 257/99 |
| 5,309,001 | A * | 5/1994 | Watanabe et al. | | 257/99 |
| 5,652,434 | A | 7/1997 | Nakamura et al. | | |
| 5,698,865 | A * | 12/1997 | Gerner et al. | | 257/94 |
| 6,097,040 | A | 8/2000 | Morimoto et al. | | |
| 6,153,894 | A | 11/2000 | Udagawa | | |
| 6,204,512 | B1 | 3/2001 | Nakamura et al. | | |
| 6,281,526 | B1 | 8/2001 | Nitta et al. | | |
| 6,287,947 | B1 | 9/2001 | Ludowise et al. | | |
| 6,344,665 | B1 | 2/2002 | Sung et al. | | |
| 6,495,862 | B1 | 12/2002 | Okazaki et al. | | |
| 6,518,601 | B2 * | 2/2003 | Wirth | | 257/98 |
| 6,642,548 | B1 * | 11/2003 | Brown et al. | | 257/99 |
| 6,720,730 | B2 * | 4/2004 | Salam | | 313/499 |
| 6,844,571 | B2 | 1/2005 | Krames et al. | | |
| 6,847,052 | B2 | 1/2005 | Fan et al. | | |
| D521,952 | S | 5/2006 | Yamada et al. | | |
| 7,319,044 | B2 * | 1/2008 | Han et al. | | 438/22 |
| D566,056 | S * | 4/2008 | Edmond et al. | | D13/180 |

| | | | | | |
|--------------|------|---------|-----------------|-------|---------|
| 7,439,550 | B2 * | 10/2008 | Tomioka et al. | | 257/91 |
| D580,888 | S | 11/2008 | Liu | | |
| D582,865 | S * | 12/2008 | Edmond et al. | | D13/180 |
| D593,968 | S * | 6/2009 | Edmond et al. | | D13/180 |
| 7,576,367 | B2 * | 8/2009 | Sugimori | | 257/99 |
| D599,748 | S | 9/2009 | Liu | | |
| D606,949 | S * | 12/2009 | Liu | | D13/180 |
| 2006/0131600 | A1 * | 6/2006 | Nakaoka et al. | | 257/99 |
| 2007/0075323 | A1 * | 4/2007 | Kanazawa et al. | | 257/98 |
| 2007/0085089 | A1 * | 4/2007 | Hsu | | 257/81 |

* cited by examiner

Primary Examiner—Selina Sikder

(57) **CLAIM**

The ornamental design for a light emitting diode device, as shown and described in the drawings.

DESCRIPTION

FIG. 1 is a perspective view of a light emitting diode device showing my new design;

FIG. 2 is a top view thereof;

FIG. 3 is a front view thereof;

FIG. 4 is a back view thereof;

FIG. 5 is a left view thereof;

FIG. 6 is a right view thereof;

FIG. 7 is a cross-sectional view thereof, take along line 7—7 in FIG. 3.;

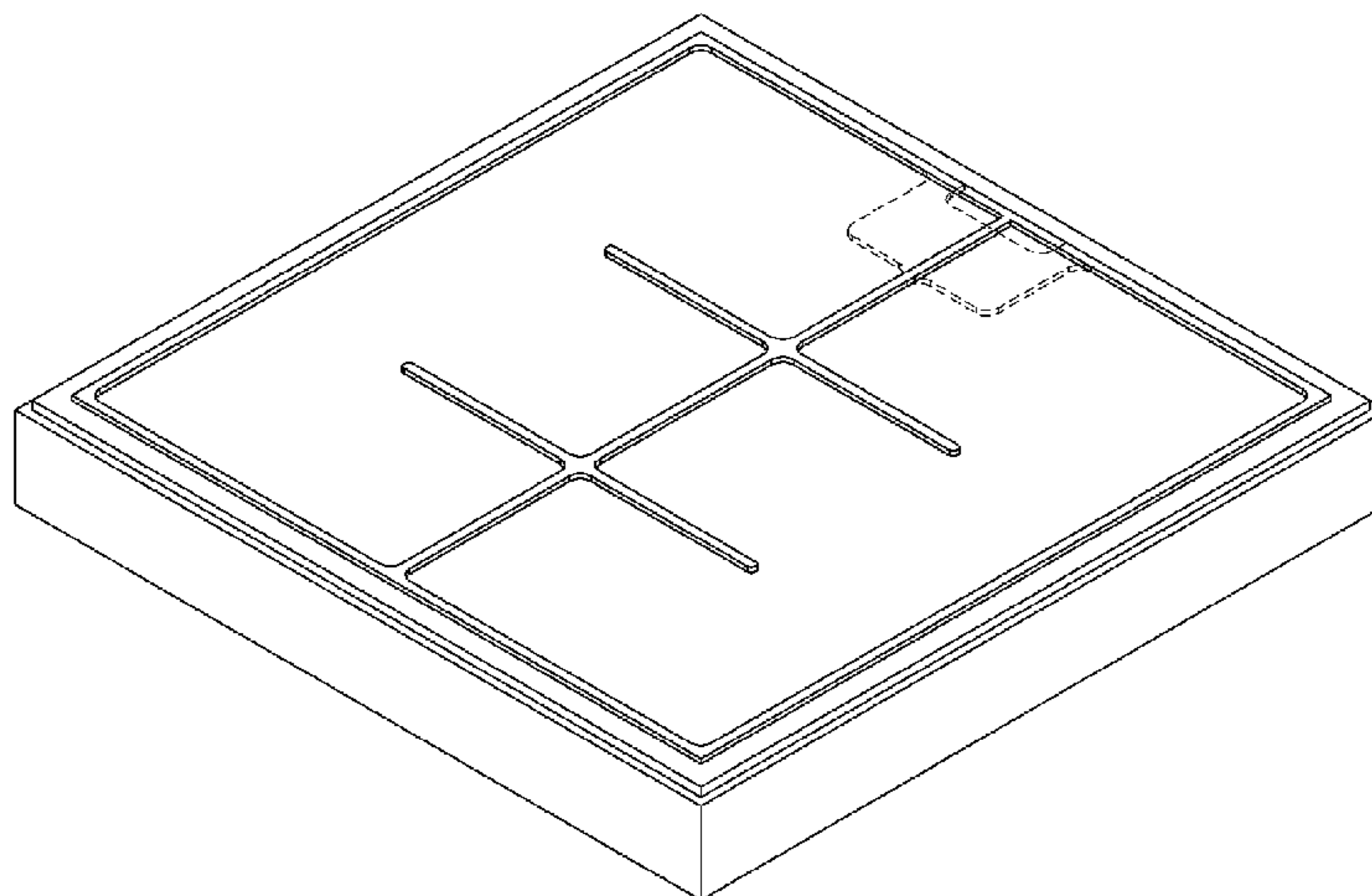
FIG. 8 is a cross-sectional view thereof, take along line 8—8 in FIG. 3.;

FIG. 9 is a right side view of thereof; the left side view is a mirror image of the right side view; and,

FIG. 10 is a front view of thereof; the backside view is a mirror image of the front side view.

It will be understood that the dash lines presented in the drawings are for illustration only, and do not form a part of the claimed design.

1 Claim, 5 Drawing Sheets



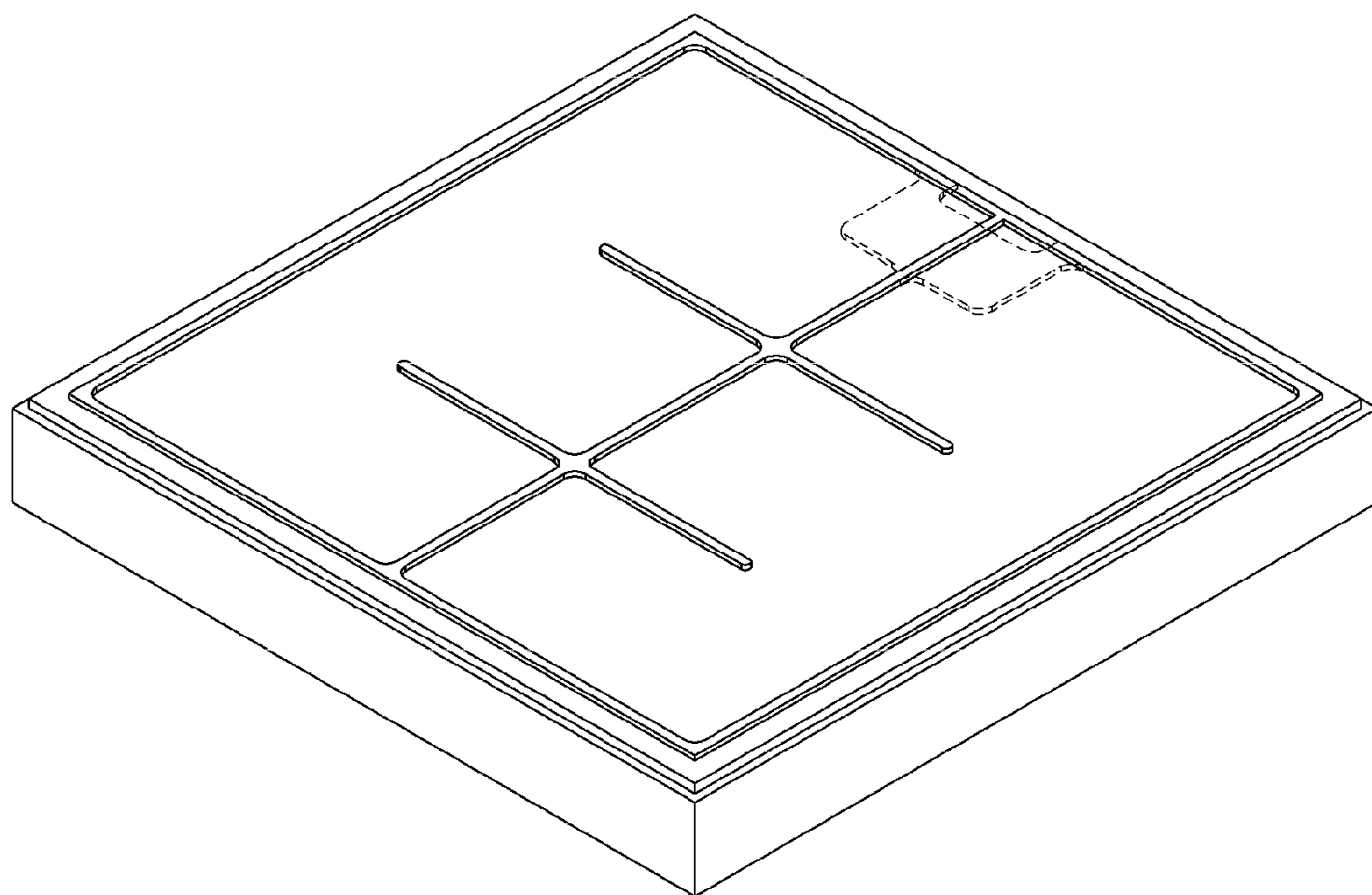


Fig. 1

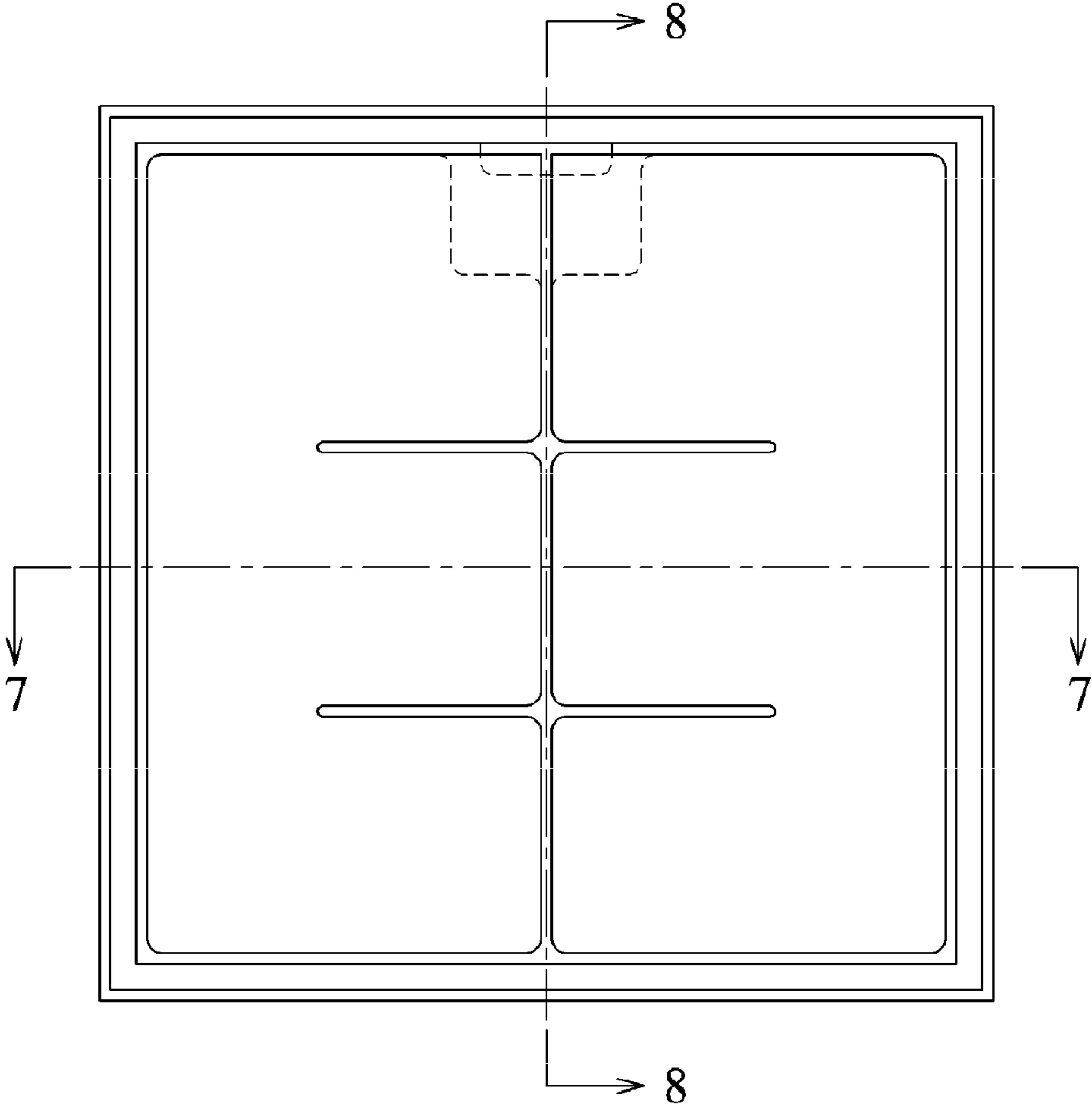


Fig. 2

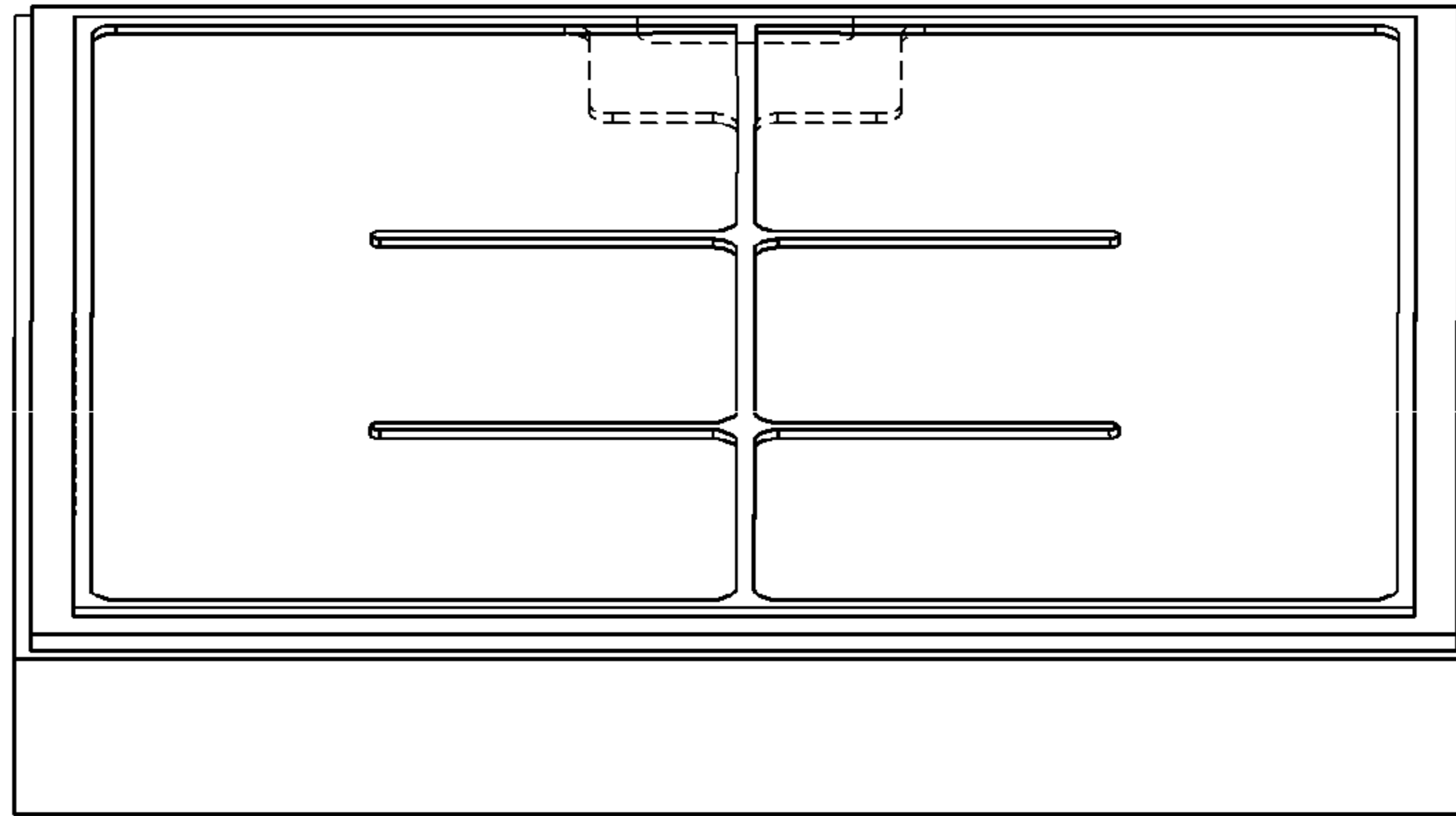


Fig. 3

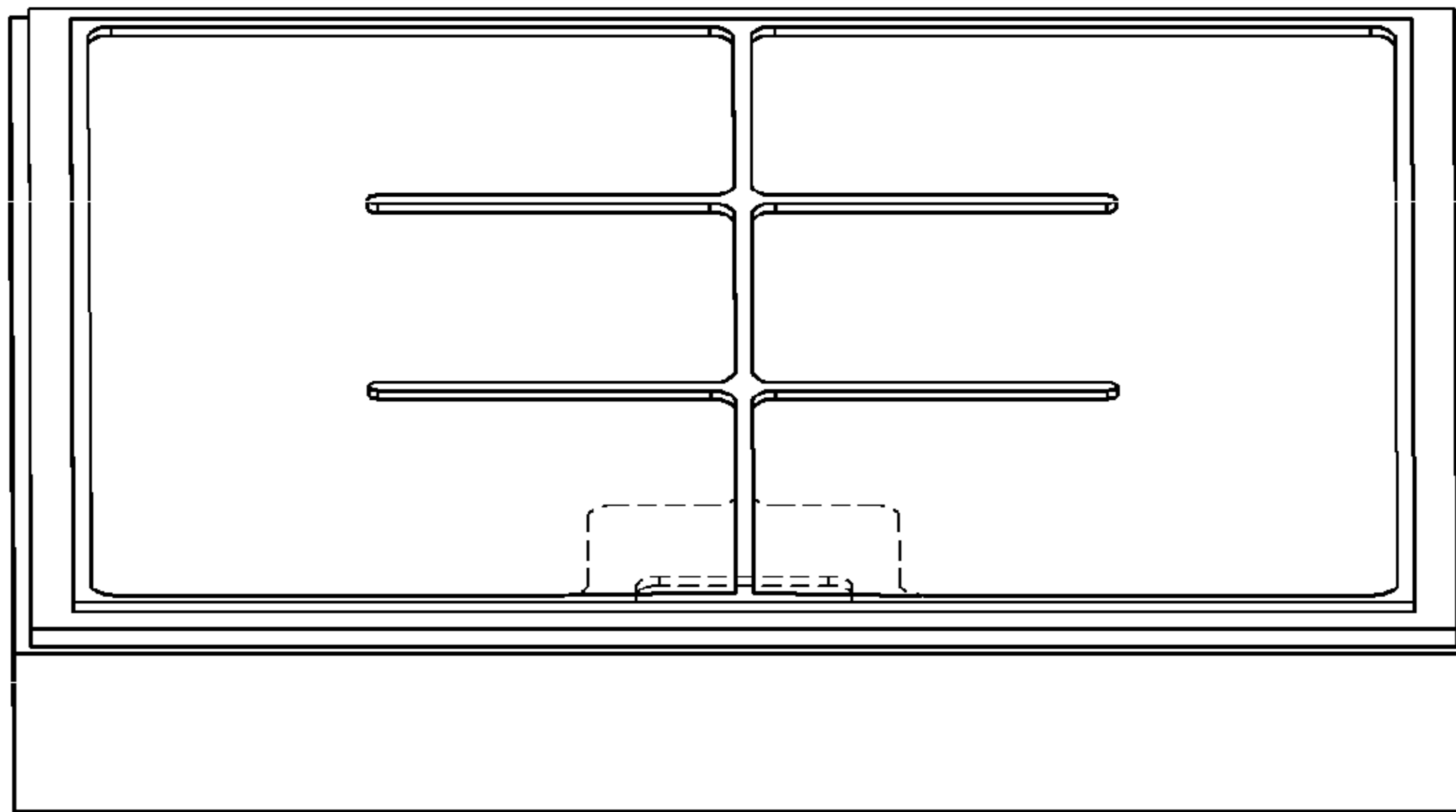


Fig. 4

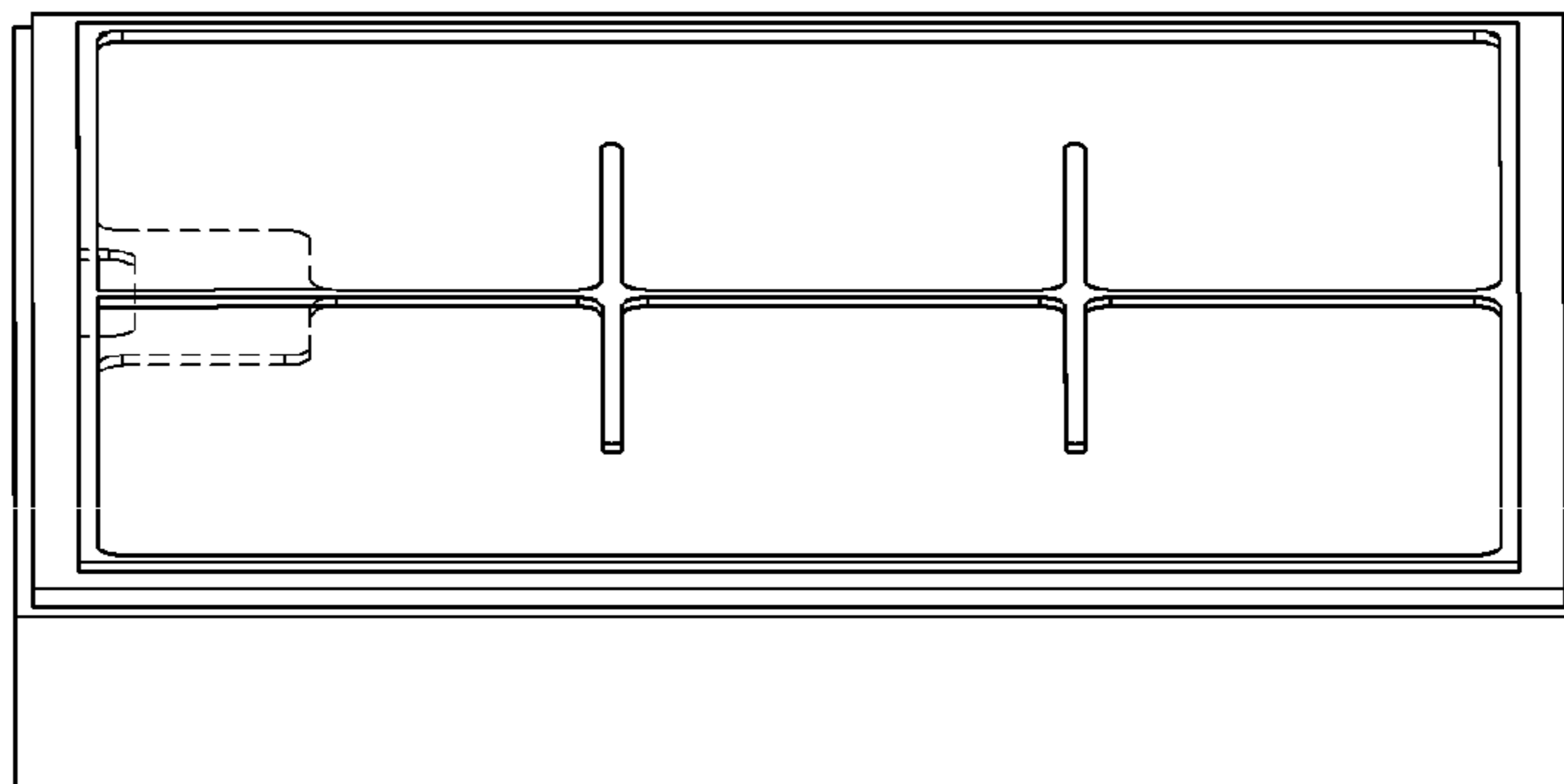


Fig. 5

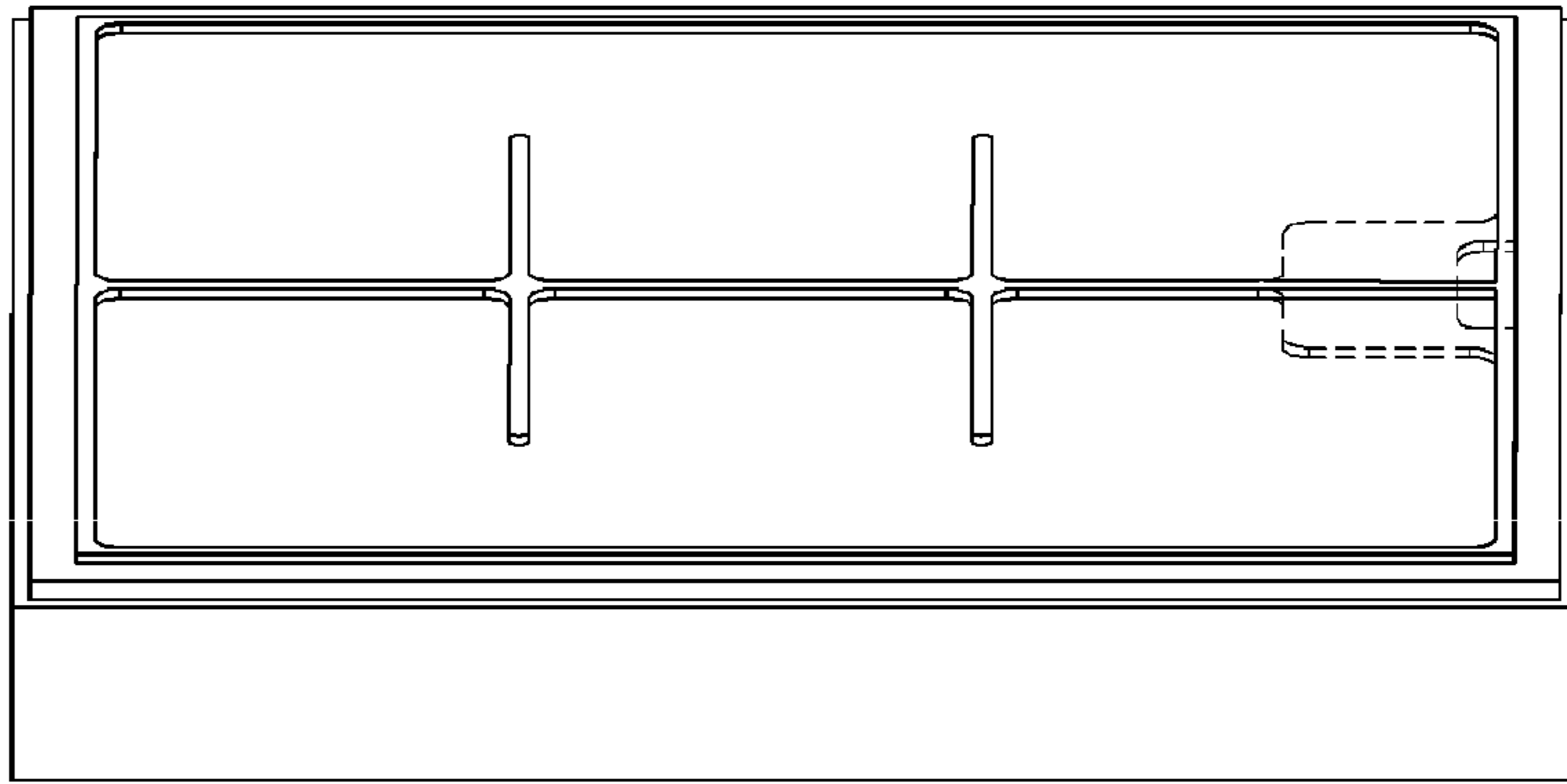


Fig. 6

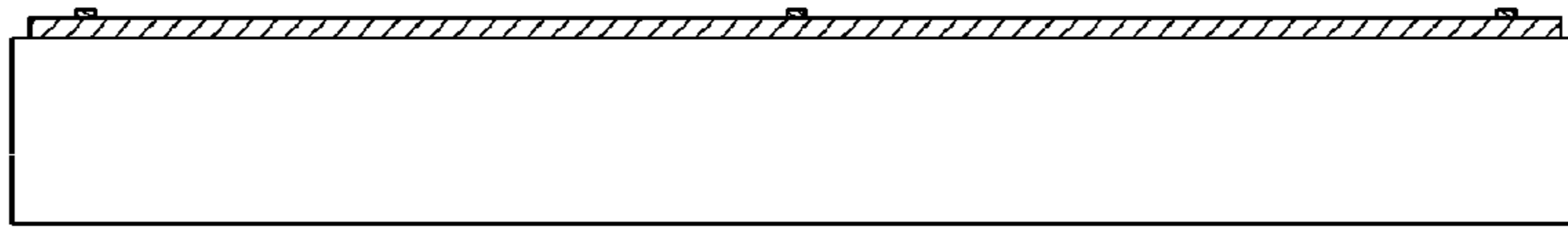


Fig. 7

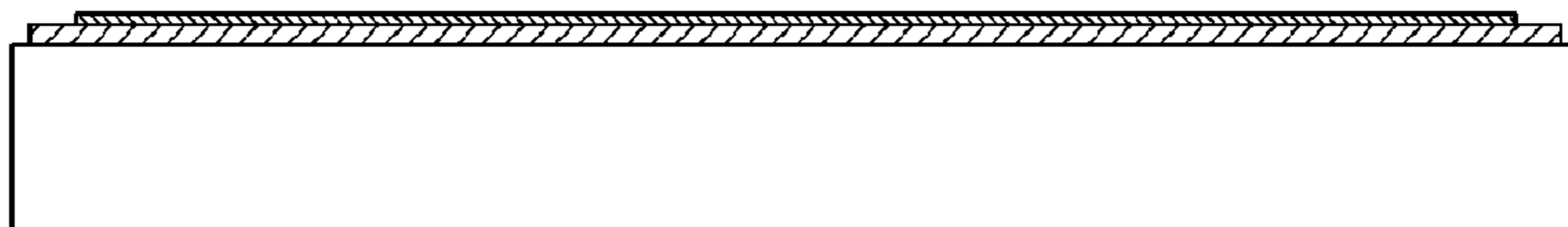


Fig. 8

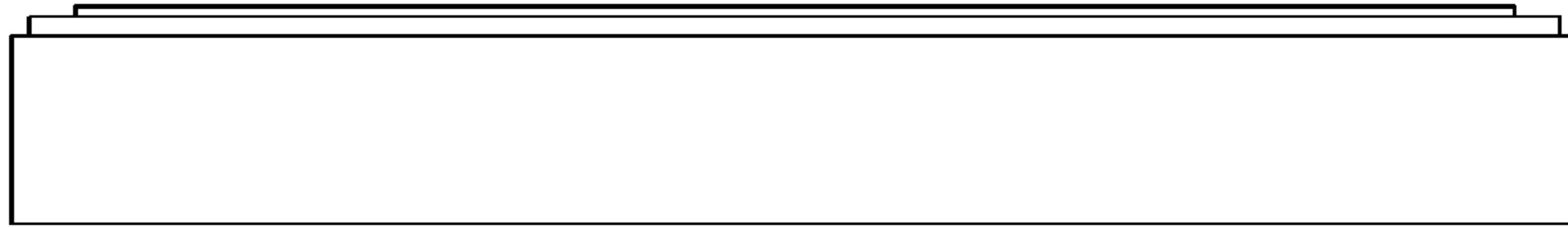


Fig. 9

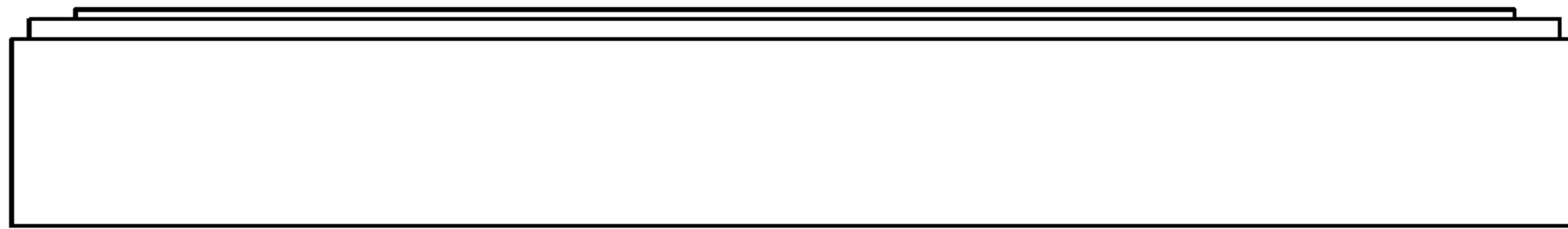


Fig. 10