

US00D620896S

(12) **United States Design Patent**  
**Petersen**

(10) **Patent No.:** **US D620,896 S**

(45) **Date of Patent:** **\*\* \*Aug. 3, 2010**

(54) **OVERVOLTAGE PROTECTION PLUG**

(75) Inventor: **Cyle D. Petersen**, Belle Plaine, MN (US)

(73) Assignee: **ADC Telecommunications, Inc.**, Eden Prairie, MN (US)

(\*\*) Term: **14 Years**

(21) Appl. No.: **29/318,746**

(22) Filed: **May 27, 2008**

(51) **LOC (9) Cl.** ..... **13-03**

(52) **U.S. Cl.** ..... **D13/160; D13/133**

(58) **Field of Classification Search** ..... D13/124,  
D13/133, 154, 160, 161, 184, 199; 439/717,  
439/721, 725

See application file for complete search history.

(56) **References Cited**

**U.S. PATENT DOCUMENTS**

D215,545 S	10/1969	Huska
4,086,648 A	4/1978	Hines et al.
4,345,294 A	8/1982	Forberg et al.
4,420,200 A	12/1983	Forberg et al.
4,420,892 A	12/1983	Braun et al.
D273,104 S	3/1984	Cousins
4,434,542 A	3/1984	Forberg et al.
4,502,088 A	2/1985	Baumbach
4,594,635 A	6/1986	Scheithauer et al.
4,626,955 A	12/1986	Cwirzen
4,642,723 A	2/1987	Achtnig et al.
4,649,456 A	3/1987	De Luca et al.
4,741,711 A	5/1988	Singer, Jr.
4,759,726 A	7/1988	Naylor et al.
4,871,330 A	10/1989	Muller et al.
4,882,748 A	11/1989	Meyerhoefer

(Continued)

**FOREIGN PATENT DOCUMENTS**

CA 1333409 12/1994

(Continued)

**OTHER PUBLICATIONS**

Pending U.S. Appl. No. 11/712,234, Baker et al., filed Feb. 28, 2007.

(Continued)

*Primary Examiner*—Daniel D Bui

*Assistant Examiner*—Thomas J Johannes

(74) *Attorney, Agent, or Firm*—Merchant & Gould P.C.

(57) **CLAIM**

The ornamental design for an overvoltage protection plug, as shown and described.

**DESCRIPTION**

FIG. 1 is a right side perspective view of an overvoltage protection plug;

FIG. 2 is a left side perspective view of the overvoltage protection plug of FIG. 1;

FIG. 3 is a left side elevation view of the overvoltage protection plug of FIG. 1;

FIG. 4 is a right side elevation view of the overvoltage protection plug of FIG. 1;

FIG. 5 is a top elevation view of the overvoltage protection plug of FIG. 1;

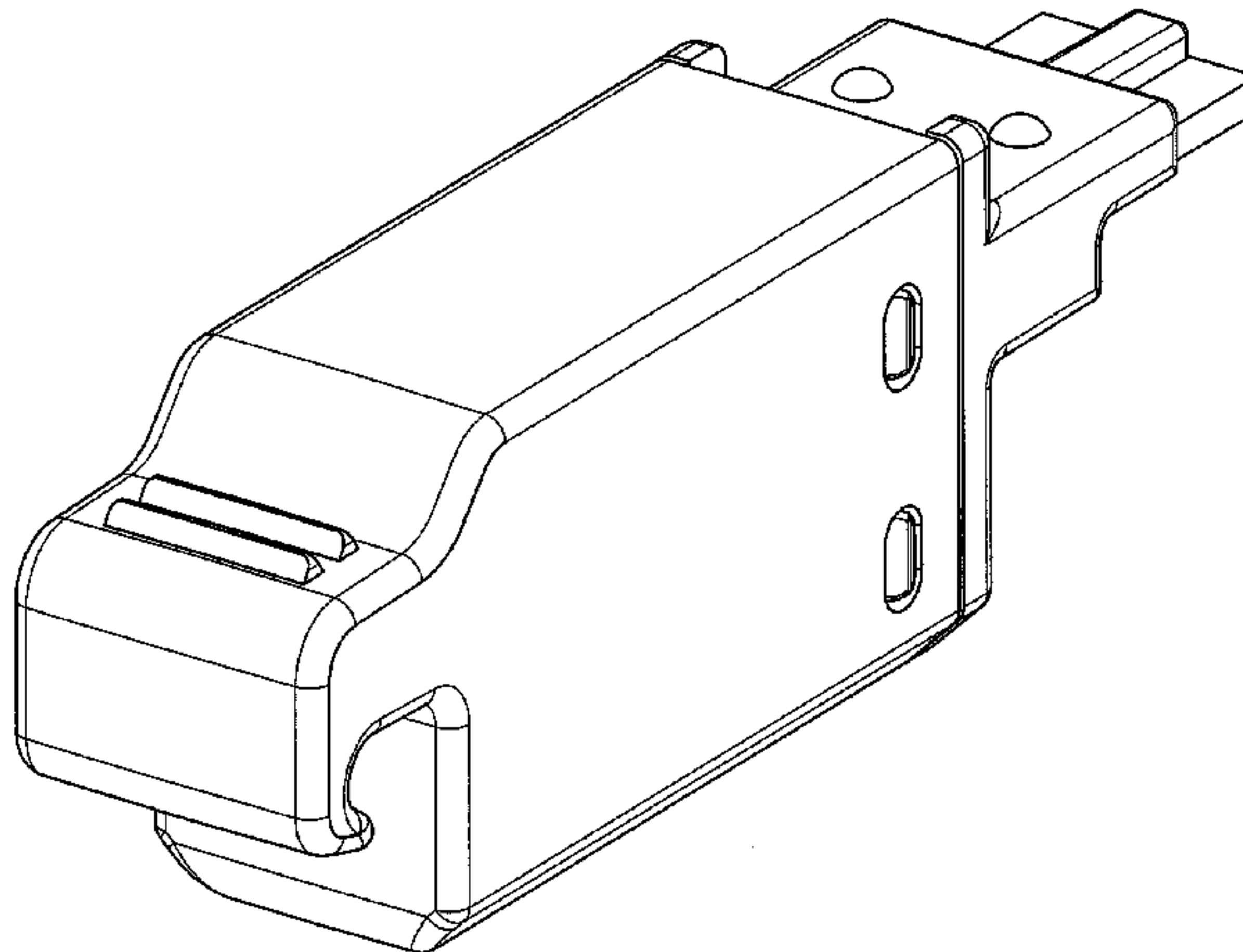
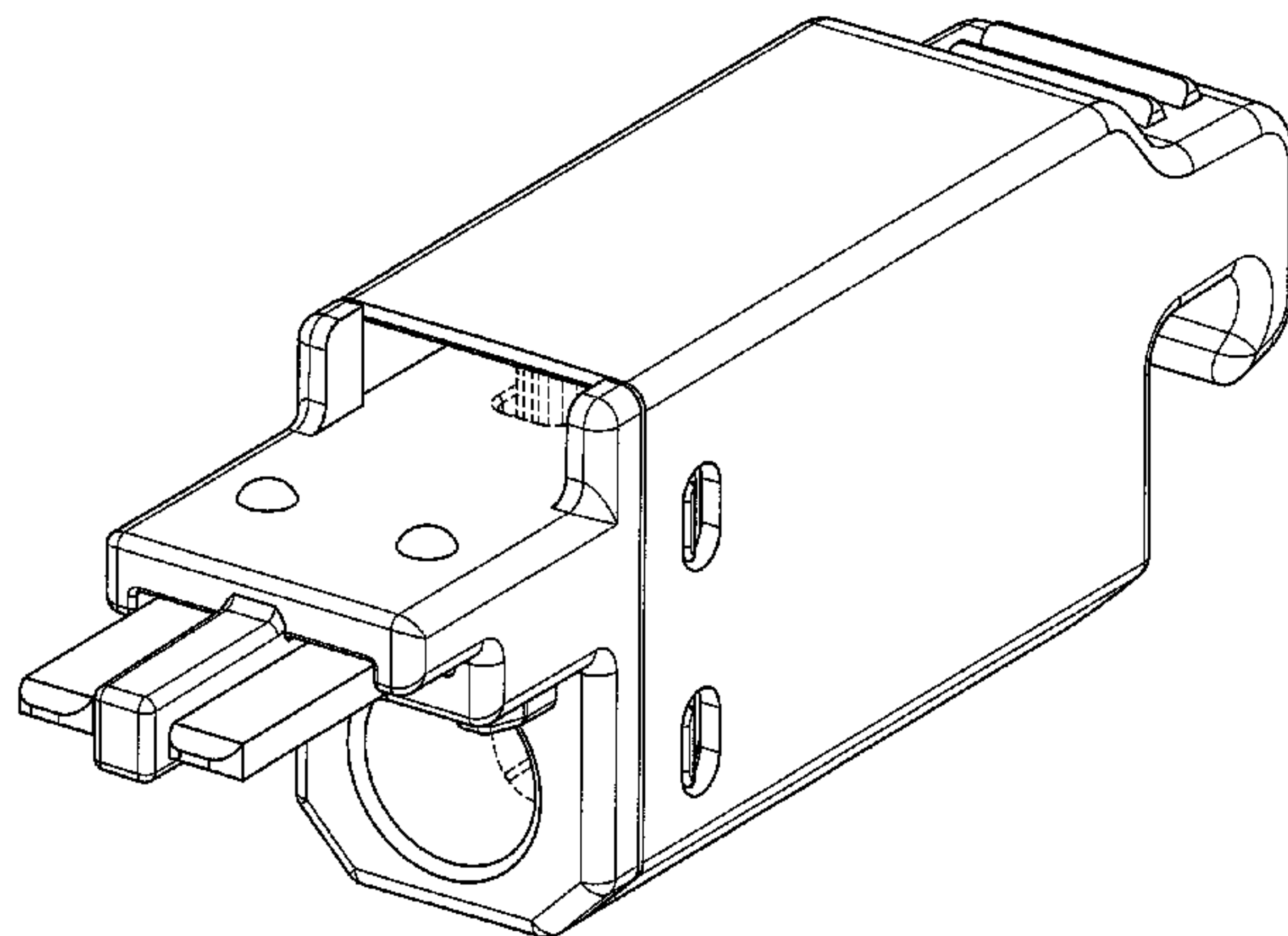
FIG. 6 is a bottom elevation view of the overvoltage protection plug of FIG. 1;

FIG. 7 is a front elevation view of the overvoltage protection plug of FIG. 1; and,

FIG. 8 is a rear elevation view of the overvoltage protection plug of FIG. 1.

The broken line portion of the figure drawings is included to show unclaimed subject matter only and forms no part of the claimed design.

**1 Claim, 6 Drawing Sheets**



# US D620,896 S

Page 2

## U.S. PATENT DOCUMENTS

4,887,183 A 12/1989 Biederstedt et al.  
 4,958,253 A 9/1990 Gilberts et al.  
 4,964,160 A 10/1990 Traube et al.  
 4,986,768 A 1/1991 Bramkamp et al.  
 5,033,974 A 7/1991 Biederstedt et al.  
 5,086,368 A 2/1992 Gerke et al.  
 5,155,649 A 10/1992 Hung et al.  
 5,155,650 A \* 10/1992 Pitsch et al. .... 361/119  
 5,157,580 A 10/1992 Hegner et al.  
 5,163,855 A 11/1992 Gerke et al.  
 5,172,295 A 12/1992 Hegner et al.  
 5,187,634 A 2/1993 Pitsch et al.  
 5,248,953 A 9/1993 Hönl  
 5,299,088 A 3/1994 Hönl et al.  
 5,341,269 A 8/1994 Hayward et al.  
 5,357,568 A 10/1994 Pelegris  
 5,369,543 A 11/1994 Bonnesen et al.  
 5,371,648 A 12/1994 Bonvallat  
 D354,940 S 1/1995 Speiser et al.  
 5,398,152 A 3/1995 Borkowicz et al.  
 5,410,443 A 4/1995 Pelegris  
 5,494,461 A 2/1996 Bippus et al.  
 5,546,267 A 8/1996 Frederiksen et al.  
 5,555,153 A 9/1996 Frederiksen et al.  
 5,574,614 A \* 11/1996 Busse et al. .... 361/119  
 5,574,615 A 11/1996 Busse et al.  
 5,596,475 A 1/1997 Figueiredo et al.  
 5,627,721 A 5/1997 Figueiredo et al.  
 5,808,849 A 9/1998 Storbeck  
 D402,628 S 12/1998 Canuto et al.  
 5,883,953 A \* 3/1999 Pelegris .... 379/413.04  
 5,910,877 A 6/1999 Paske et al.

5,923,238 A 7/1999 Polzehl et al.  
 5,936,821 A \* 8/1999 Busse et al. .... 361/104  
 5,999,412 A 12/1999 Busse et al.  
 D429,690 S 8/2000 Fristedt  
 6,266,223 B1 7/2001 Curry  
 6,302,723 B1 10/2001 Baum et al.  
 6,341,973 B1 \* 1/2002 Endo ..... 439/352  
 6,445,560 B1 9/2002 Bobert et al.  
 D472,877 S 4/2003 Jaag  
 6,654,223 B1 11/2003 Bippus et al.  
 7,008,243 B2 3/2006 Mueller et al.  
 D523,819 S 6/2006 Christianson et al.  
 7,147,412 B2 12/2006 Davis  
 D535,618 S 1/2007 Hu et al.  
 7,175,468 B1 2/2007 Chang  
 D591,691 S \* 5/2009 Baker et al. .... D13/160  
 2004/0246644 A1 12/2004 Sato et al.  
 2005/0094466 A1 5/2005 Archer et al.  
 2008/0032566 A1 2/2008 Walter et al.  
 2008/0204963 A1 \* 8/2008 Baker et al. .... 361/120  
 2009/0296303 A1 12/2009 Petersen

## FOREIGN PATENT DOCUMENTS

DE 3728368 8/1987  
 DE 10001553 8/2001

## OTHER PUBLICATIONS

Pending U.S. Appl. No. 12/473,087, Petersen, filed May 27, 2009.  
 International Search Report and Written Opinion mailed Jul. 10,  
 2008 for International Application No. PCT/US2008/054747; filed  
 Feb. 22, 2008.

\* cited by examiner

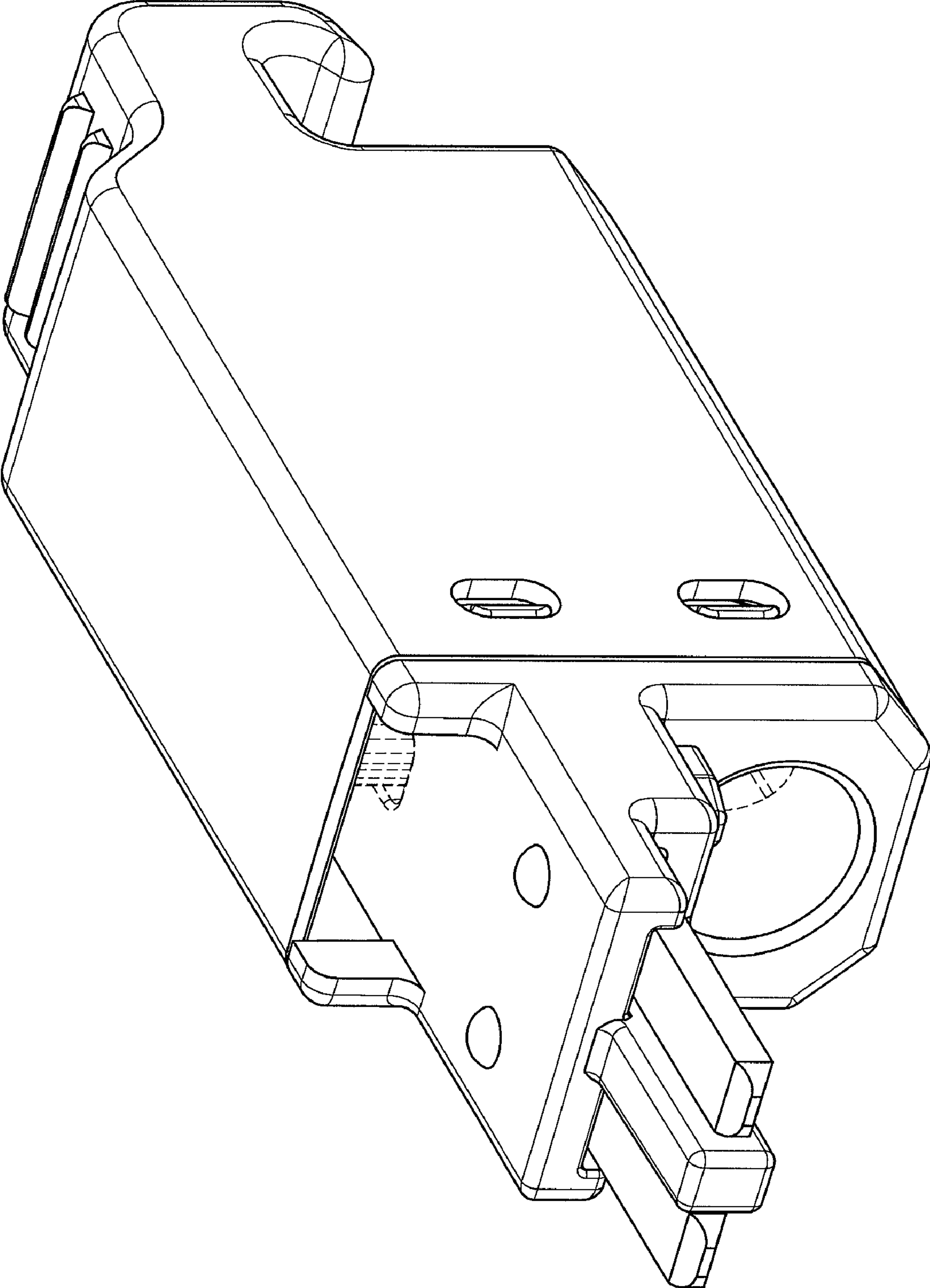


FIG. 1



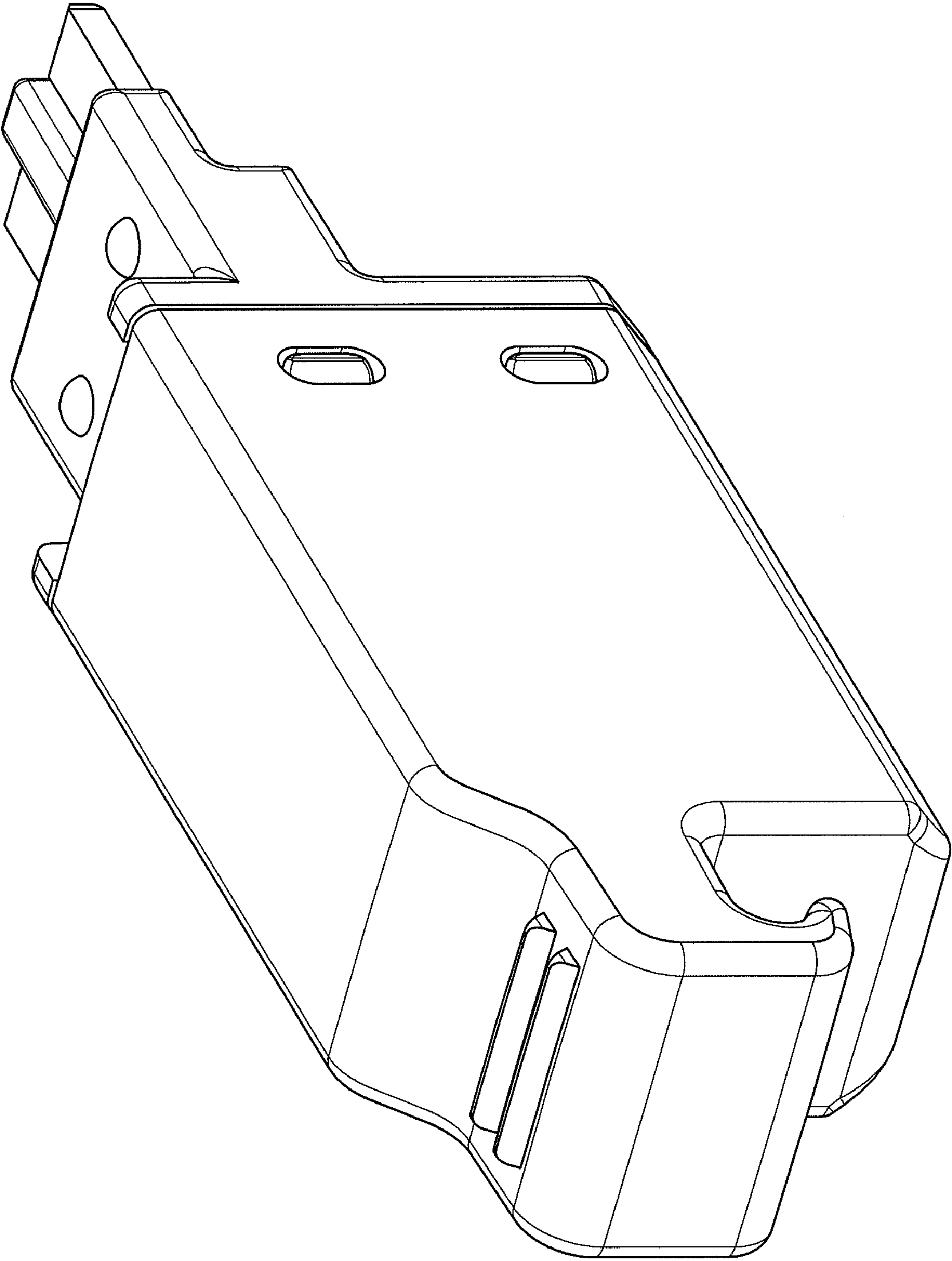


FIG. 2

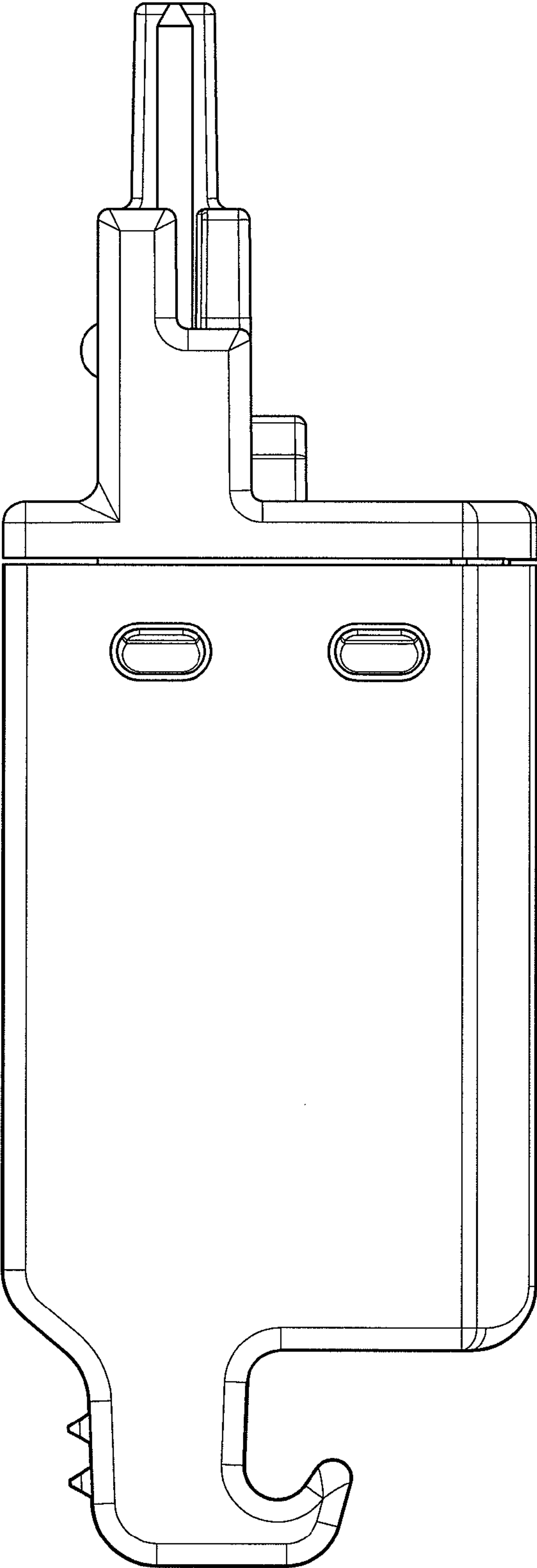


FIG. 3

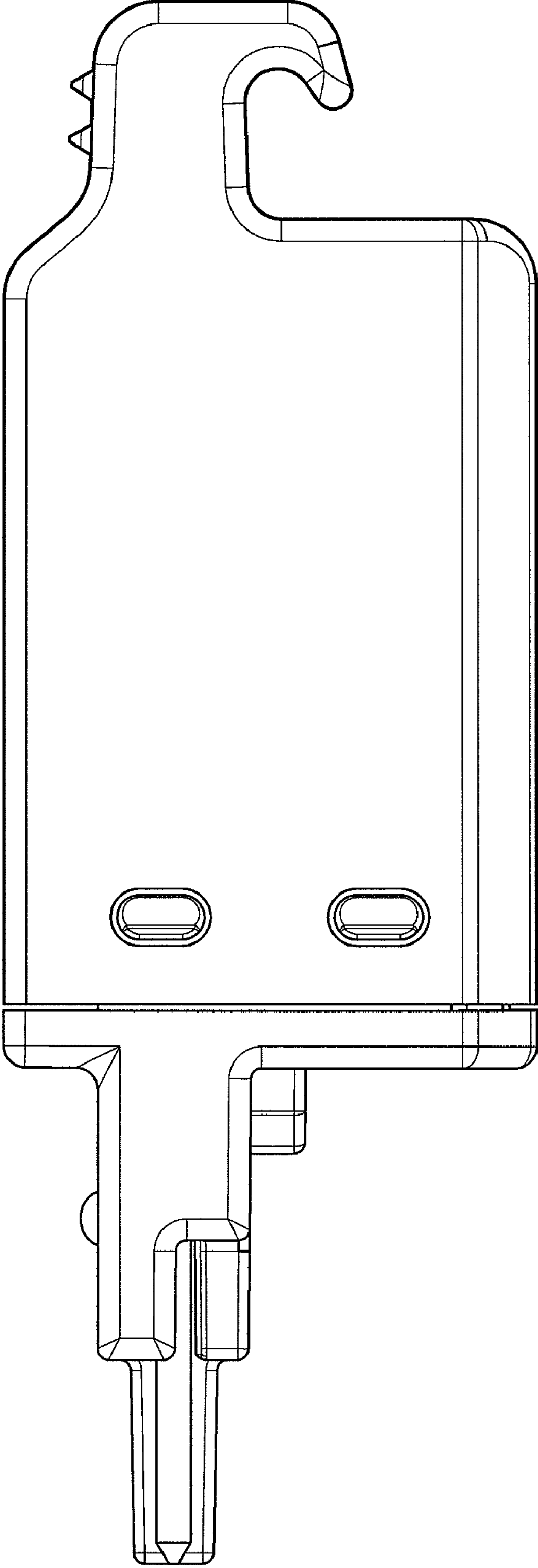


FIG. 4

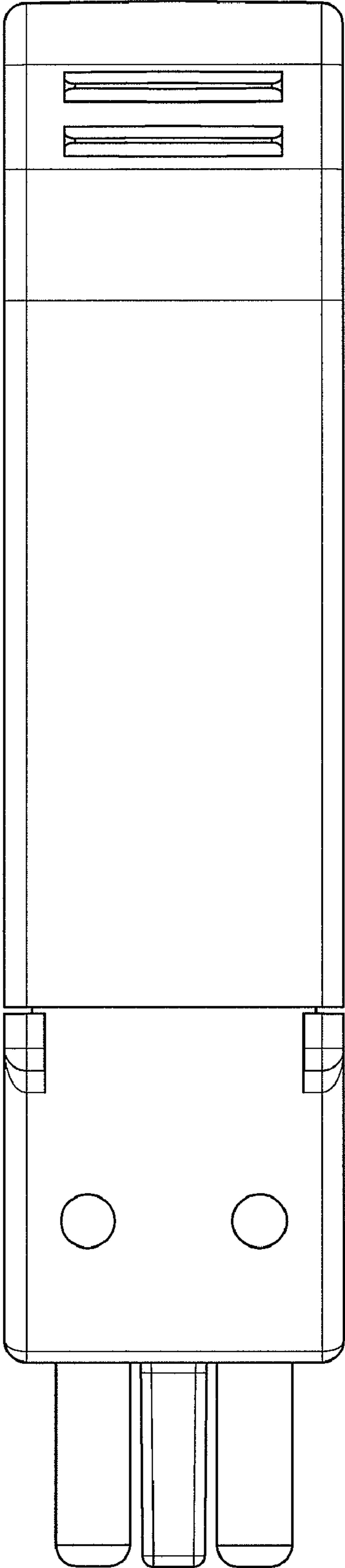


FIG. 5

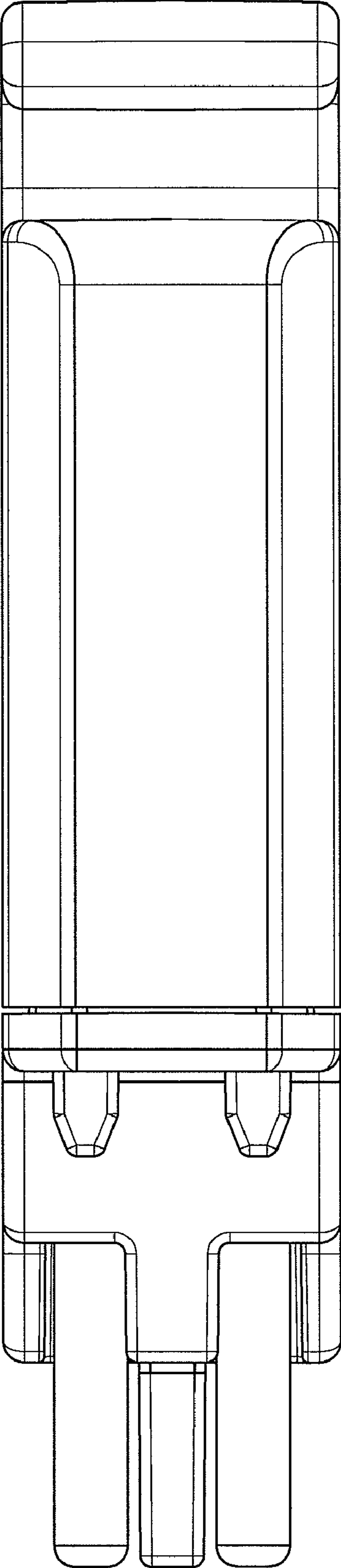


FIG. 6

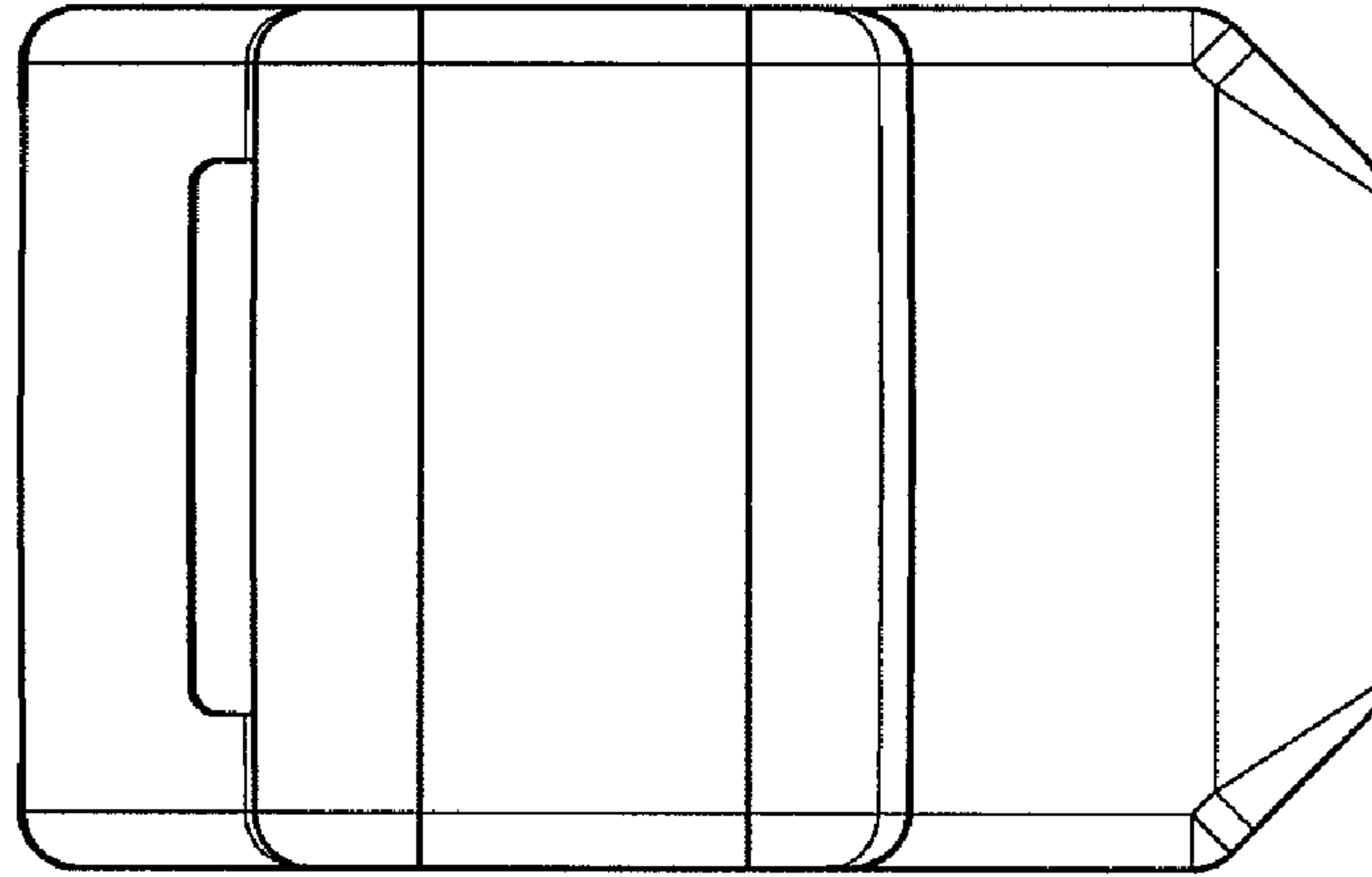


FIG. 8

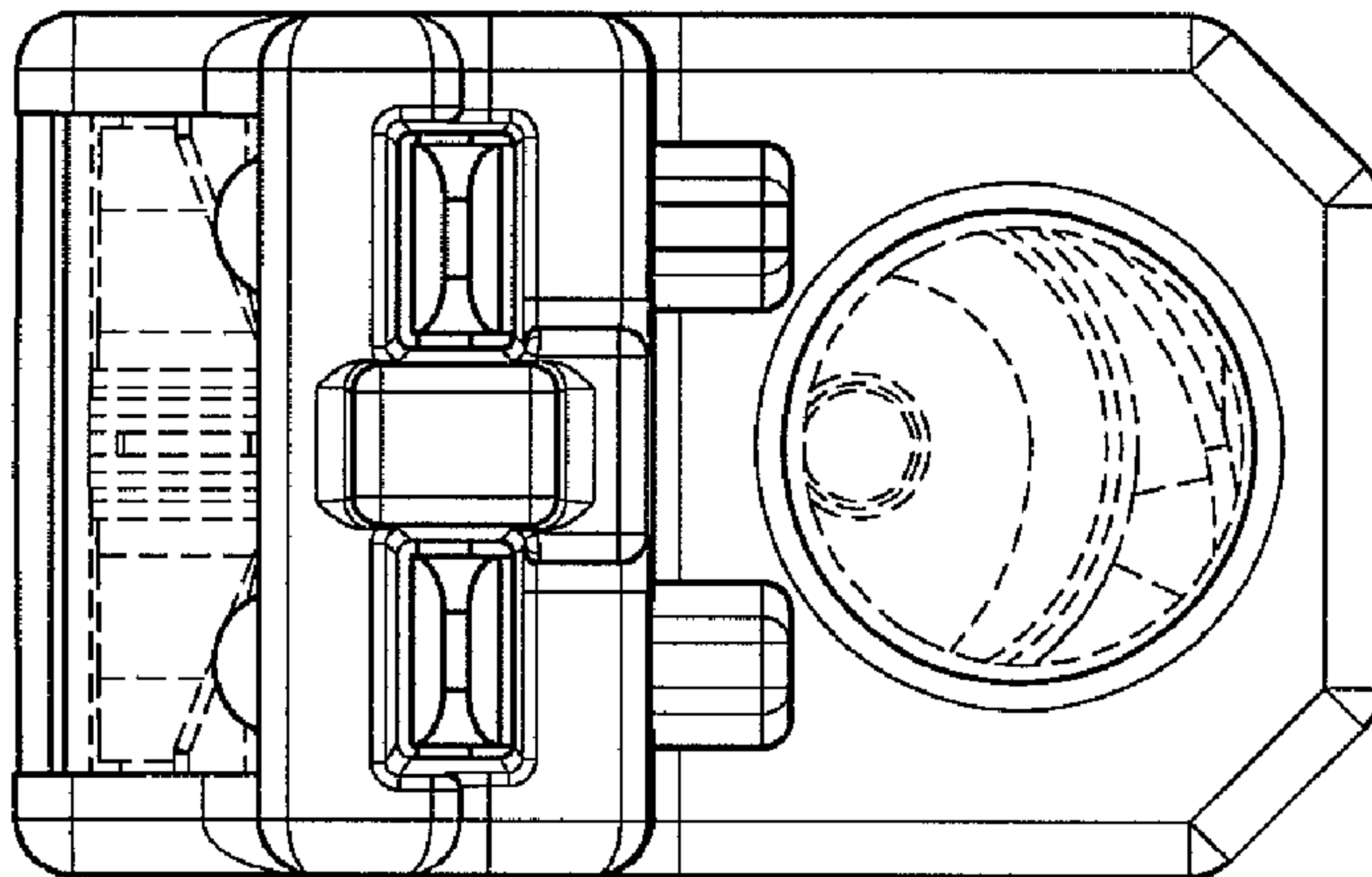


FIG. 7