



US00D620895S

(12) **United States Design Patent**
Cohen et al.

(10) **Patent No.:** **US D620,895 S**

(45) **Date of Patent:** **** Aug. 3, 2010**

(54) **ELECTRONIC DEVICE CONNECTOR**

(75) Inventors: **Itay Cohen**, Raanana (IL); **Eyal Bychkov**, Hod Hasharon (IL); **Noam Bernstein**, Tel Aviv (IL); **Yaniv Maydar**, Tel Aviv (IL); **Michael Ip Siu Kong**, Tuen Mun (HK); **Yaohua Hou**, Shenzhen (CN); **Xiaolin Yin**, Shenzhen (CN)

(73) Assignee: **Modu Ltd.**, Kfar Saba (IL)

(**) Term: **14 Years**

(21) Appl. No.: **29/340,450**

(22) Filed: **Jul. 19, 2009**

(51) **LOC (9) Cl.** **13-03**

(52) **U.S. Cl.** **D13/154**

(58) **Field of Classification Search** D13/133,
D13/146–147, 154, 184; 439/538, 539, 607–610,
439/660, 676, 680, 712, 716

See application file for complete search history.

(56) **References Cited**

U.S. PATENT DOCUMENTS

D435,244 S * 12/2000 Lok D13/147
D490,377 S * 5/2004 Sato D13/147
D521,456 S * 5/2006 Kondas D13/154

D585,830 S * 2/2009 Shen et al. D13/147
D591,148 S * 4/2009 Parikh et al. D9/425

* cited by examiner

Primary Examiner—Daniel D Bui

(74) *Attorney, Agent, or Firm*—Soquel Group LLC

(57) **CLAIM**

The ornamental design for an electronic device connector, as shown and described.

DESCRIPTION

FIG. 1 is a bottom, back and right side perspective view of an electronic device connector showing our new design;

FIG. 2 is a bottom, back and left side perspective view thereof;

FIG. 3 is a top, back and left side perspective view thereof;

FIG. 4 is a back elevational view thereof;

FIG. 5 is a bottom plan view thereof;

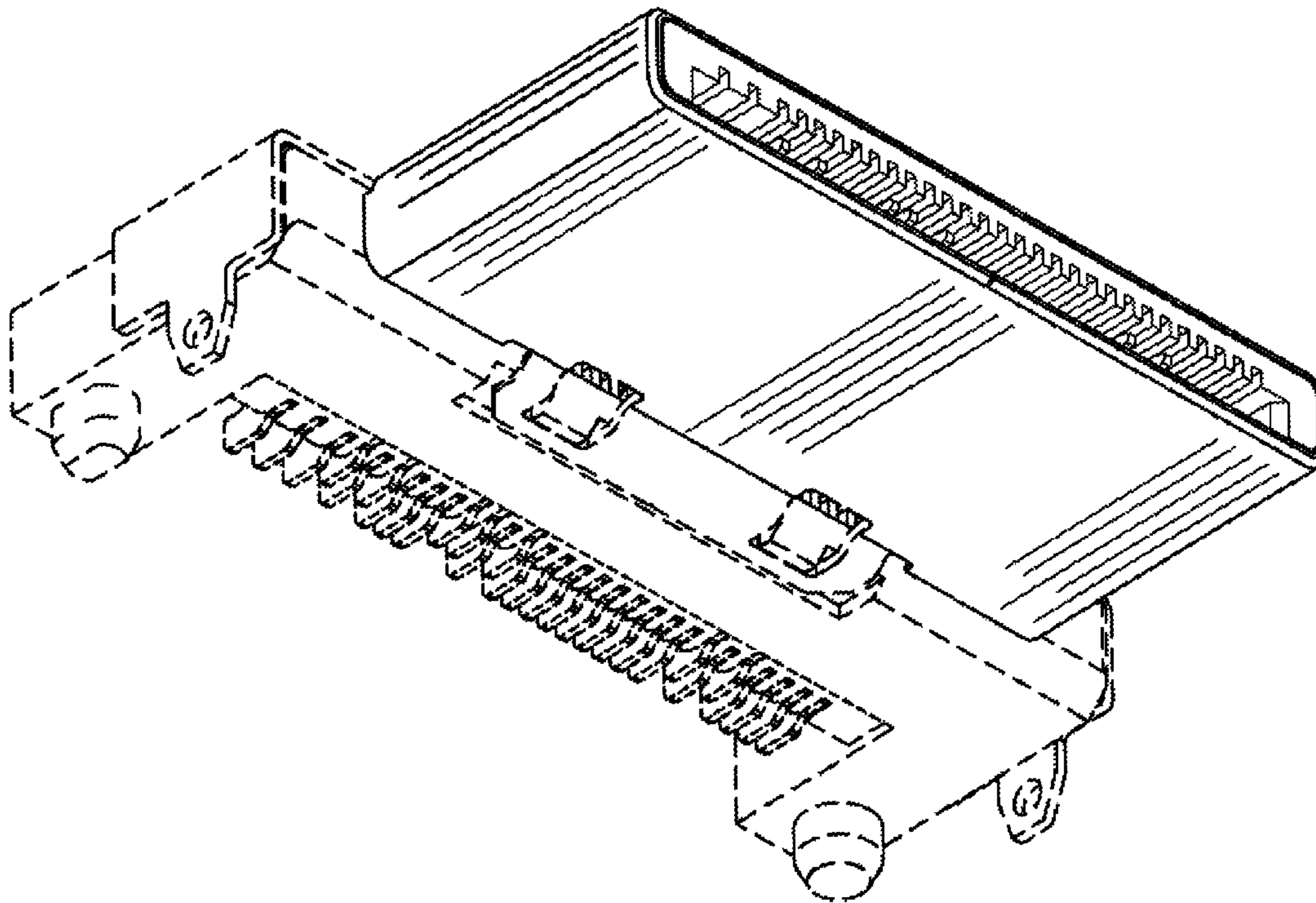
FIG. 6 is a top plan view thereof;

FIG. 7 is a right elevational view thereof; and,

FIG. 8 is a left elevational view thereof.

The broken line portion of the figure drawings is included to show unclaimed subject matter only and forms no part of the claimed design.

1 Claim, 8 Drawing Sheets



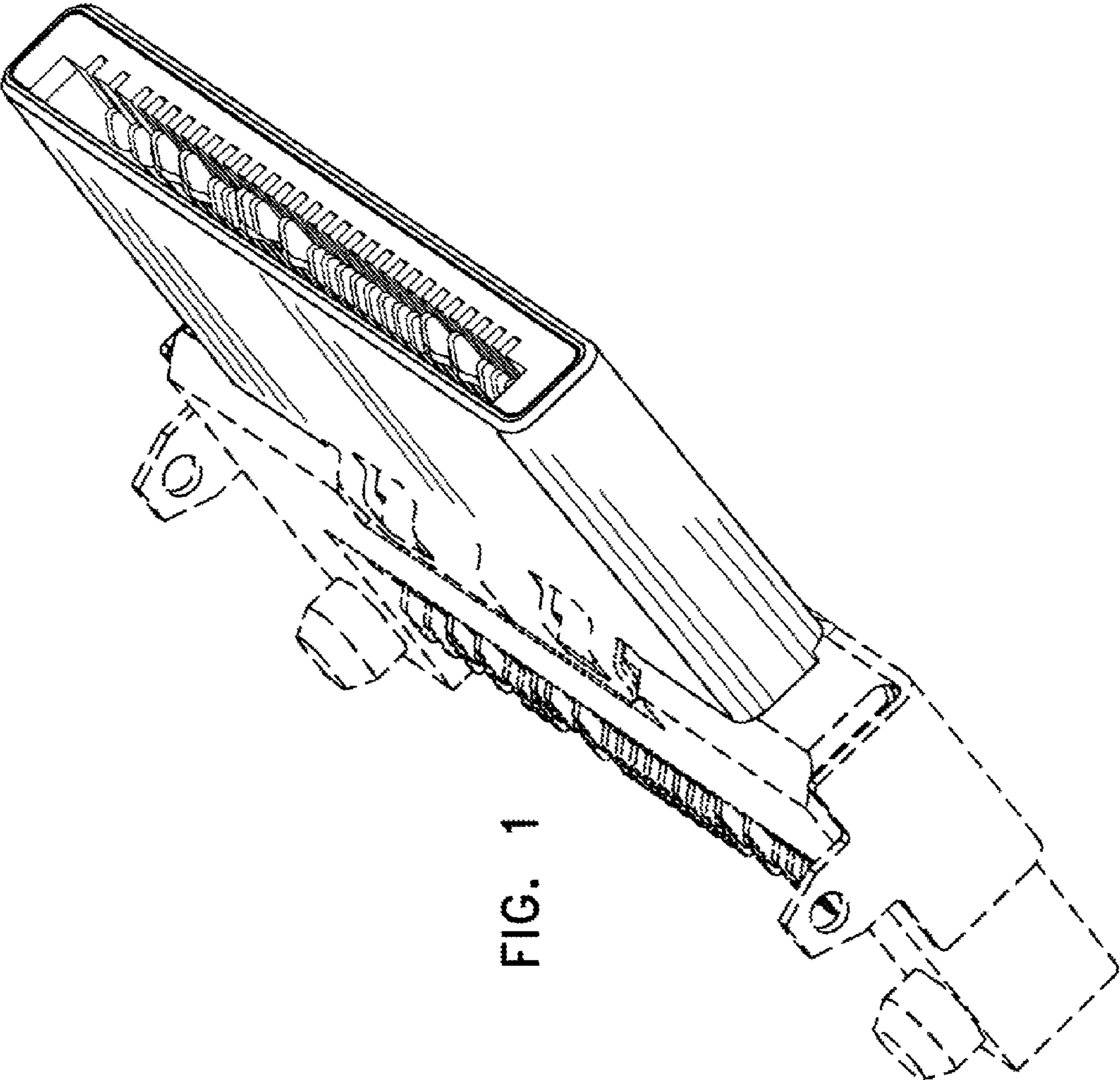


FIG. 1

FIG. 2

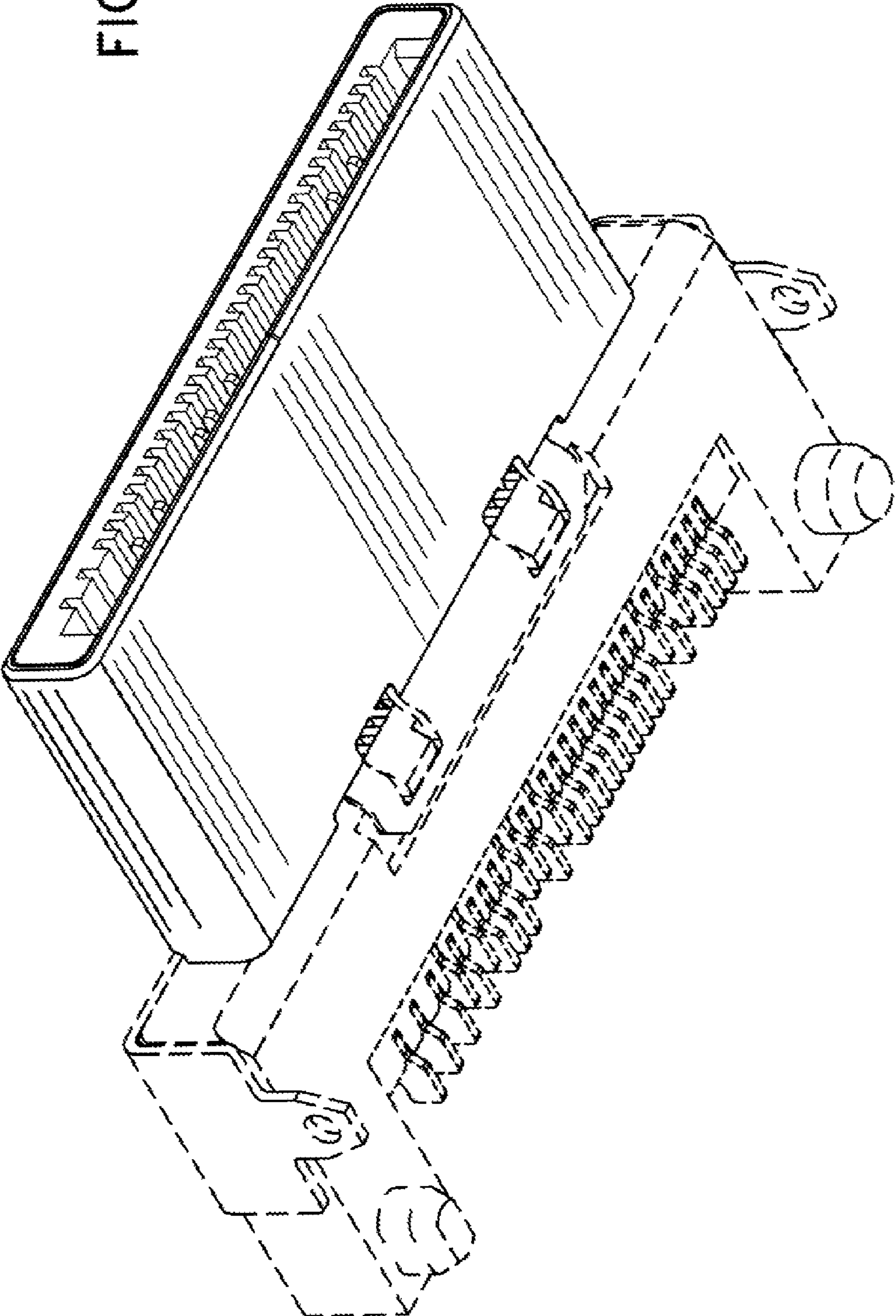


FIG. 3

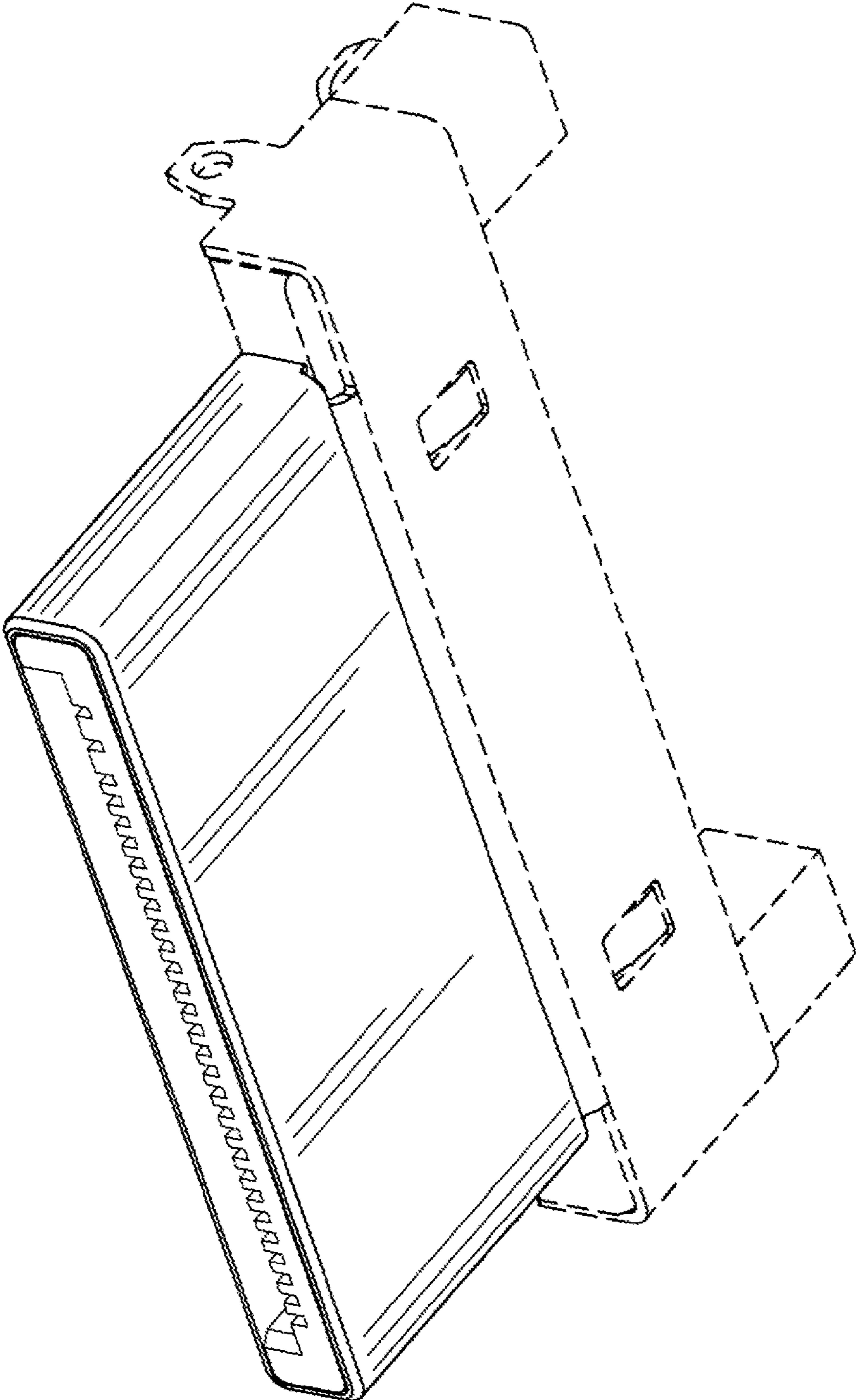


FIG. 4

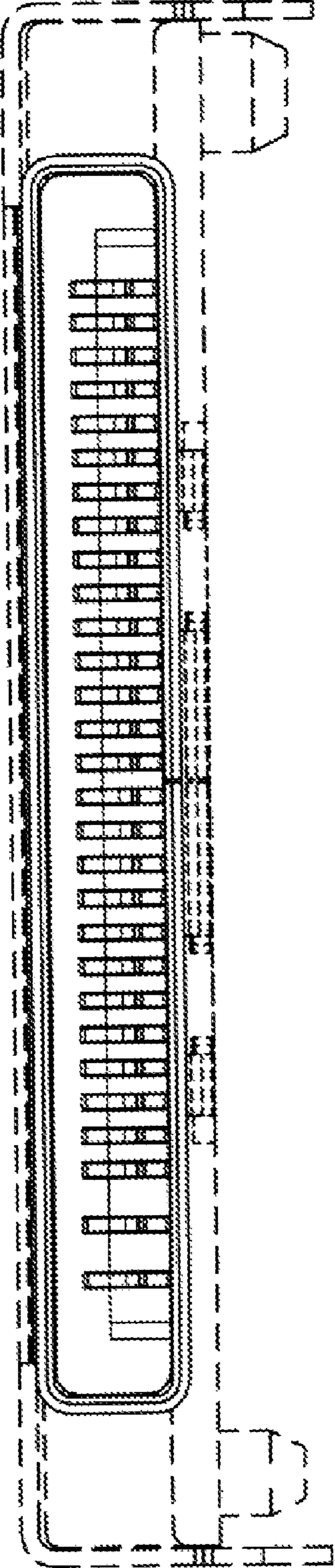


FIG. 5

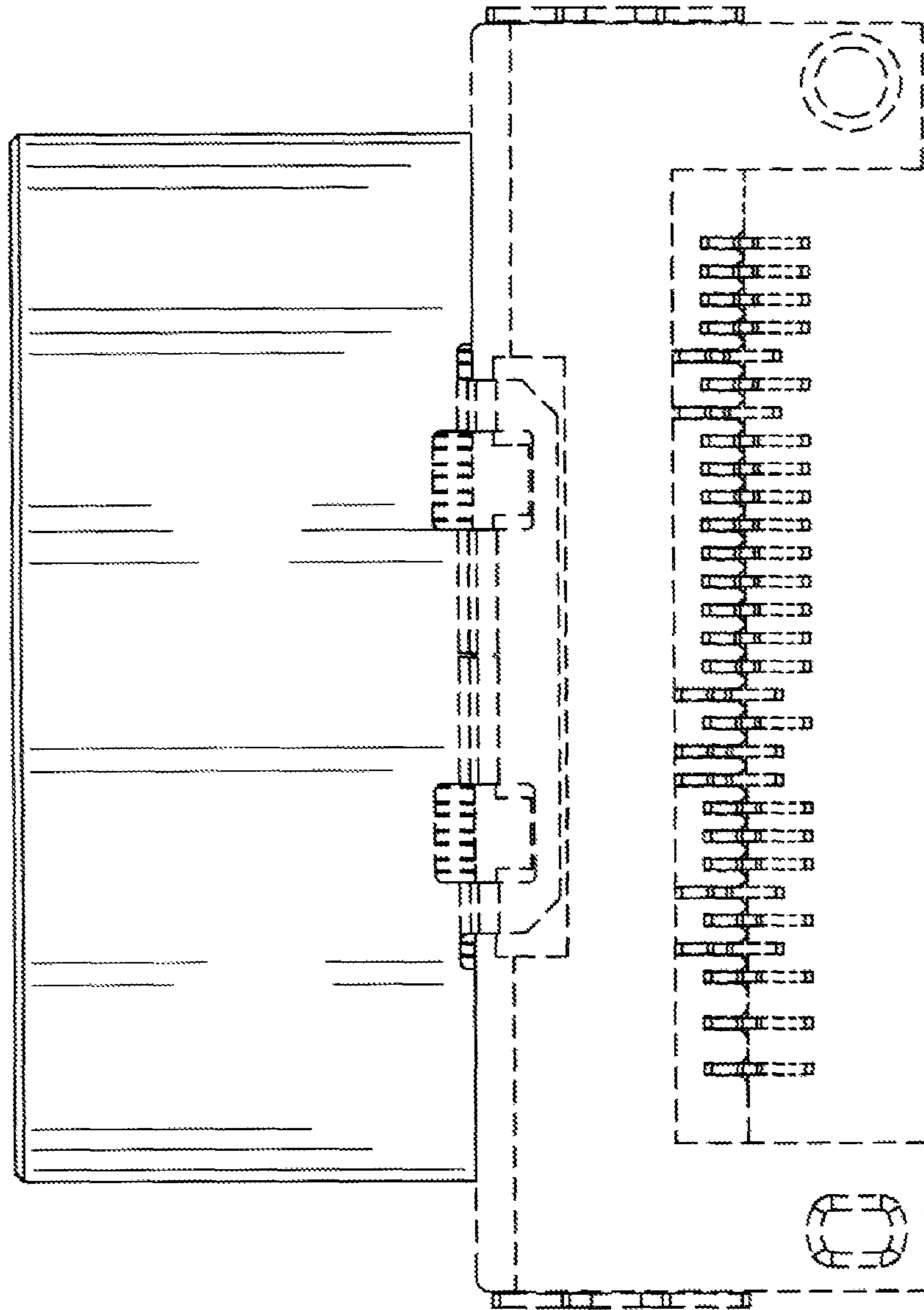


FIG. 6

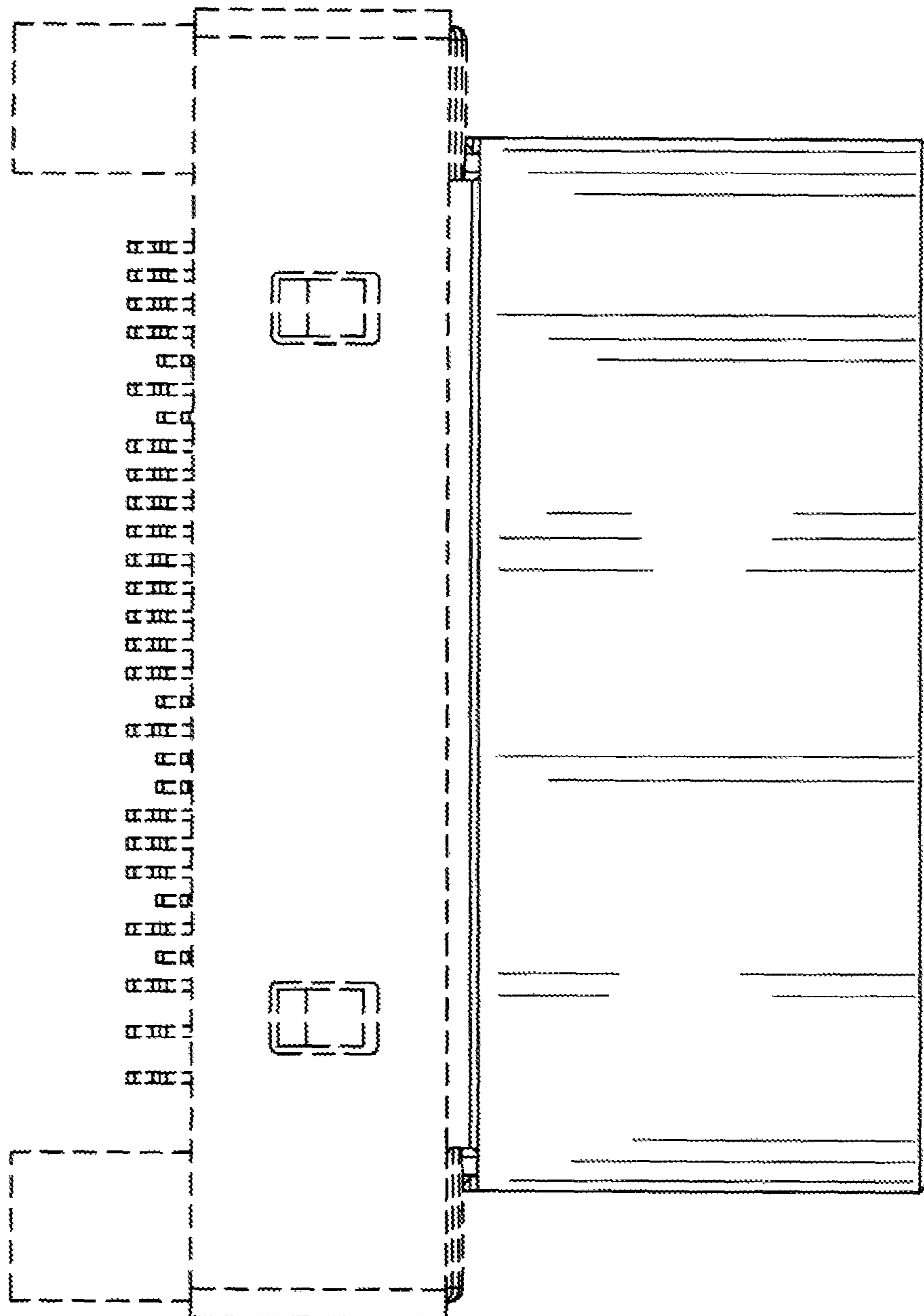


FIG. 7

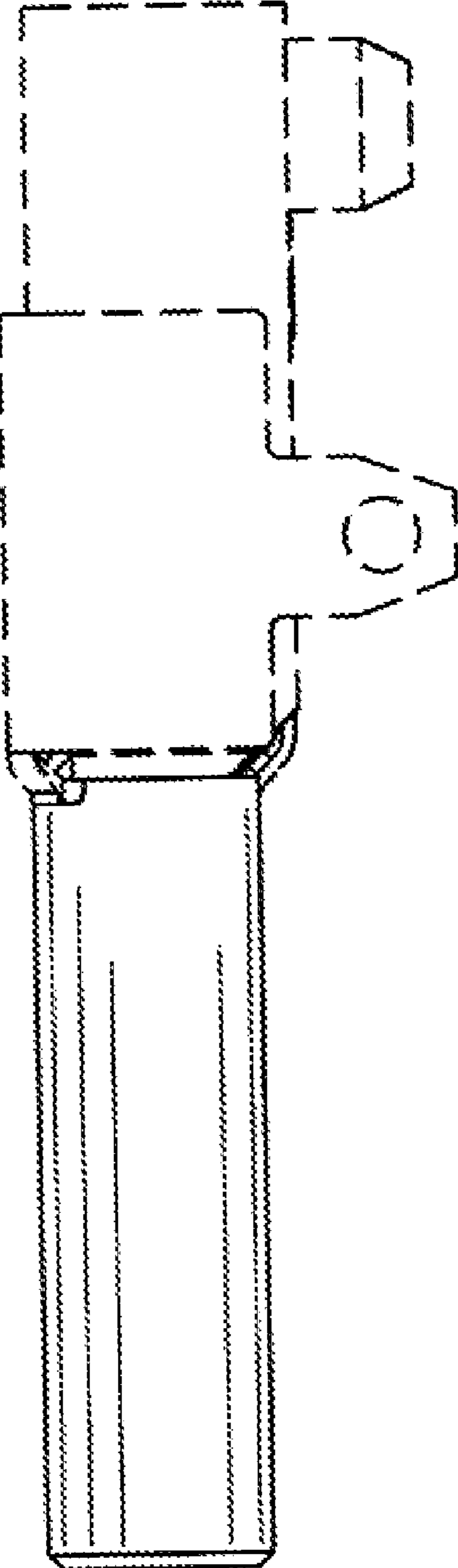


FIG. 8

