



US00D620894S

(12) **United States Design Patent**
Lutz et al.

(10) **Patent No.:** **US D620,894 S**

(45) **Date of Patent:** **** Aug. 3, 2010**

(54) **COAXIAL CONNECTOR**

(75) Inventors: **William Bernard Lutz**, Glendale, AZ
(US); **Kenneth Steven Wood**, Elmira,
NY (US)

(73) Assignee: **Corning Gilbert Inc.**, Glendale, AZ
(US)

(**) Term: **14 Years**

(21) Appl. No.: **29/342,644**

(22) Filed: **Aug. 28, 2009**

(51) **LOC (9) Cl.** **13-03**

(52) **U.S. Cl.** **D13/151**

(58) **Field of Classification Search** D13/133,
D13/149, 151, 153, 154, 156, 199; 439/79,
439/248, 258, 274, 350, 352, 353, 358, 359,
439/362, 378, 445, 447, 578, 584, 585, 656,
439/660, 676, 677, 678, 679, 680, 681, 682,
439/686; 411/7, 11; 426/507; 28/828; 307/10.1;
333/81 A

See application file for complete search history.

(56) **References Cited**

U.S. PATENT DOCUMENTS

D440,939 S * 4/2001 Montena D13/133
D511,497 S * 11/2005 Murphy et al. D13/151
D512,024 S * 11/2005 Murphy et al. D13/151
D512,689 S * 12/2005 Murphy et al. D13/151

D515,037 S * 2/2006 Fox D13/151
D521,454 S * 5/2006 Murphy et al. D13/151
D535,259 S * 1/2007 Rodrigues et al. D13/151
D577,682 S * 9/2008 Amidon D13/151
D605,135 S * 12/2009 Malloy D13/151
7,661,984 B2 * 2/2010 McMullen et al. 439/583
2005/0136735 A1 * 6/2005 Rodrigues et al. 439/578

* cited by examiner

Primary Examiner—Daniel D Bui

Assistant Examiner—Thomas J Johannes

(74) *Attorney, Agent, or Firm*—Matthew J. Mason

(57) **CLAIM**

The ornamental design for a coaxial connector, as shown and described.

DESCRIPTION

FIG. 1 is a top, side, and front perspective view of a coaxial connector showing our new design;

FIG. 2 is a top, side, and rear perspective view thereof;

FIG. 3 is a top plain view thereof;

FIG. 4 is a right elevational view thereof;

FIG. 5 is a front end view thereof; and,

FIG. 6 is a rear end view thereof.

The broken line portion of the figure drawings is included to show unclaimed subject matter only and forms no part of the claimed design.

1 Claim, 3 Drawing Sheets

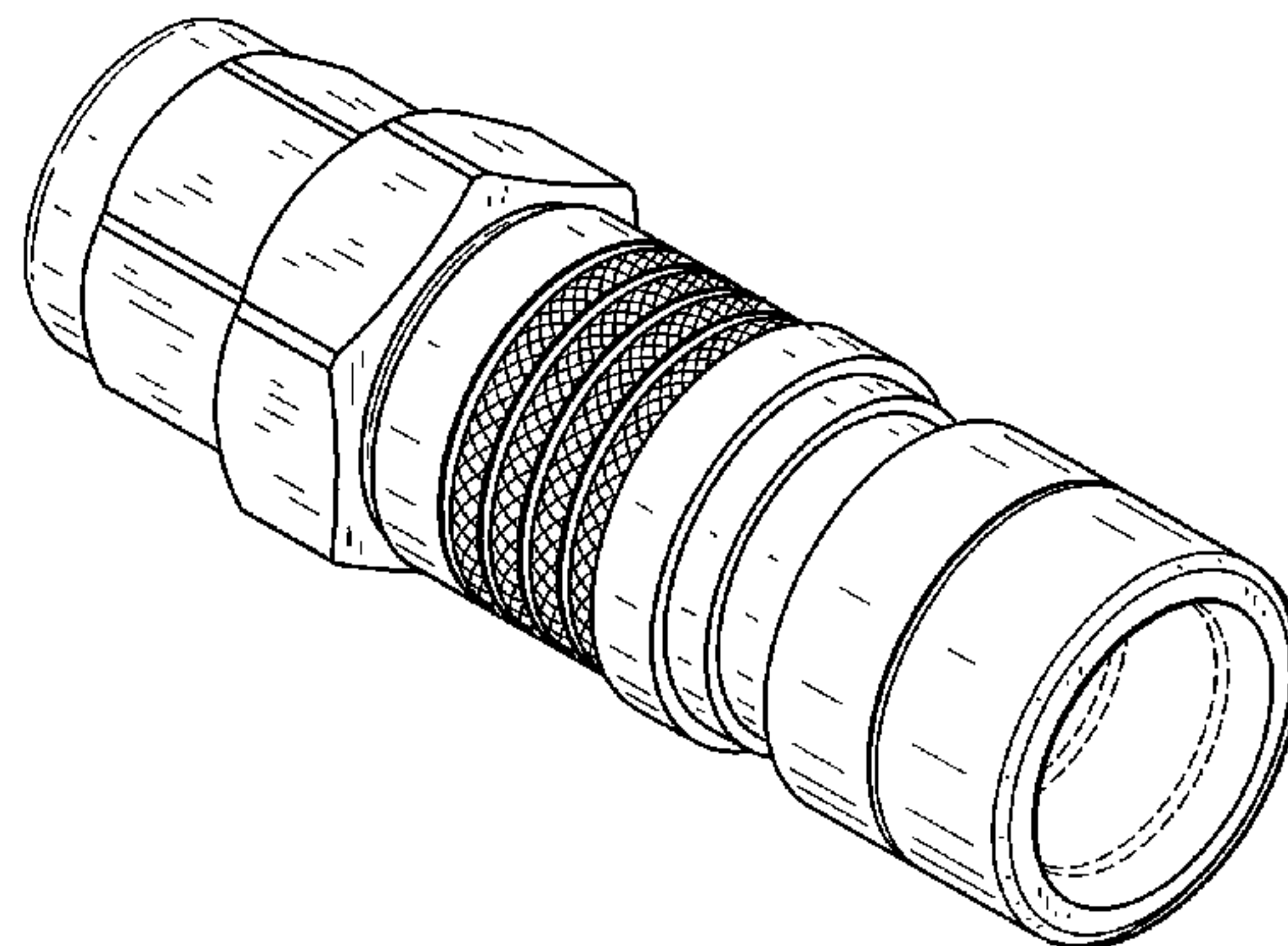
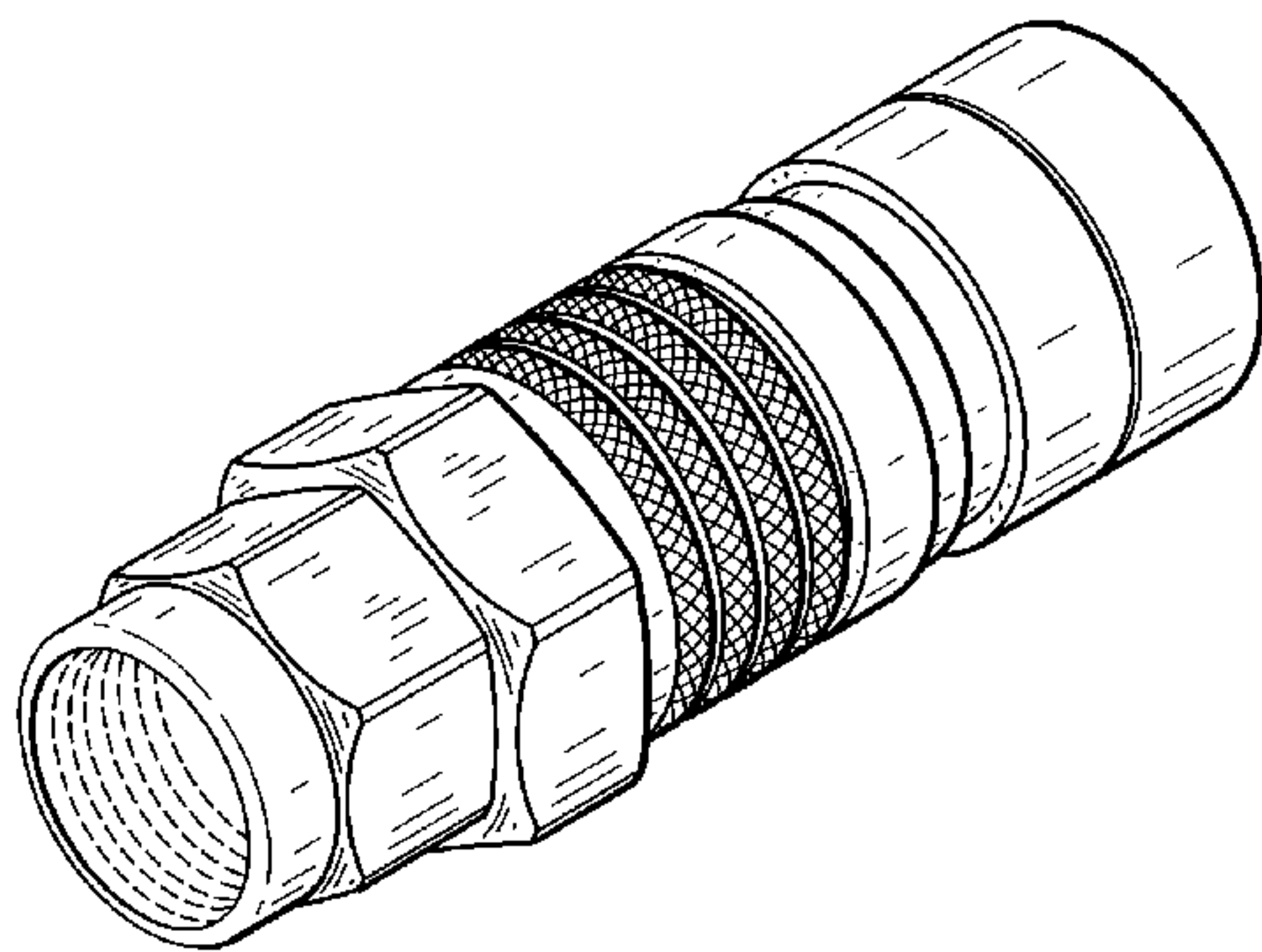


FIG. 1

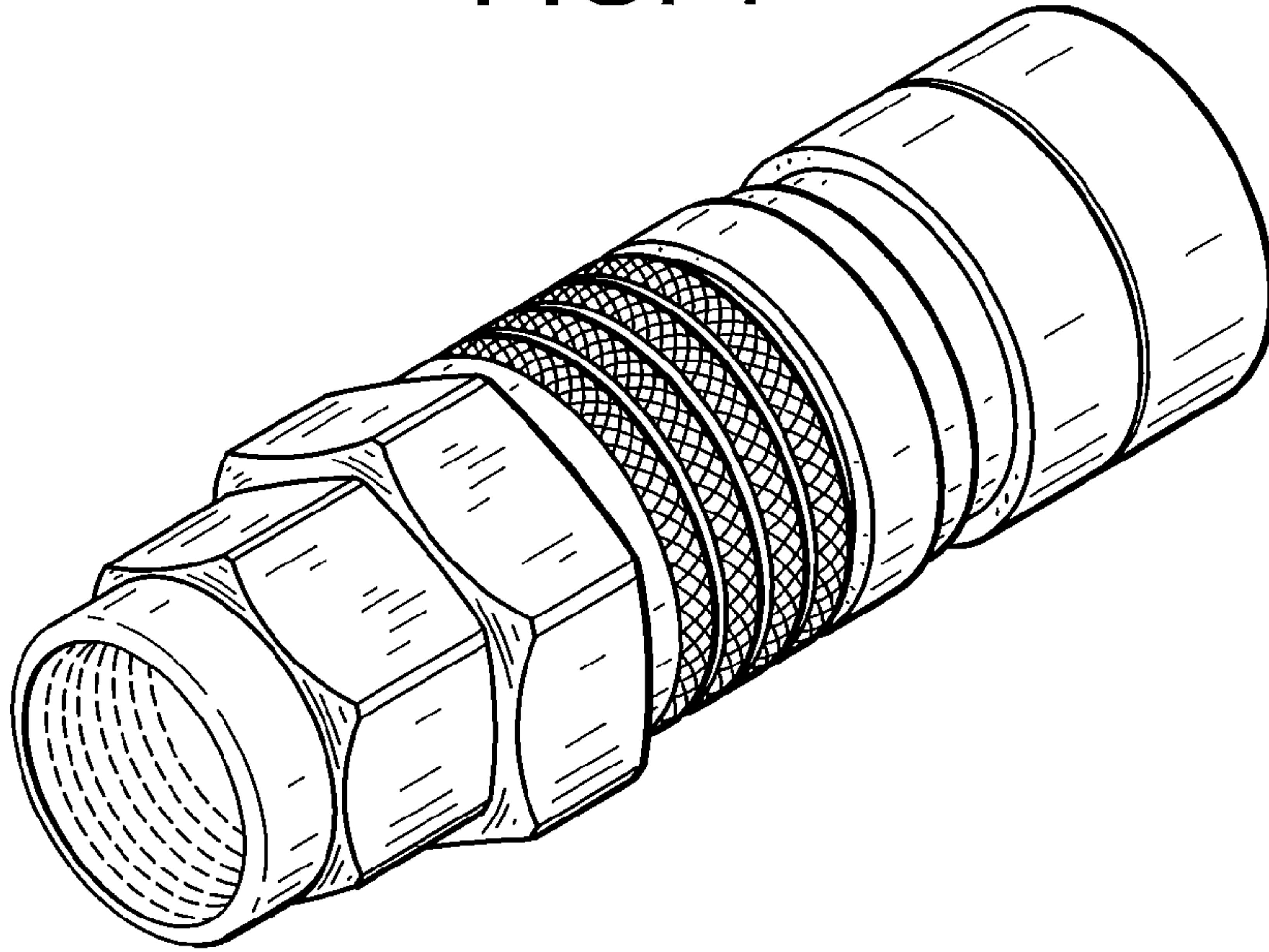


FIG. 2

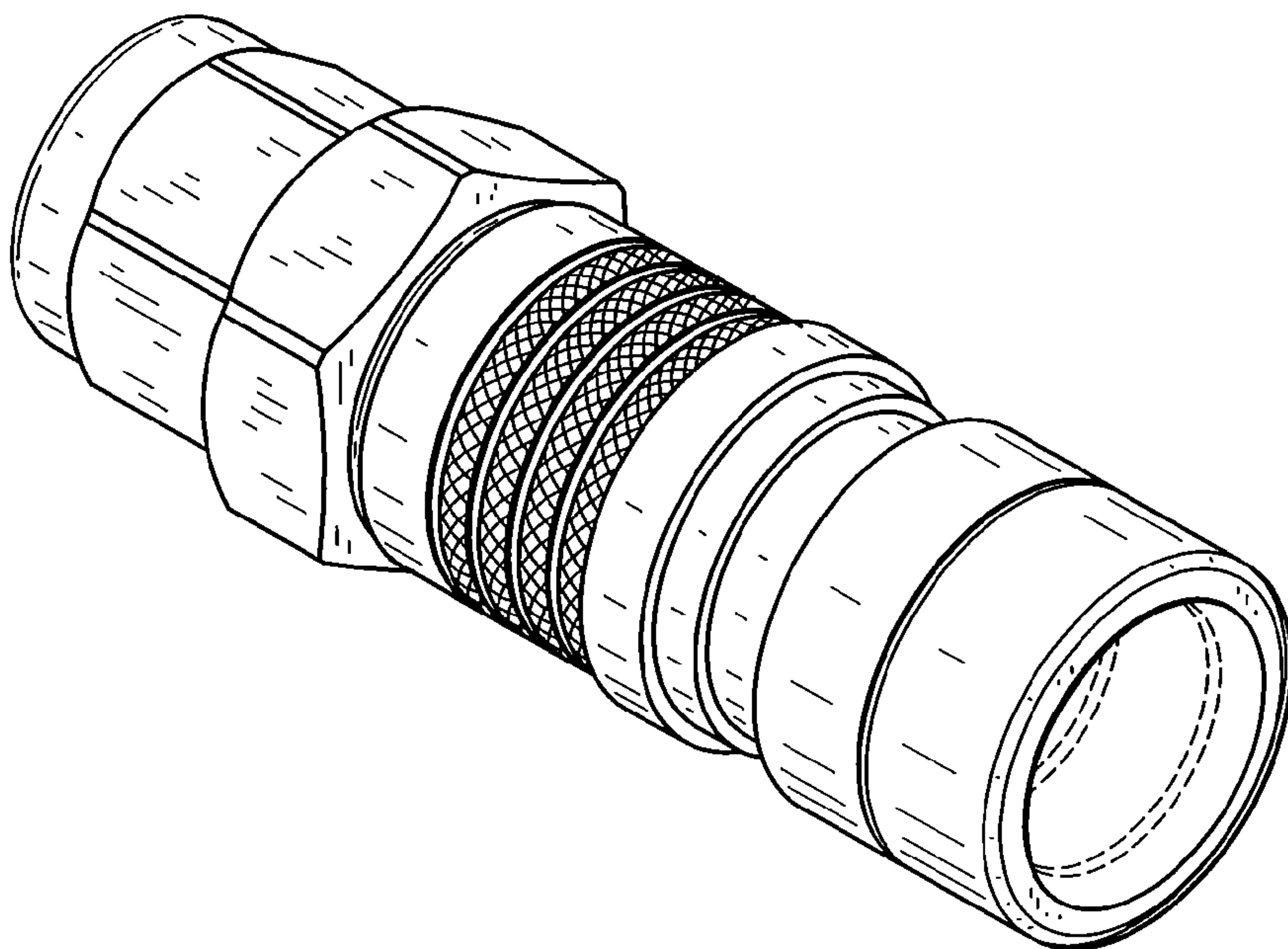


FIG. 3

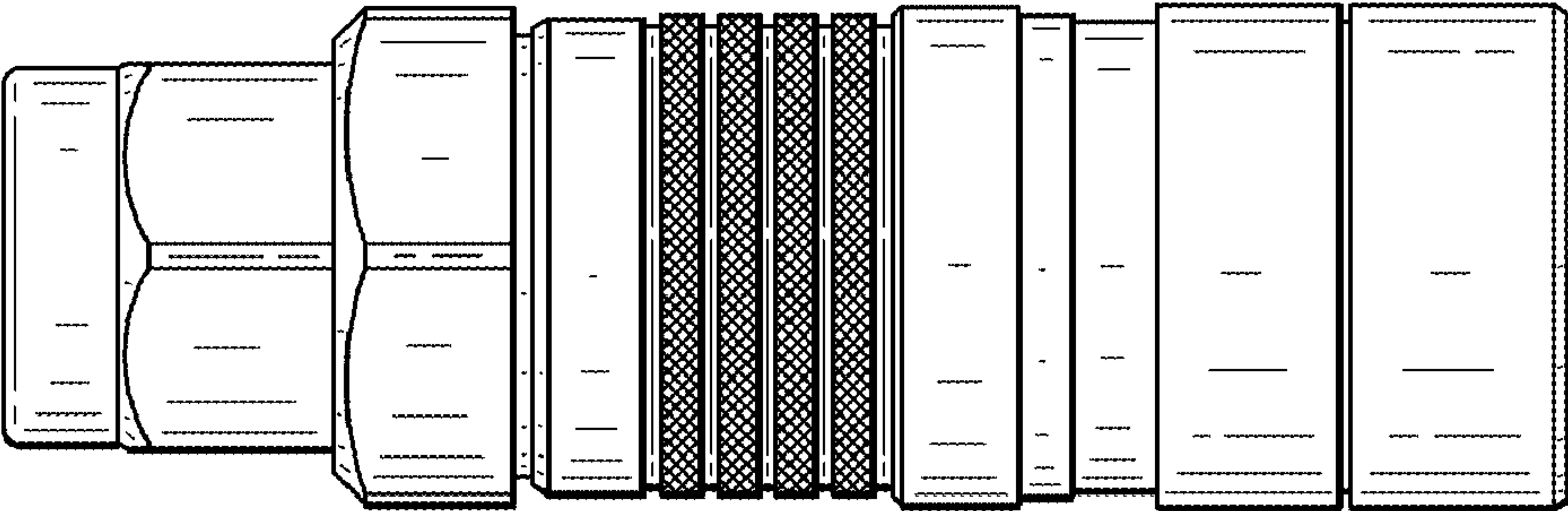


FIG. 4

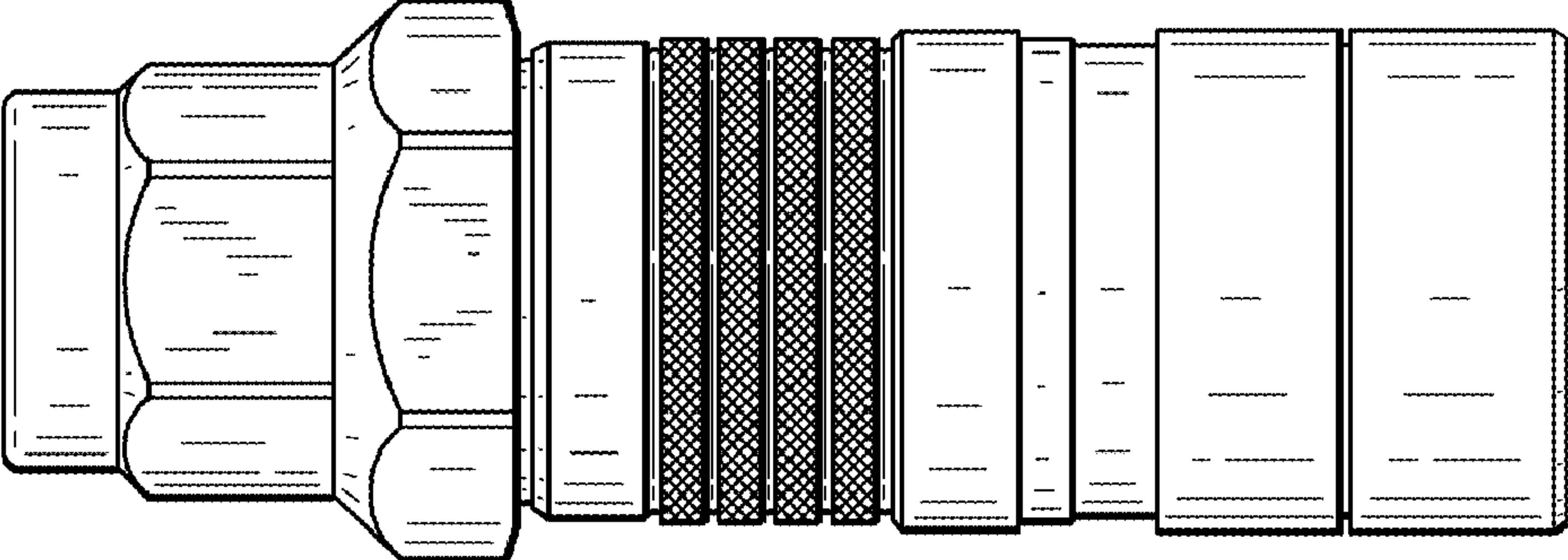


FIG. 5

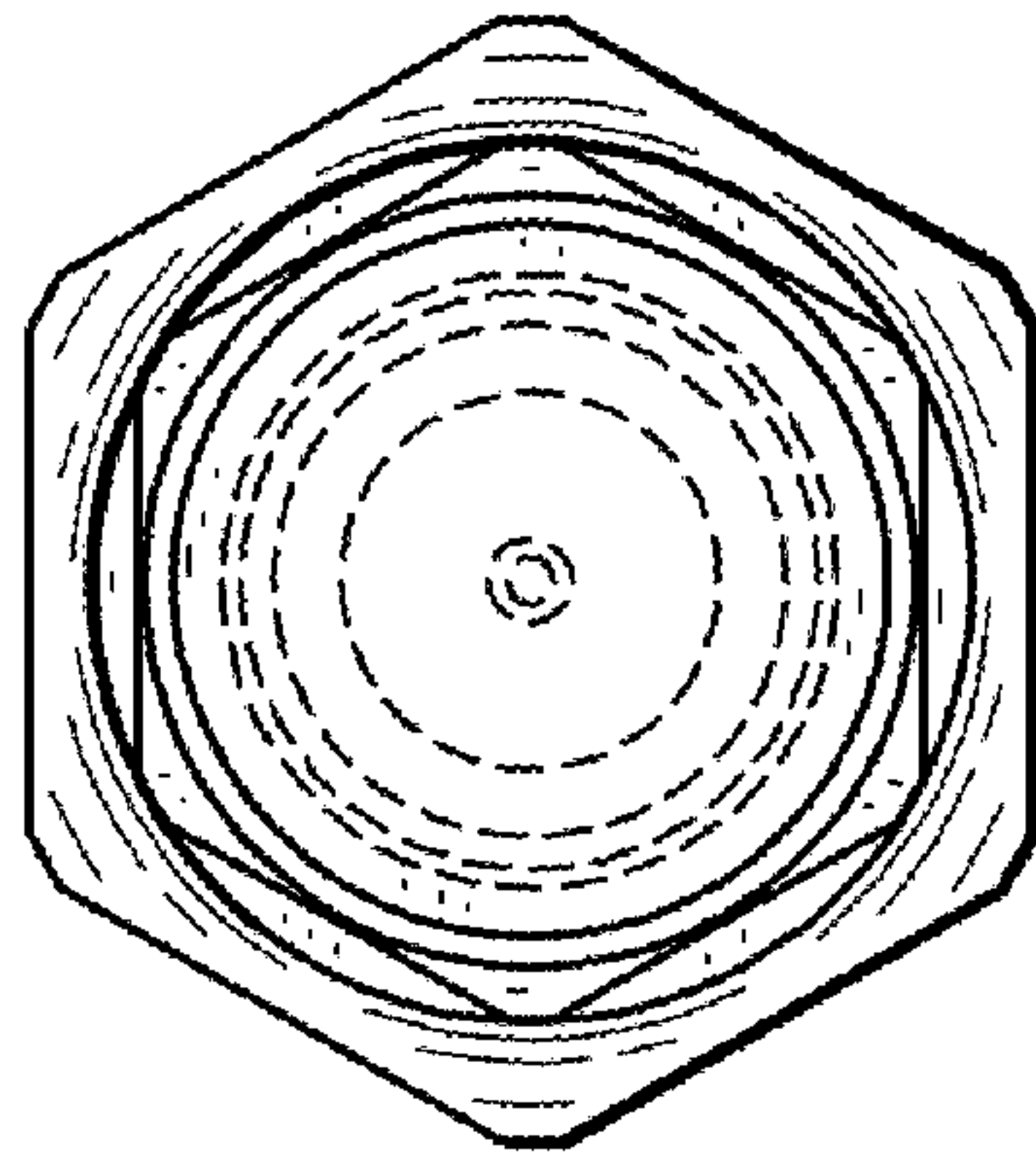


FIG. 6

