



US00D620893S

(12) **United States Design Patent**
Stock

(10) **Patent No.:** **US D620,893 S**

(45) **Date of Patent:** **** Aug. 3, 2010**

(54) **COAXIAL CONNECTOR**

(75) Inventor: **Claude Louis Stock**, Phoenix, AZ (US)

(73) Assignee: **Corning Gilbert Inc.**, Glendale, AZ (US)

(**) Term: **14 Years**

(21) Appl. No.: **29/342,474**

(22) Filed: **Aug. 26, 2009**

(51) **LOC (9) Cl.** **13-03**

(52) **U.S. Cl.** **D13/151**

(58) **Field of Classification Search** D13/133,
D13/149, 151, 153, 154, 156, 199; 439/79,
439/248, 258, 274, 350, 352, 353, 358, 359,
439/362, 378, 445, 447, 578, 584, 585, 656,
439/660, 676, 677, 678, 679, 680, 681, 682,
439/686; 411/7, 11; 426/507; 28/828; 307/10.1;
333/81 A

See application file for complete search history.

(56) **References Cited**

U.S. PATENT DOCUMENTS

4,854,893 A * 8/1989 Morris 439/578
5,785,554 A * 7/1998 Ohshiro 439/584

6,884,115 B2 * 4/2005 Malloy 439/584
7,473,128 B2 * 1/2009 Montena 439/584
D607,820 S * 1/2010 Thorner D13/133
2006/0073726 A1 * 4/2006 Montena 439/320
2010/0029131 A1 * 2/2010 Eriksien 439/578

* cited by examiner

Primary Examiner—Daniel D Bui

Assistant Examiner—Thomas J Johannes

(74) *Attorney, Agent, or Firm*—Matthew J. Mason

(57) **CLAIM**

The ornamental design for a coaxial connector, as shown and described.

DESCRIPTION

FIG. 1 is a top, side, and front perspective view of a coaxial connector showing my new design;

FIG. 2 is a top, side, and rear perspective view thereof;

FIG. 3 is a top plain view thereof;

FIG. 4 is a right elevational view thereof;

FIG. 5 is a front end view thereof; and,

FIG. 6 is a rear end view thereof.

1 Claim, 3 Drawing Sheets

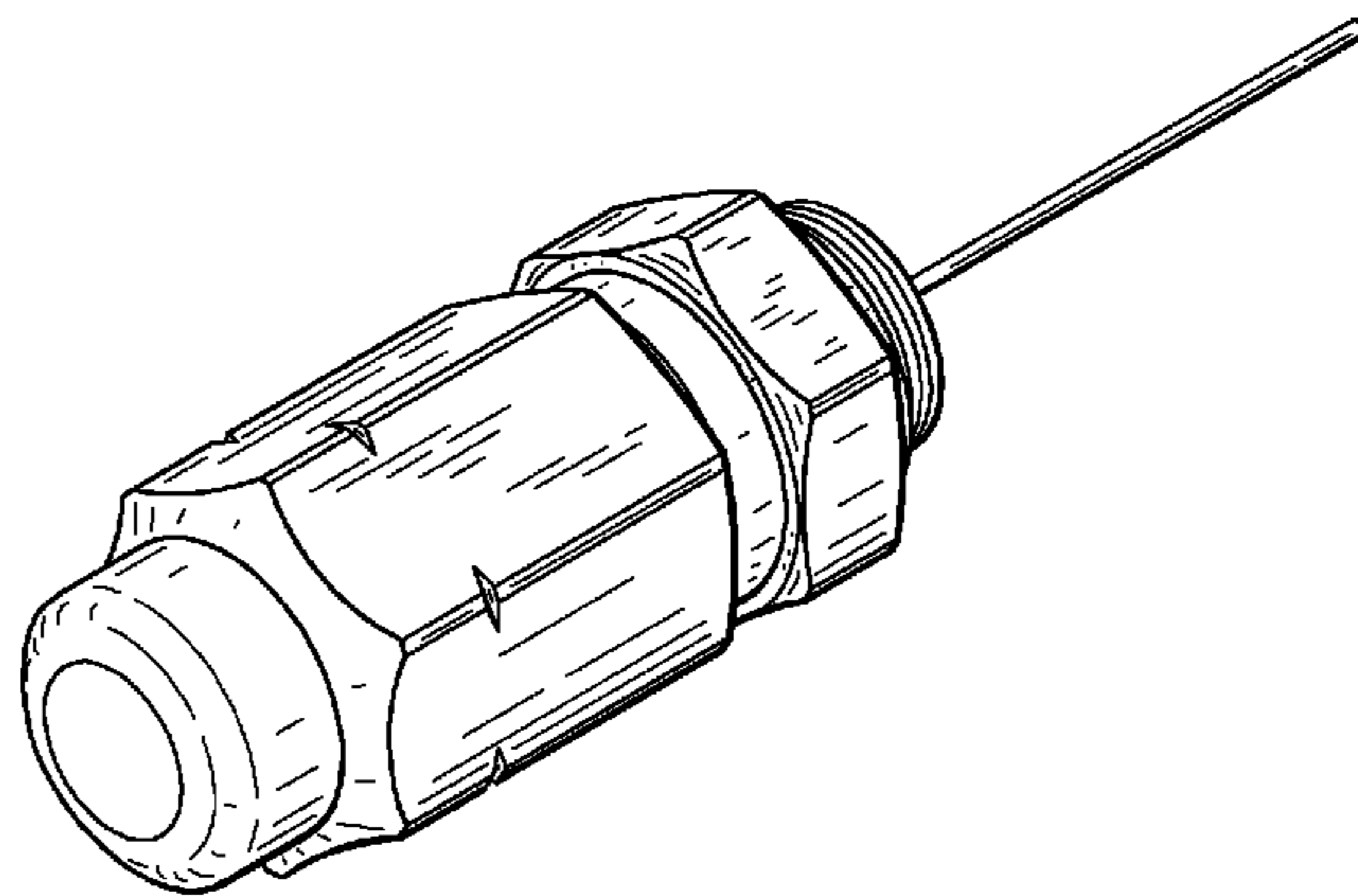
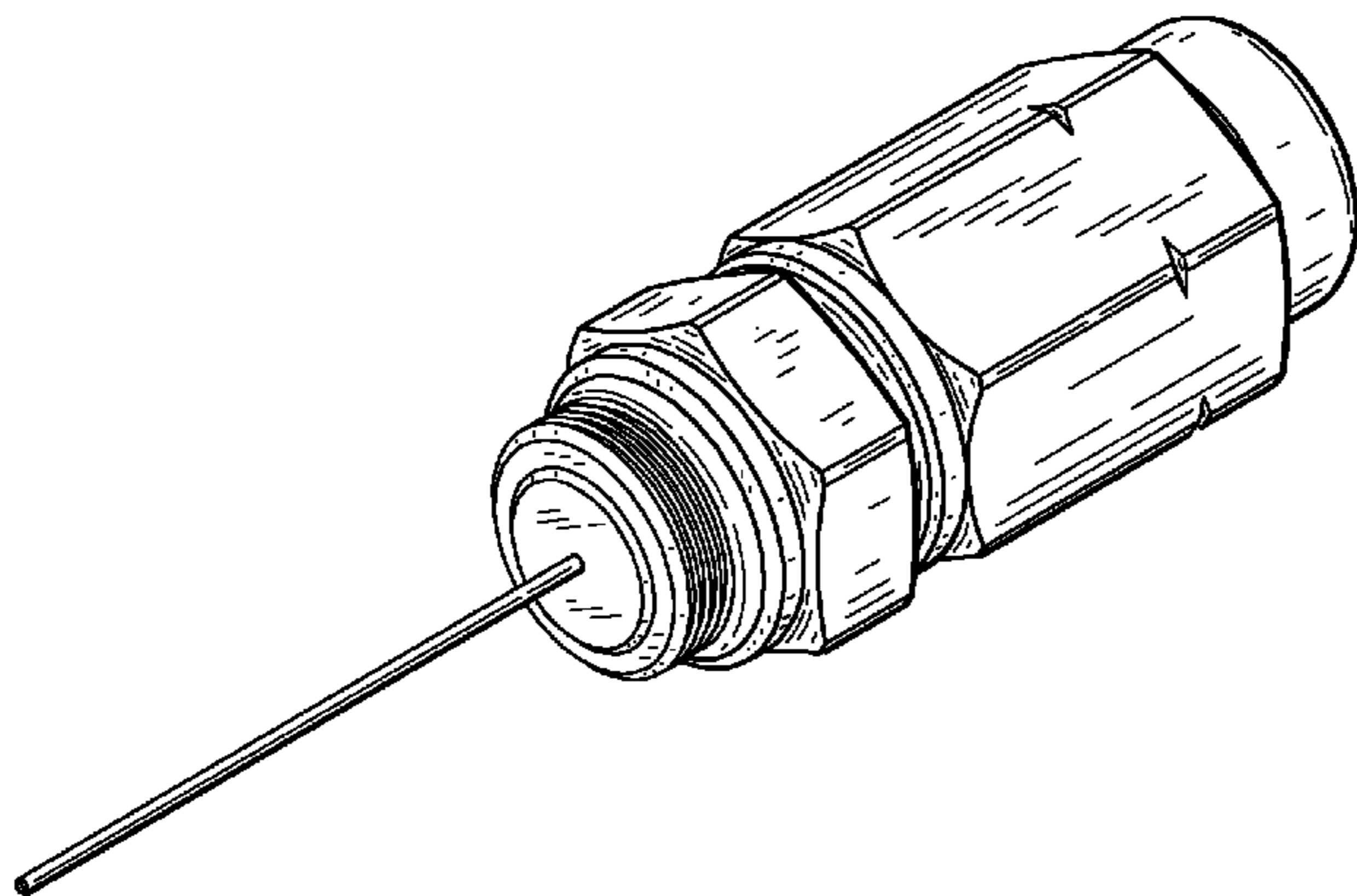


FIG. 1

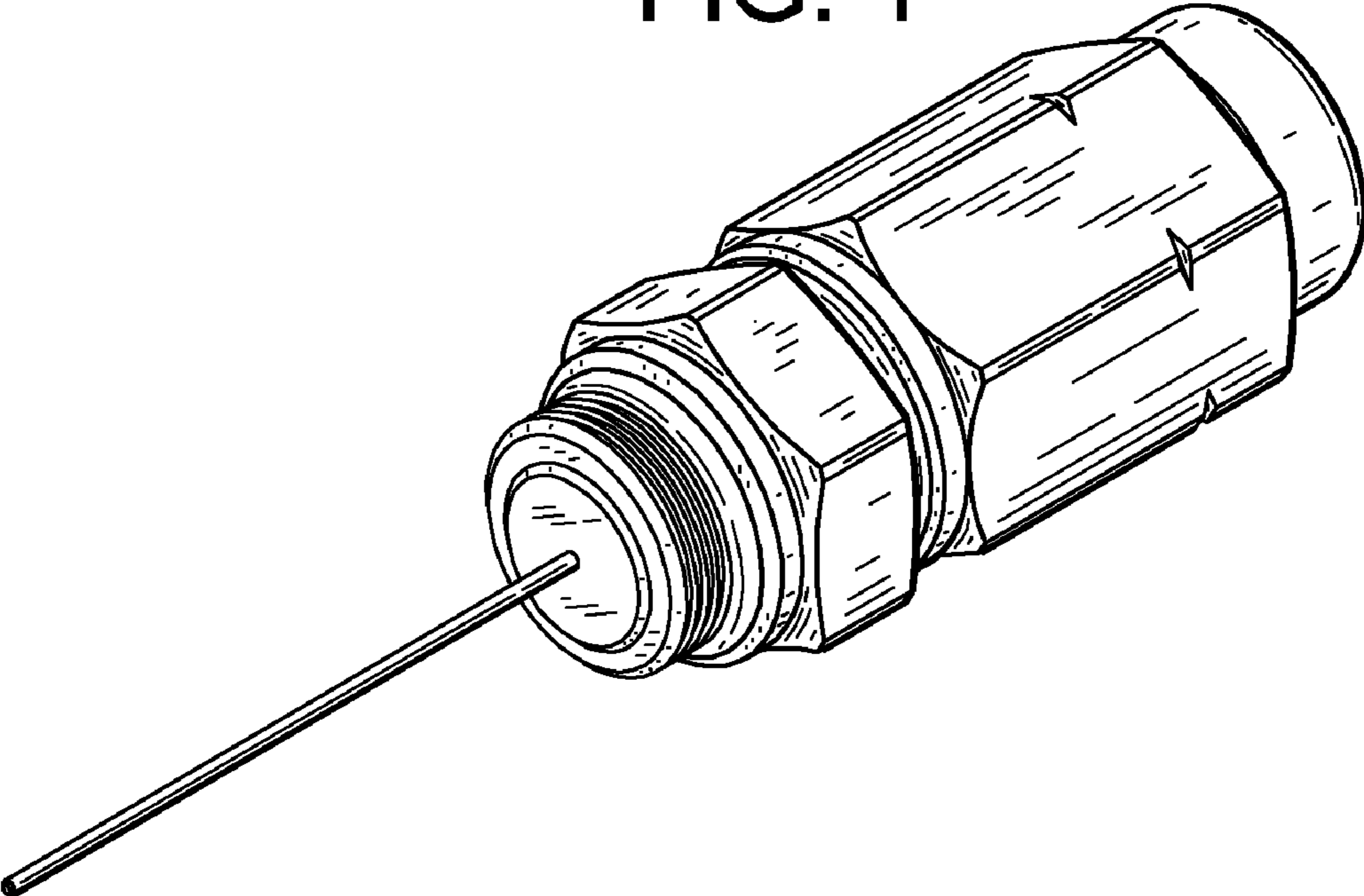


FIG. 2

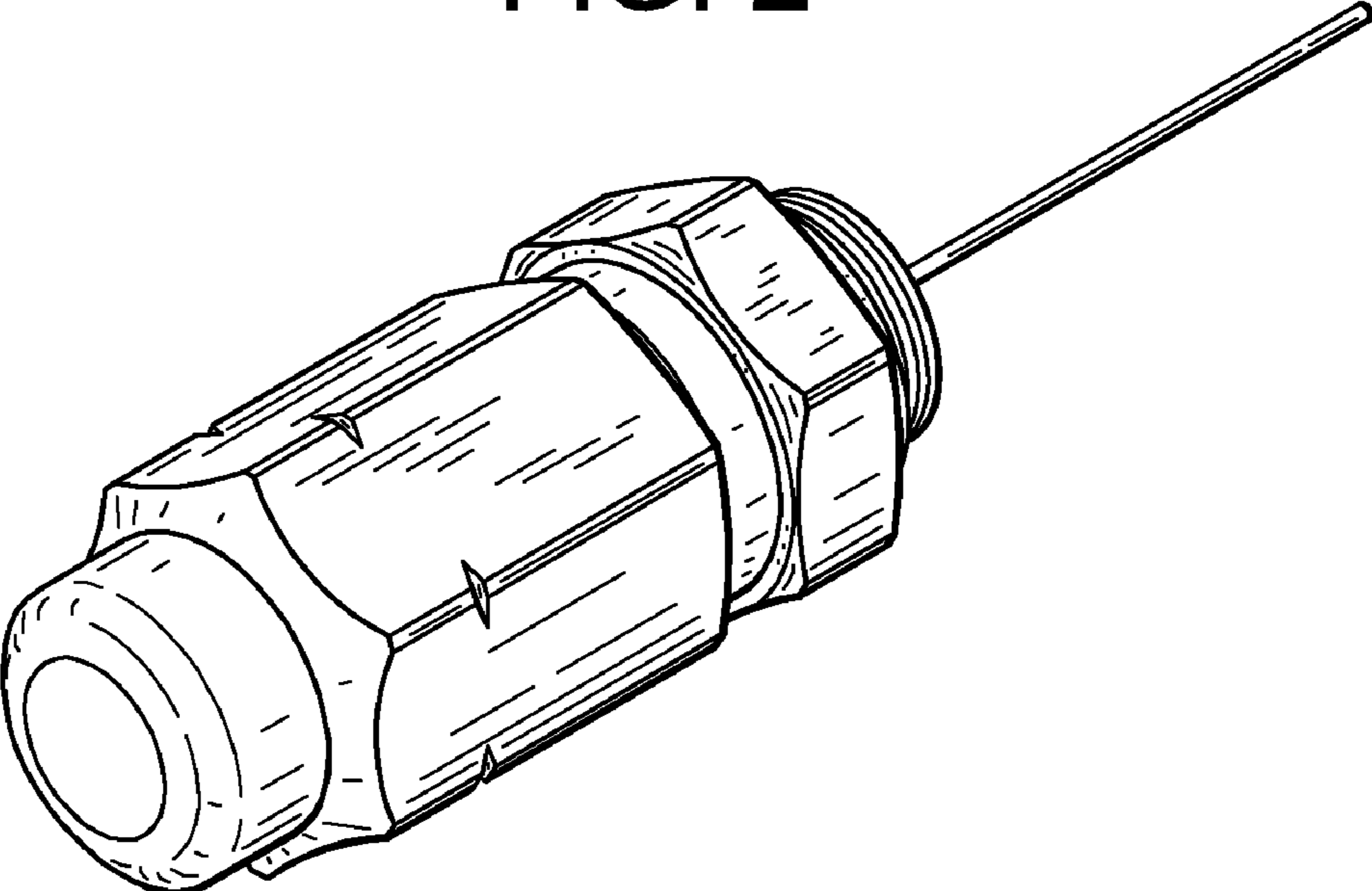


FIG. 3

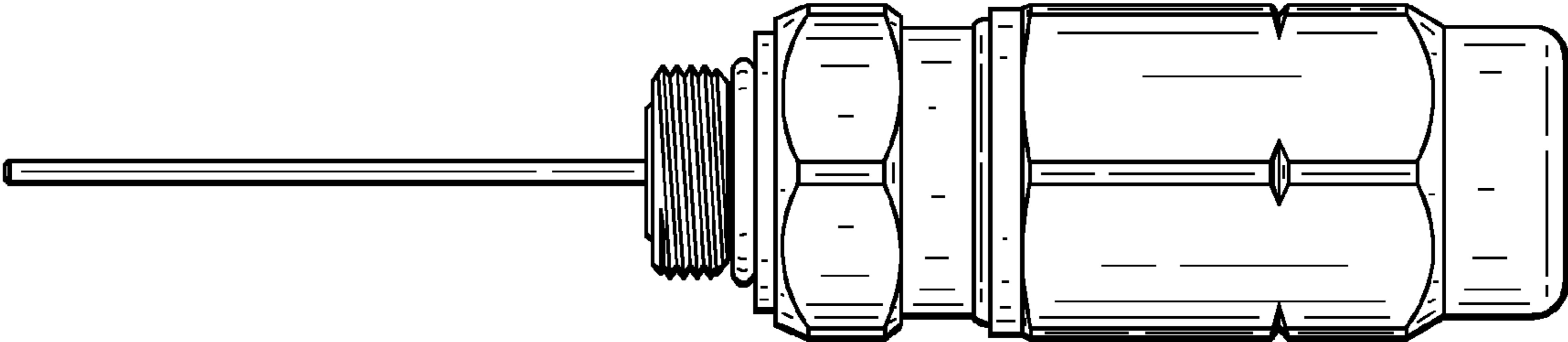


FIG. 4

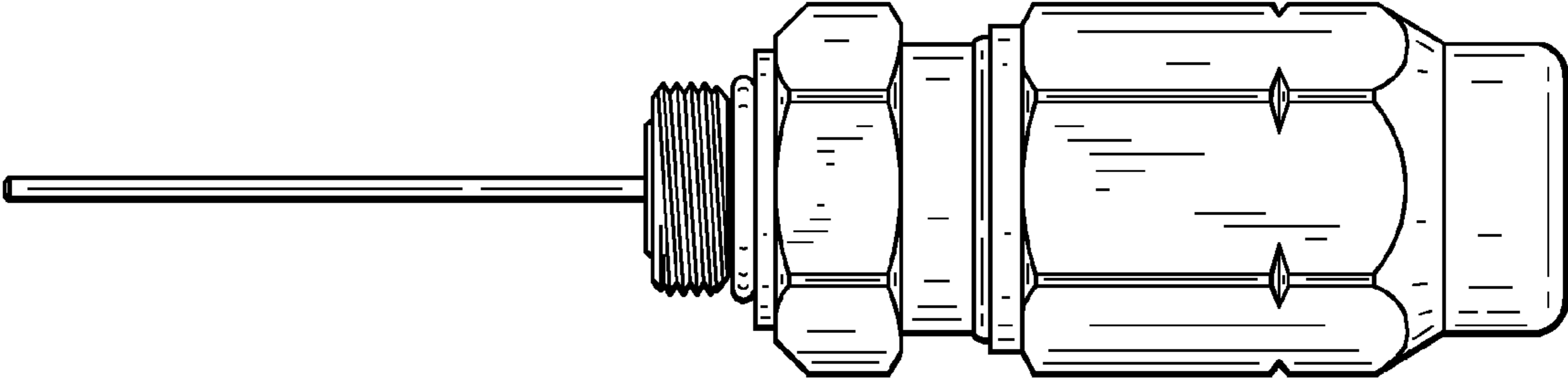


FIG. 5

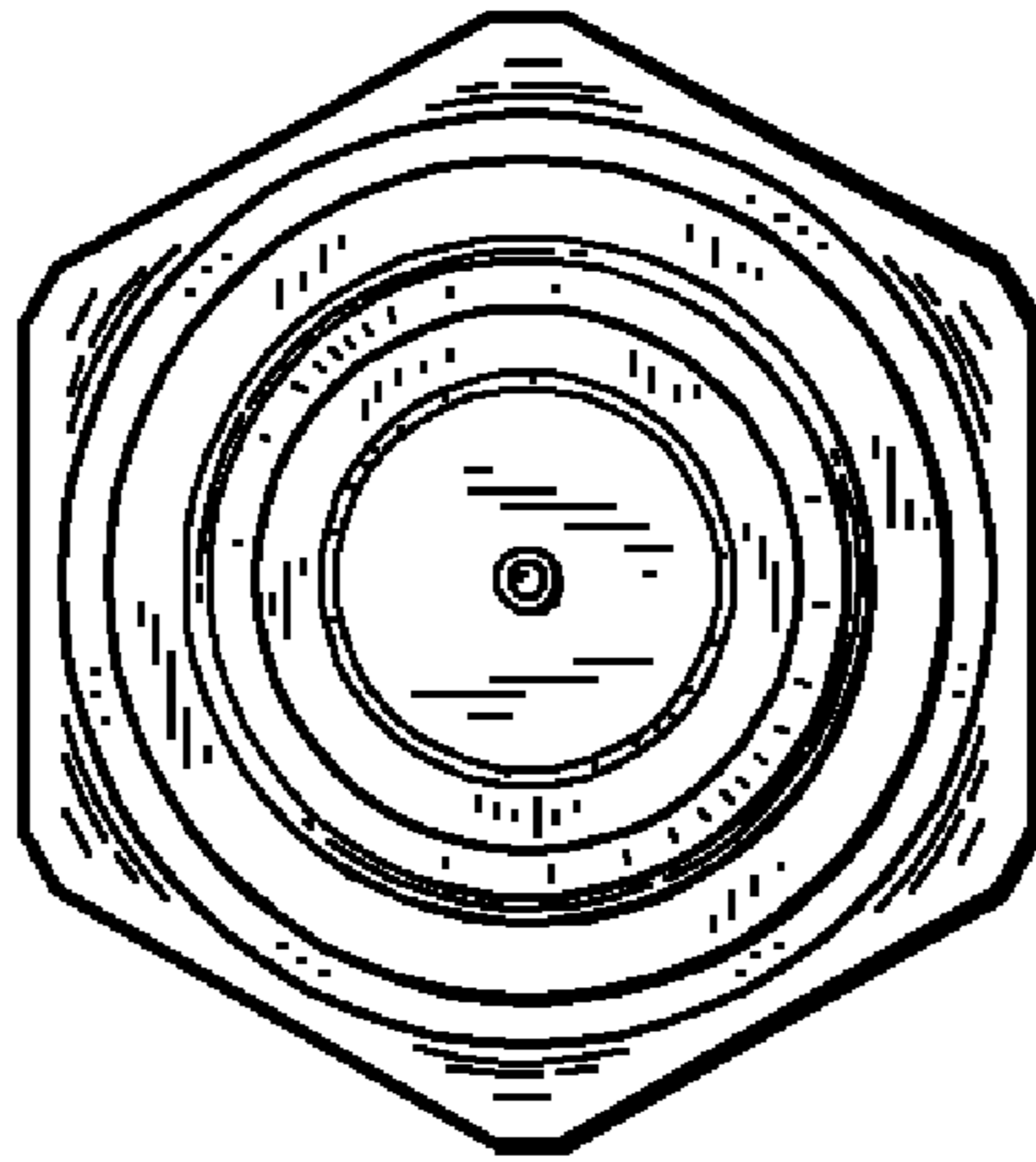


FIG. 6

