



US00D620892S

(12) **United States Design Patent**  
**Sasaki et al.**

(10) **Patent No.:** **US D620,892 S**

(45) **Date of Patent:** **\*\* Aug. 3, 2010**

(54) **ELECTRICAL CONNECTOR**

(75) Inventors: **Daisuke Sasaki**, Isesaki (JP); **Junichi Arai**, Isesaki (JP)

(73) Assignee: **Hosiden Corporation**, Osaka (JP)

(\*\*) Term: **14 Years**

(21) Appl. No.: **29/354,873**

(22) Filed: **Jan. 29, 2010**

(30) **Foreign Application Priority Data**

Jul. 31, 2009 (JP) ..... 2009-017558  
Jul. 31, 2009 (JP) ..... 2009-017559

(51) **LOC (9) Cl.** ..... **13-03**

(52) **U.S. Cl.** ..... **D13/147**

(58) **Field of Classification Search** ..... D13/147,  
D13/154, 184; 439/79, 108, 378, 567, 607-610,  
439/668, 680

See application file for complete search history.

(56) **References Cited**

**U.S. PATENT DOCUMENTS**

D553,090 S \* 10/2007 Lai et al. .... D13/147  
D584,232 S \* 1/2009 Su et al. .... D13/147  
D586,754 S \* 2/2009 Yuan et al. .... D13/147  
D598,390 S \* 8/2009 Sun et al. .... D13/147

**FOREIGN PATENT DOCUMENTS**

JP D1380625 2/2010

\* cited by examiner

*Primary Examiner*—Daniel D Bui  
(74) *Attorney, Agent, or Firm*—Rankin, Hill & Clark LLP

(57) **CLAIM**

The ornamental design for an electrical connector, as shown and described.

**DESCRIPTION**

FIG. 1 is a front, right side and top perspective view of an electrical connector in accordance with a first embodiment of our new design;

FIG. 2 is a rear, left side and bottom perspective view thereof;

FIG. 3 is a front elevation view thereof;

FIG. 4 is a rear elevation view thereof;

FIG. 5 is a left side view thereof, a right side view being a mirror image thereof;

FIG. 6 is a top plan view thereof;

FIG. 7 is a bottom plan view thereof;

FIG. 8 is a front, right side and top perspective view of an electrical connector in accordance with a second embodiment of our new design;

FIG. 9 is a rear, left side and bottom perspective view thereof;

FIG. 10 is a front elevation view thereof;

FIG. 11 is a rear elevation view thereof;

FIG. 12 is a left side view thereof, a right side view being a mirror image thereof;

FIG. 13 is a top plan view thereof; and,

FIG. 14 is a bottom plan view thereof.

**1 Claim, 8 Drawing Sheets**

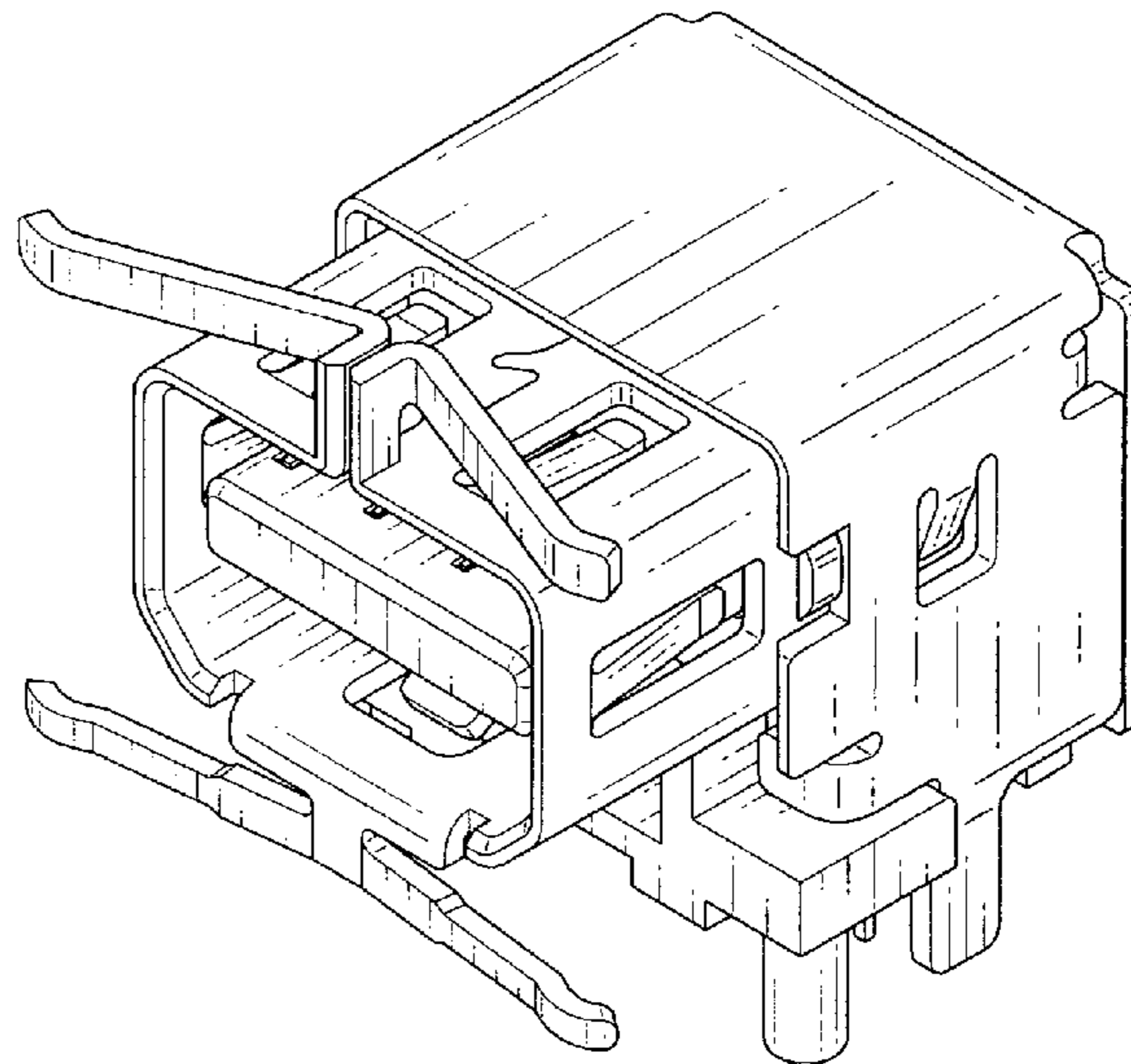
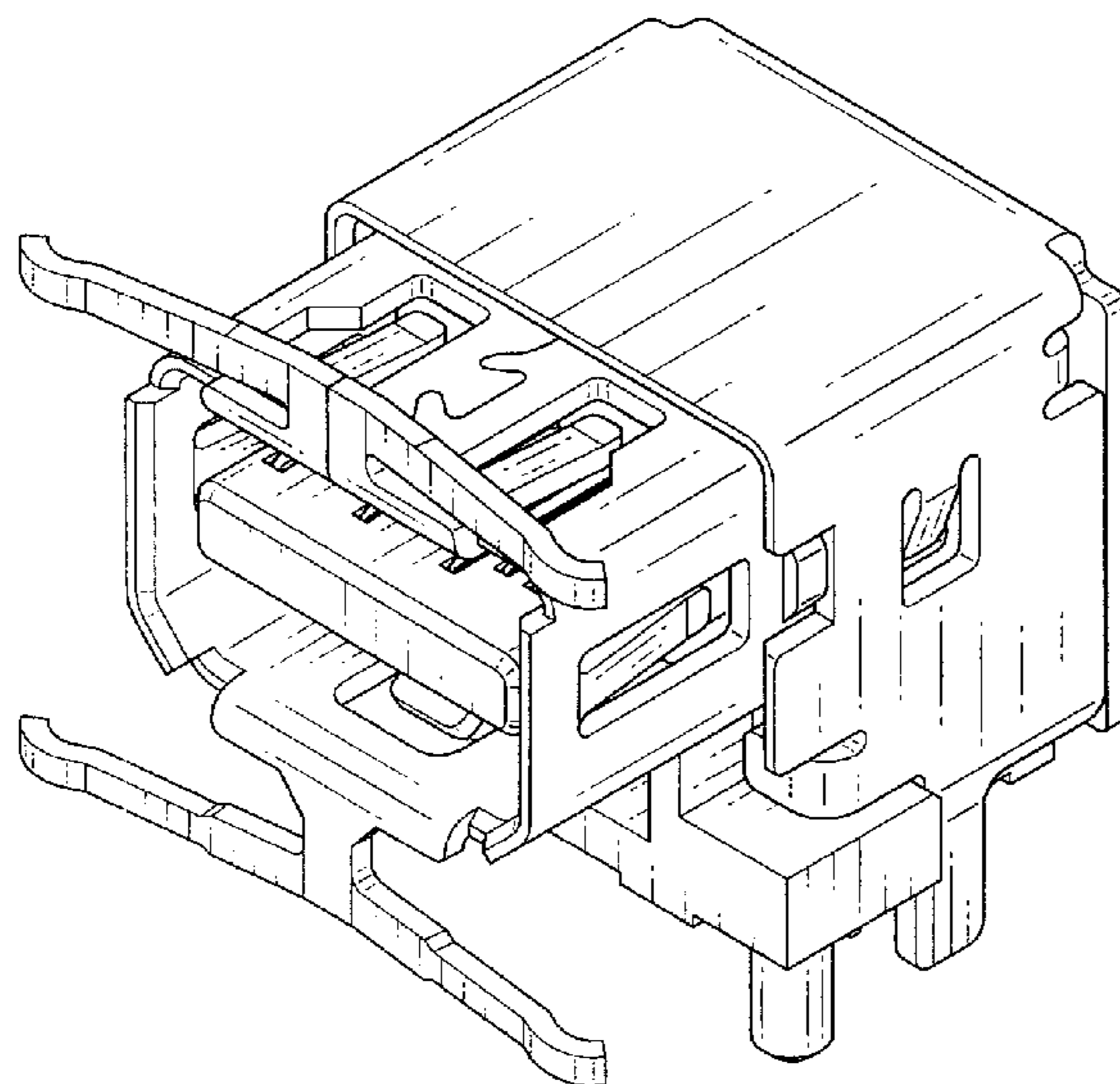


Fig. 1

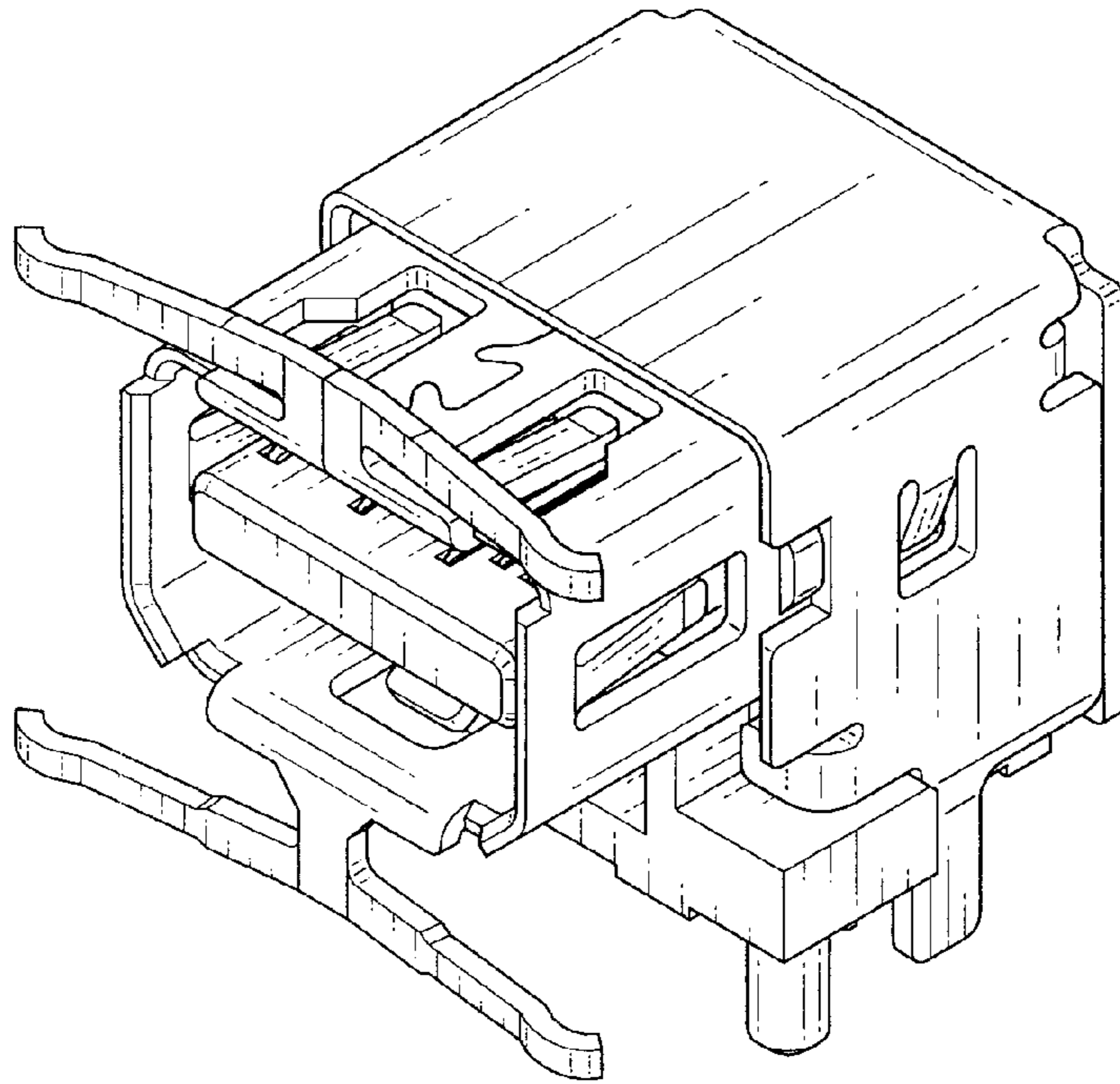


Fig. 2

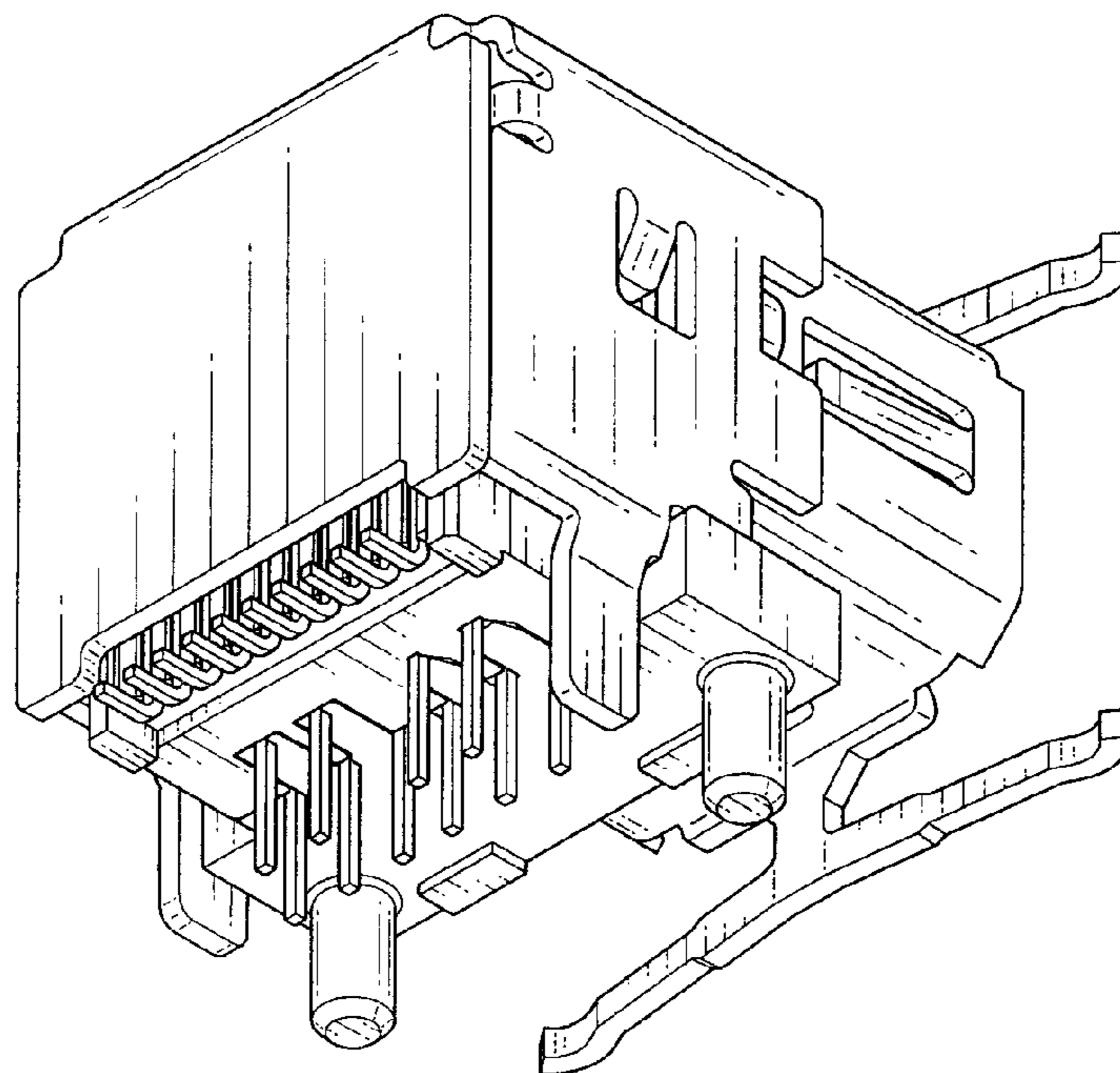


Fig. 3

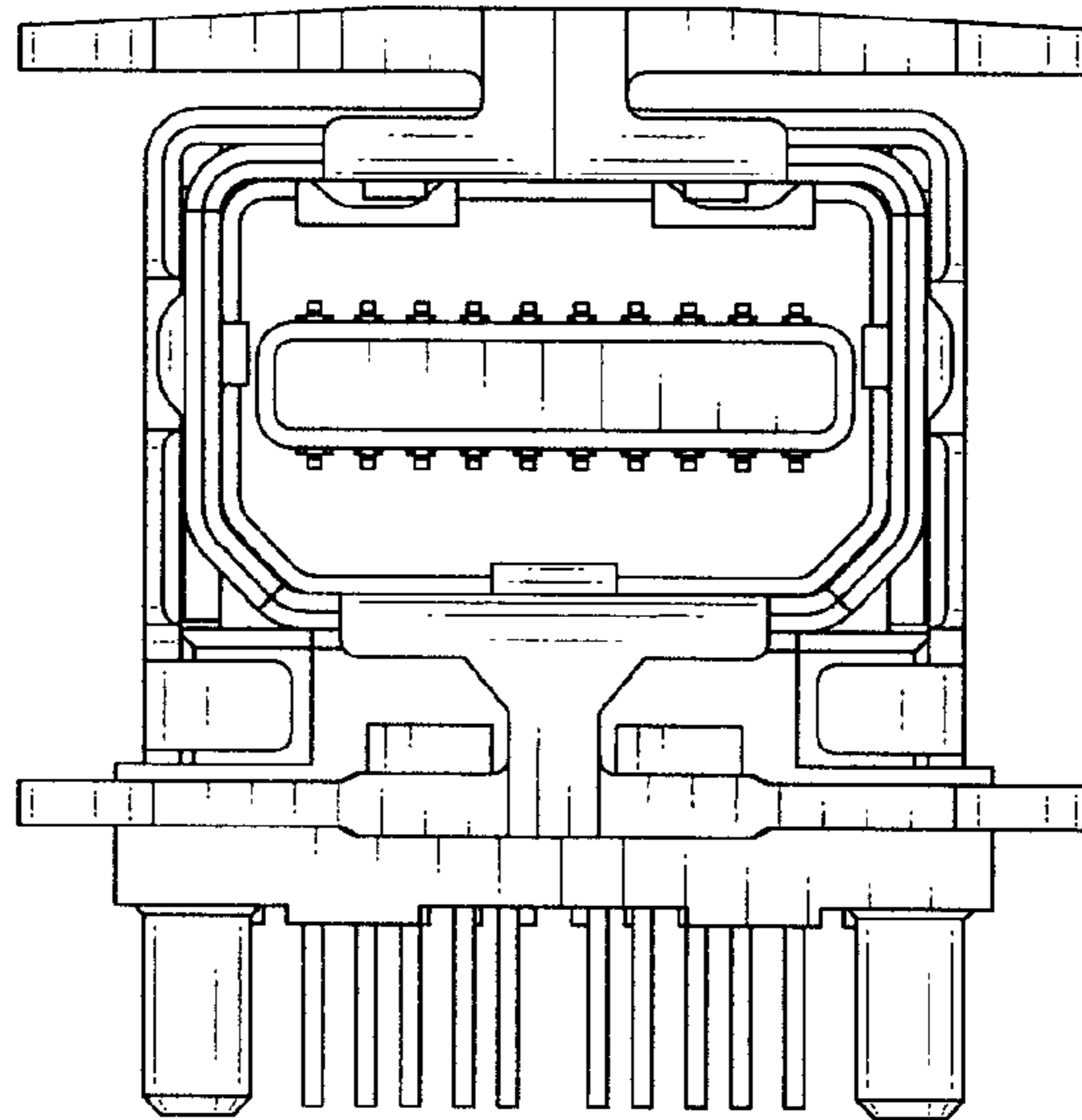


Fig. 4

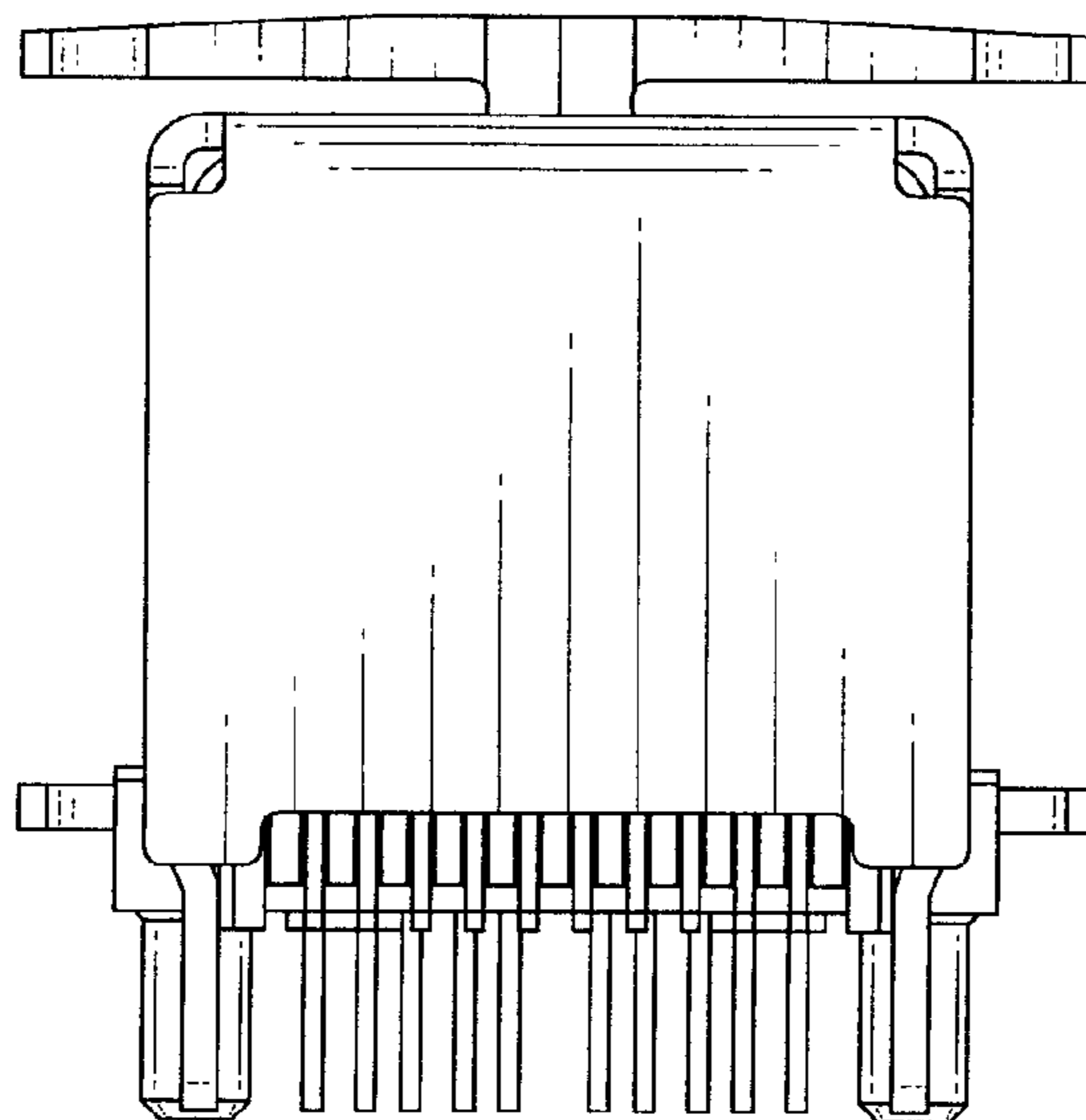


Fig. 5

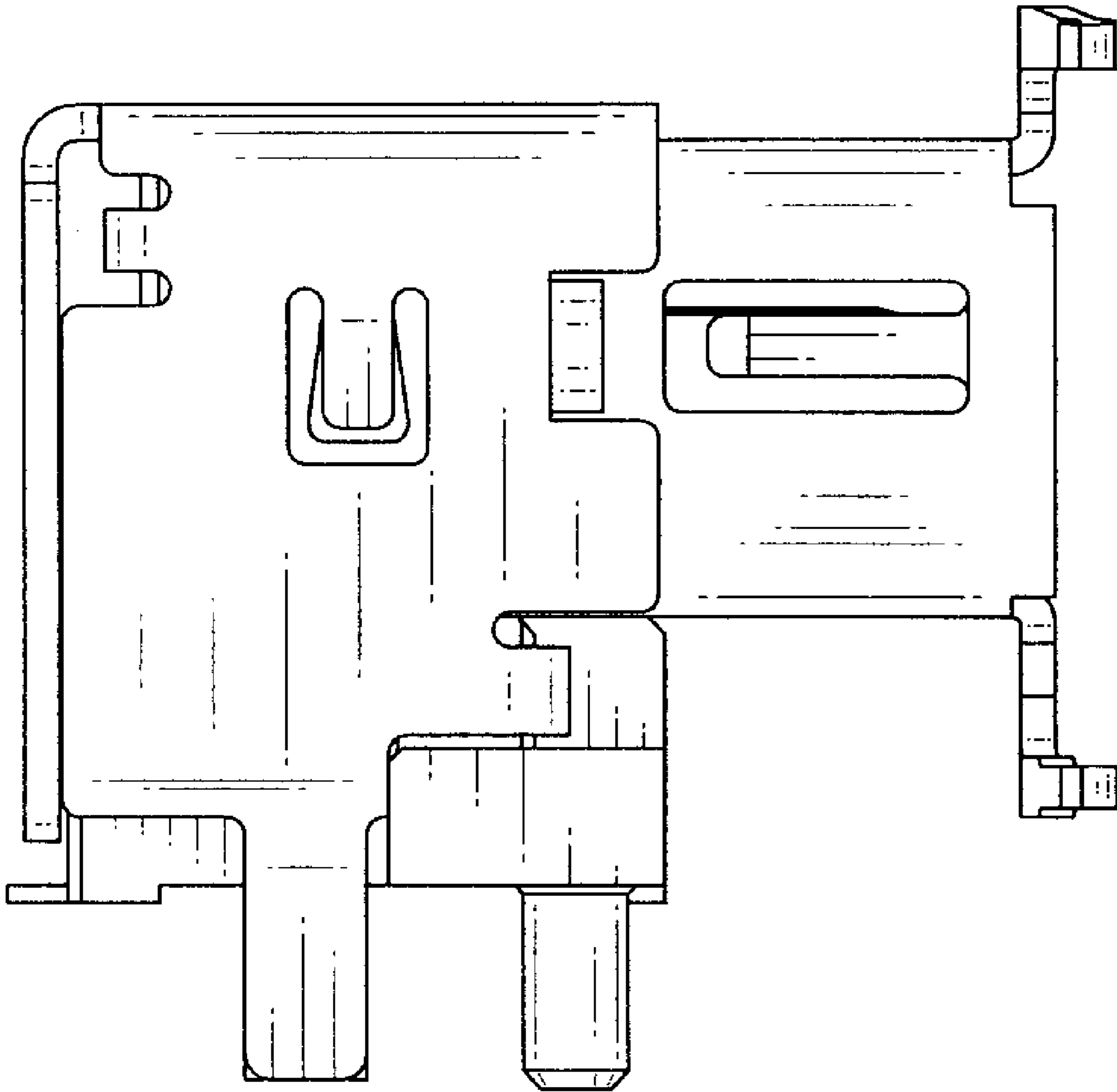


Fig. 6

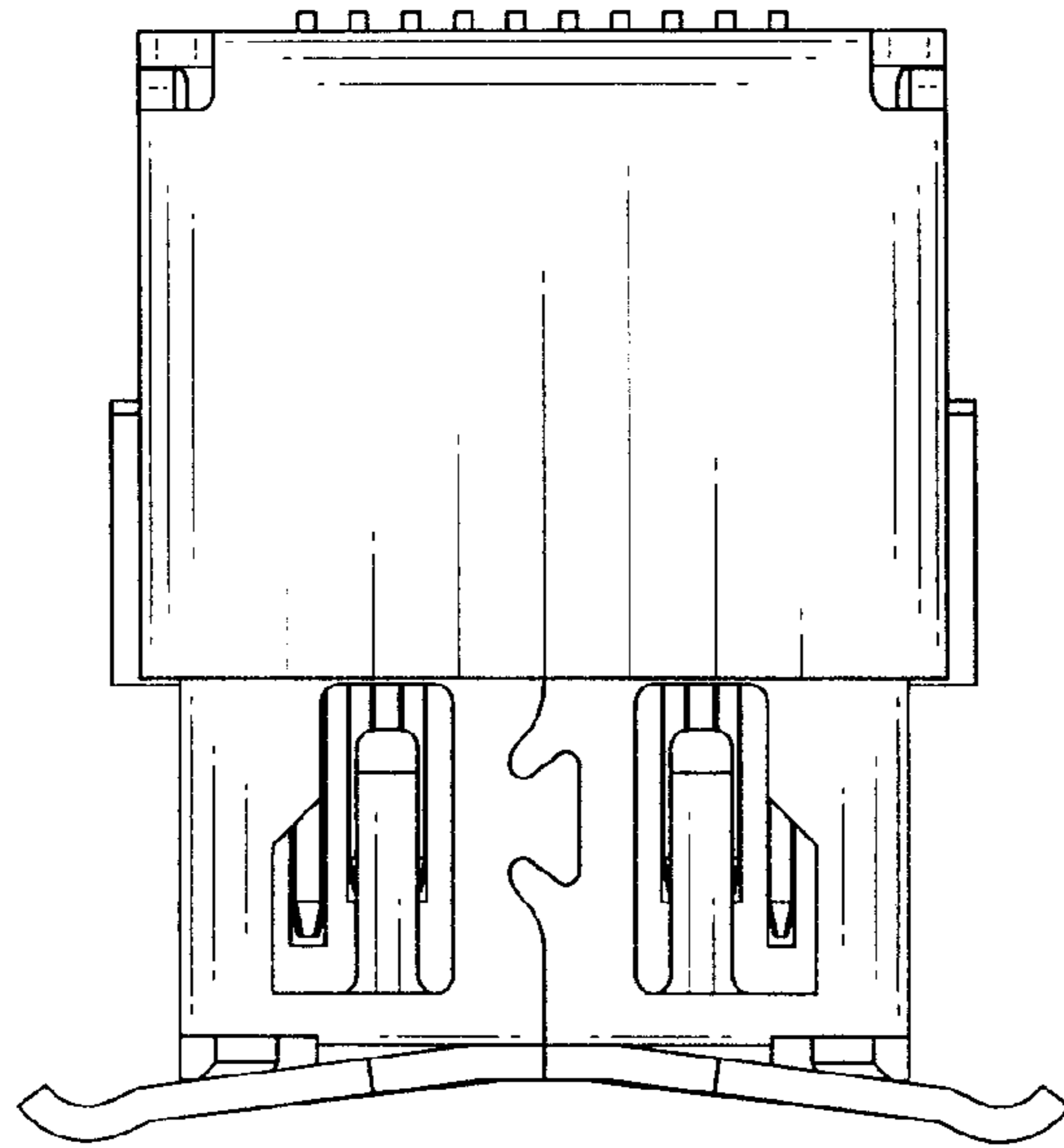


Fig. 7

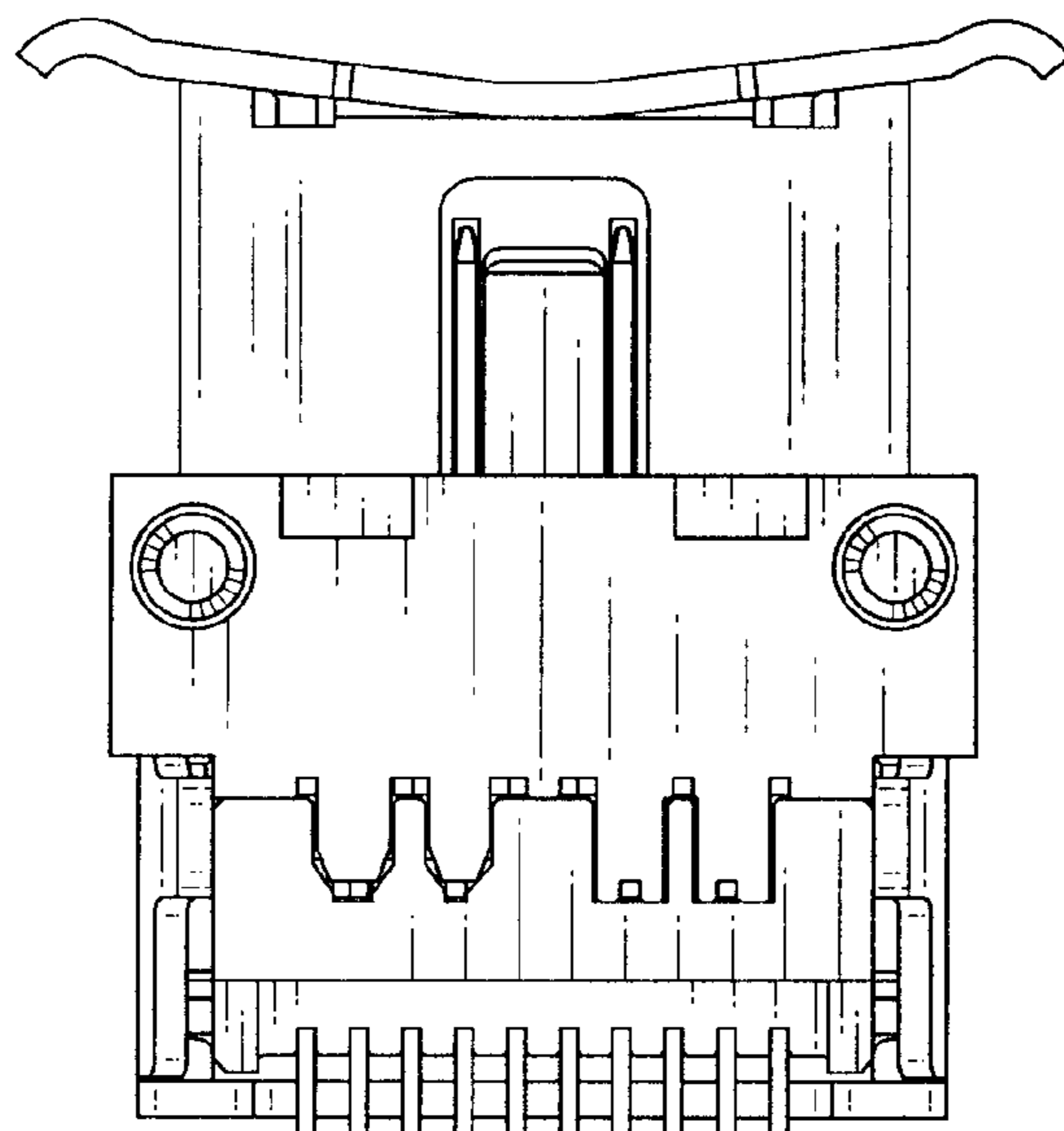




Fig. 8

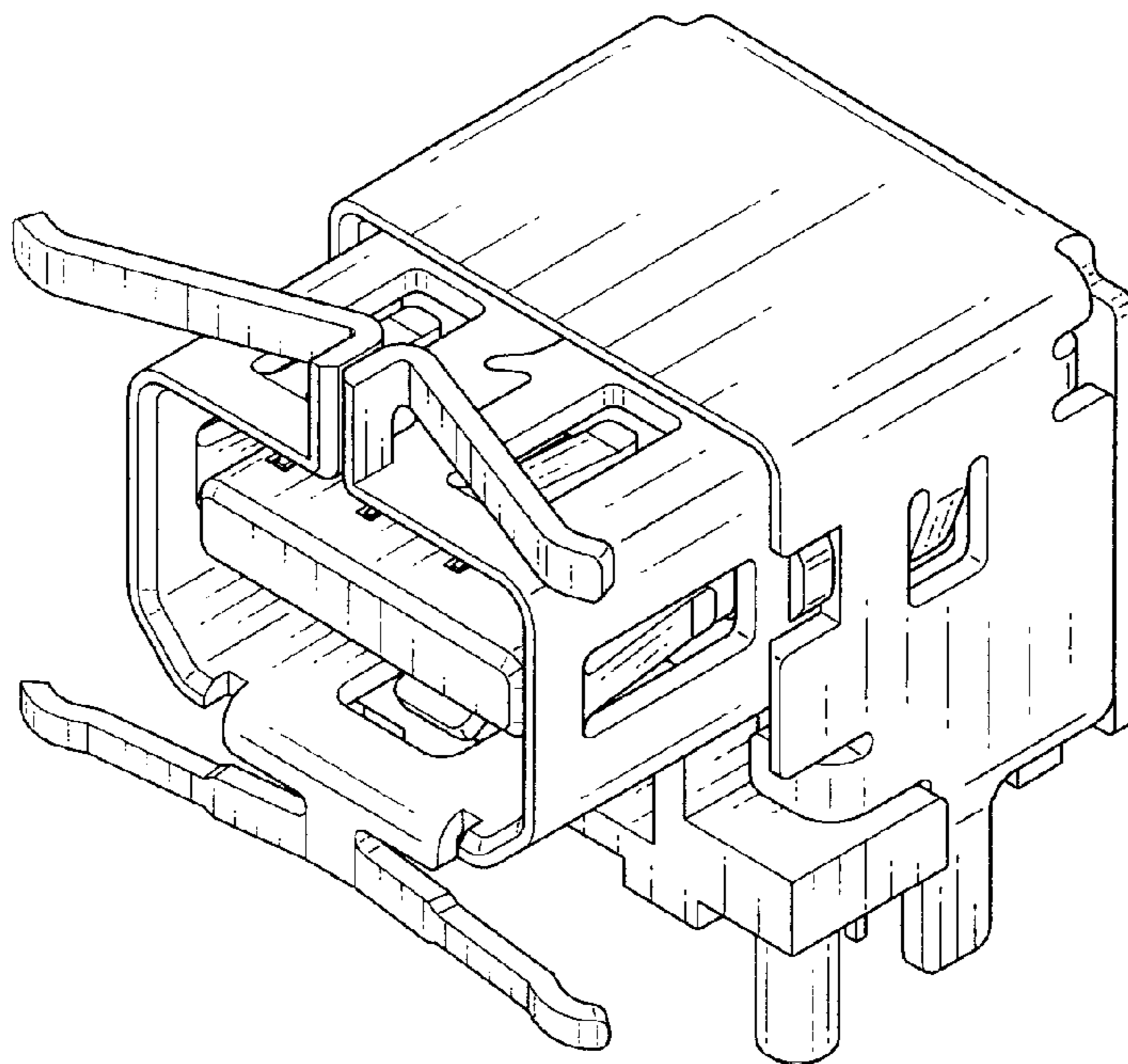


Fig. 9

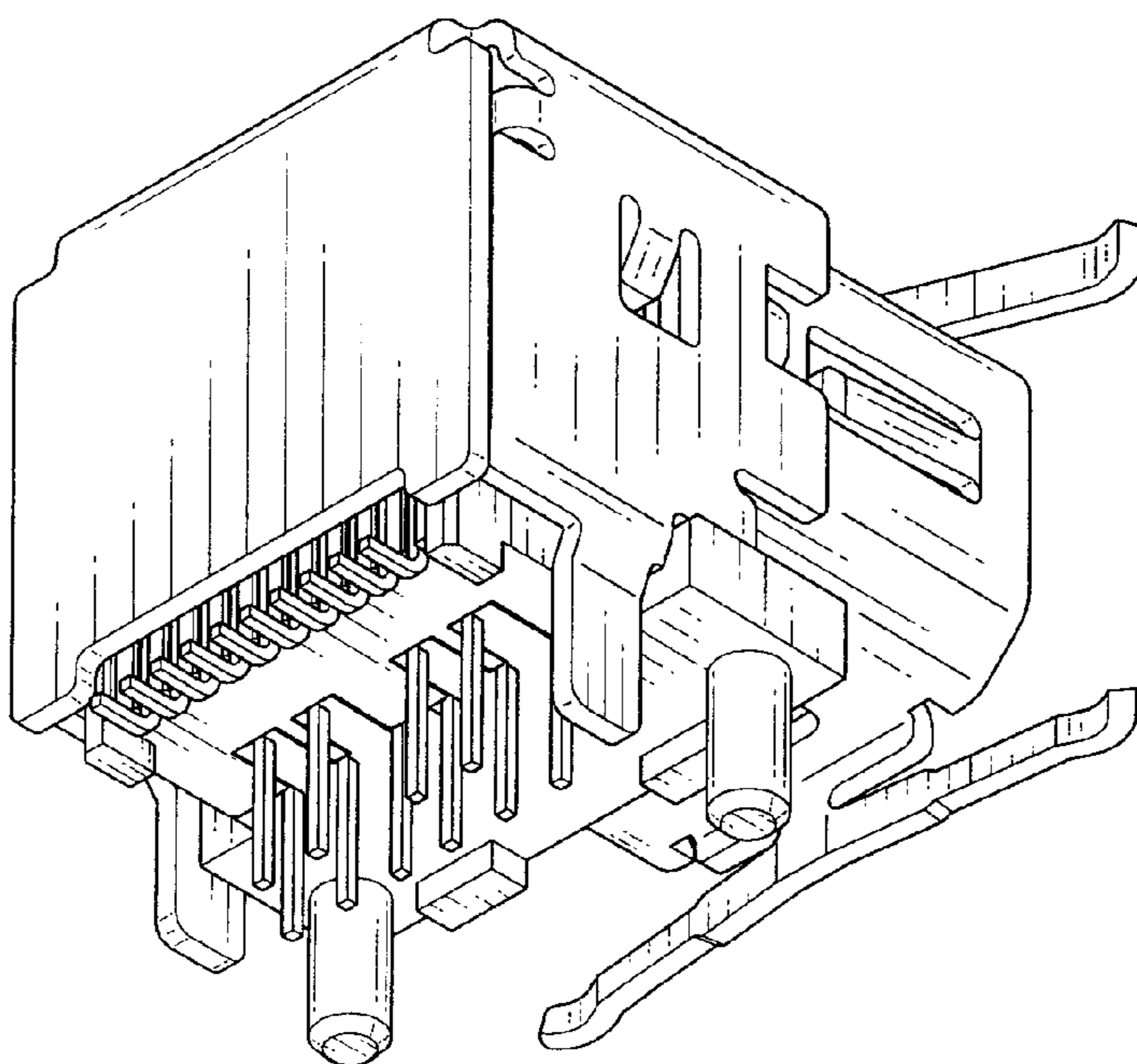


Fig. 10

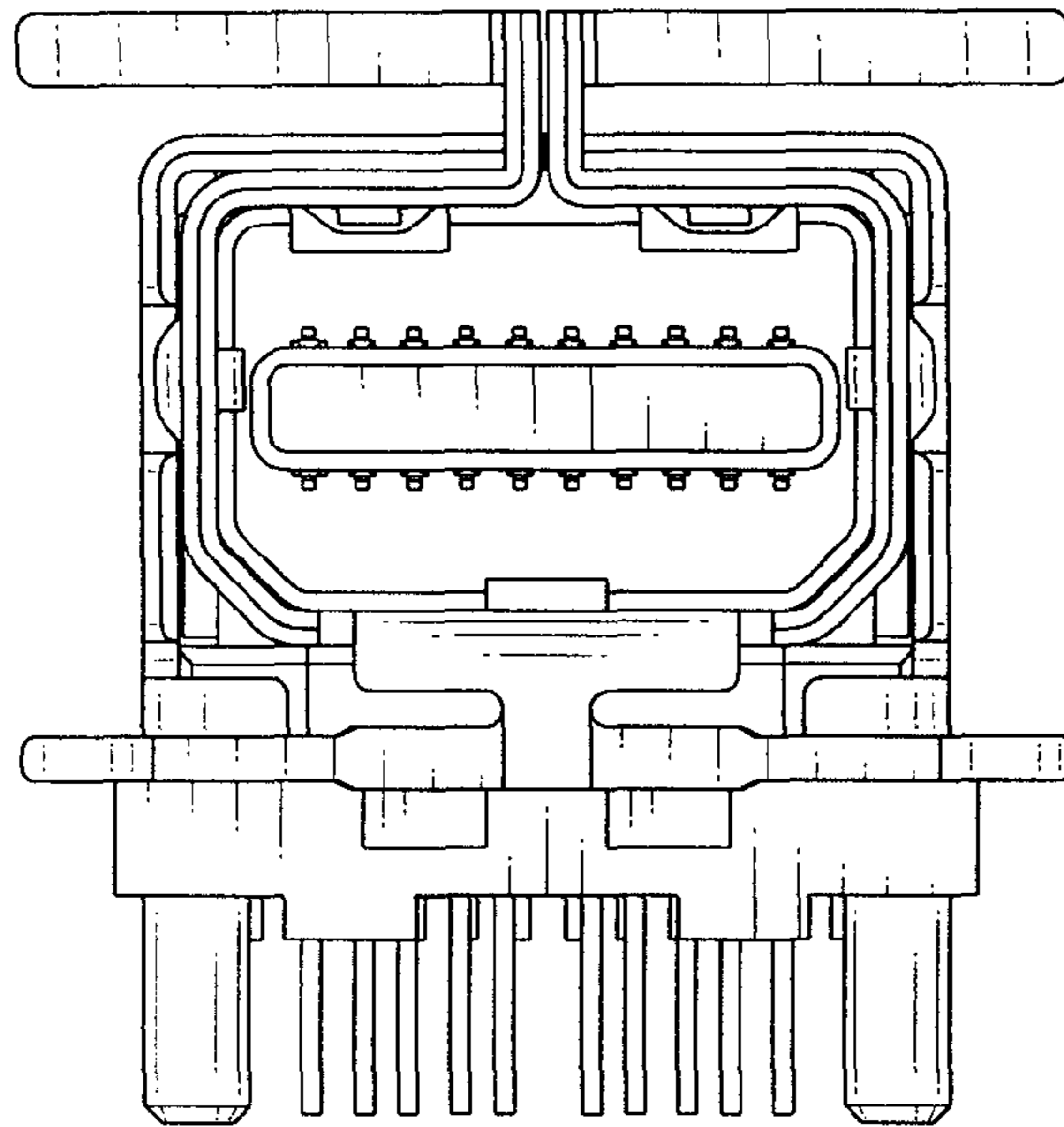


Fig. 11

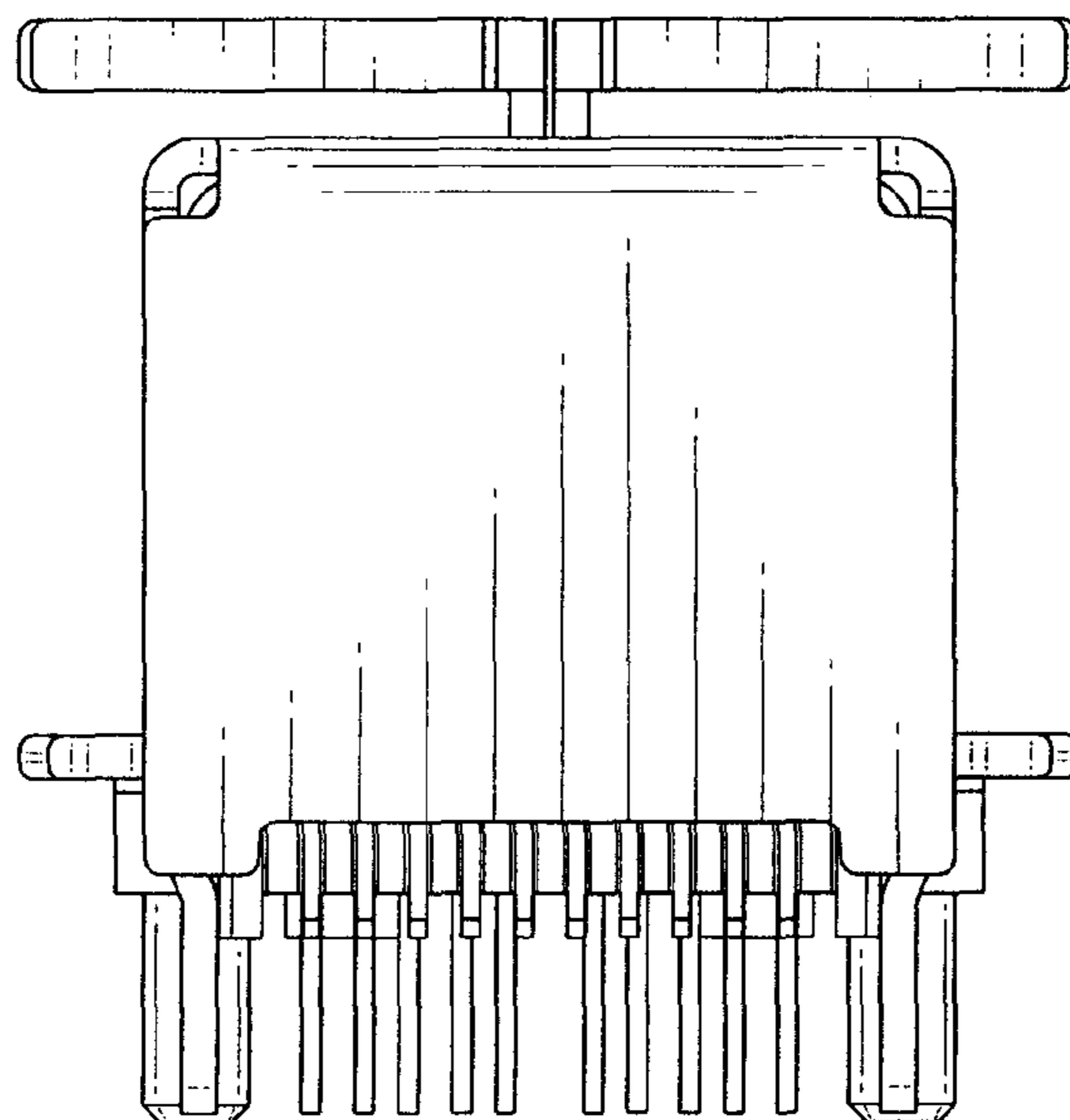


Fig. 12

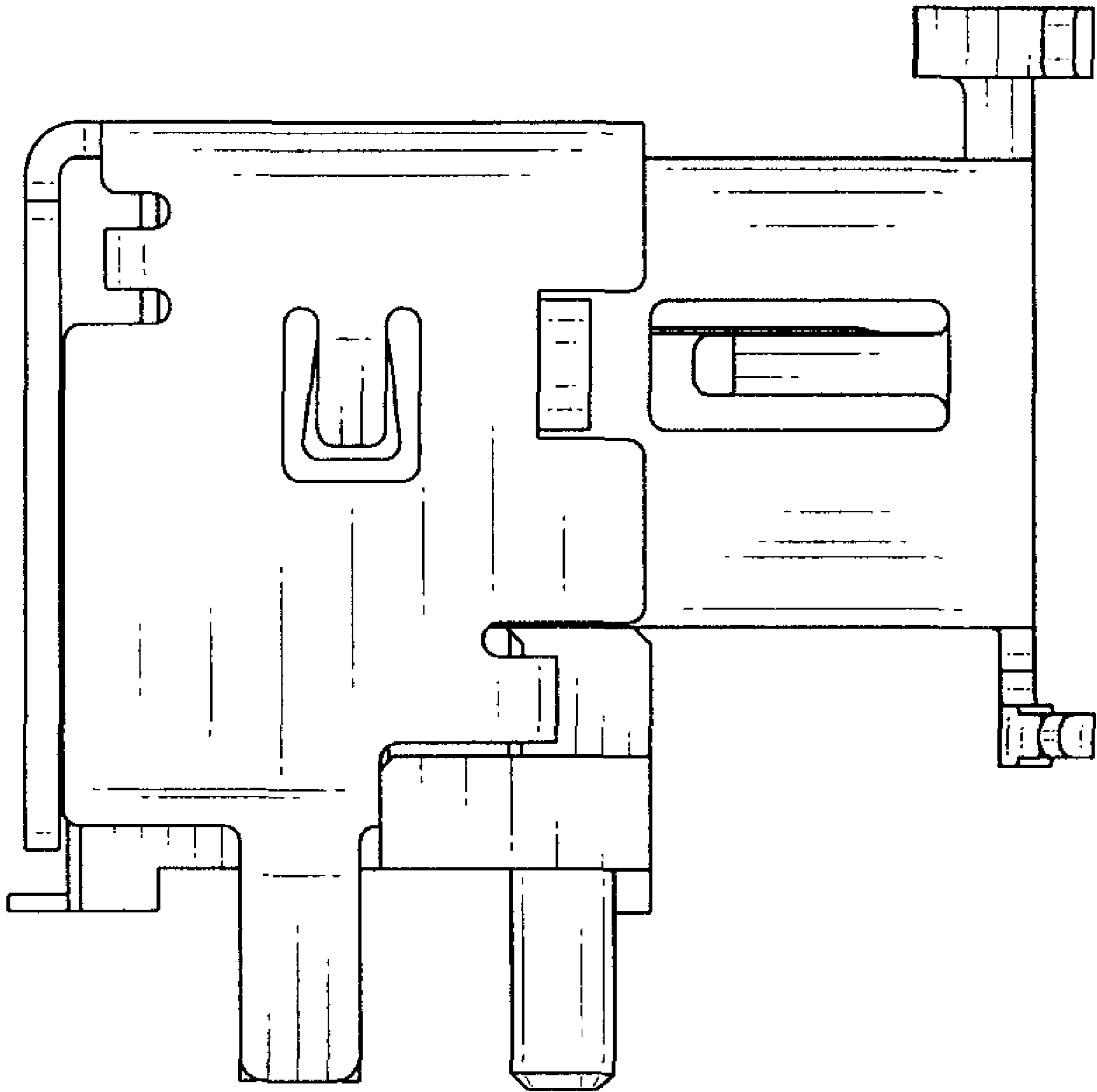




Fig. 13

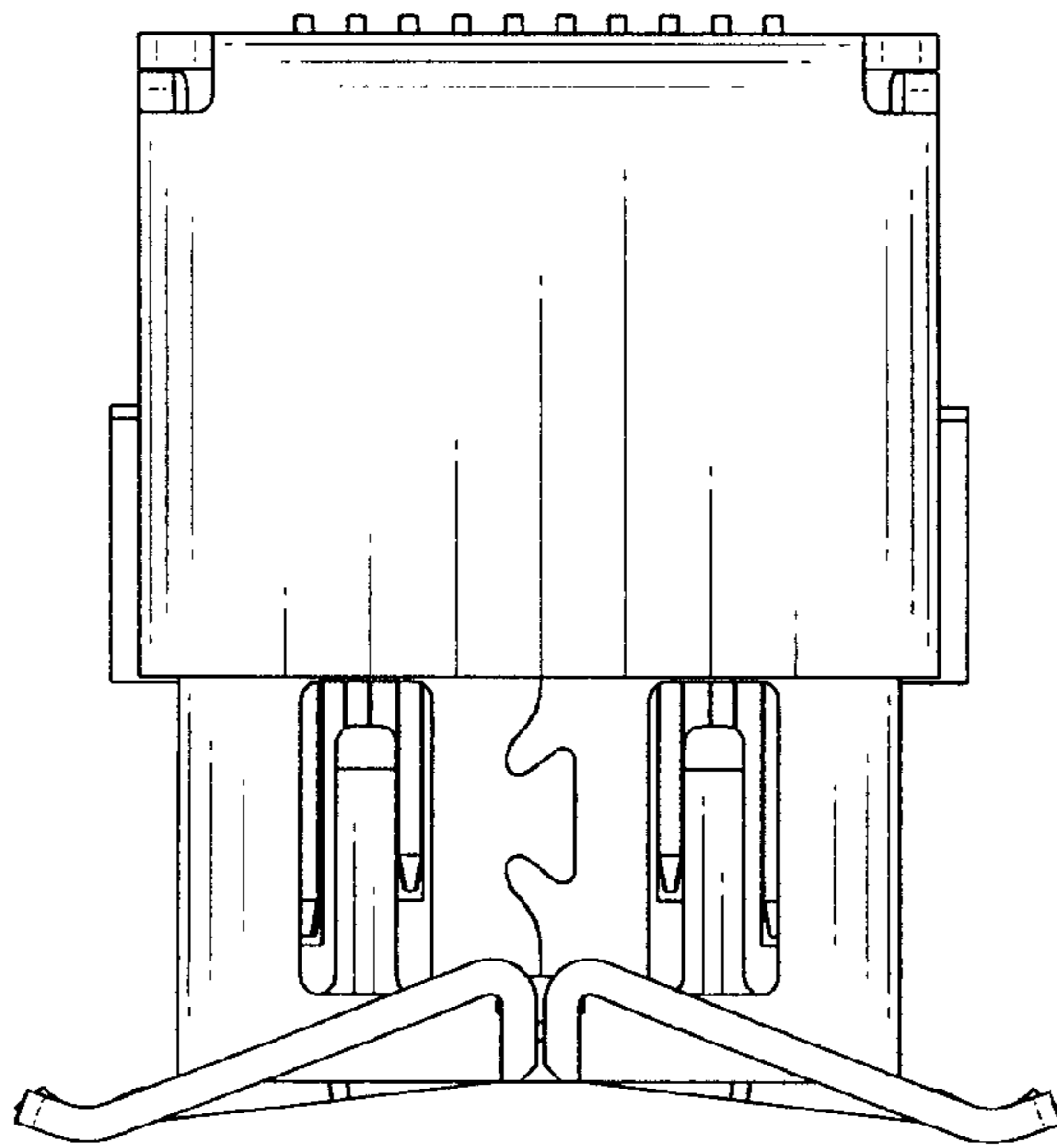


Fig. 14

