



US00D620891S

(12) **United States Design Patent**
Tanaka et al.

(10) **Patent No.:** **US D620,891 S**
(45) **Date of Patent:** **** *Aug. 3, 2010**

(54) **ELECTRICAL CONNECTOR**

(75) Inventors: **Tsutomu Tanaka**, Yokkaichi (JP);
Takahiro Shibata, Yokkaichi (JP)

(73) Assignee: **Sumitomo Wiring Systems, Ltd.**,
Mie-Ken (JP)

(*) Notice: This patent is subject to a terminal disclaimer.

(**) Term: **14 Years**

(21) Appl. No.: **29/333,064**

(22) Filed: **Mar. 2, 2009**

(30) **Foreign Application Priority Data**

Sep. 4, 2008 (JP) 2008-022852

(51) **LOC (9) Cl.** **13-03**

(52) **U.S. Cl.** **D13/147**

(58) **Field of Classification Search** D13/133,
D13/146-147, 154, 184; 439/352, 354, 357,
439/358, 374, 594, 598, 656, 680, 711, 745,
439/752

See application file for complete search history.

(56) **References Cited**

U.S. PATENT DOCUMENTS

D314,755 S *	2/1991	Endo et al.	D13/147
D323,486 S *	1/1992	Kasugai et al.	D13/147
D324,849 S *	3/1992	Nagasaka et al.	D13/147
D325,372 S *	4/1992	Taguchi et al.	D13/147
D330,540 S *	10/1992	Tanaka	D13/147
D425,869 S *	5/2000	Yokomizo et al.	D13/147
D459,311 S *	6/2002	Chen	D13/147
D479,199 S *	9/2003	Jones et al.	D13/147

FOREIGN PATENT DOCUMENTS

JP	D675496-1	9/1989
JP	D1155290	10/2002

JP	D1215845	7/2004
JP	D1322865	2/2008
JP	D1323027	2/2008
JP	D1323028	2/2008
JP	D1323029	2/2008
JP	D1323030	2/2008

OTHER PUBLICATIONS

Related U.S. Appl. No. 29/333,060, filed Mar. 2, 2009 (bibliographic data and image file wrapper print outs).
Related U.S. Appl. No. 29/333,063, filed Mar. 2, 2009 (bibliographic data and image file wrapper print outs).
Related U.S. Appl. No. 29/333,065, filed Mar. 2, 2009 (bibliographic data and image file wrapper print outs).
Related U.S. Appl. No. 29/333,066, filed Mar. 2, 2009 (bibliographic data and image file wrapper print outs).

* cited by examiner

Primary Examiner—Daniel D Bui

(74) *Attorney, Agent, or Firm*—Patterson Thuent Christensen Pedersen, P.A.

(57) **CLAIM**

The ornamental design for an electrical connector, as shown and described.

DESCRIPTION

FIG. 1 is a front perspective view of an electrical connector showing our new design;

FIG. 2 is a rear perspective view thereof

FIG. 3 is a front view thereof;

FIG. 4 is a rear view thereof;

FIG. 5 is a top plan view thereof;

FIG. 6 is a bottom plan view thereof;

FIG. 7 is a left side elevational view thereof, the right side elevational view being a mirror image of FIG. 7; and,

FIG. 8 is a cross-sectional view taken along line 8—8 of FIG. 3.

1 Claim, 8 Drawing Sheets

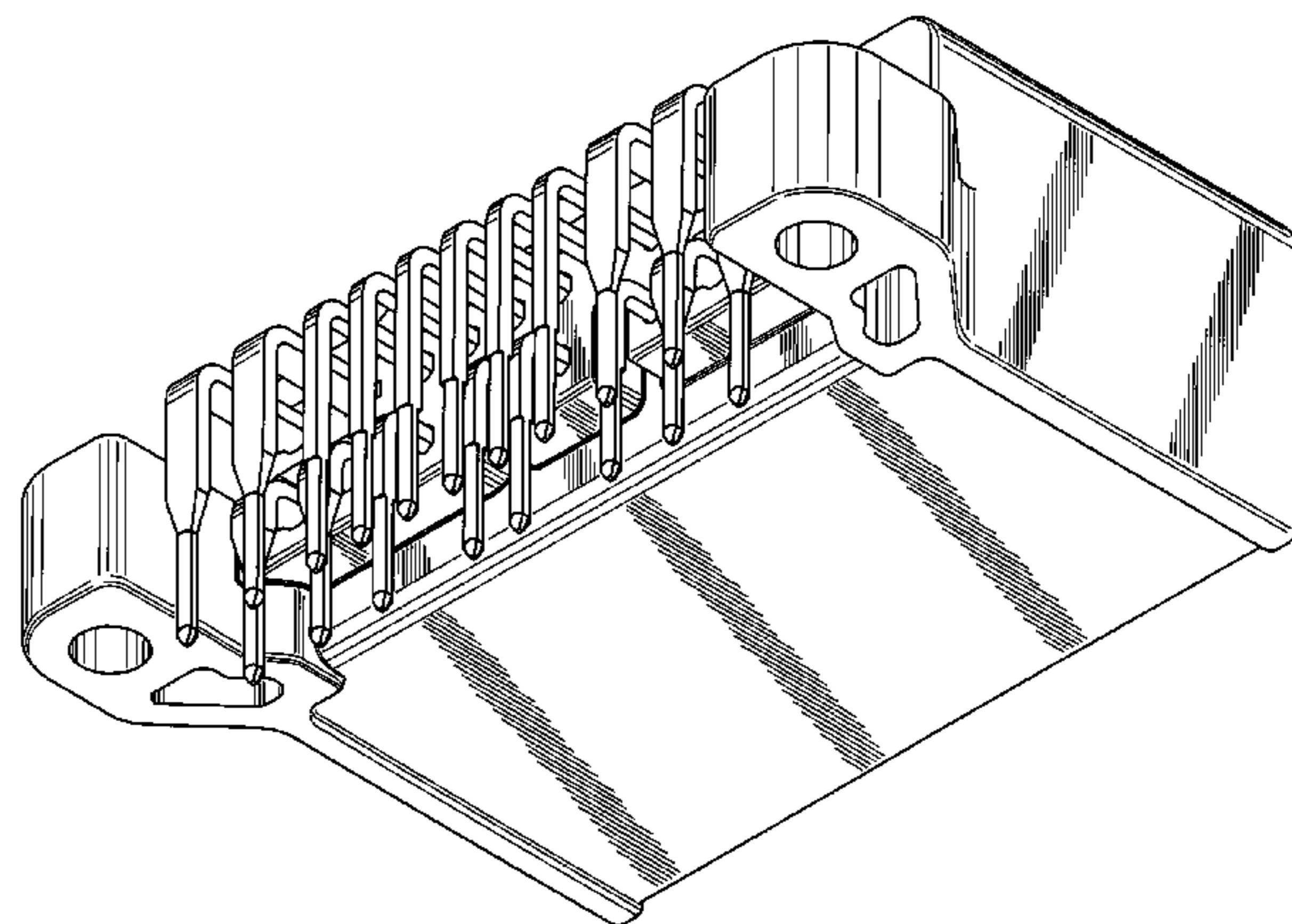
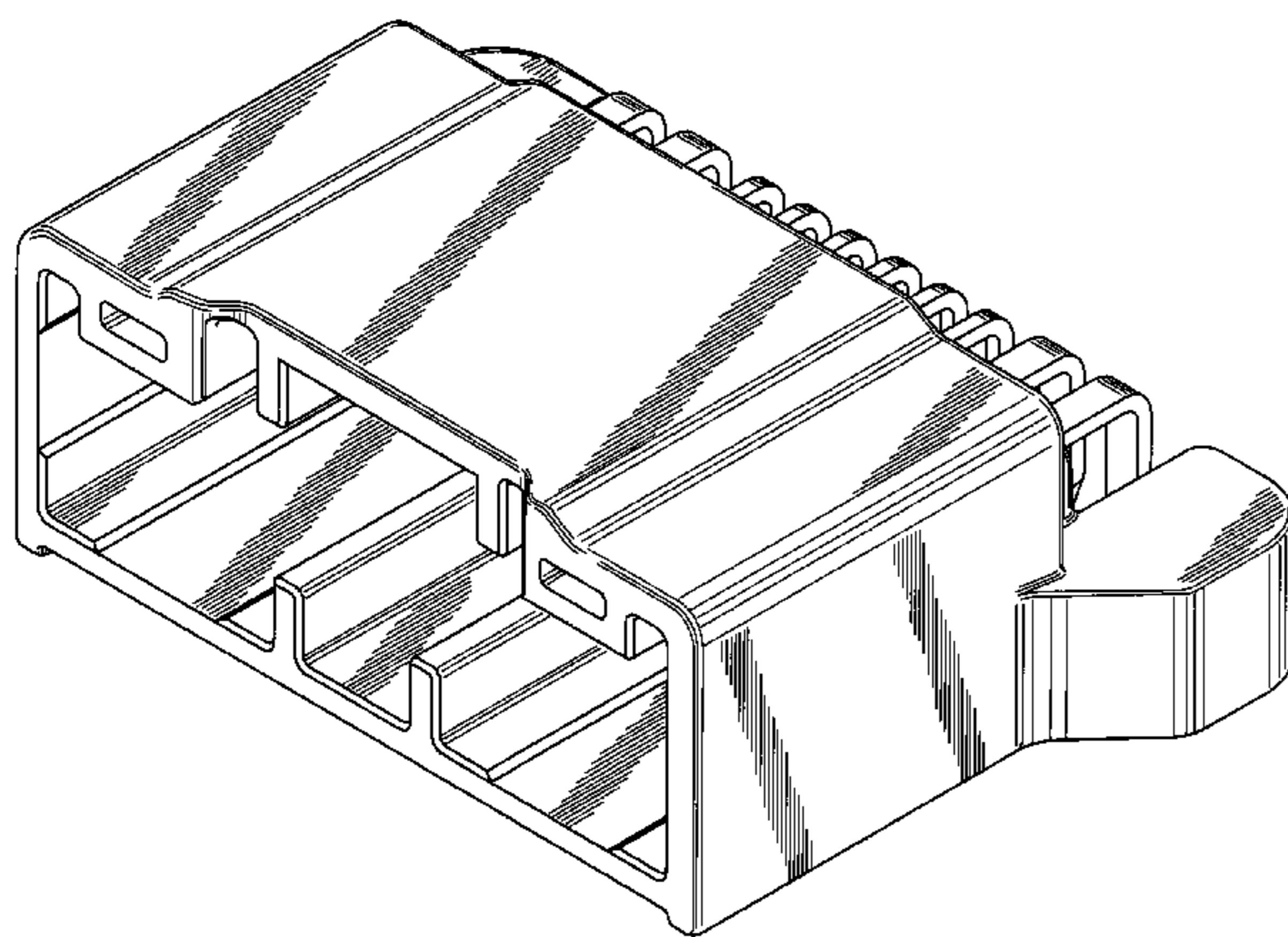


FIG. 1

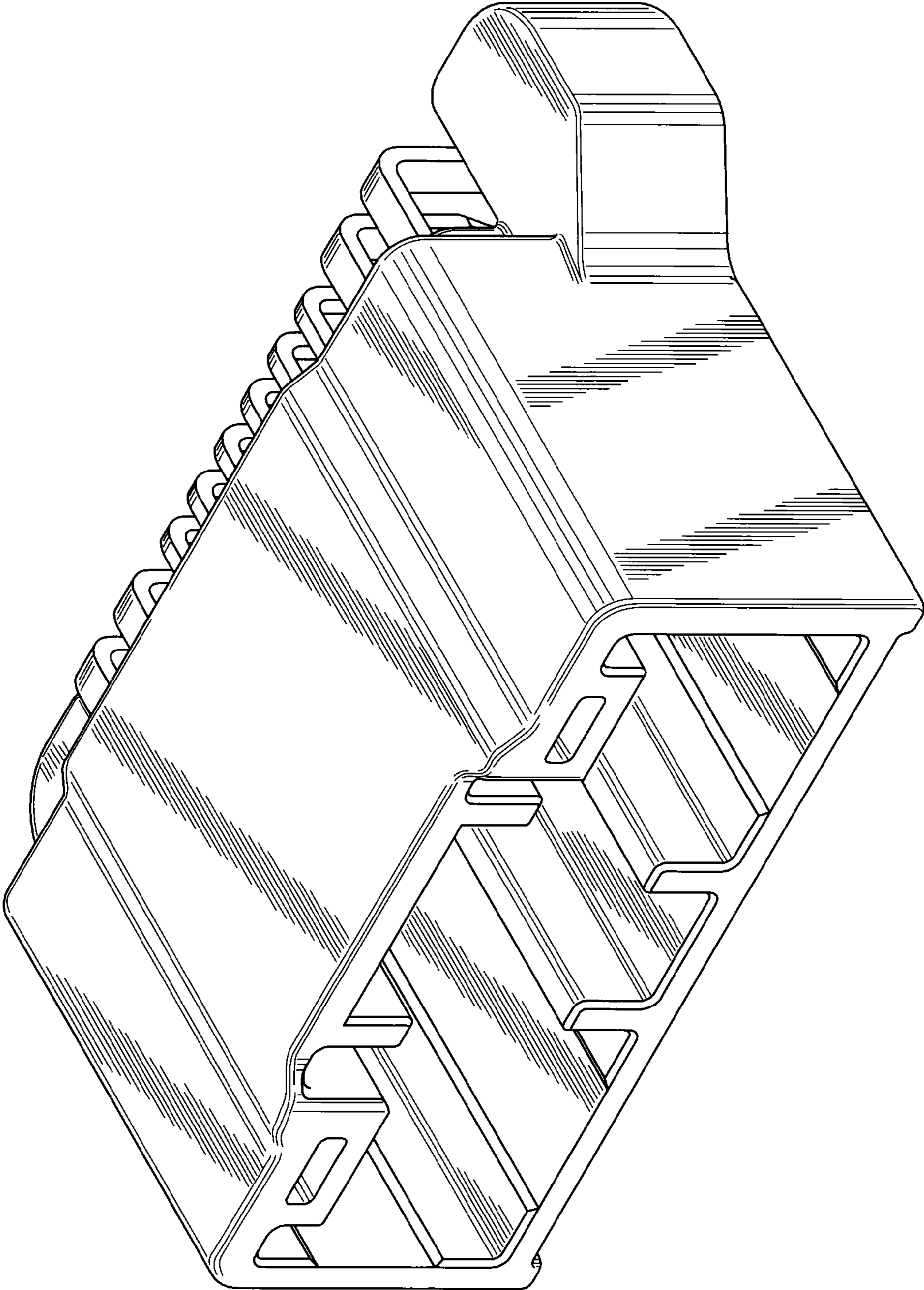


FIG. 2

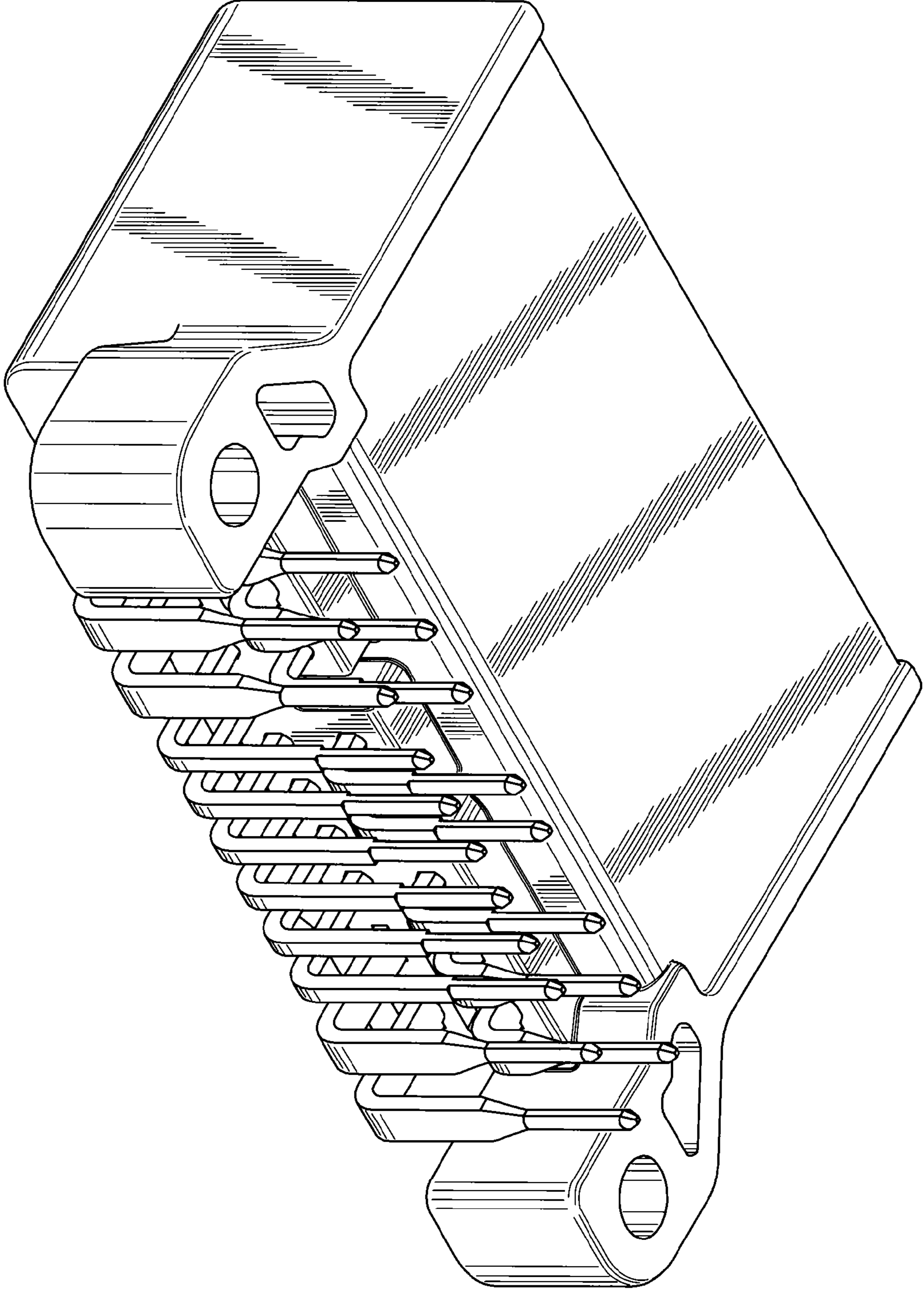


FIG. 3

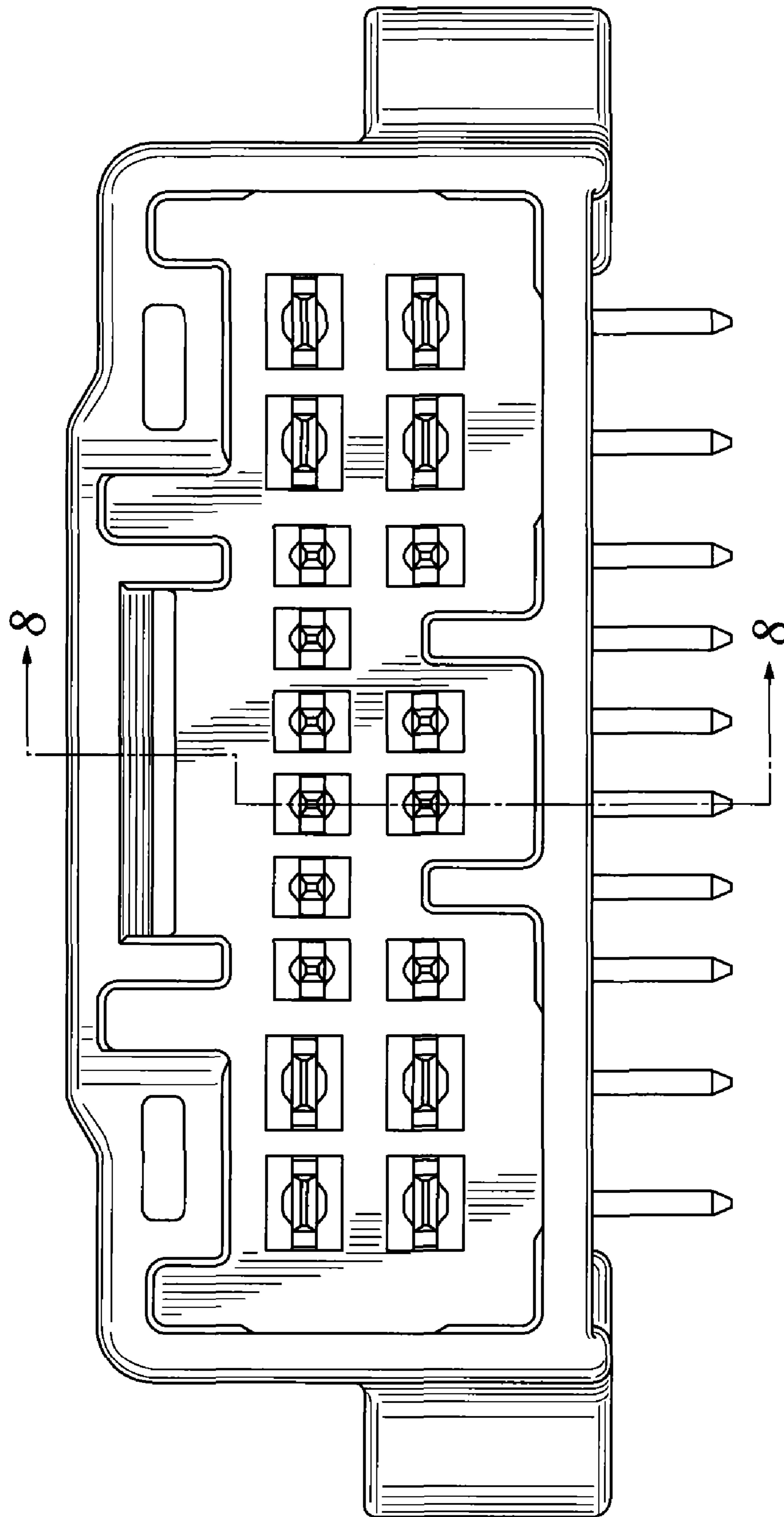


FIG. 4

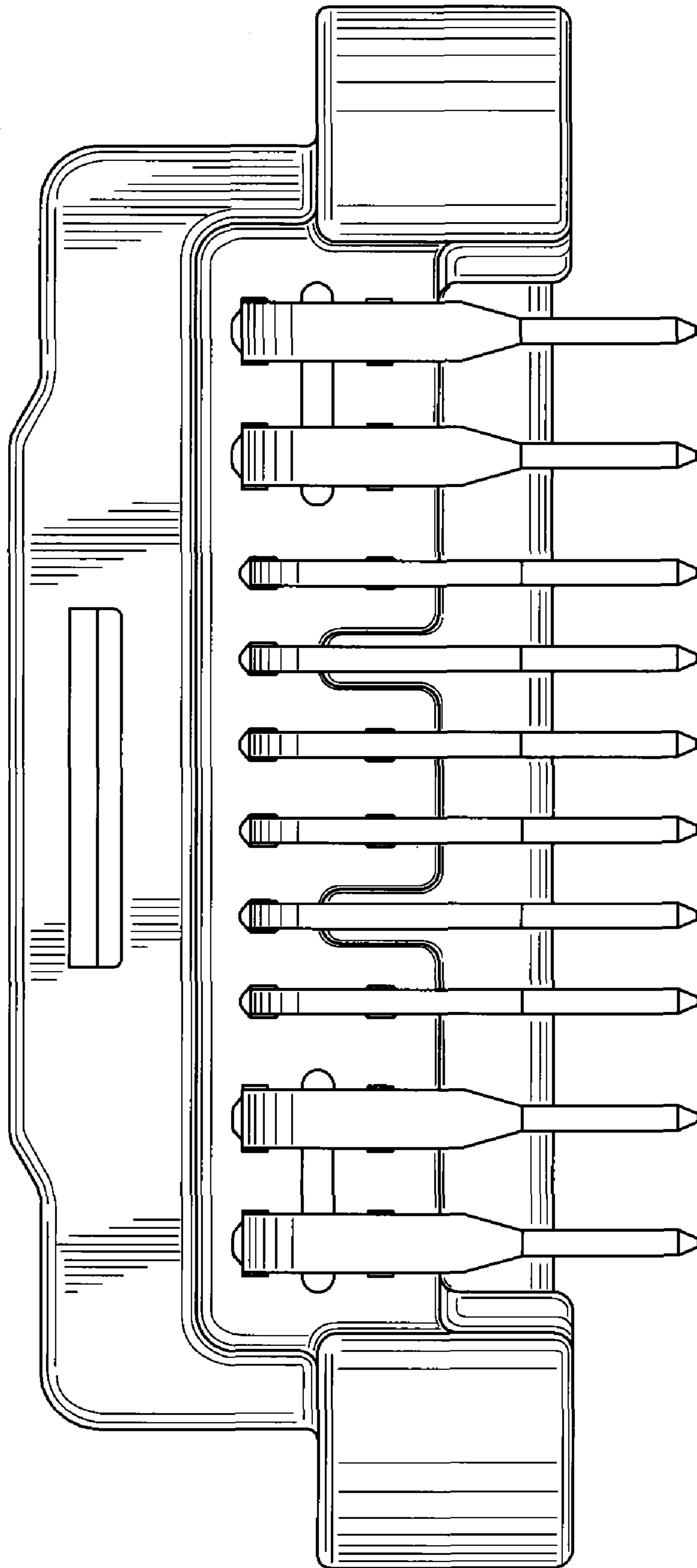


FIG. 5

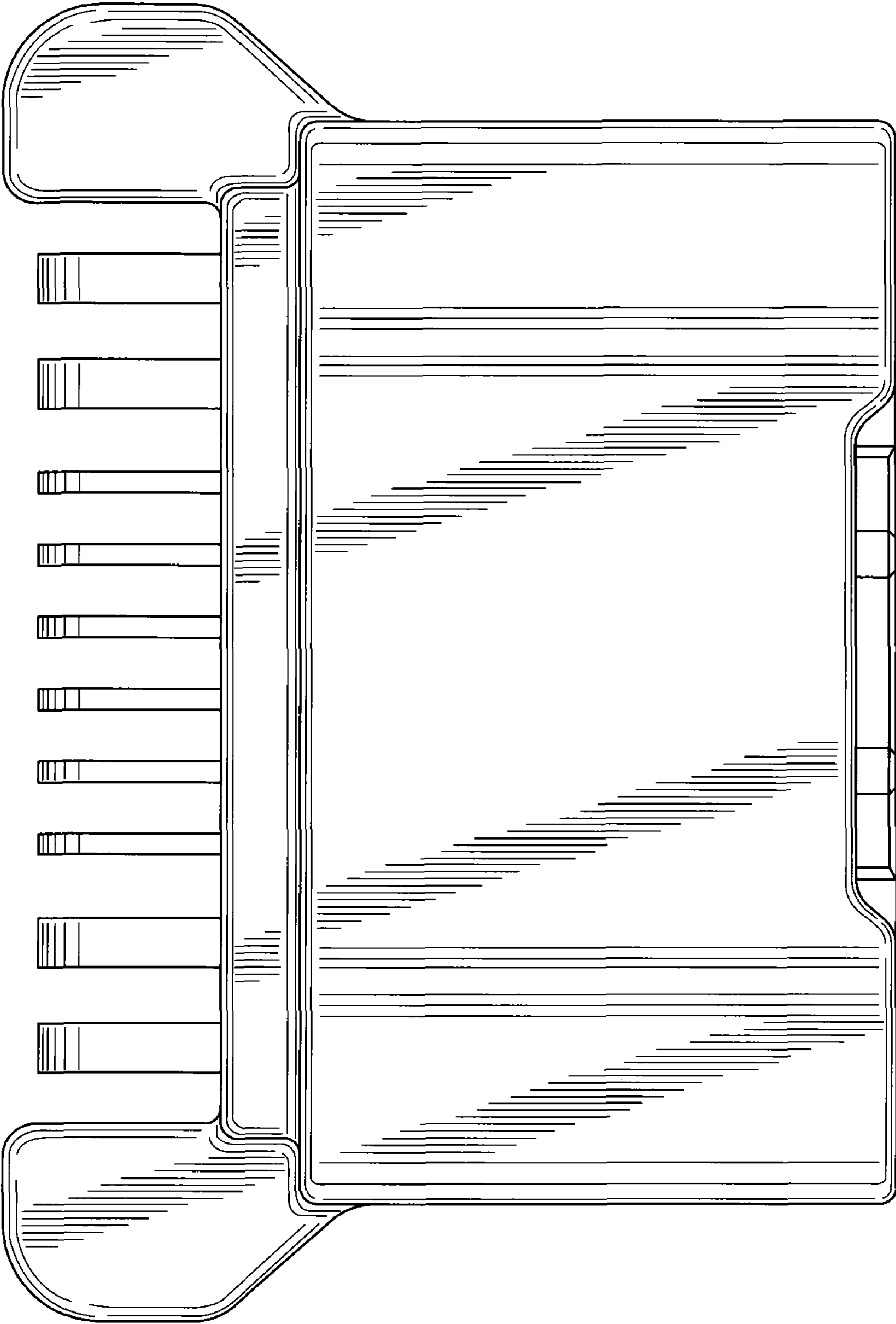


FIG. 6

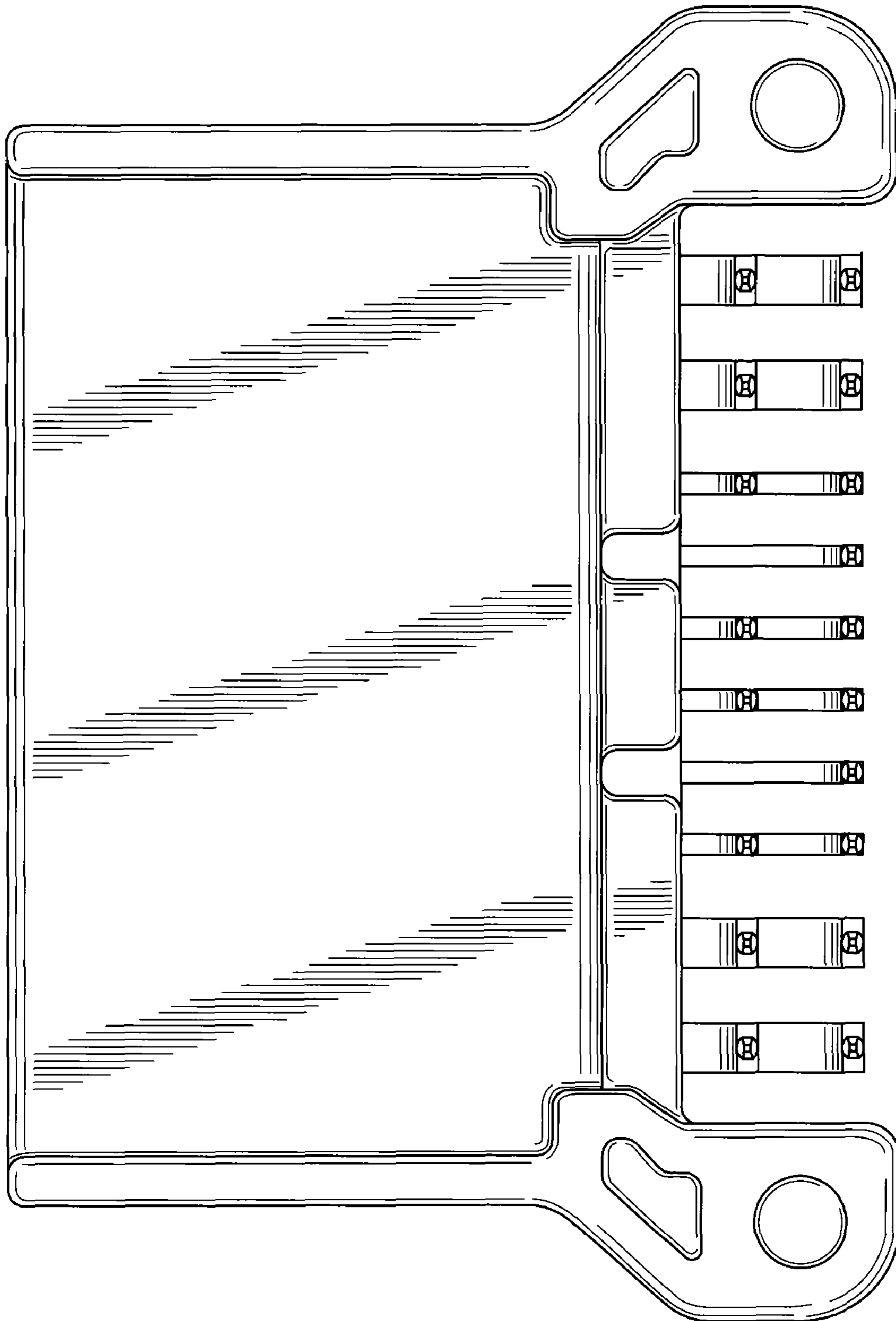


FIG. 7

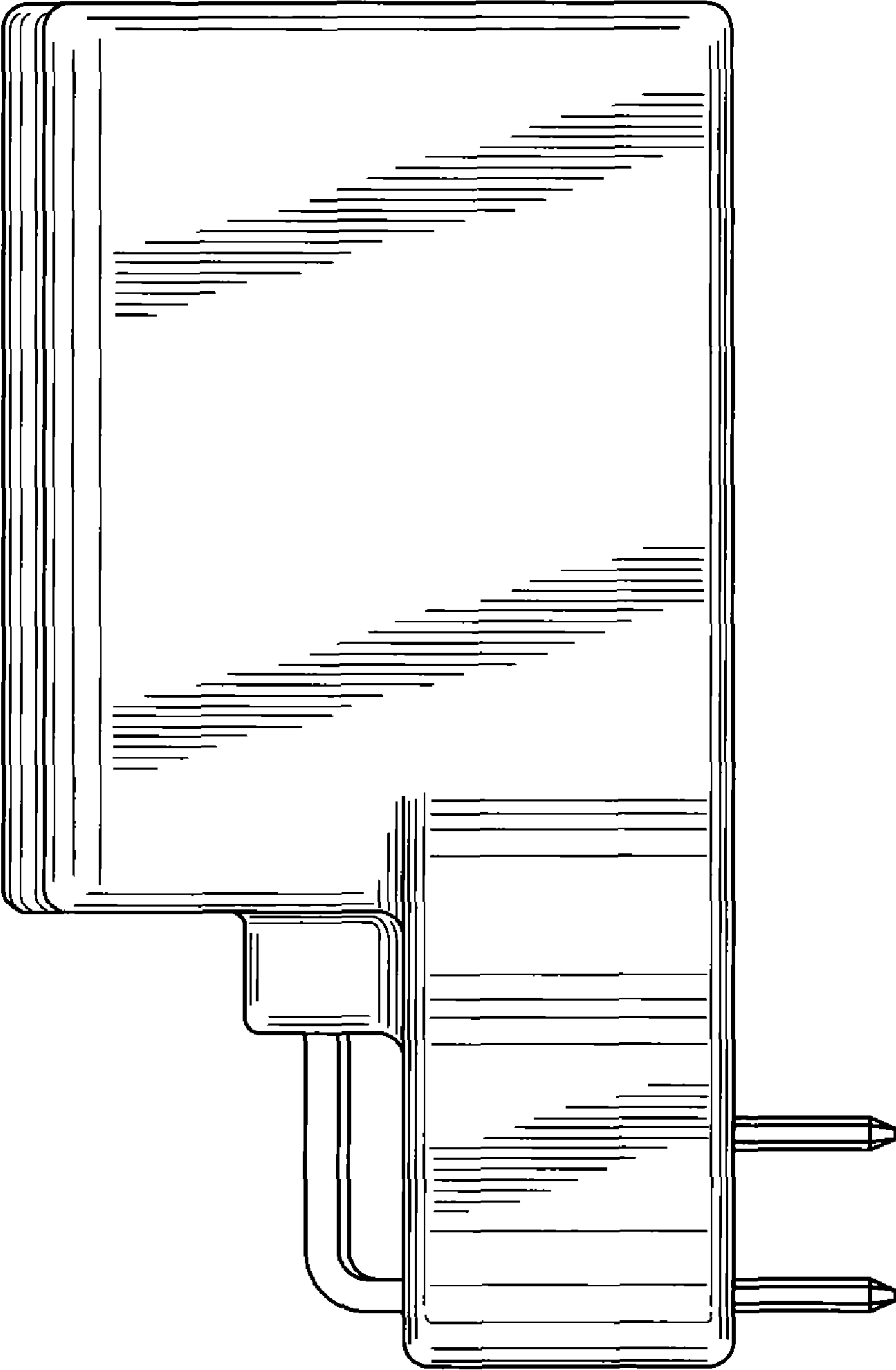


FIG. 8

