



US00D620889S

(12) **United States Design Patent**
Smith et al.

(10) **Patent No.:** **US D620,889 S**

(45) **Date of Patent:** **** Aug. 3, 2010**

(54) **PLUG**

(75) Inventors: **Dustin Jonathan Smith**, Waterloo (CA);
Sergei Streltsov, Kitchener (CA); **Todd Andrew Wood**, Guelph (CA)

(73) Assignee: **Research In Motion Limited**, Waterloo (CA)

(**) Term: **14 Years**

(21) Appl. No.: **29/354,487**

(22) Filed: **Jan. 25, 2010**

(51) **LOC (9) Cl.** **13-03**

(52) **U.S. Cl.** **D13/138.2; D13/108**

(58) **Field of Classification Search** D13/138.1,
D13/138.2, 139.1, 139.2, 139.3, 139.4, 139.5,
D13/139.6, 139.7, 139.8, 137.1, 137.2, 137.3,
D13/137.4, 107, 108, 110, 133, 146, 151,
D13/152, 153, 156, 162, 162.1, 163, 171,
D13/177; 174/66, 202, 206, 53, 59, 60; 363/146,
363/15, 34; 320/111, 114, 115; 439/108,
439/172, 173, 344, 373

See application file for complete search history.

(56) **References Cited**

U.S. PATENT DOCUMENTS

D376,129 S * 12/1996 Muller et al. D13/137.1
5,611,701 A * 3/1997 Hahn 439/131
5,613,863 A * 3/1997 Klaus et al. 439/131

D402,962 S * 12/1998 Hedrick D13/138.2
D430,107 S * 8/2000 Taylor D13/110
D498,462 S * 11/2004 Andre et al. D13/146
6,939,150 B1 * 9/2005 Lanni 439/131
7,476,112 B2 * 1/2009 O'Connell et al. 439/133
D587,193 S * 2/2009 McGinley et al. D13/110
7,604,492 B1 * 10/2009 Wang 439/131
7,614,892 B2 * 11/2009 Klant et al. 439/172
D610,992 S * 3/2010 Fahrendorff et al. D13/138.1

* cited by examiner

Primary Examiner—Jennifer Rivard

Assistant Examiner—Angela J Lee

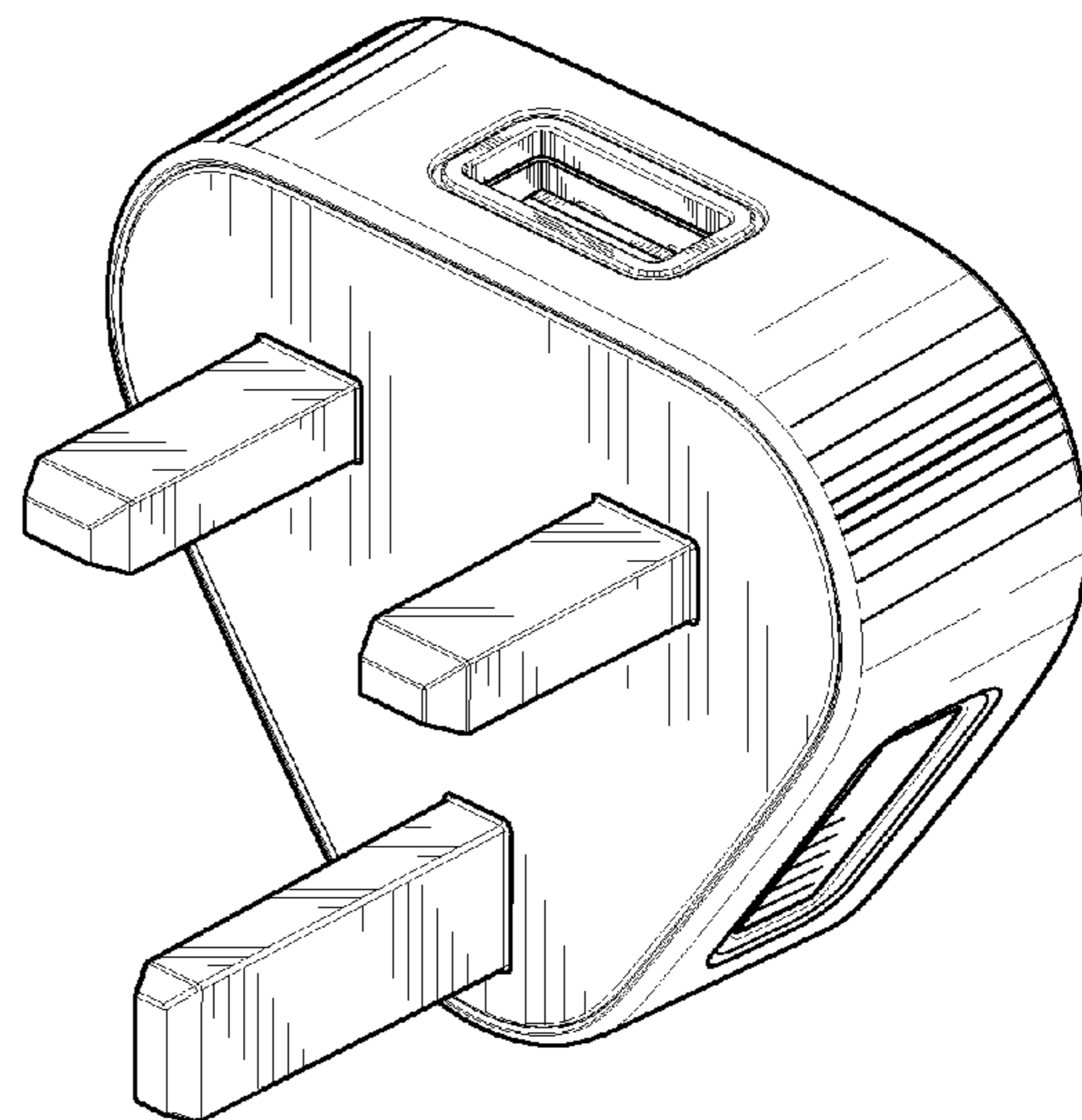
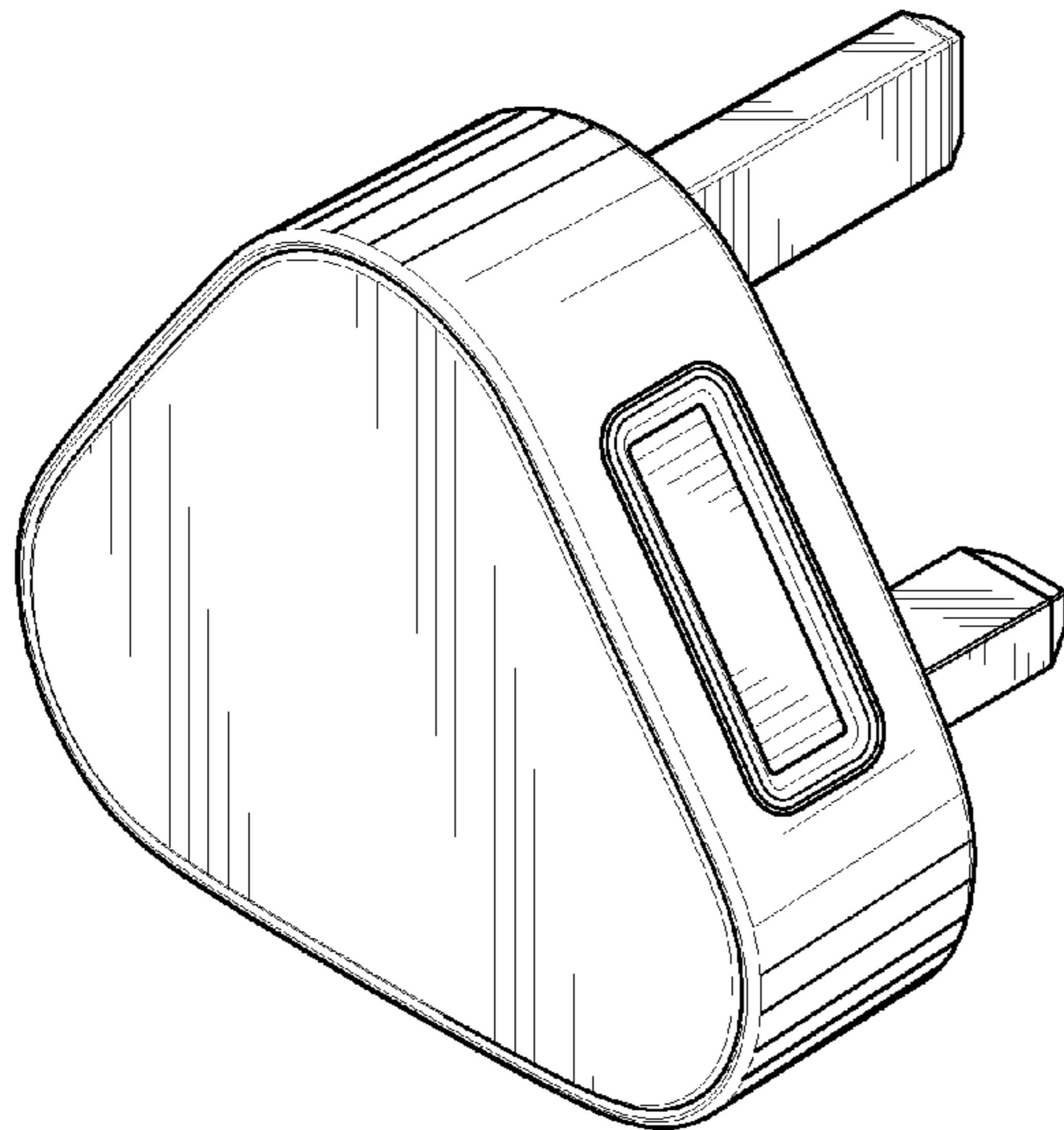
(57) **CLAIM**

We claim the ornamental design for a plug, as shown and described.

DESCRIPTION

FIG. 1 is a front perspective view of a plug;
FIG. 2 is a back perspective view of the plug;
FIG. 3 is a front elevational view thereof;
FIG. 4 is a back elevational view thereof;
FIG. 5 is a left elevational view thereof;
FIG. 6 is a right elevational view thereof;
FIG. 7 is a top plan view thereof; and,
FIG. 8 is a bottom plan view thereof.

1 Claim, 4 Drawing Sheets



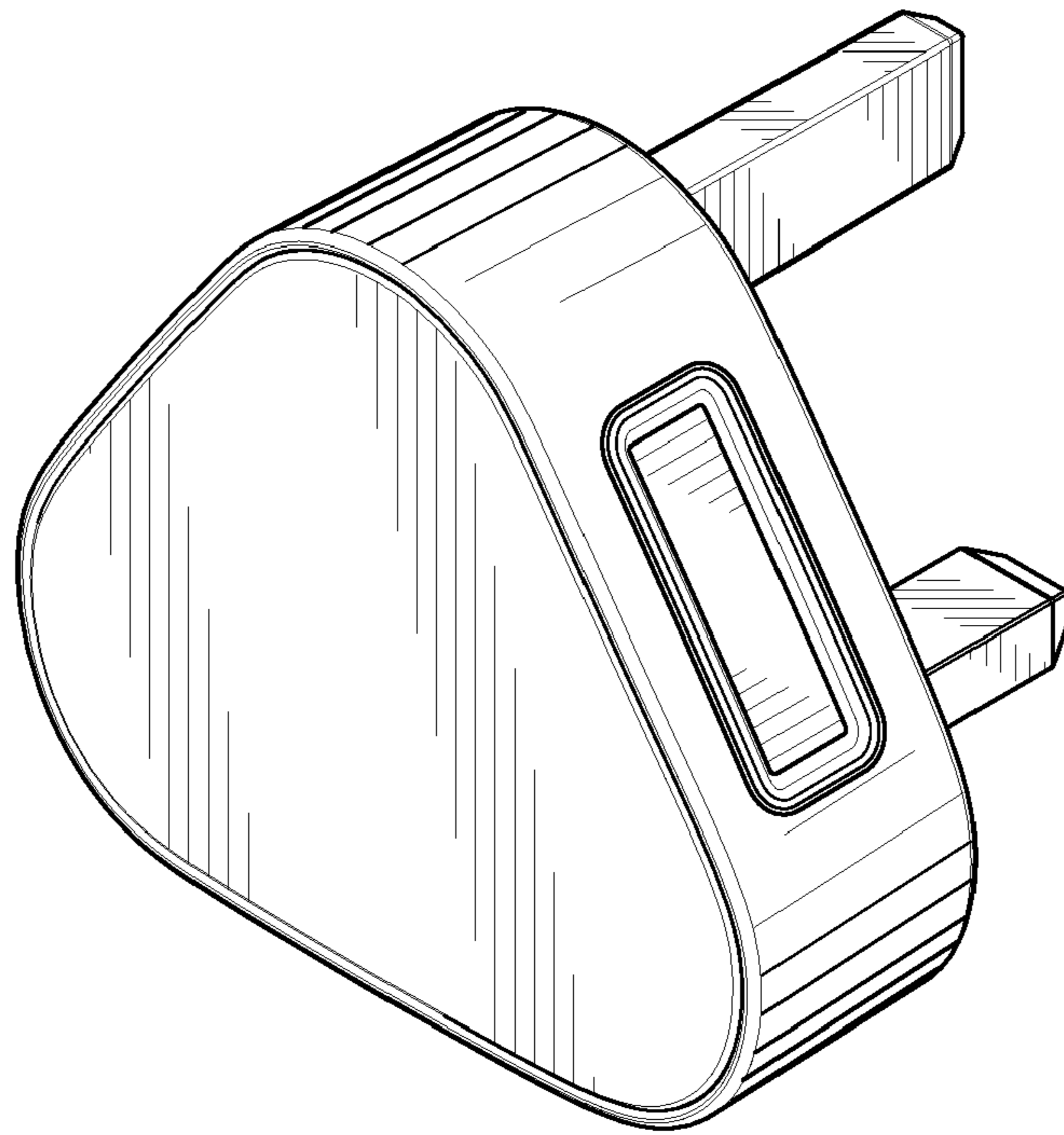


FIG.1

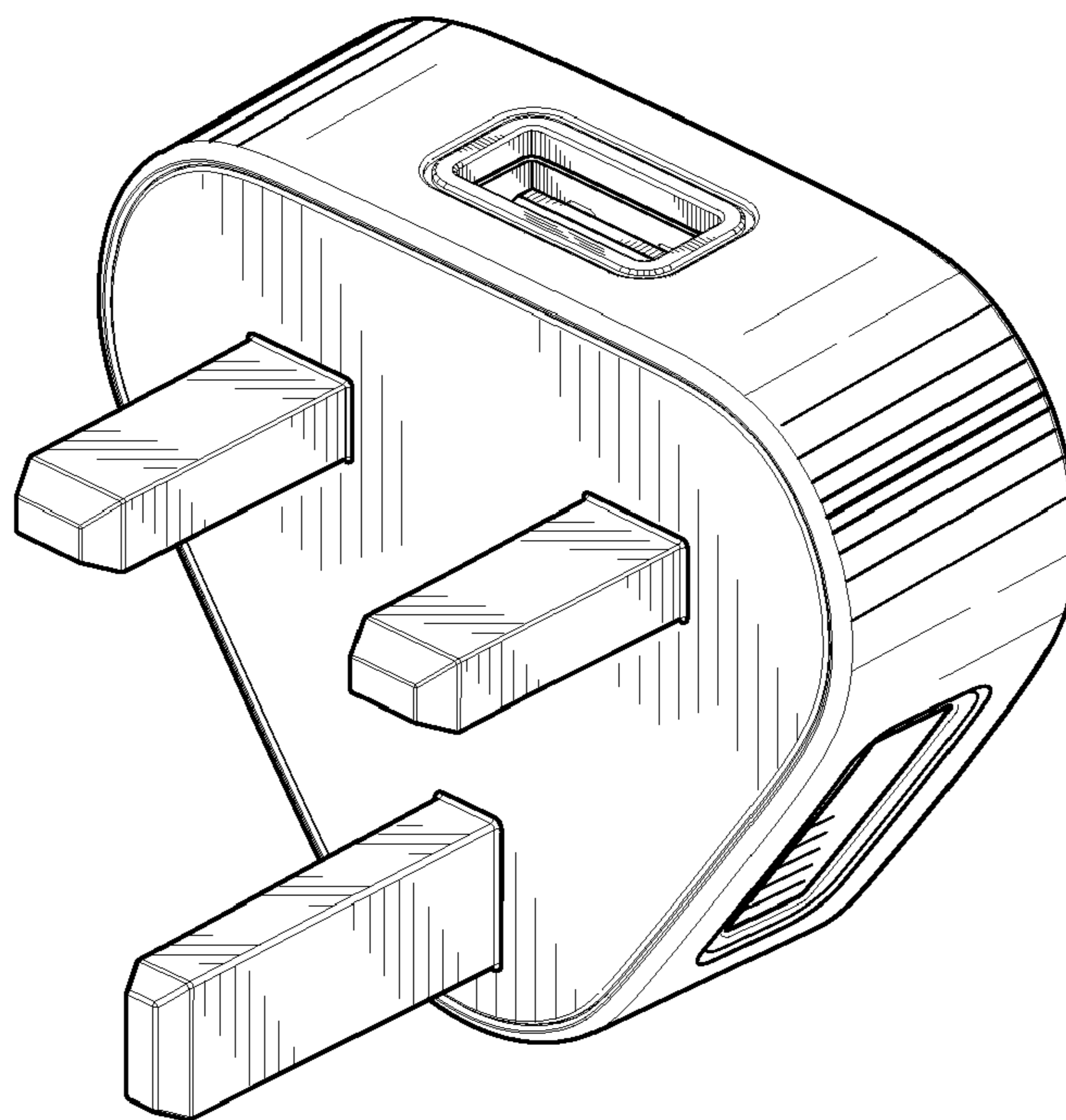


FIG.2

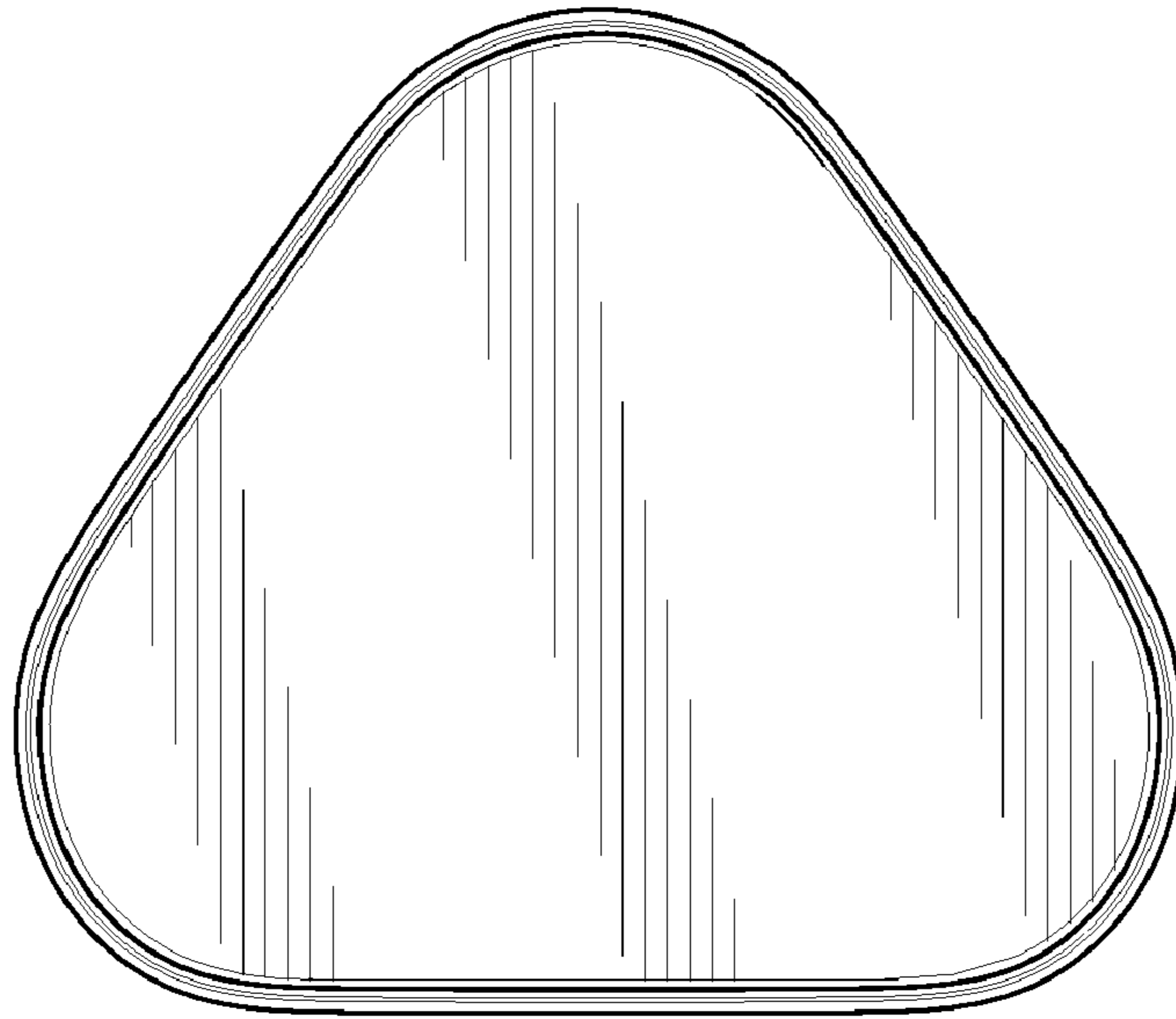


FIG.3

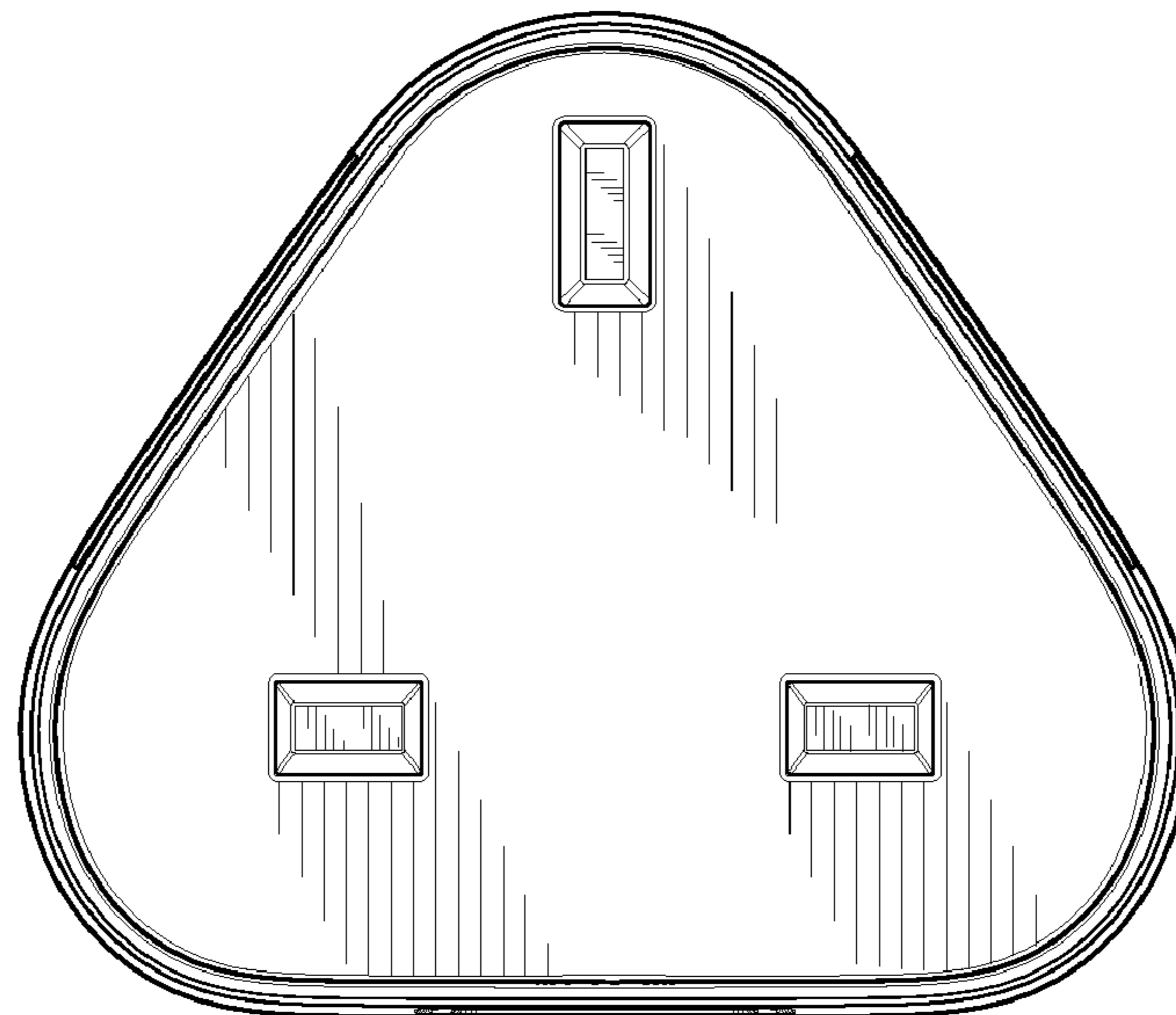


FIG.4

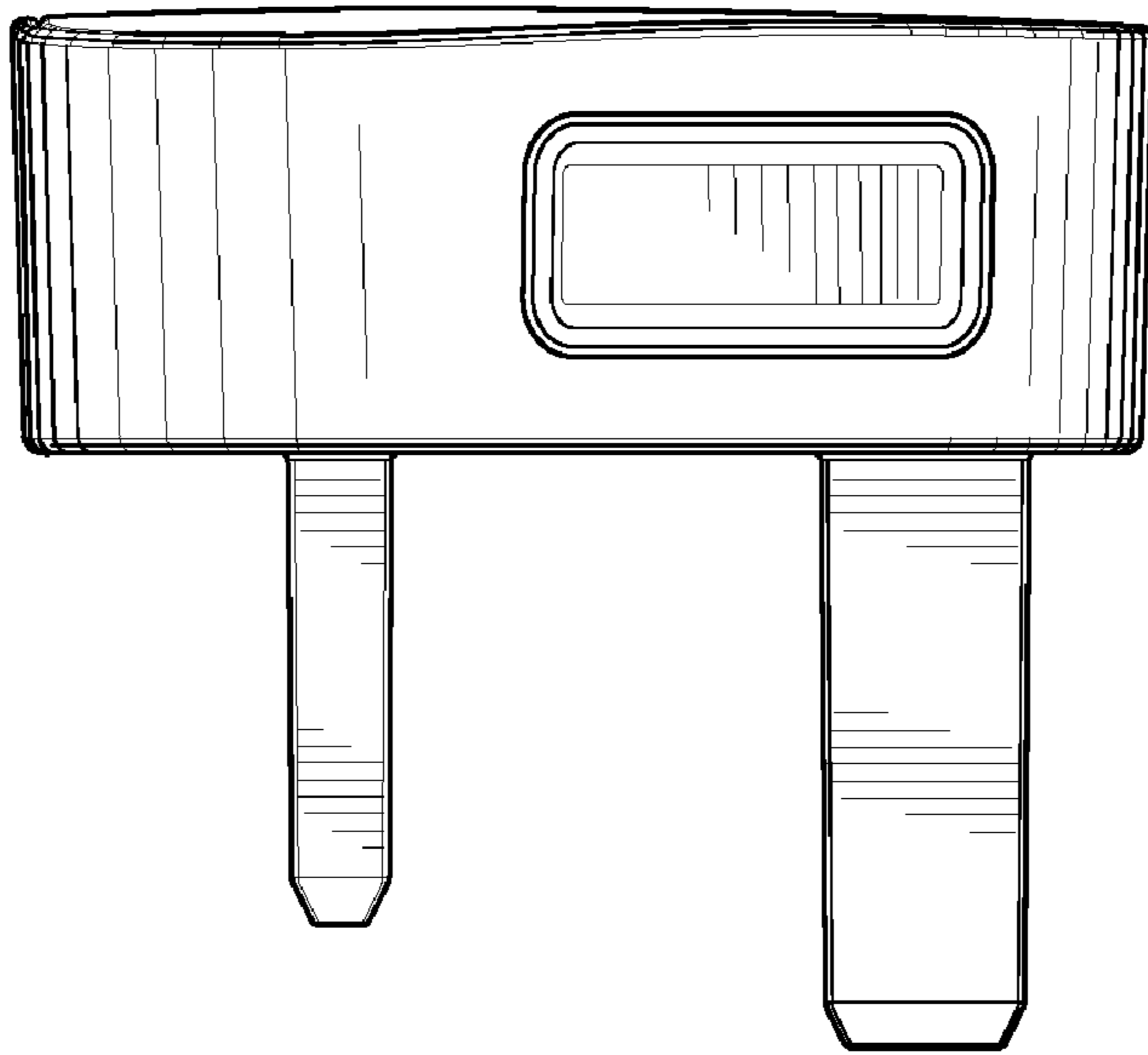


FIG.5

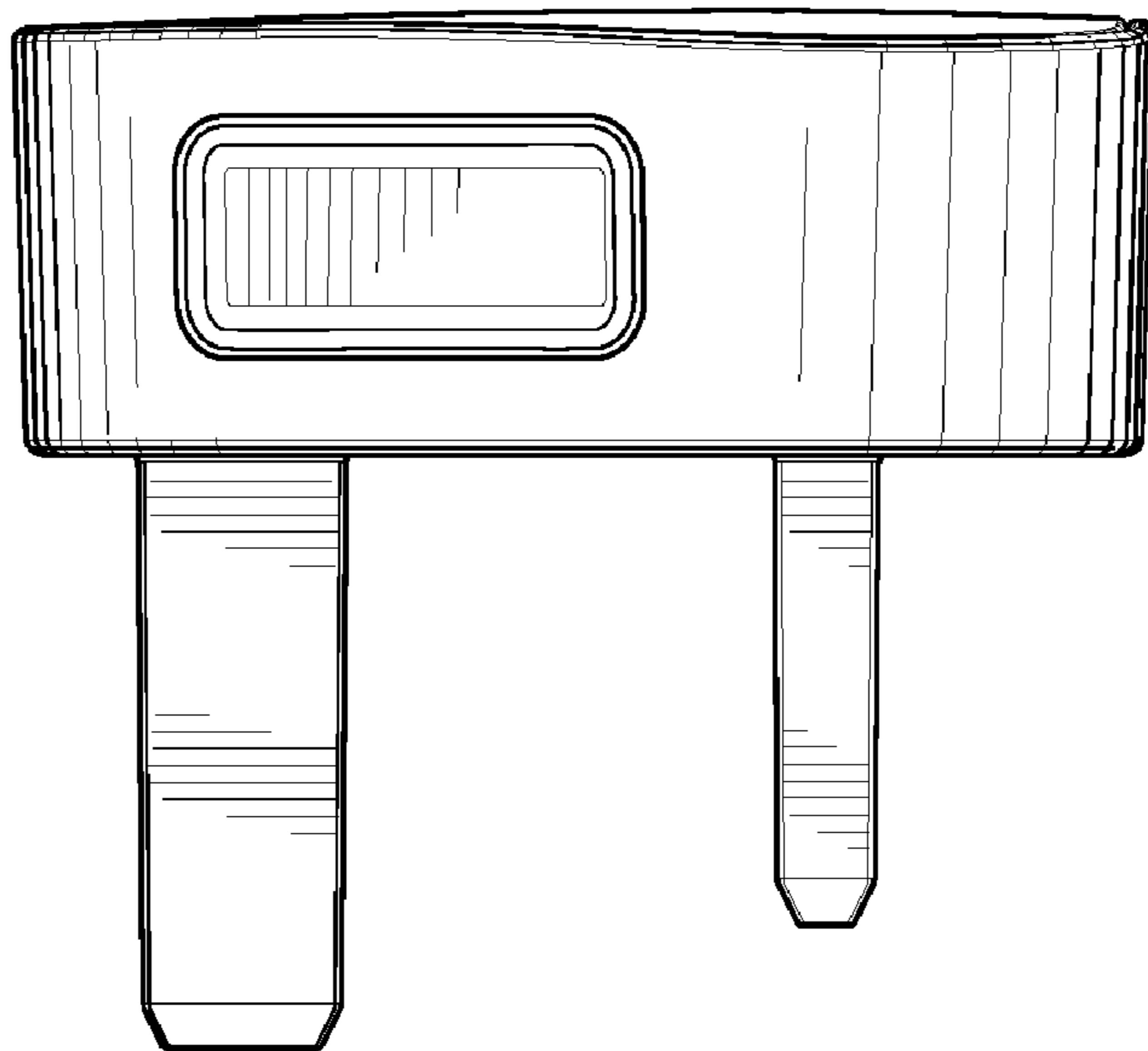


FIG.6

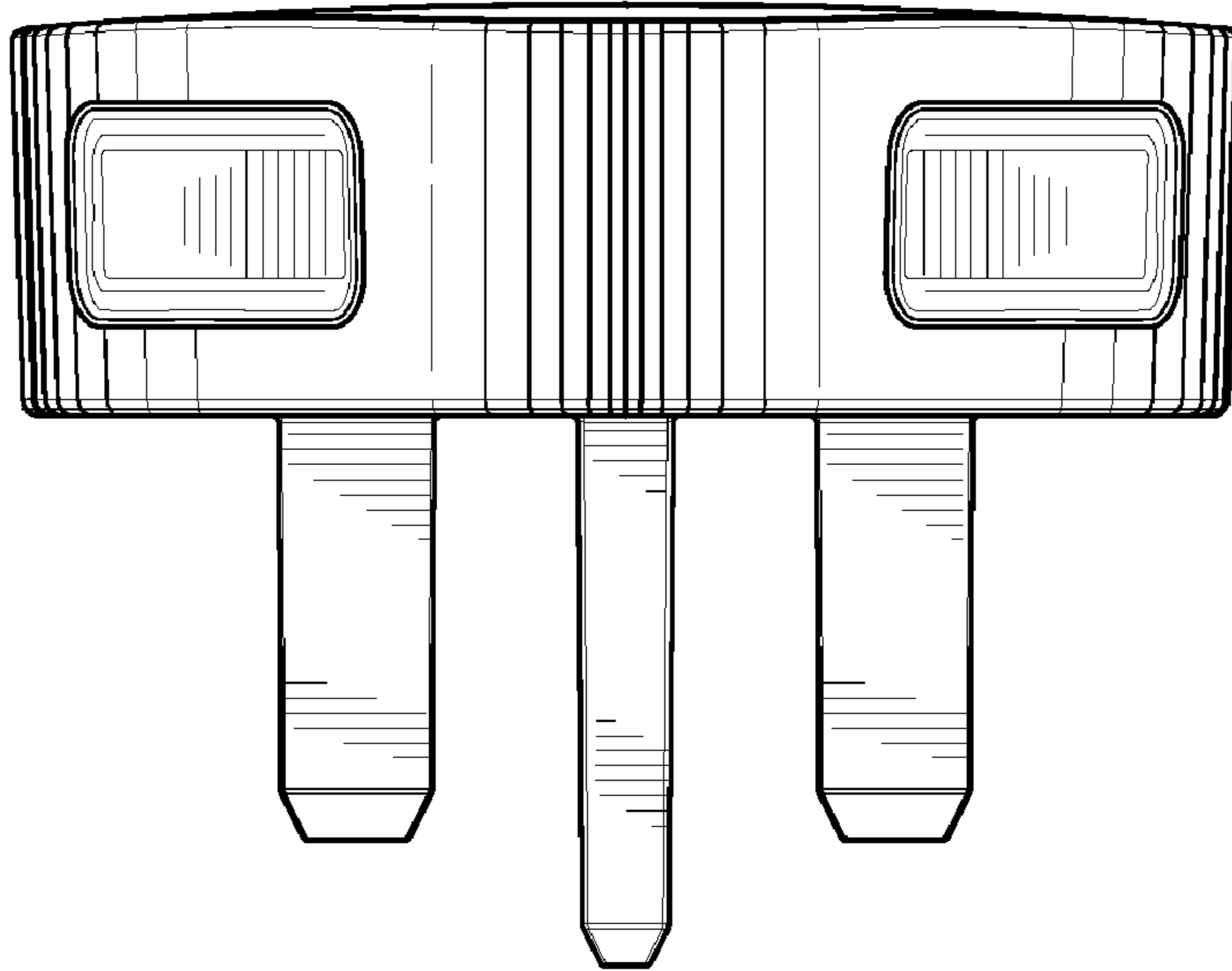


FIG. 7

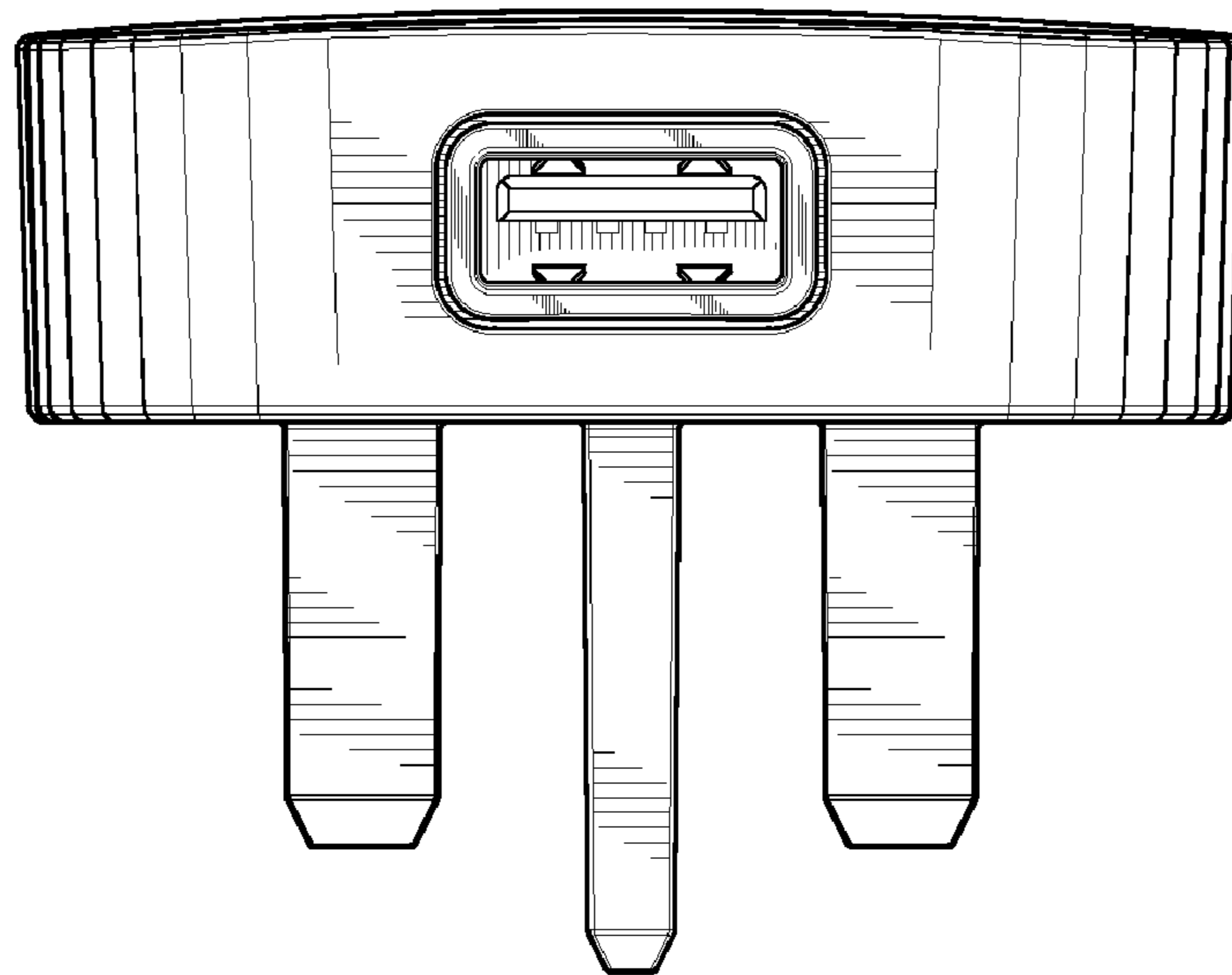


FIG. 8