



US00D620888S

(12) **United States Design Patent**
Svelnis et al.

(10) **Patent No.:** **US D620,888 S**

(45) **Date of Patent:** **** Aug. 3, 2010**

(54) **FOUR POLE LATCHING CONNECTOR SYSTEM**

(75) Inventors: **Christine Mary Svelnis**, Boylston, MA (US); **Jeffrey S. Burkhardt**, Brookline, NH (US)

(73) Assignee: **Anderson Power Products, Inc.**, Sterling, MA (US)

(**) Term: **14 Years**

(21) Appl. No.: **29/334,897**

(22) Filed: **Apr. 3, 2009**

(51) **LOC (9) Cl.** **13-03**

(52) **U.S. Cl.** **D13/133**

(58) **Field of Classification Search** D13/133, D13/146, 147, 154, 184, 199; 439/352, 354, 439/357, 374, 637, 638, 660, 680
See application file for complete search history.

(56) **References Cited**

U.S. PATENT DOCUMENTS

4,319,733	A *	3/1982	Hanna et al.	248/507
6,346,002	B1 *	2/2002	Hsu et al.	439/358
6,485,315	B1 *	11/2002	Hwang	439/108
D474,743	S *	5/2003	Cheng	D13/133
6,899,572	B1	5/2005	Baker et al.		
6,923,670	B2	8/2005	Holmes et al.		
6,923,685	B2	8/2005	Holmes et al.		
6,953,285	B2 *	10/2005	Mickiewicz	385/56
7,195,510	B2	3/2007	Wakefield et al.		

D594,413	S *	6/2009	Palka et al.	D13/133
D604,246	S *	11/2009	Mancini	D13/146
2006/0205254	A1 *	9/2006	Foltz et al.	439/157
2006/0217003	A1 *	9/2006	Martin et al.	439/701
2007/0020986	A1 *	1/2007	Fry et al.	439/357
2008/0145003	A1 *	6/2008	Ice	385/92

* cited by examiner

Primary Examiner—Daniel D Bui

Assistant Examiner—Thomas J Johannes

(74) *Attorney, Agent, or Firm*—Vern Maine & Associates

(57) **CLAIM**

The ornamental design for a four pole latching connector system, as shown and described.

DESCRIPTION

FIG. 1 is a back view of a four pole latching connector system showing our new design;

FIG. 2 is a bottom view thereof;

FIG. 3 is a front view thereof;

FIG. 4 is an upper front perspective view thereof;

FIG. 5 is a lower back perspective view thereof;

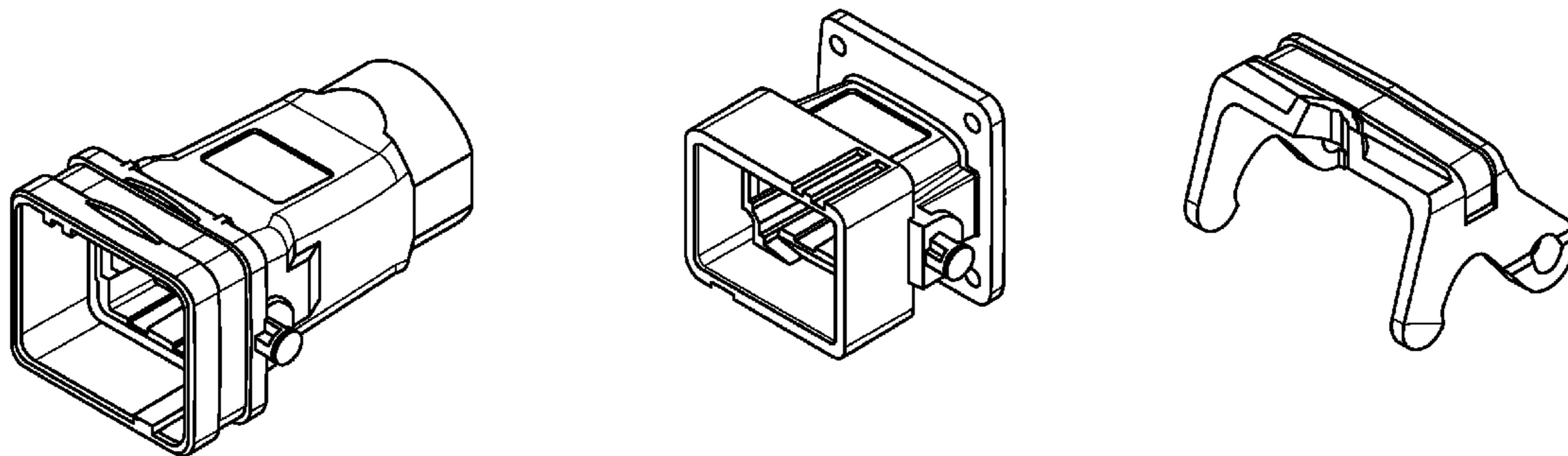
FIG. 6 is a left side view thereof;

FIG. 7 is a right side view thereof; and,

FIG. 8 is a top view thereof.

The broken line portion of the figure drawings is included to show unclaimed subject matter only and forms no part of the claimed design.

1 Claim, 8 Drawing Sheets



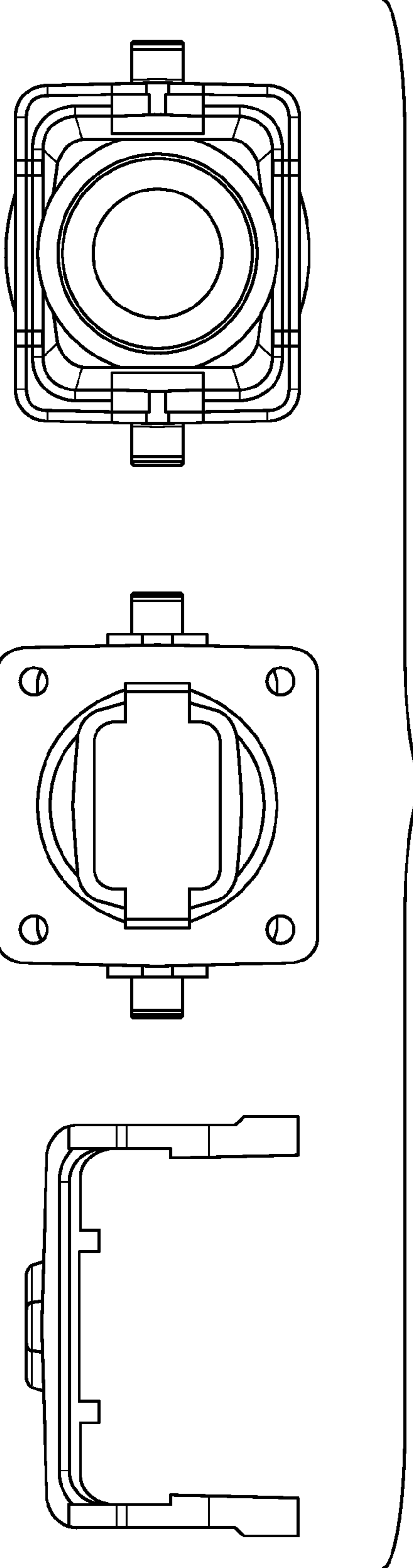


FIG. 1

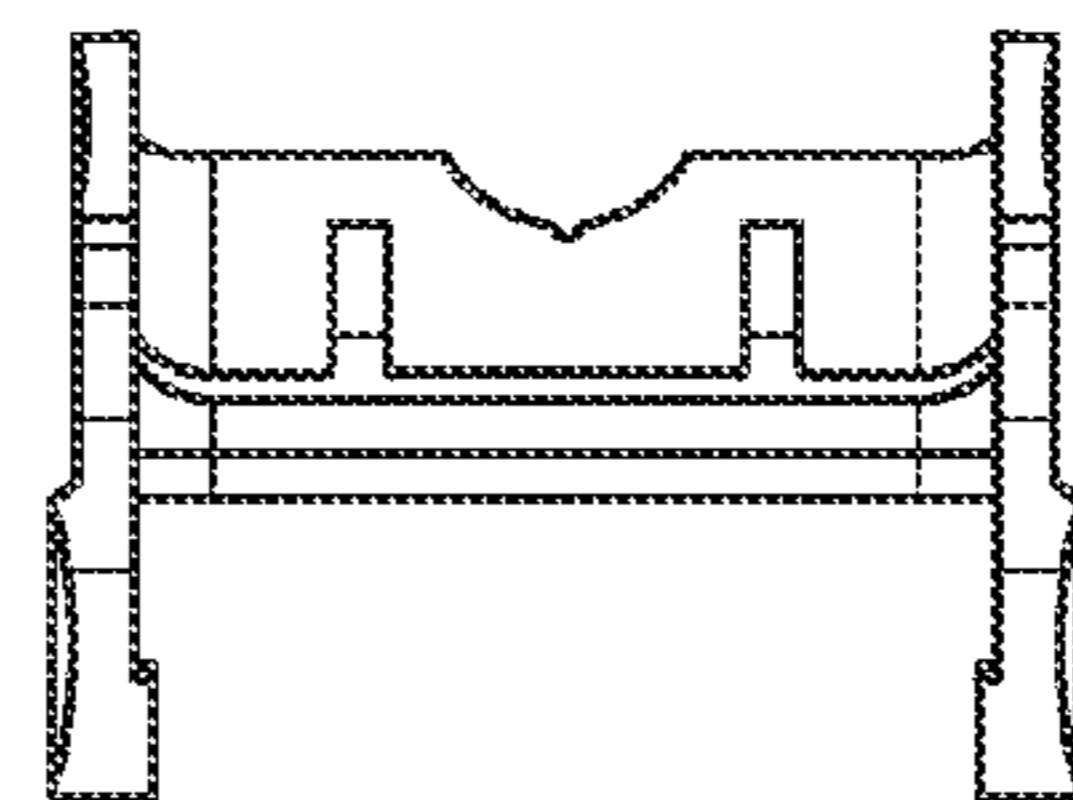
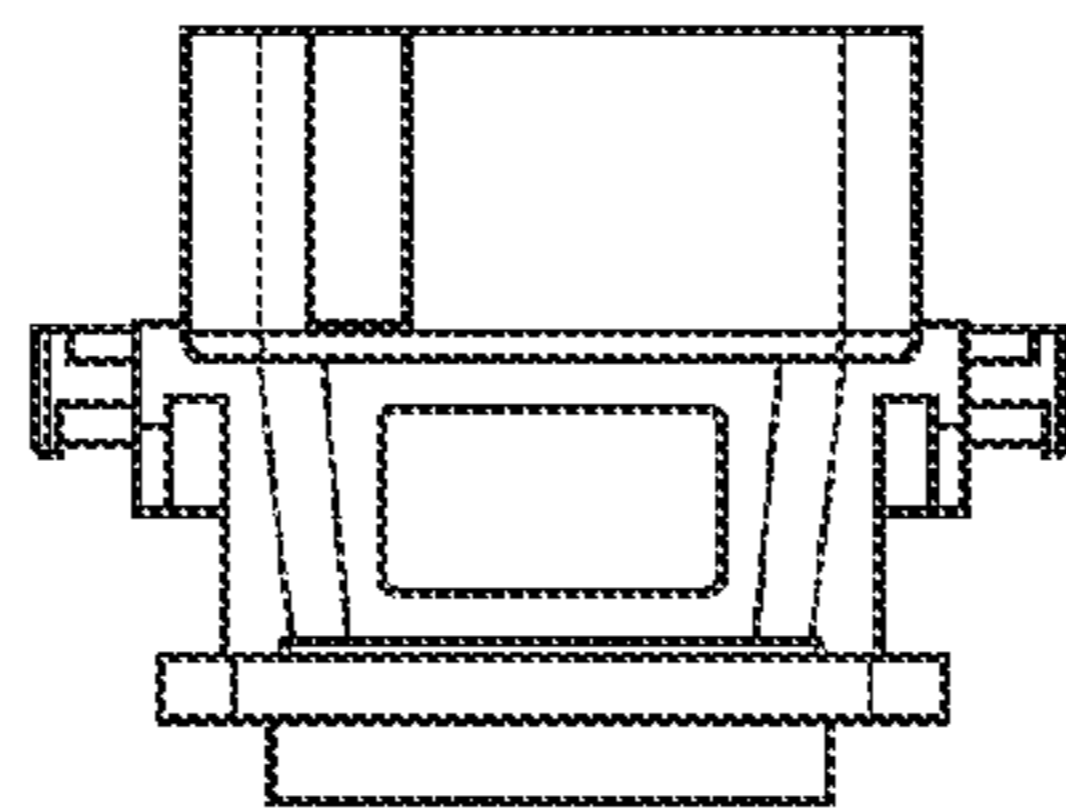
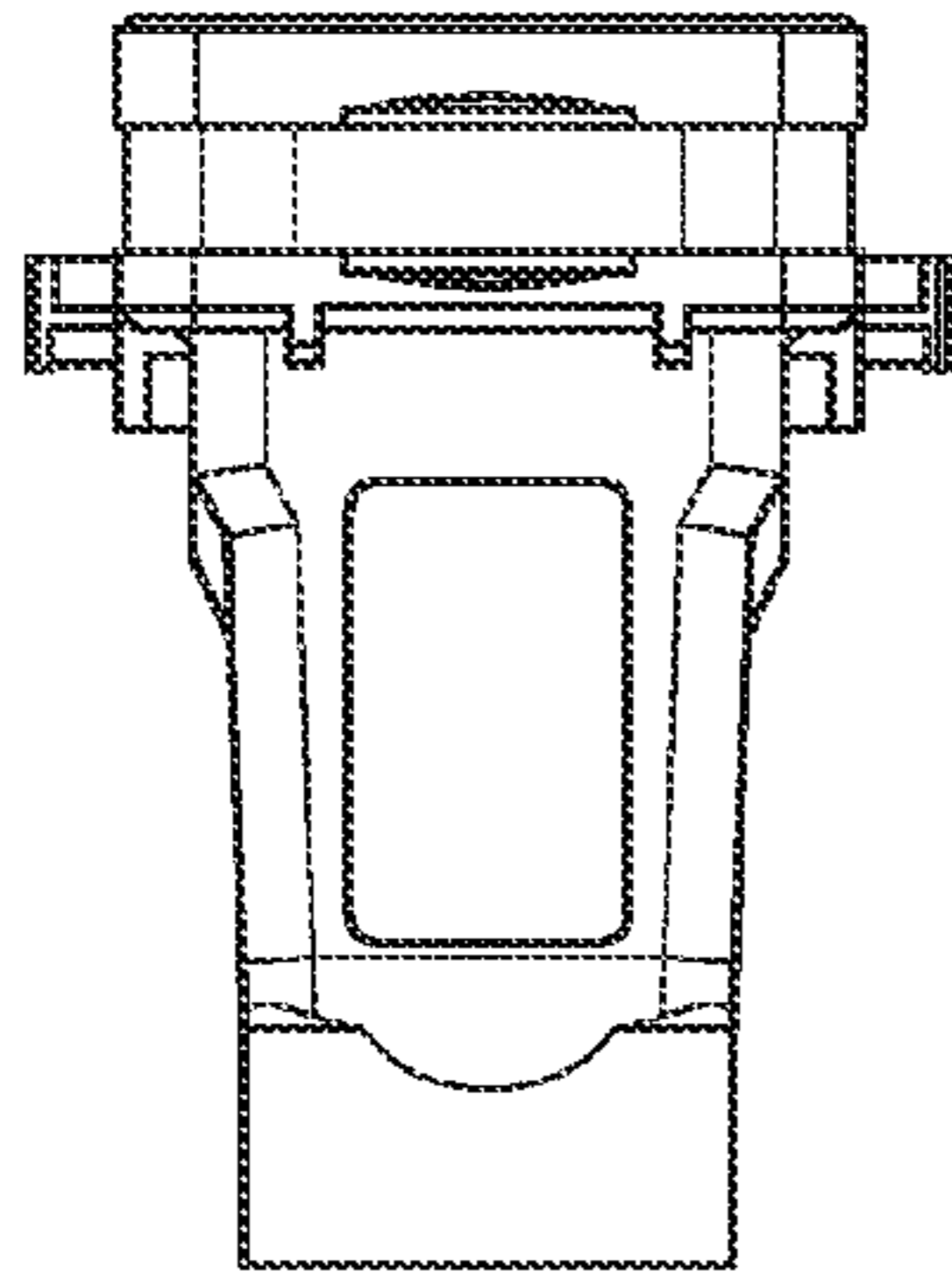


FIG. 2

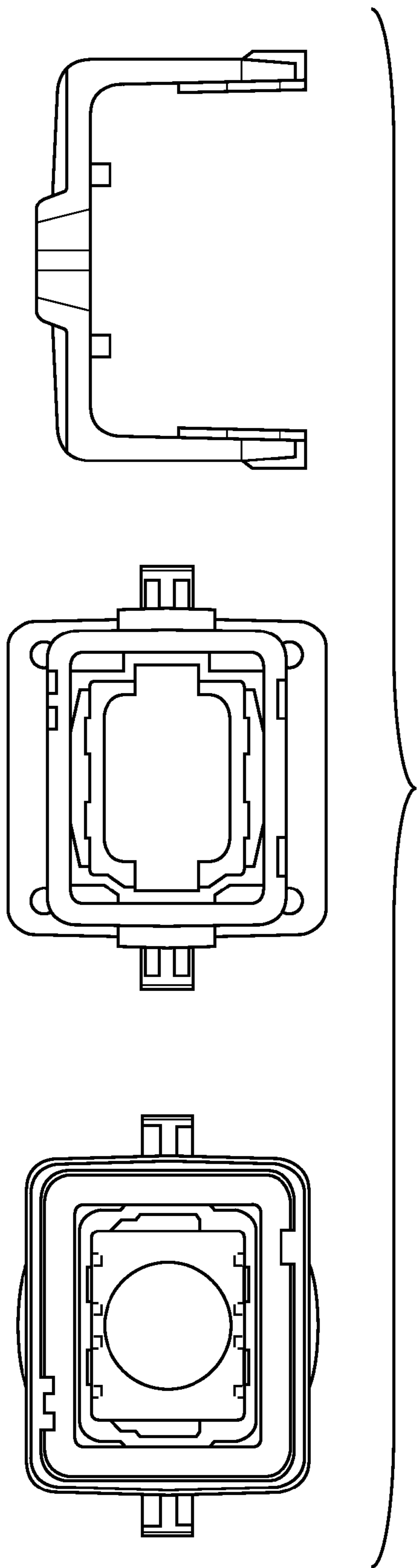


FIG. 3

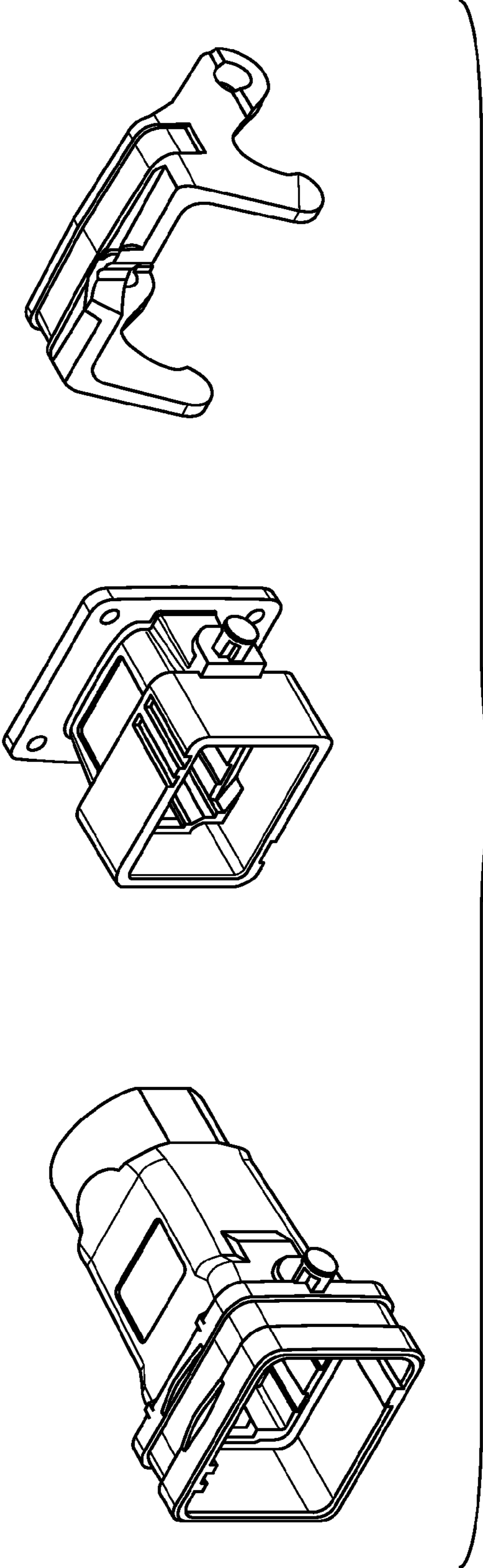


FIG. 4

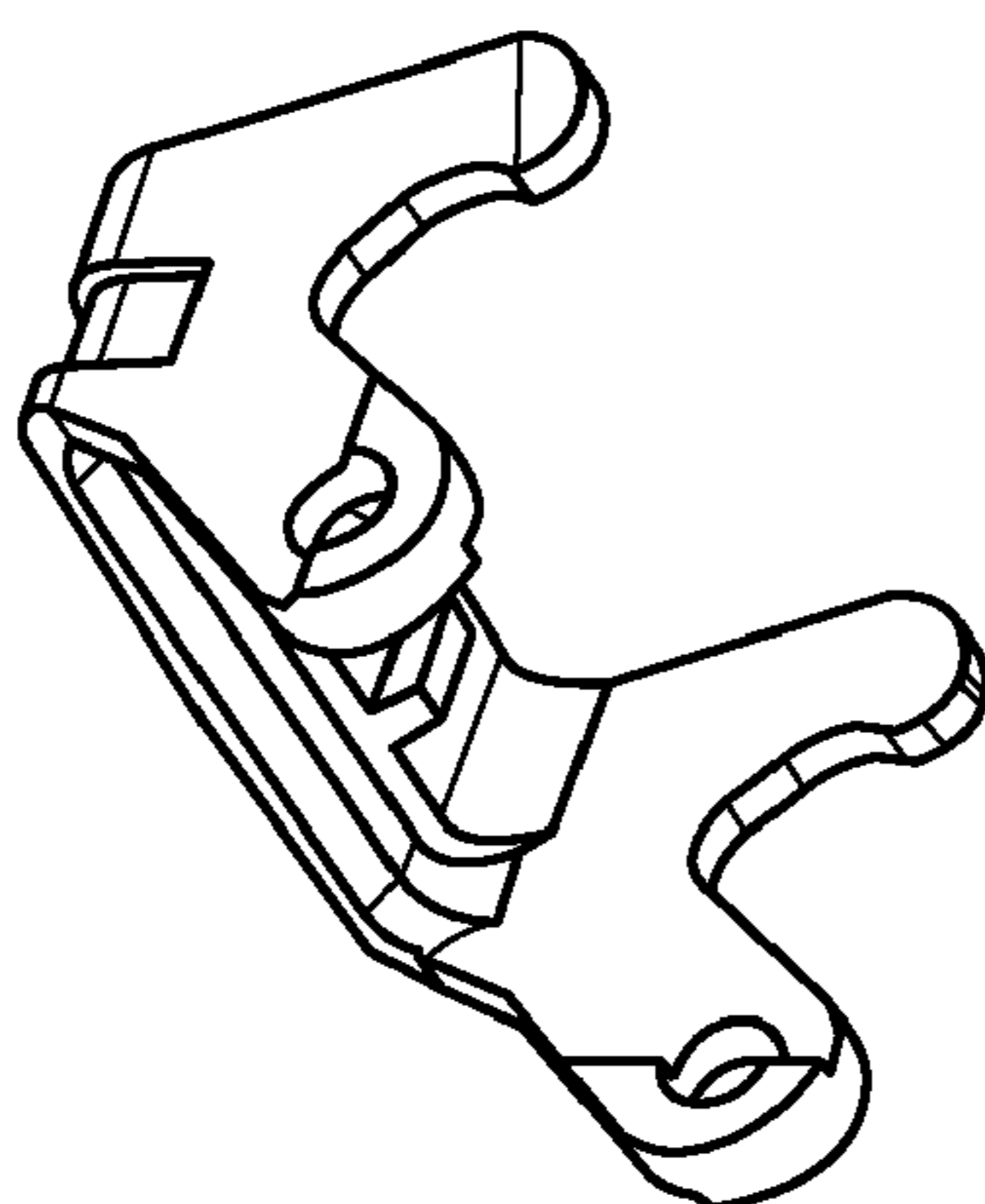
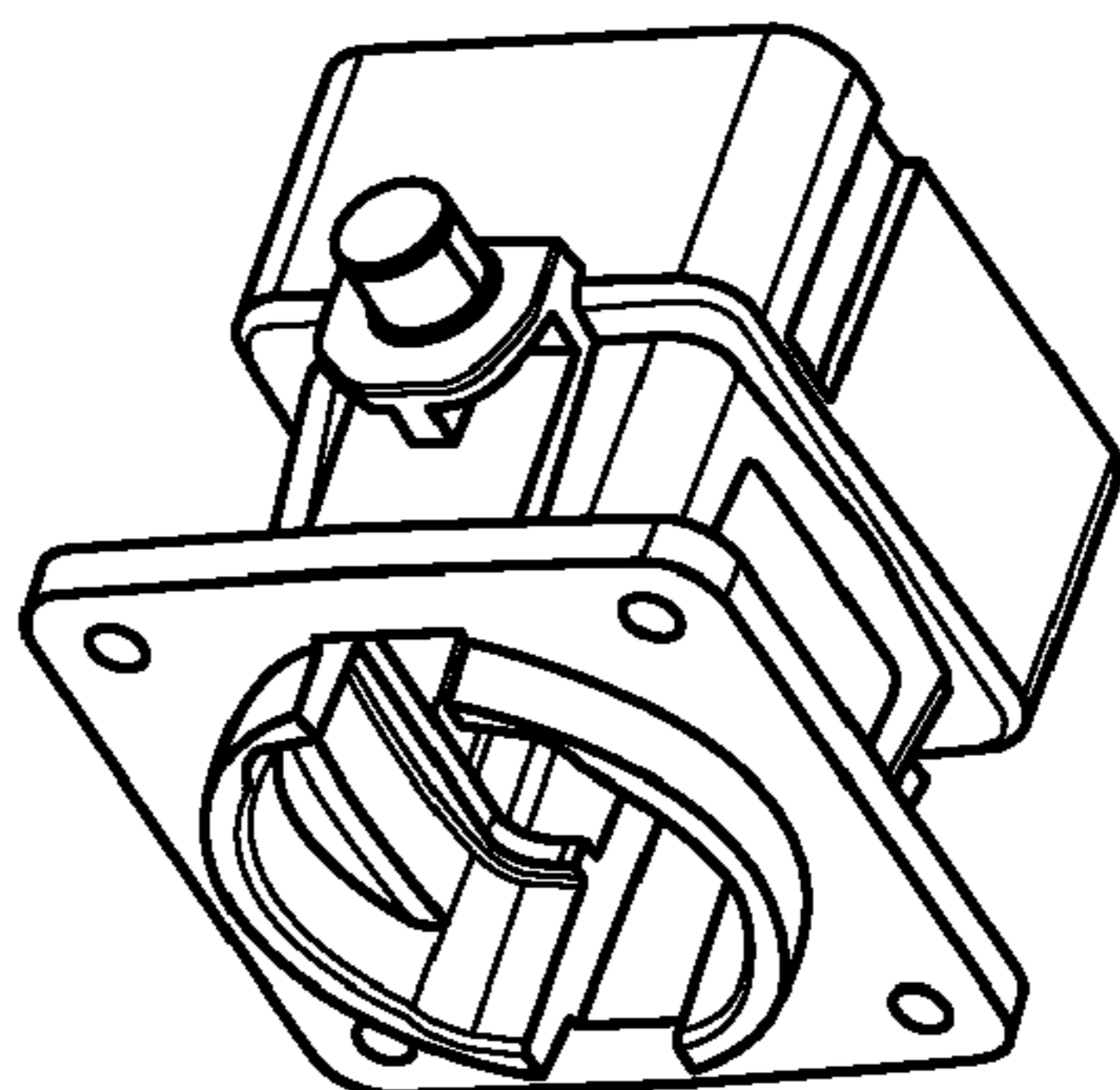
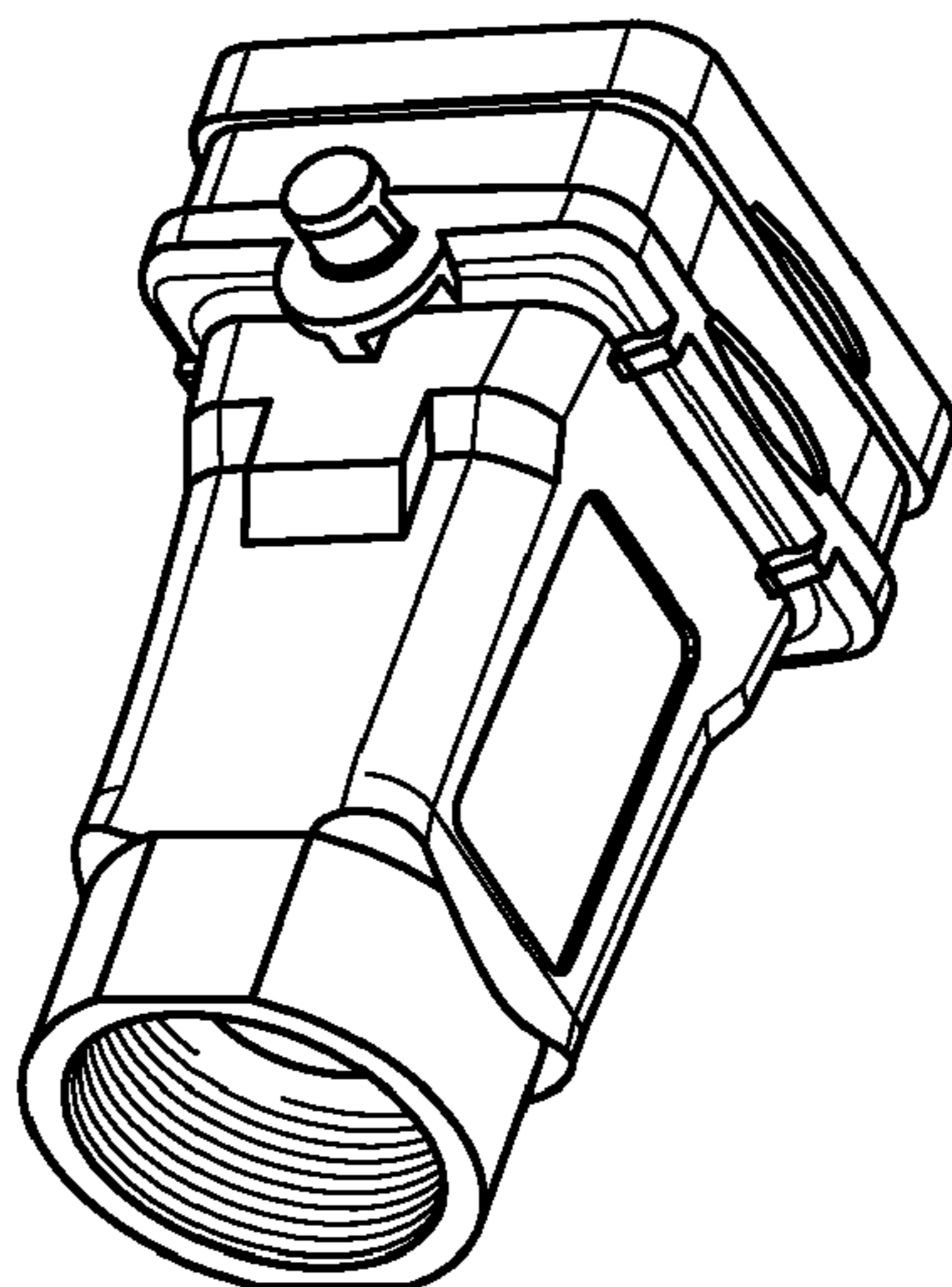


FIG. 5

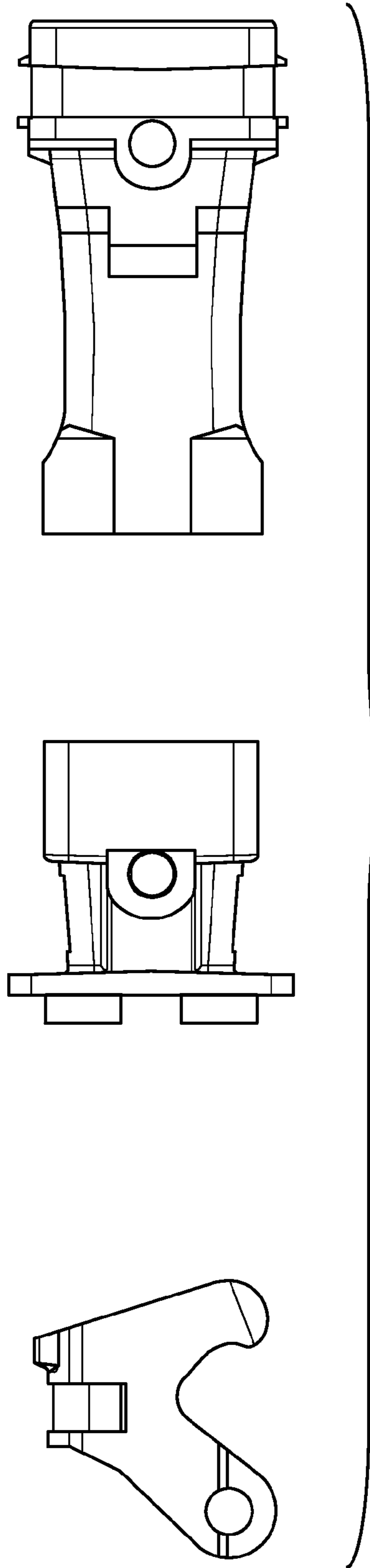


FIG. 6

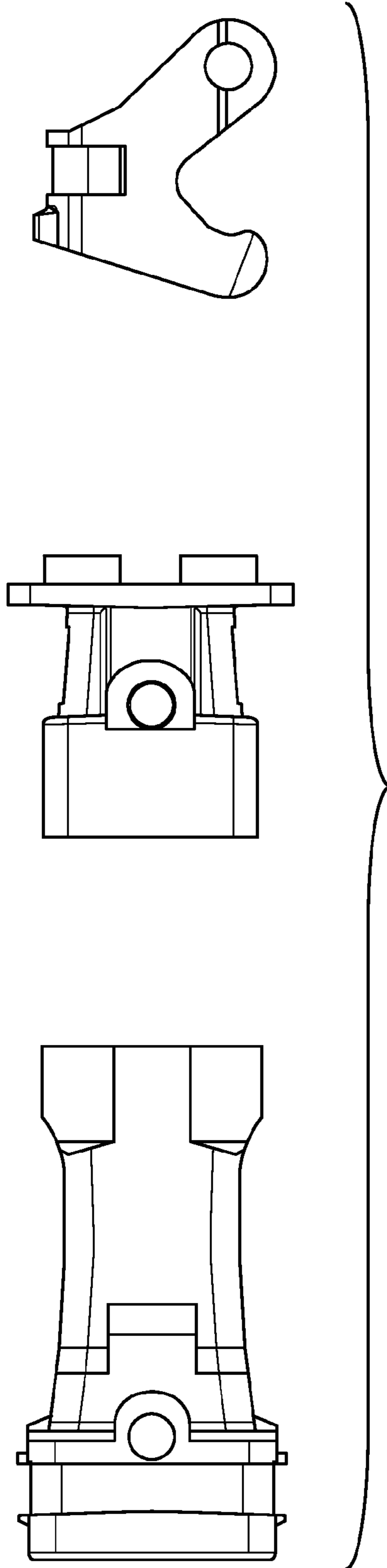


FIG. 7

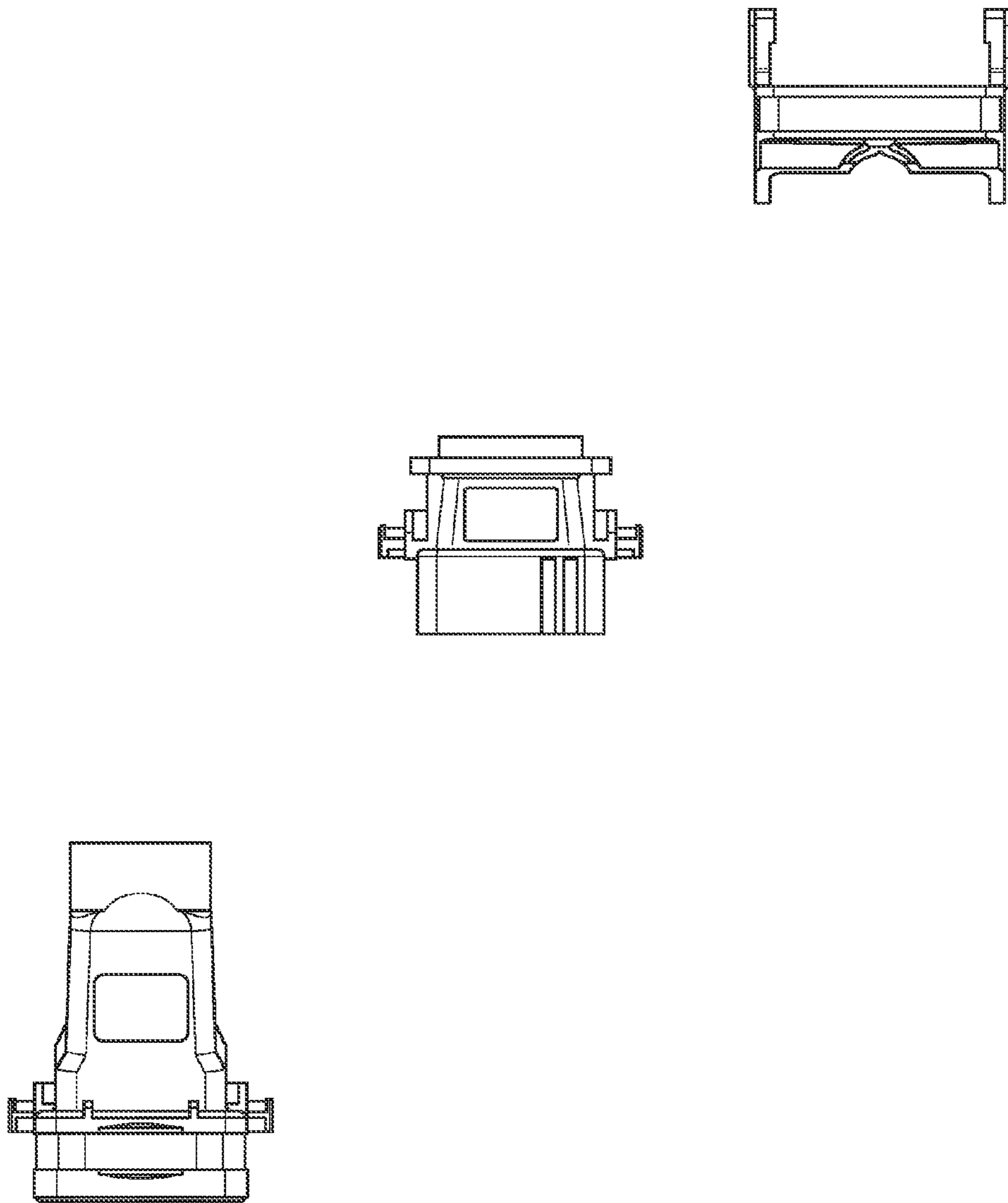


FIG. 8