

US00D620885S

(12) **United States Design Patent**
Donth

(10) **Patent No.:** **US D620,885 S**

(45) **Date of Patent:** **** Aug. 3, 2010**

(54) **INVERTER**

(75) Inventor: **Andreas Donth**, Kassel (DE)

(73) Assignee: **SMA Solar Technology AG**, Niestetal (DE)

(**) Term: **14 Years**

(21) Appl. No.: **29/350,910**

(22) Filed: **Nov. 25, 2009**

(30) **Foreign Application Priority Data**

May 27, 2009 (EM) 001141451-0001

(51) **LOC (9) Cl.** **13-02**

(52) **U.S. Cl.** **D13/110**

(58) **Field of Classification Search** D13/110,
D13/123, 124, 162, 184, 199; 174/50; 307/147,
307/150, 151; 361/600, 601, 676, 730, 801,
361/820; 363/141, 142, 144-147

See application file for complete search history.

(56) **References Cited**

U.S. PATENT DOCUMENTS

5,091,823 A * 2/1992 Kanbara et al. 361/697
5,170,336 A * 12/1992 Getter et al. 363/141
D413,567 S * 9/1999 Person et al. D13/110
D427,146 S * 6/2000 Wei D13/110
D427,148 S * 6/2000 Wei D13/110

D436,918 S * 1/2001 Matsuda D13/110
D507,528 S * 7/2005 Feldman et al. D13/110
7,301,755 B2 * 11/2007 Rodriguez et al. 361/676

* cited by examiner

Primary Examiner—Prabhakar Deshmukh

Assistant Examiner—Derrick Holland

(74) *Attorney, Agent, or Firm*—Panitch Schwarze Belisario & Nadel LLP

(57) **CLAIM**

The ornamental design for an inverter, as shown and described.

DESCRIPTION

FIG. 1 is a front perspective view of an inverter showing my new design;

FIG. 2 is a rear perspective view thereof;

FIG. 3 is a front elevation view thereof;

FIG. 4 is a right-side elevation view thereof;

FIG. 5 is a left-side elevation view thereof;

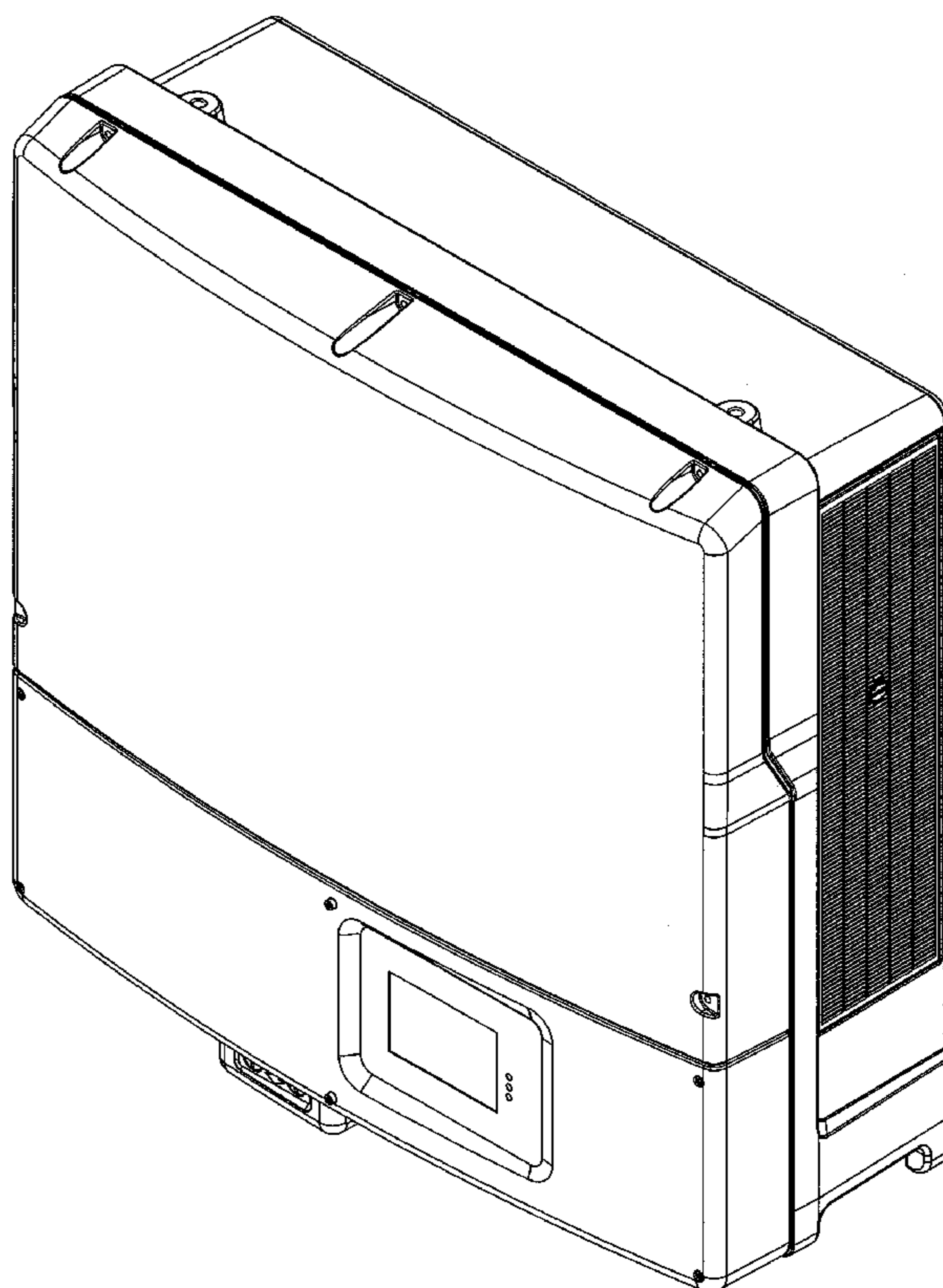
FIG. 6 is a top plan view thereof;

FIG. 7 is a bottom plan view thereof; and,

FIG. 8 is a rear elevation view thereof.

The broken lines shown in the drawings are for illustrative purposes only and form no part of the claimed design.

1 Claim, 8 Drawing Sheets



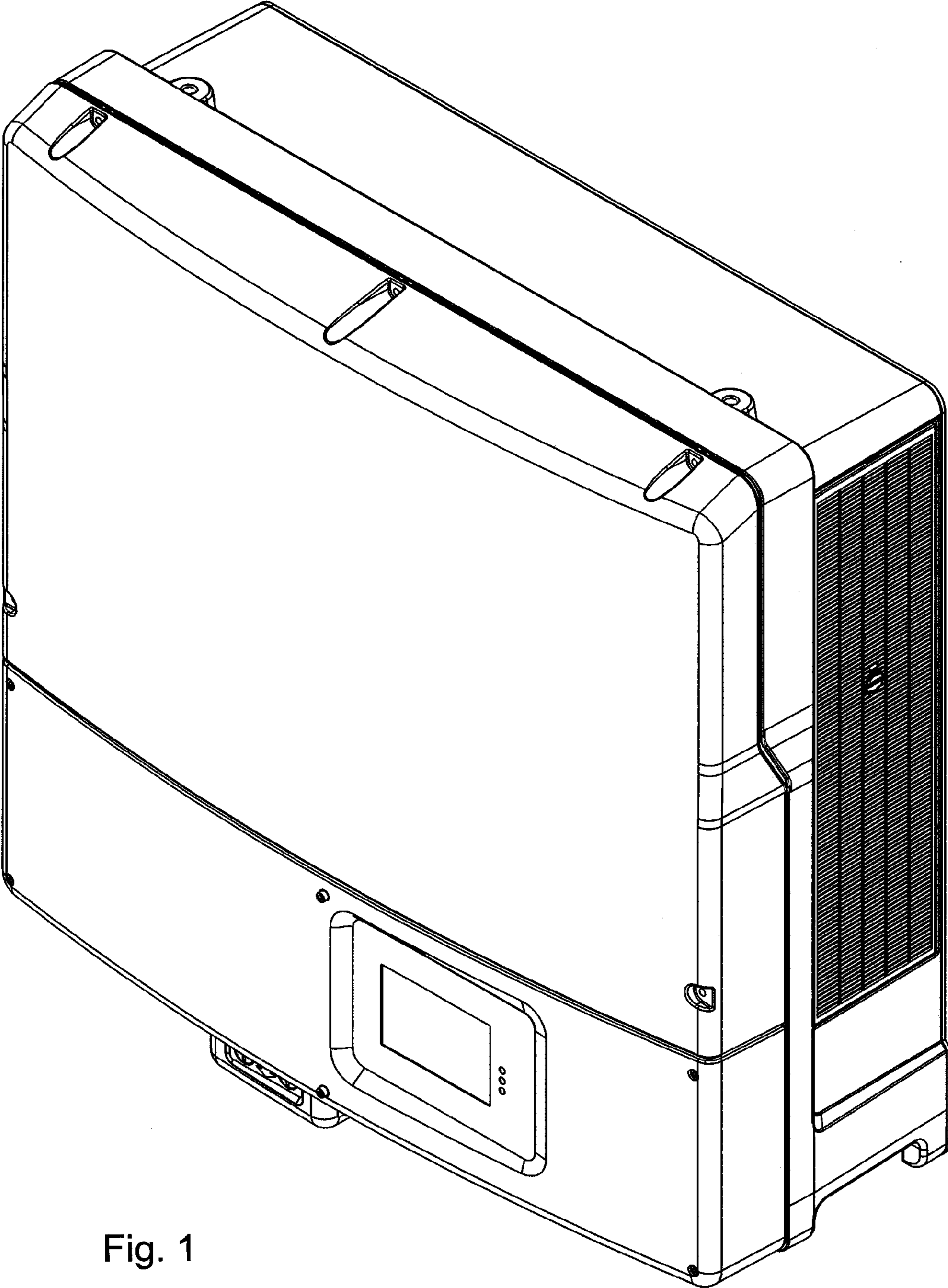


Fig. 1

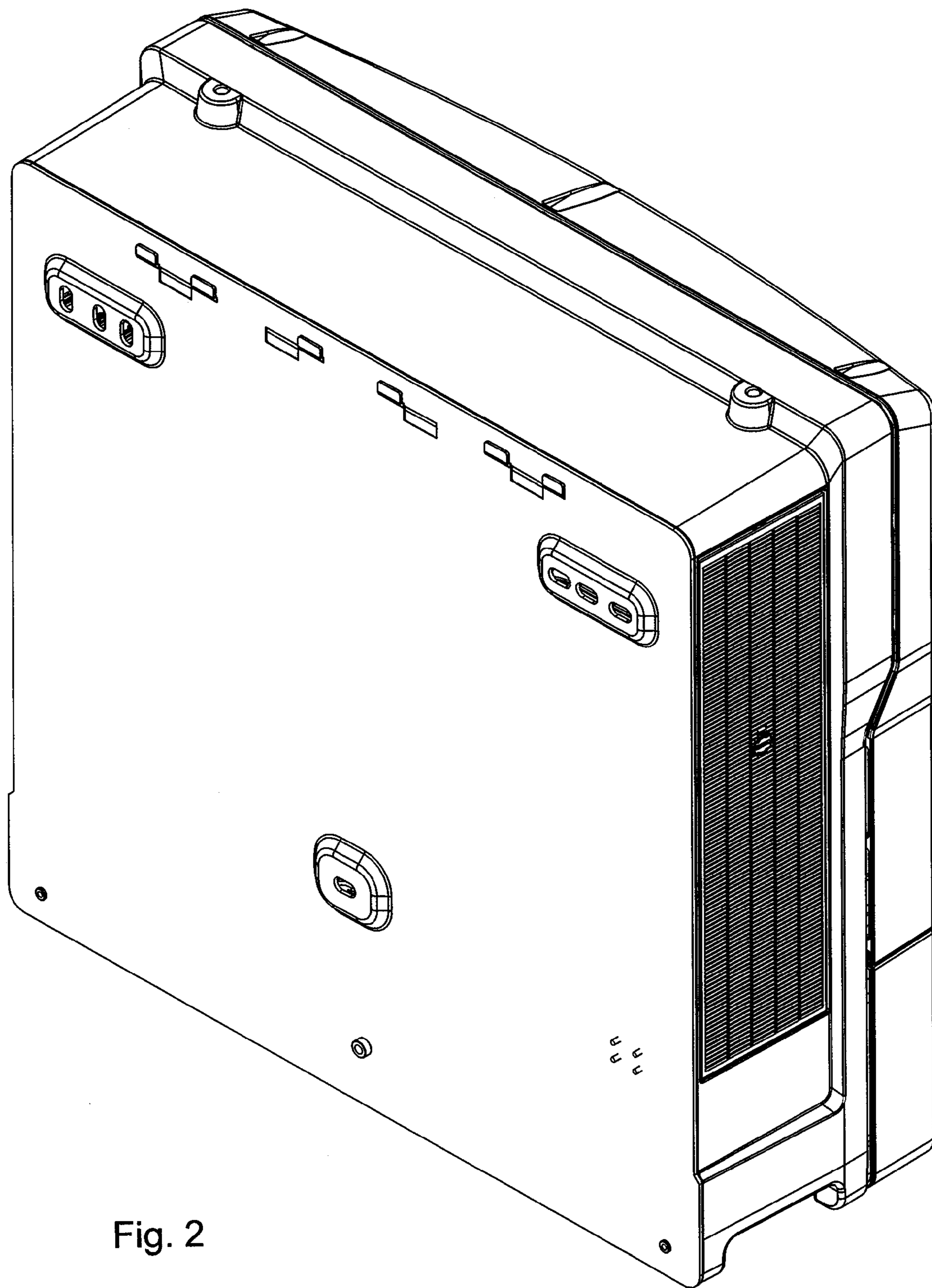


Fig. 2

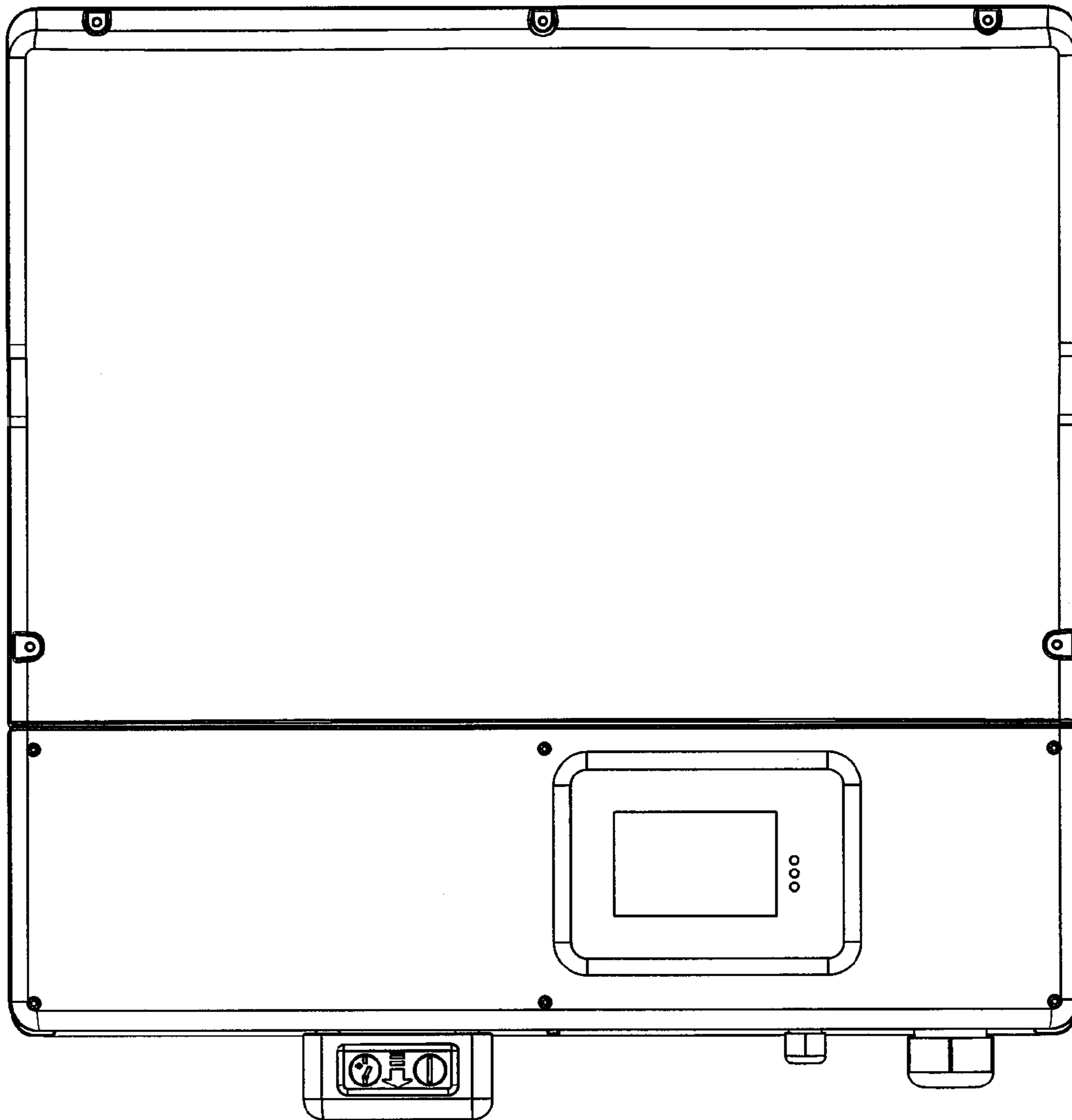


Fig. 3

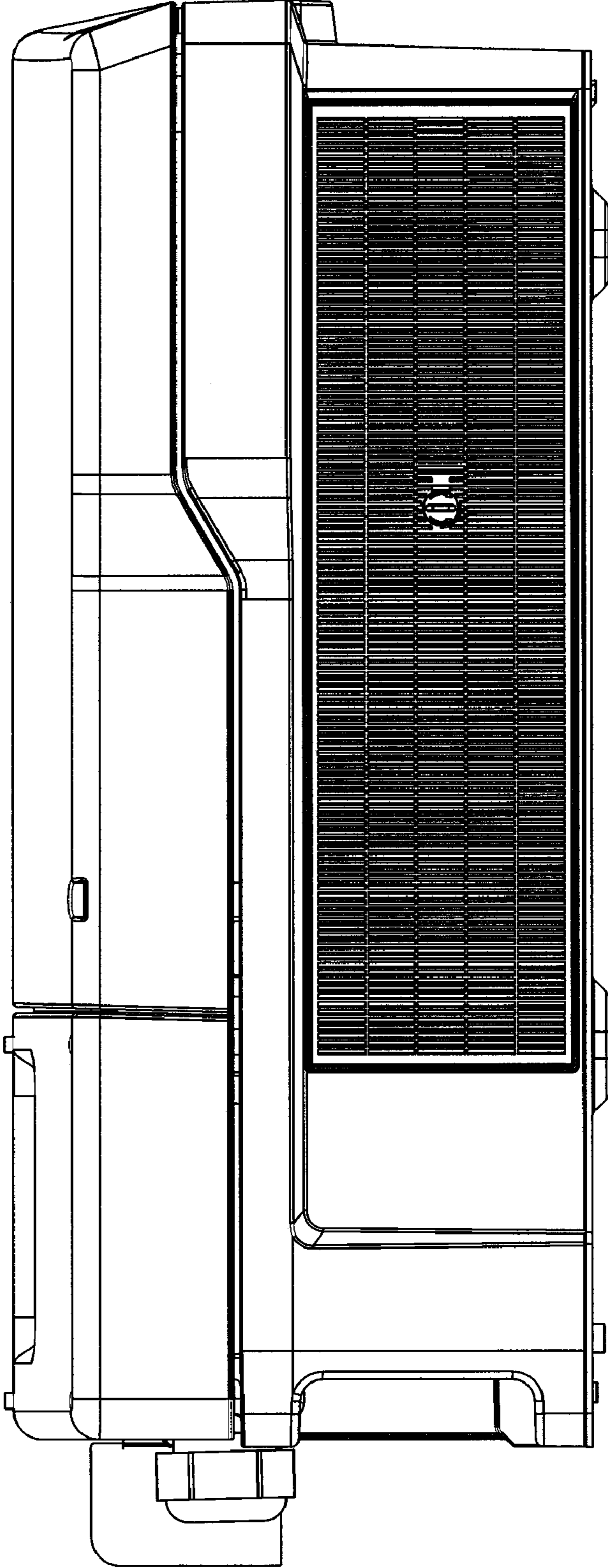


Fig. 4

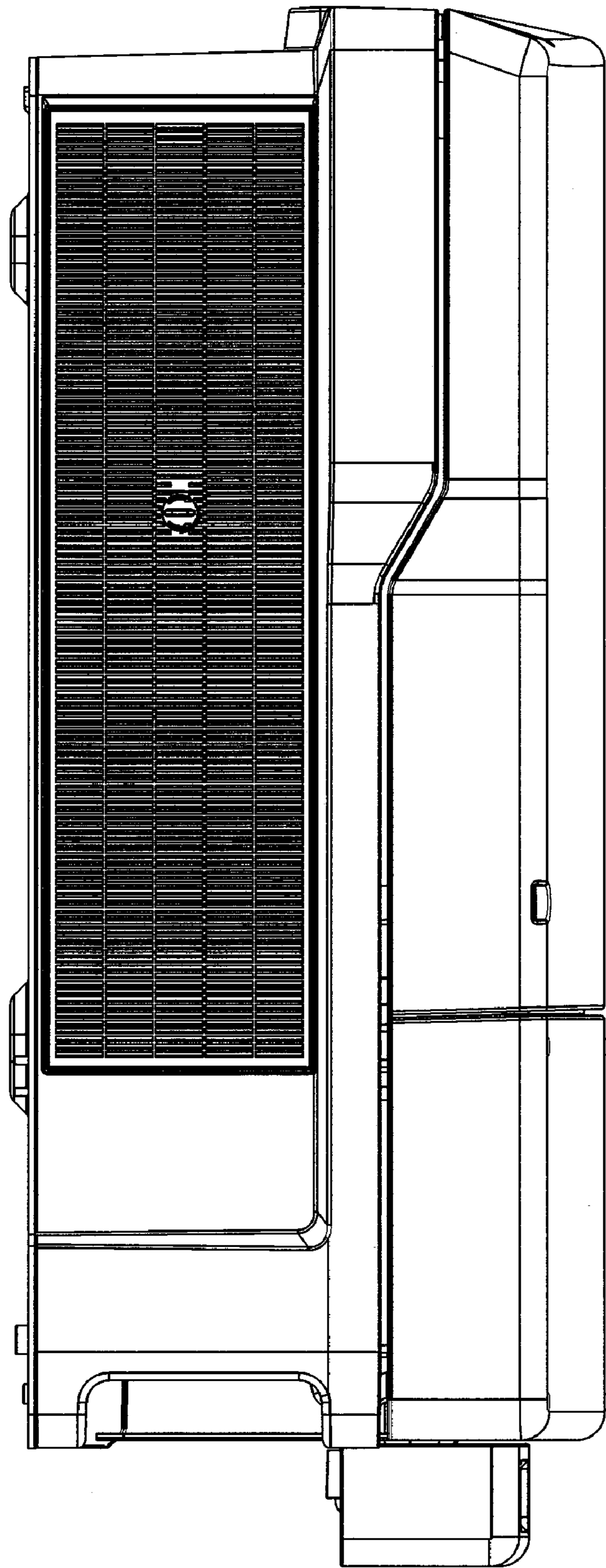


Fig. 5

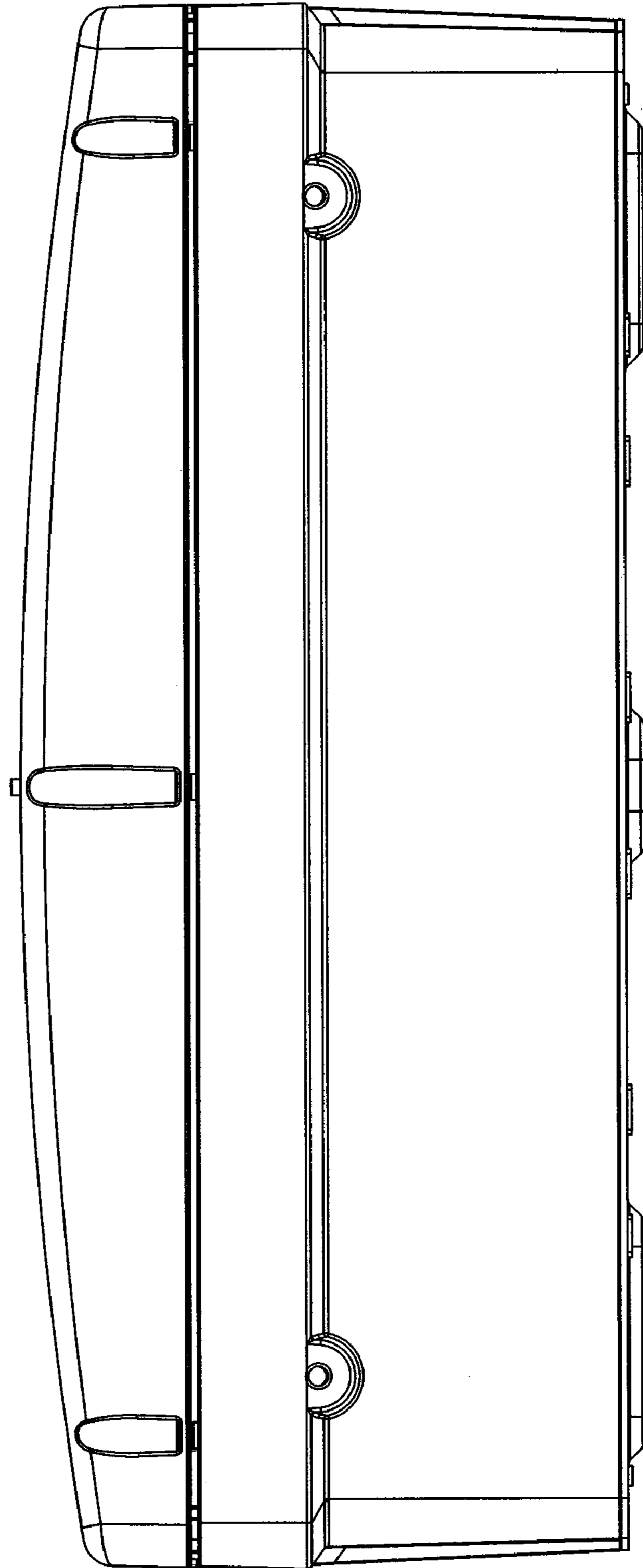


Fig. 6

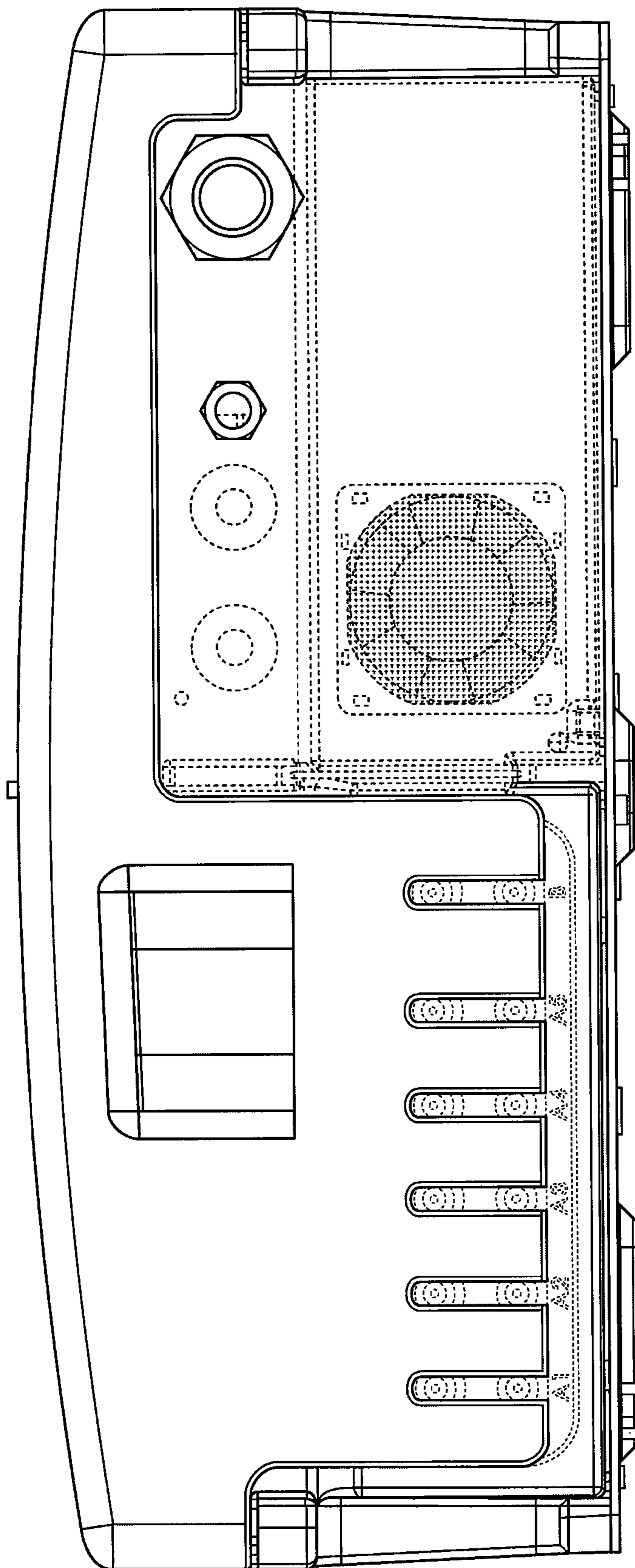


Fig. 7

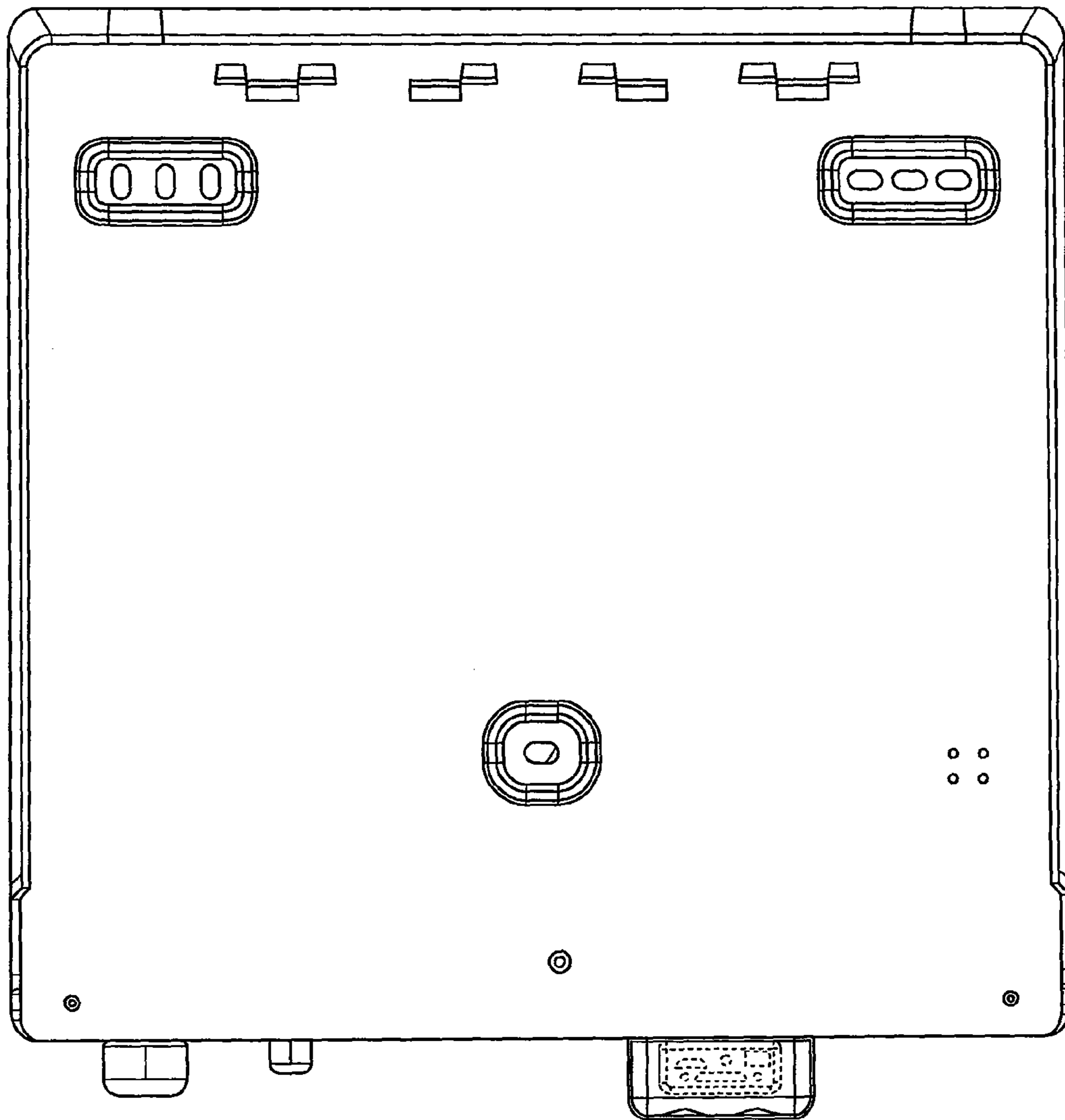


Fig. 8