



US00D620884S

(12) **United States Design Patent**
Lee et al.

(10) **Patent No.:** **US D620,884 S**
(45) **Date of Patent:** **** Aug. 3, 2010**

(54) **CONTACTLESS CHARGER**

(75) Inventors: **Sung-Ho Lee**, Seoul (KR); **Gum-Sool Kim**, Anyang (KR); **Chang-Hwan Hwang**, Seongnam-si (KR)

(73) Assignee: **Samsung Electronics Co., Ltd.**,
Maetan-dong, Yeongtong-gu, Suwon-si,
Gyeonggi-do (KR)

(**) Term: **14 Years**

(21) Appl. No.: **29/359,180**

(22) Filed: **Apr. 7, 2010**

(51) **LOC (9) Cl.** **13-02**

(52) **U.S. Cl.** **D13/108**

(58) **Field of Classification Search** D13/107–110,
D13/118–119, 184, 199; D14/251, 253,
D14/432, 434; 320/107–115

See application file for complete search history.

(56) **References Cited**

U.S. PATENT DOCUMENTS

5,903,133	A	*	5/1999	Amero et al.	320/107
D433,994	S	*	11/2000	Jobs et al.	D13/110
D467,539	S	*	12/2002	Kataoka	D13/108
D521,927	S	*	5/2006	Franck et al.	D13/108
D526,973	S	*	8/2006	Gates et al.	D13/184
D537,409	S	*	2/2007	Suzuki	D13/108

D578,061	S	*	10/2008	Kristensen	D13/110
D594,404	S	*	6/2009	Kuo et al.	D13/107
D602,858	S	*	10/2009	Ellis et al.	D13/108
D608,277	S	*	1/2010	Cano et al.	D13/108
D609,636	S	*	2/2010	Jensen	D13/108

* cited by examiner

Primary Examiner—Rosemary K Tarcza

(57) **CLAIM**

The ornamental design for a contactless charger, as shown and described.

DESCRIPTION

FIG. 1 is a perspective view of a contactless charger showing our new design;

FIG. 2 is a front elevational view thereof;

FIG. 3 is a rear elevational view thereof;

FIG. 4 is a left side elevational view thereof;

FIG. 5 is a right side elevational view thereof;

FIG. 6 is a top plan view thereof;

FIG. 7 is a bottom plan view thereof; and,

FIG. 8 is a perspective view of the contactless charger showing our new design in a state in which the upper part of the contactless charger is rotated and tilted toward the front.

1 Claim, 6 Drawing Sheets

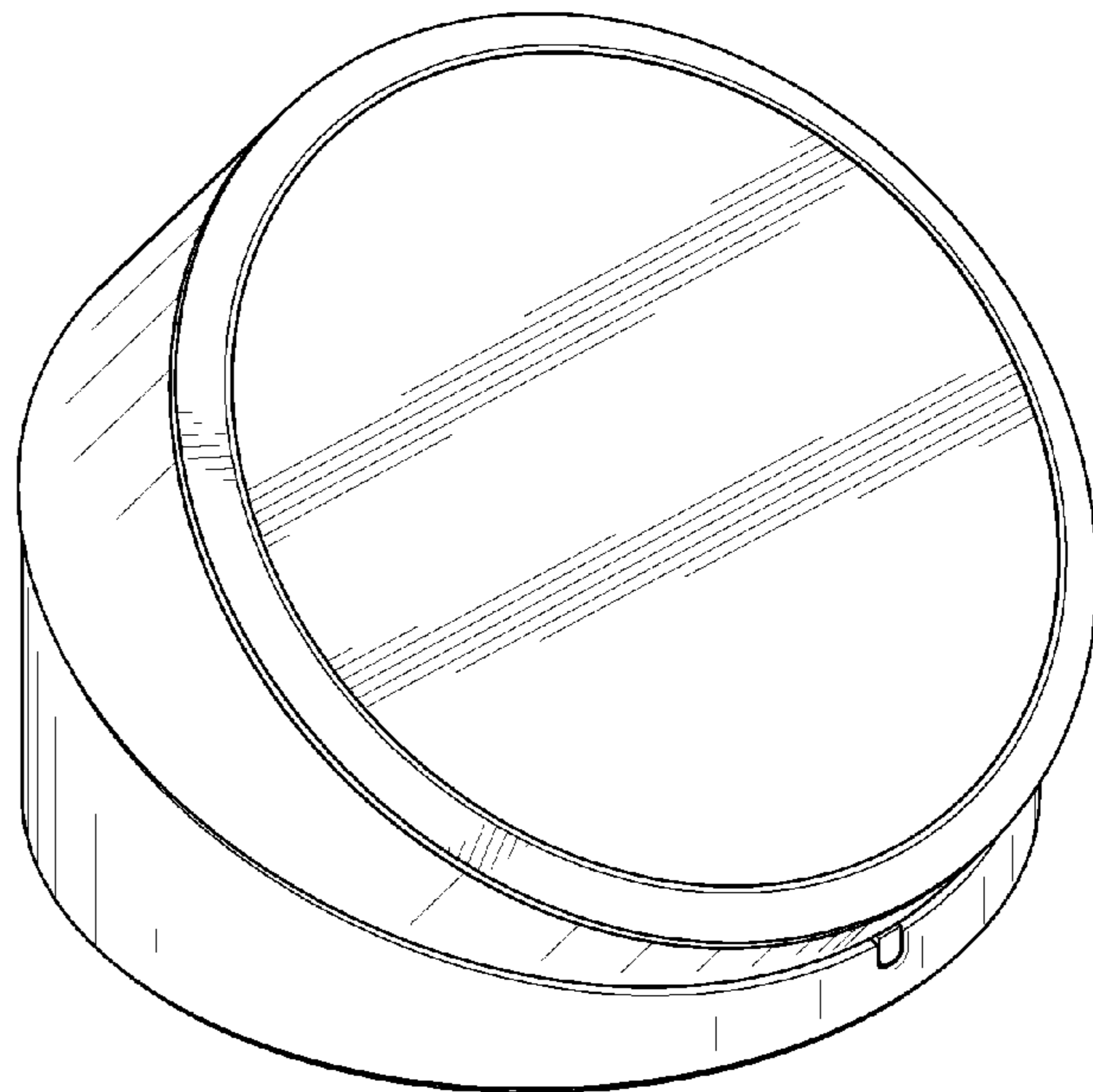
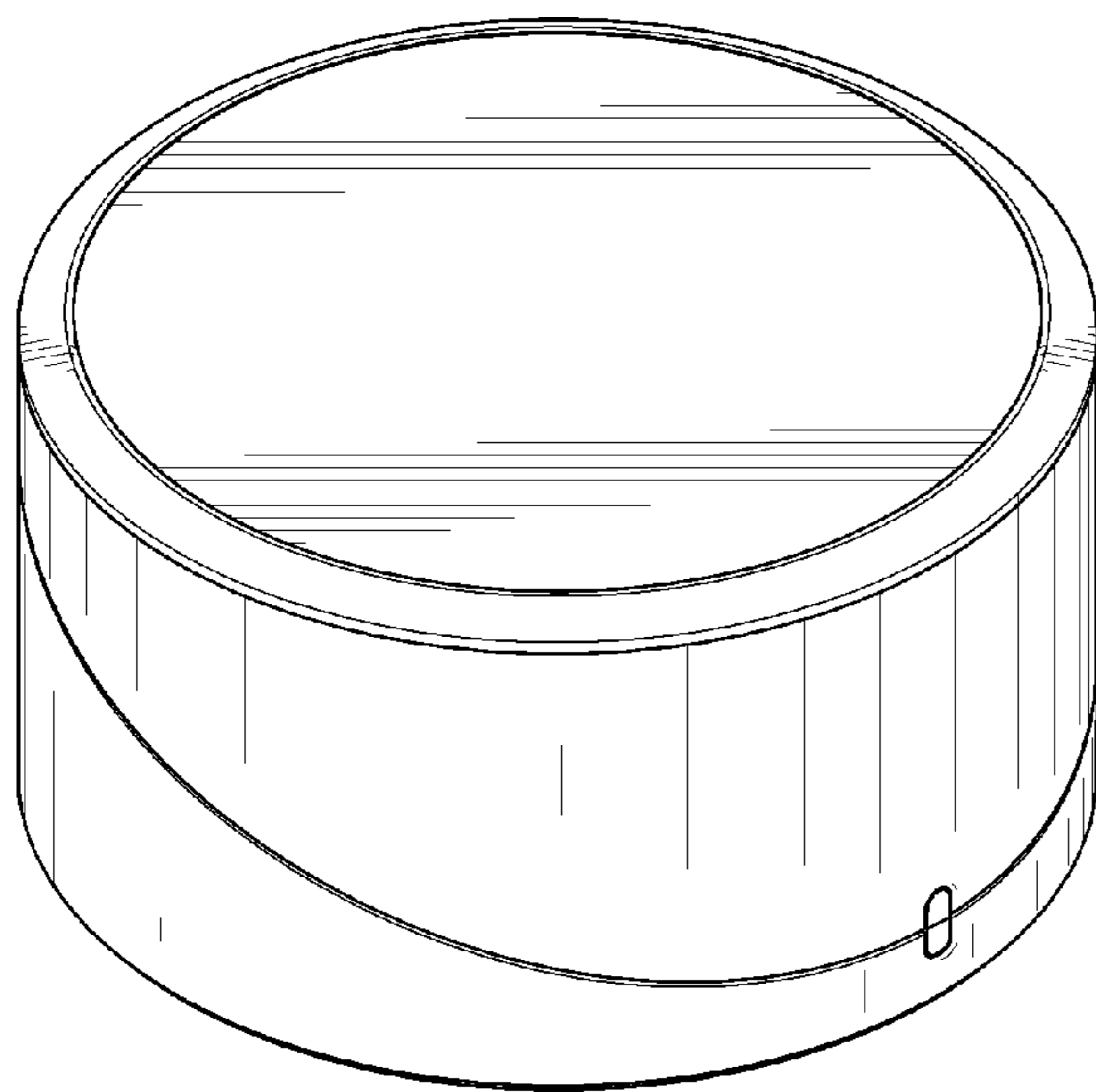


FIG. 1

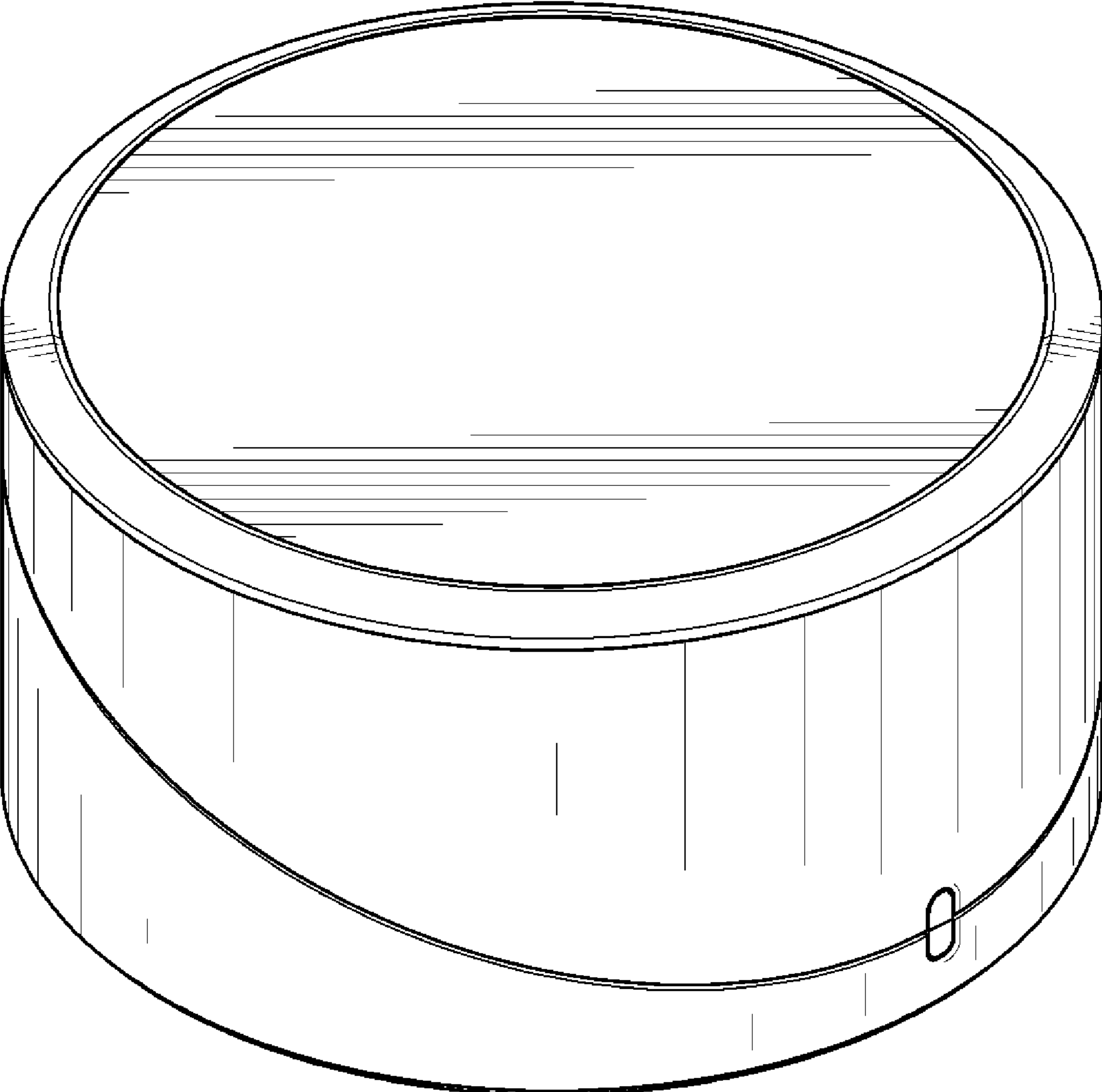


FIG.2

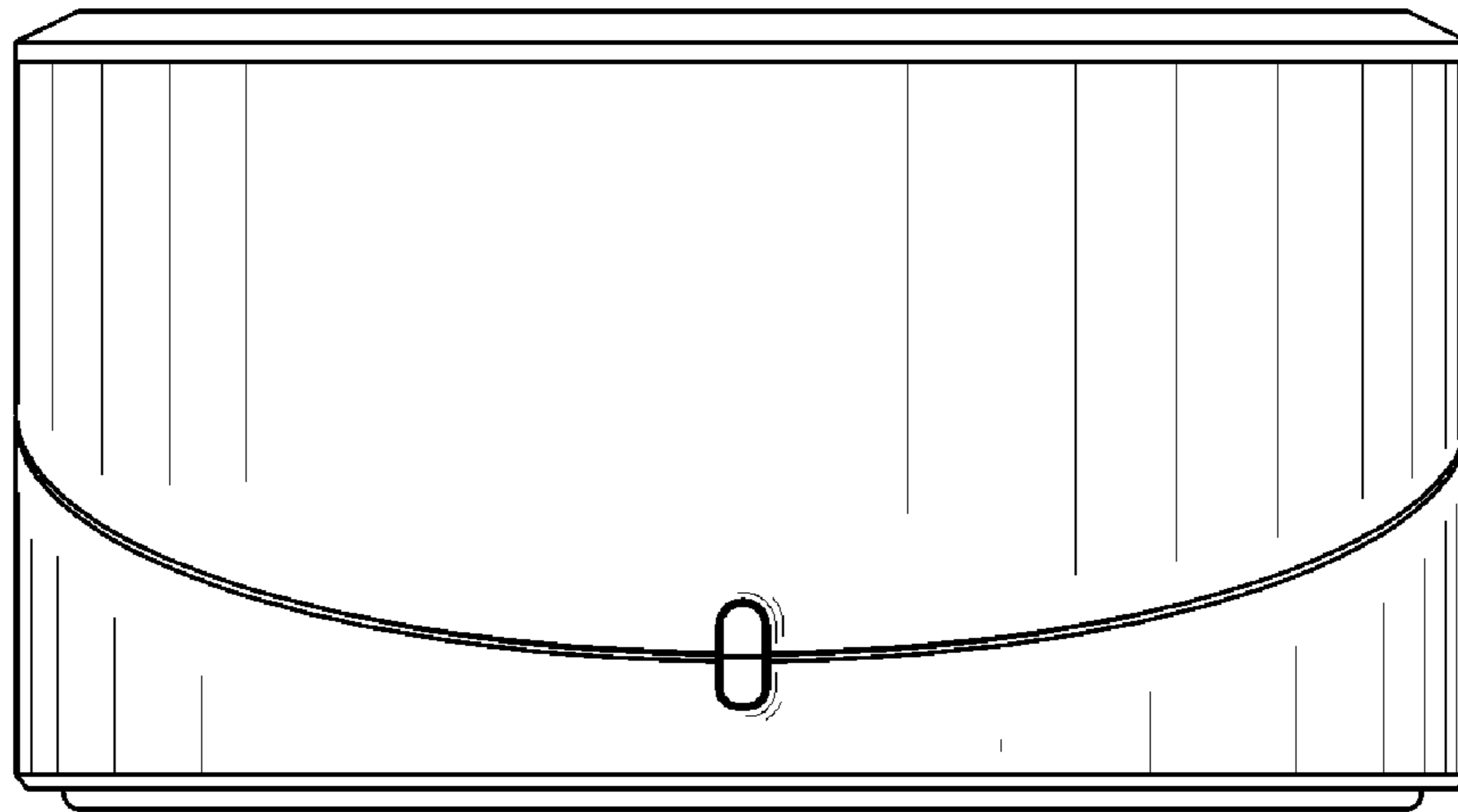


FIG.3

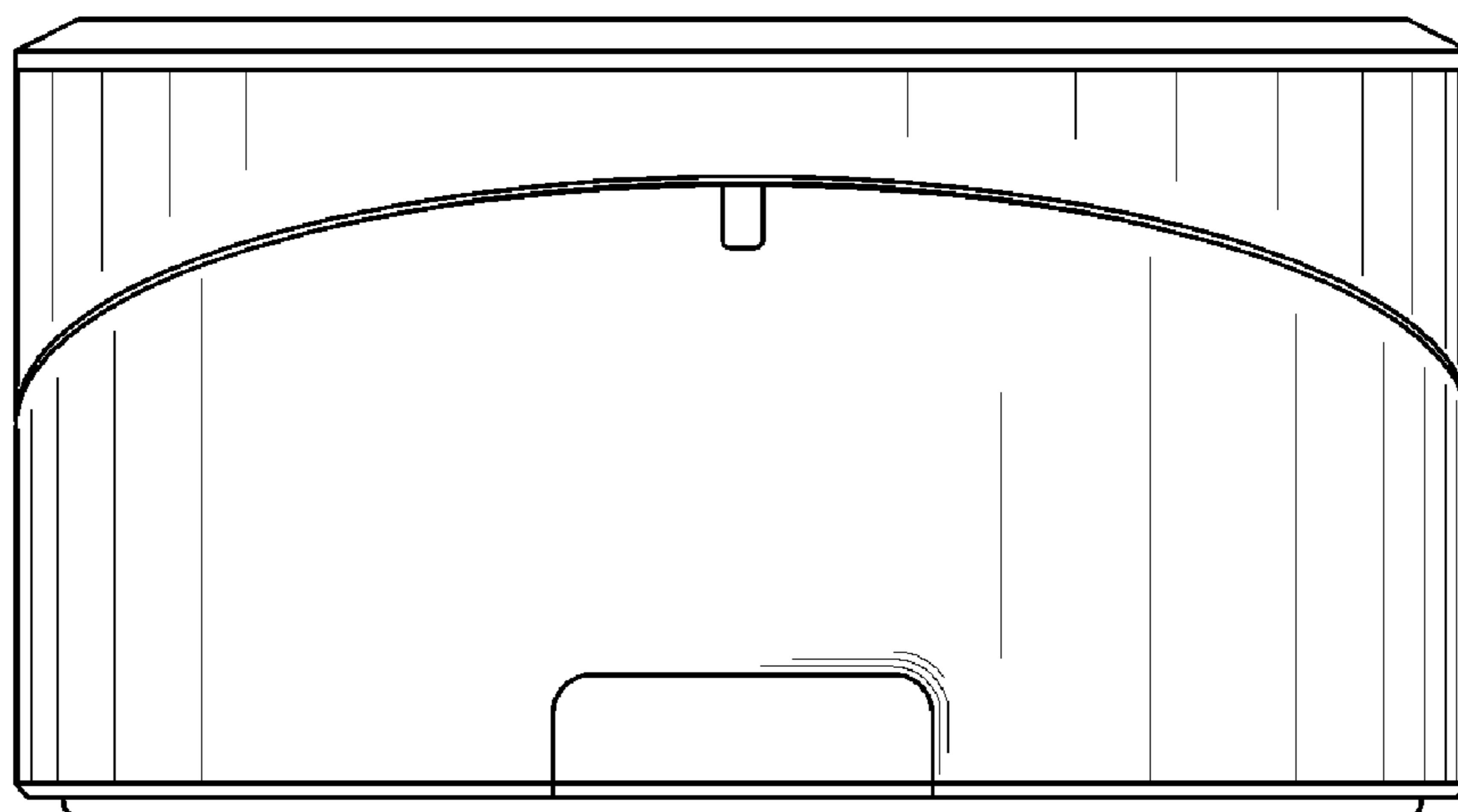


FIG.4

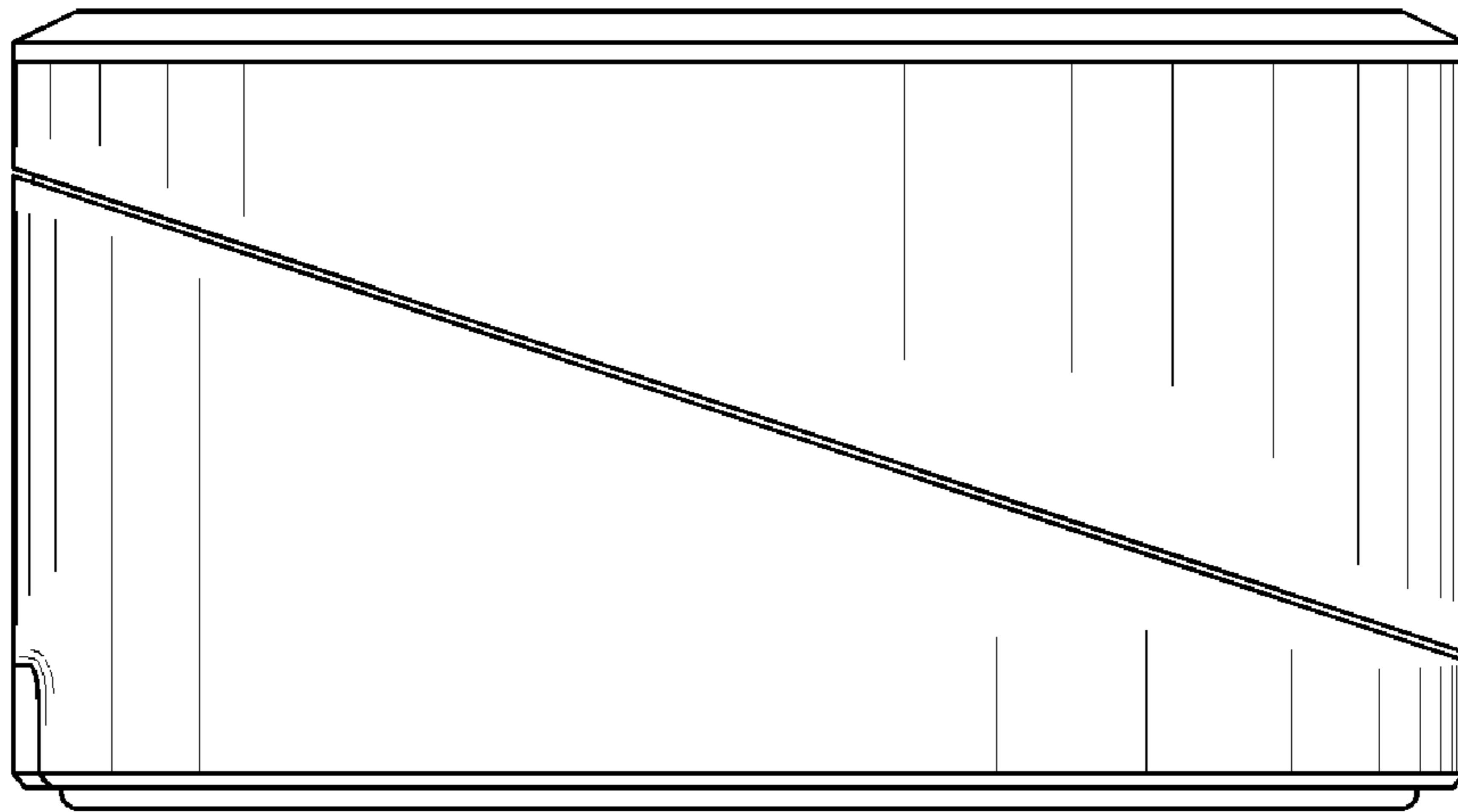


FIG.5

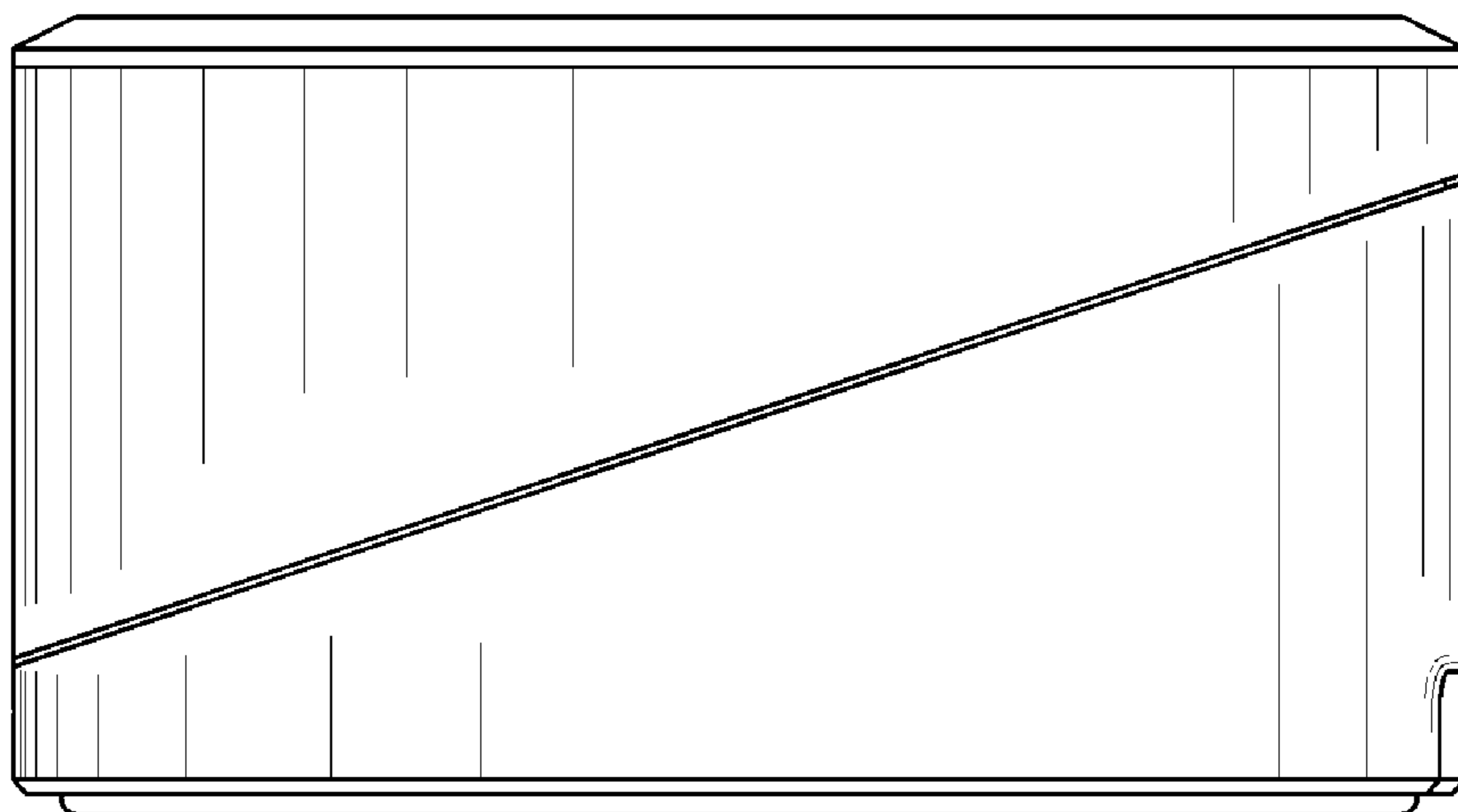


FIG.6

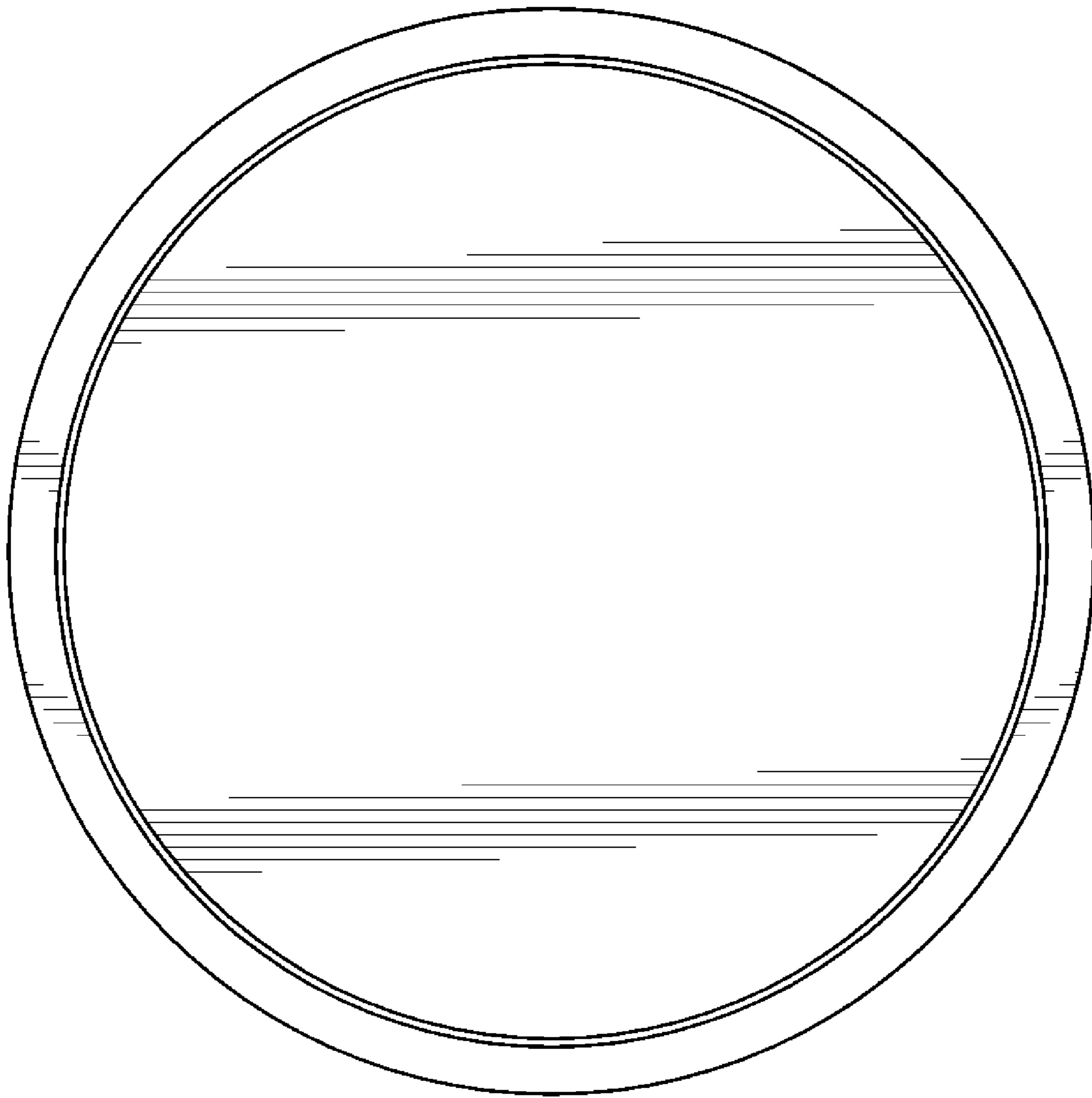


FIG. 7

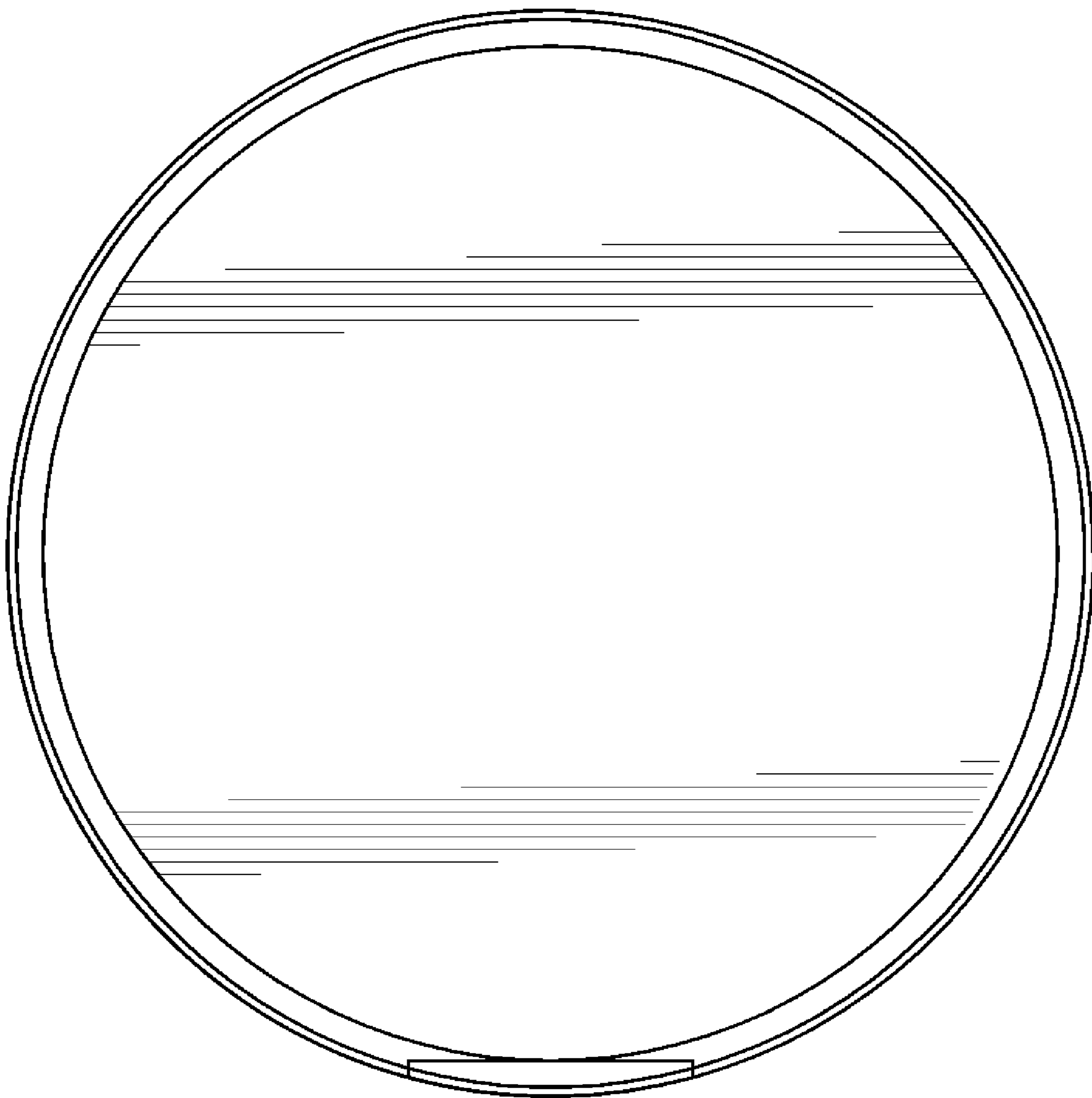


FIG.8

