



US00D620882S

(12) **United States Design Patent**
Houghton

(10) **Patent No.:** **US D620,882 S**

(45) **Date of Patent:** **** Aug. 3, 2010**

(54) **CHARGER BASE FOR A HAND-HELD VACUUM CLEANER**

D592,593 S * 5/2009 Crawley D13/108
2005/0017681 A1 * 1/2005 Ogishima et al. 320/112

(75) Inventor: **Stephen Houghton**, Newcastle Upon Tyne (GB)

* cited by examiner

Primary Examiner—Rosemary K Tarcza

(73) Assignee: **Black & Decker Inc.**, Newark, DE (US)

(74) *Attorney, Agent, or Firm*—John Yun; Bruce S. Shapiro; Stephen Valancius

(**) Term: **14 Years**

(21) Appl. No.: **29/353,599**

(57) **CLAIM**

(22) Filed: **Jan. 12, 2010**

The ornamental design for a charger base for a hand-held vacuum cleaner, as shown and described.

(30) **Foreign Application Priority Data**

DESCRIPTION

Jul. 13, 2009 (EP) 001151716-0001

FIG. 1 is a perspective view of a charger base for a hand-held vacuum cleaner showing my new design.

(51) **LOC (9) Cl.** **13-02**

FIG. 2 is a left side view of the charger base according to FIG. 1.

(52) **U.S. Cl.** **D13/108; D32/31**

(58) **Field of Classification Search** D13/107,
D13/110, 133, 155, 184, 199; D14/251,
D14/253, 432, 434; 320/107-115; 32/25,
32/31

FIG. 3 is a right side view of the charger base according to FIG. 1.

See application file for complete search history.

FIG. 4 is a front view of the charger according to FIG. 1.

(56) **References Cited**

U.S. PATENT DOCUMENTS

D282,289 S * 1/1986 Verdier D26/46
D307,016 S * 4/1990 Watanabe D14/240
D519,450 S * 4/2006 Lyman et al. D13/108
D521,928 S * 5/2006 Shimizu D13/108
D530,717 S * 10/2006 Mori et al. D14/434
D559,484 S * 1/2008 Fjellman D32/31
D564,445 S * 3/2008 Stratford D13/108
D584,731 S * 1/2009 Montgomery et al. D14/434

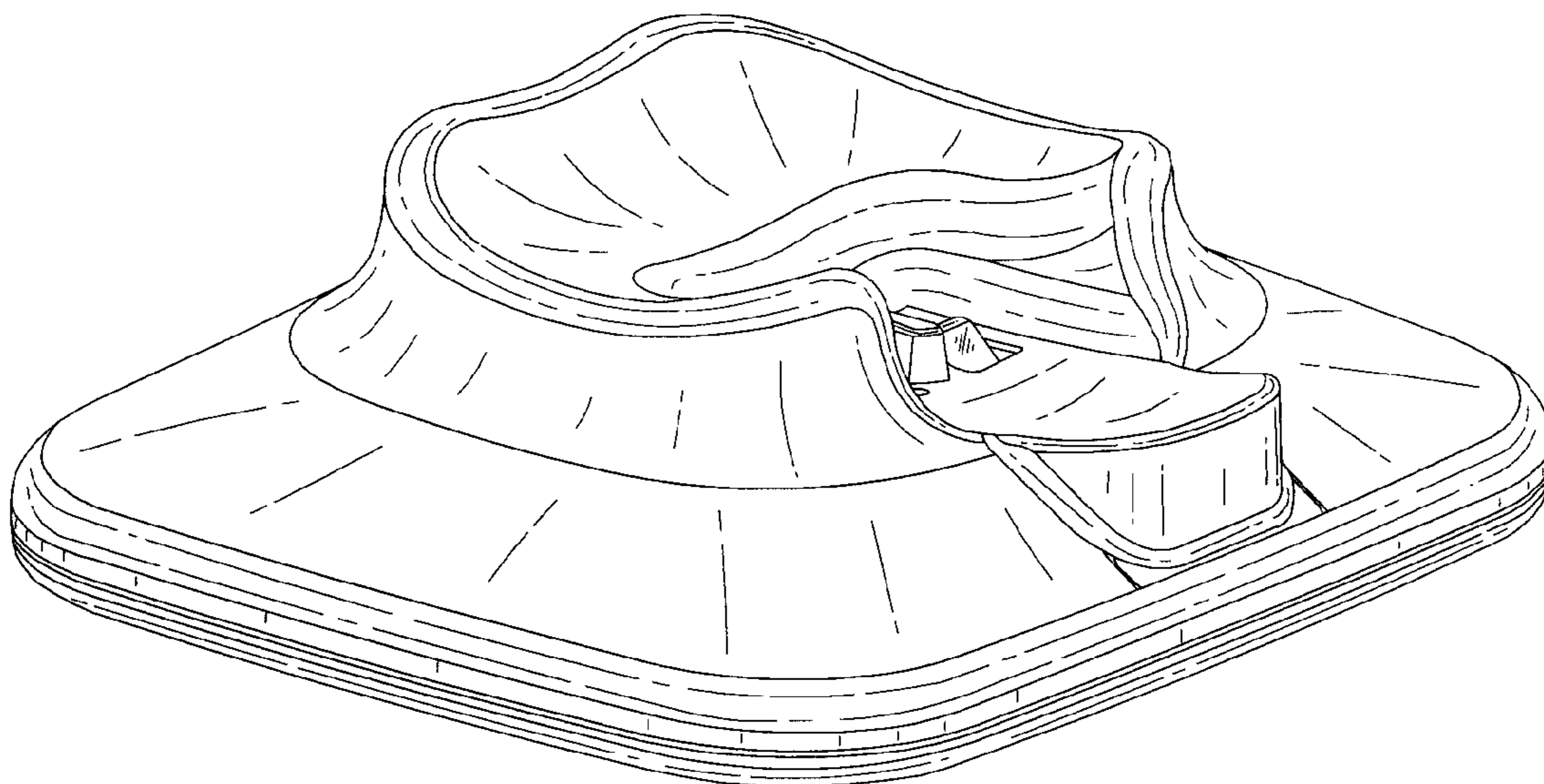
FIG. 5 is a rear view of the charger base according to FIG. 1.

FIG. 6 is a top view of the charger base for a hand-held vacuum cleaner according to FIG. 1; and,

FIG. 7 is a bottom view of the charger base for a hand-held vacuum cleaner according to FIG. 1.

The broken lines shown in the drawings are included for the purpose of illustrating unclaimed portions of the charger base for a hand-held vacuum cleaner and form no part of the claimed design.

1 Claim, 5 Drawing Sheets



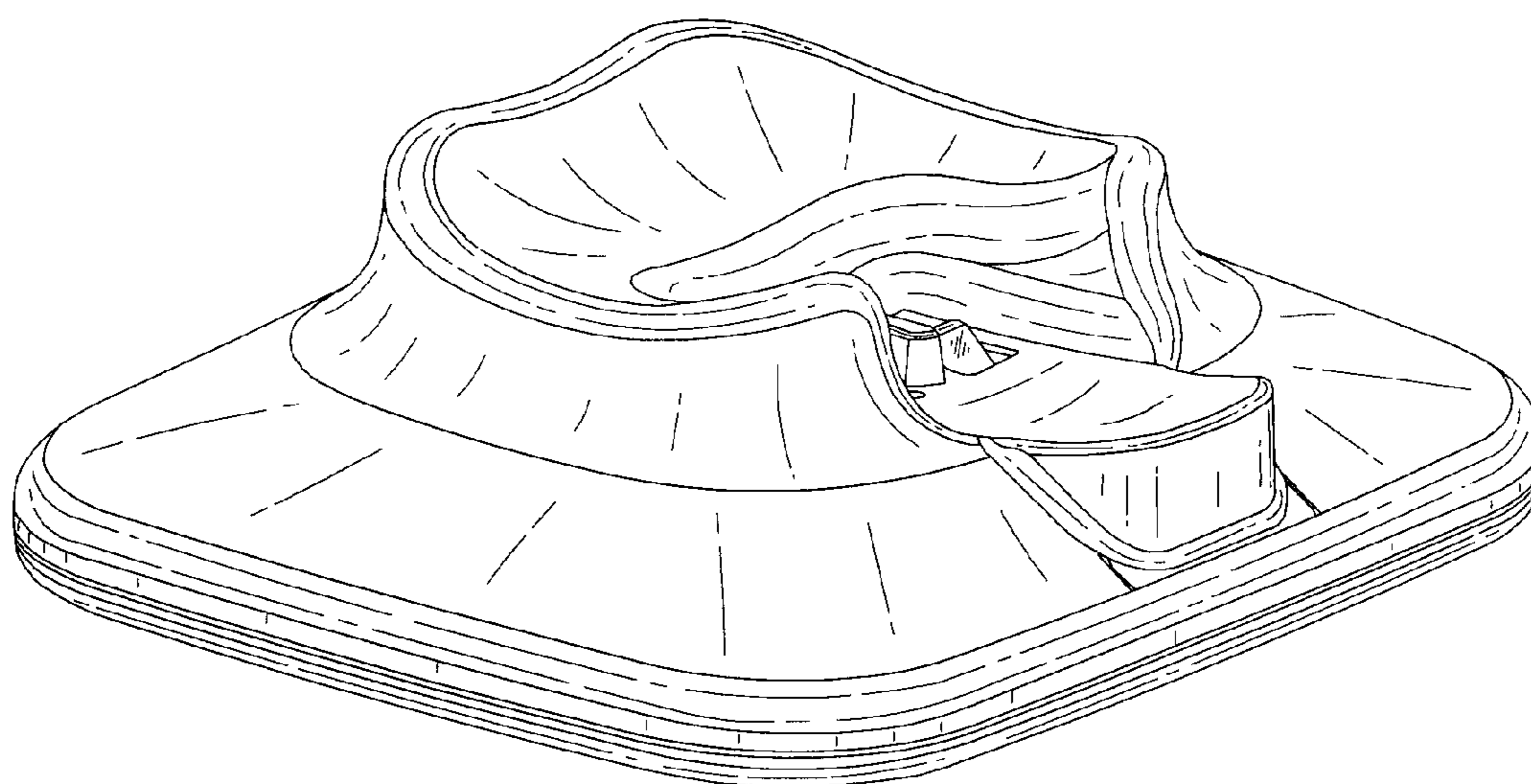


FIG.1

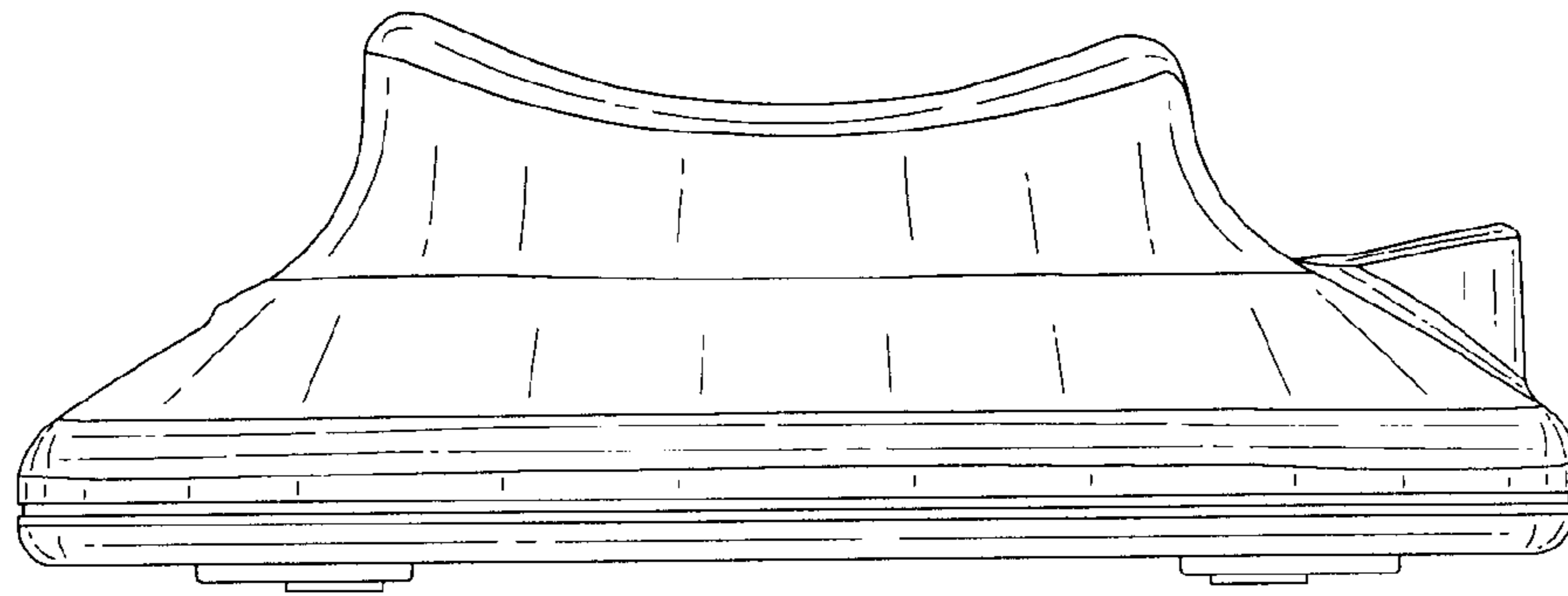


FIG. 2

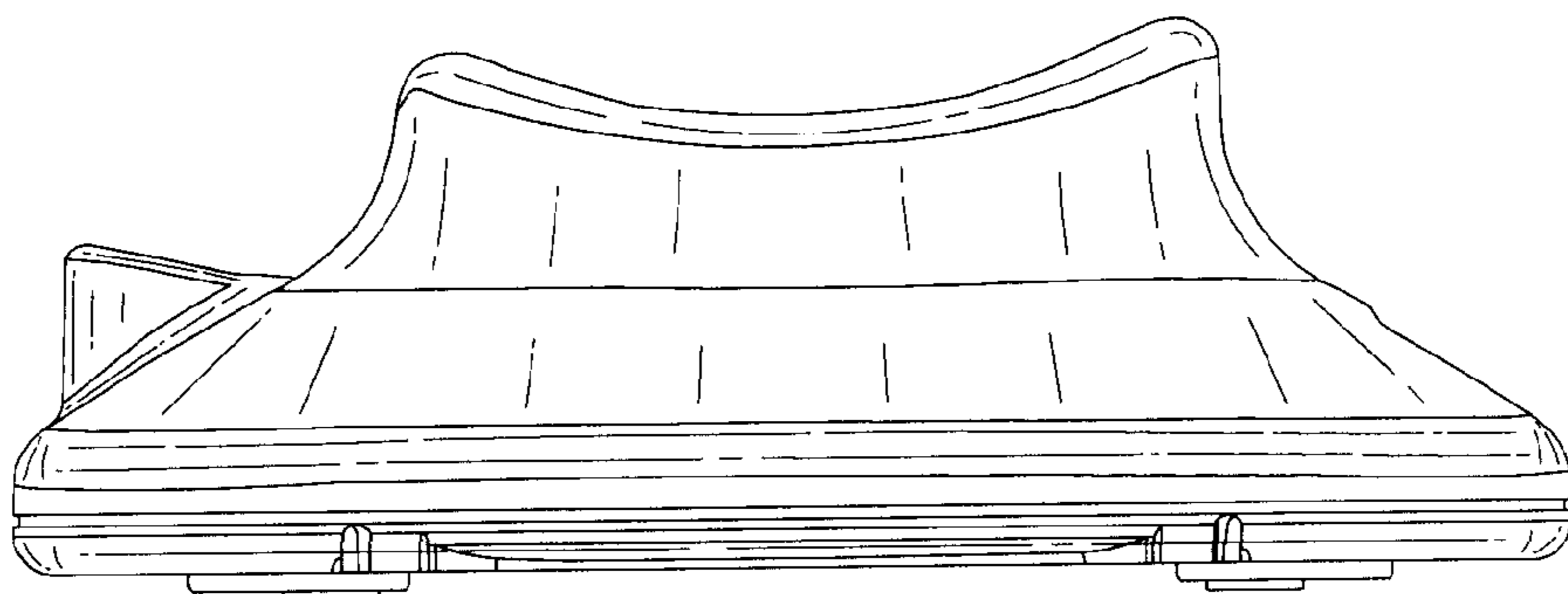


FIG. 3

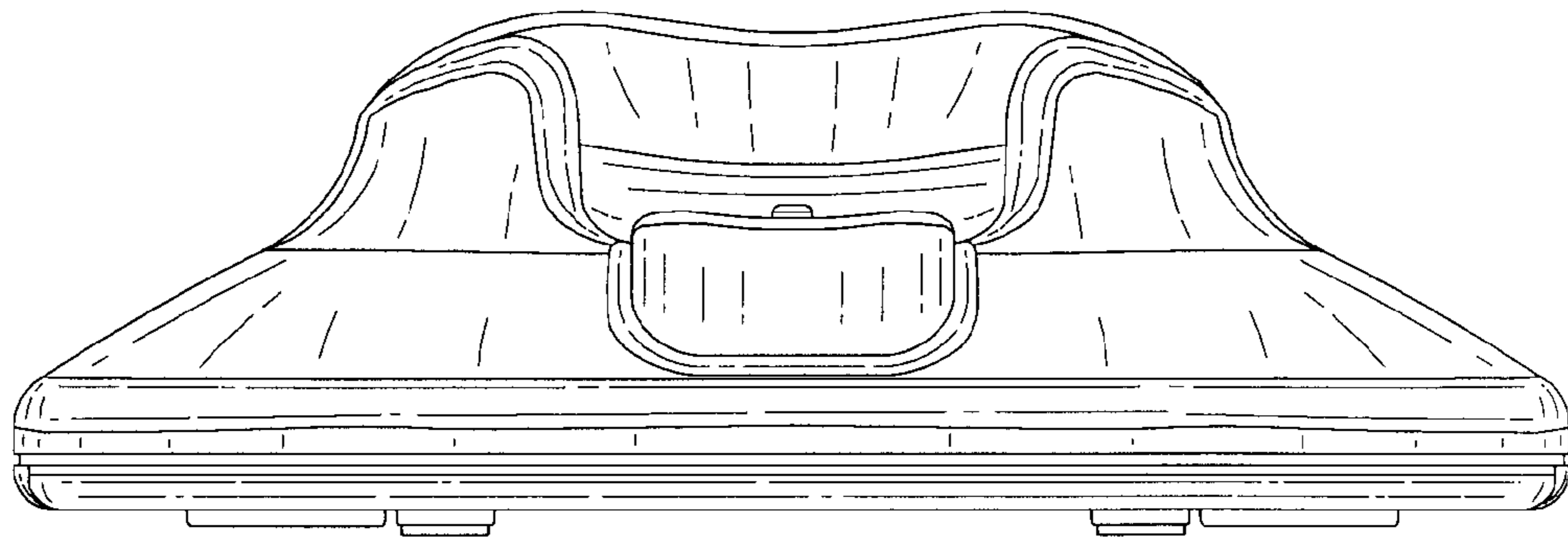


FIG. 4

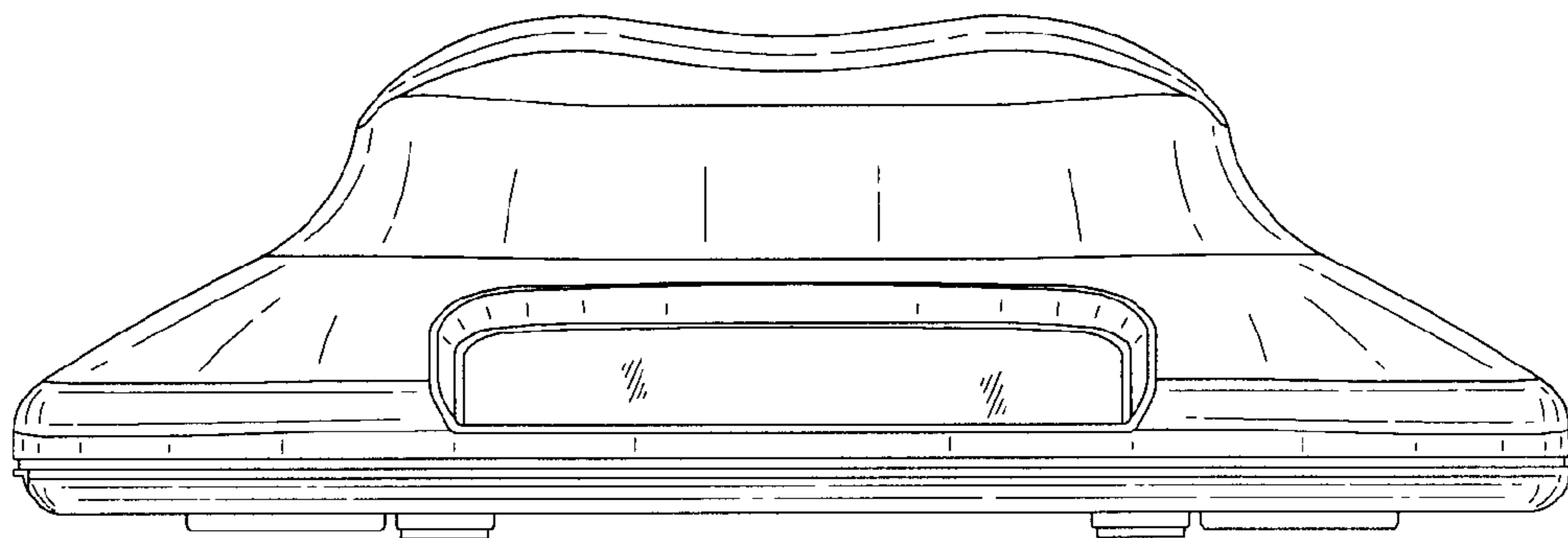


FIG. 5

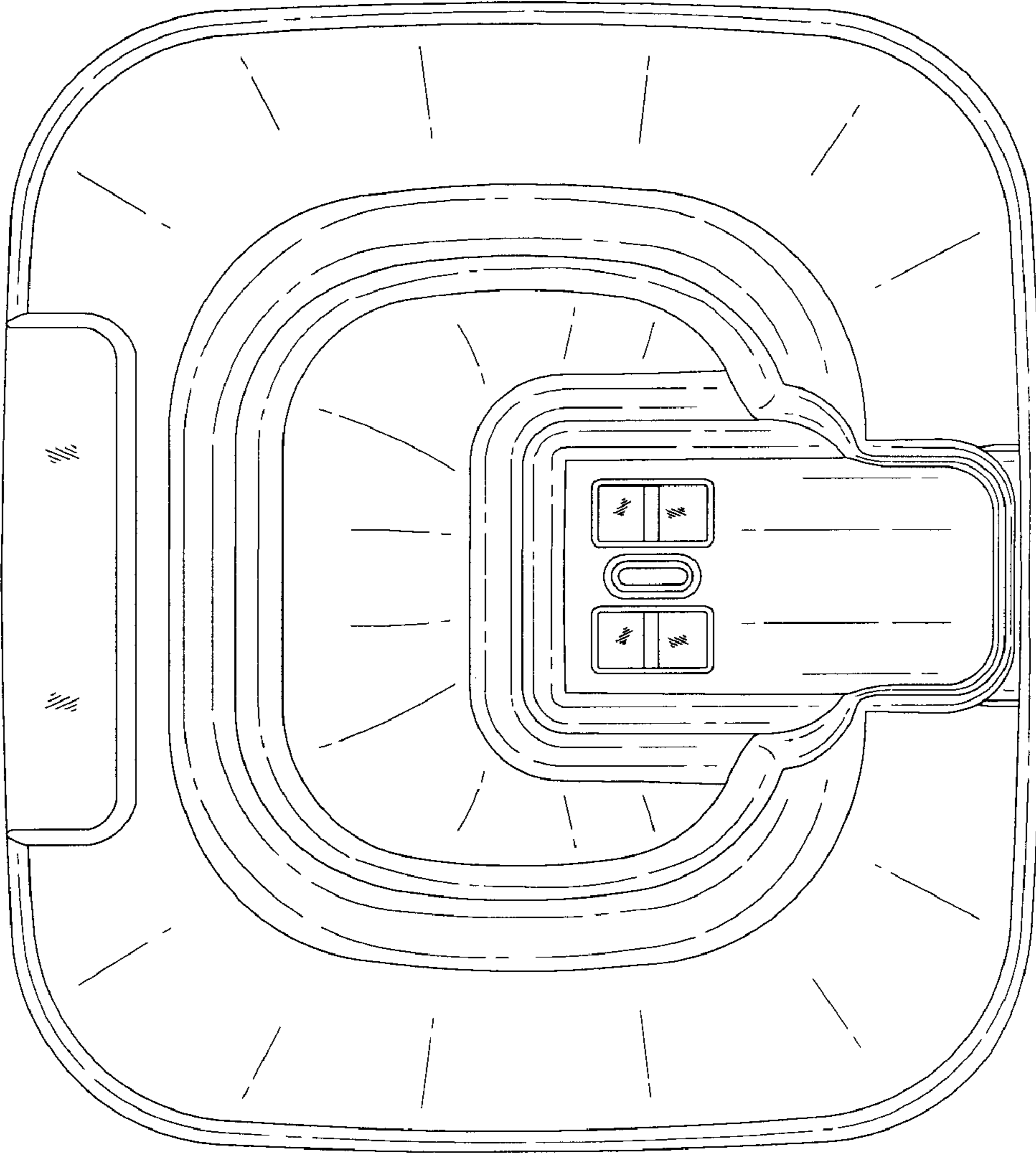


FIG.6

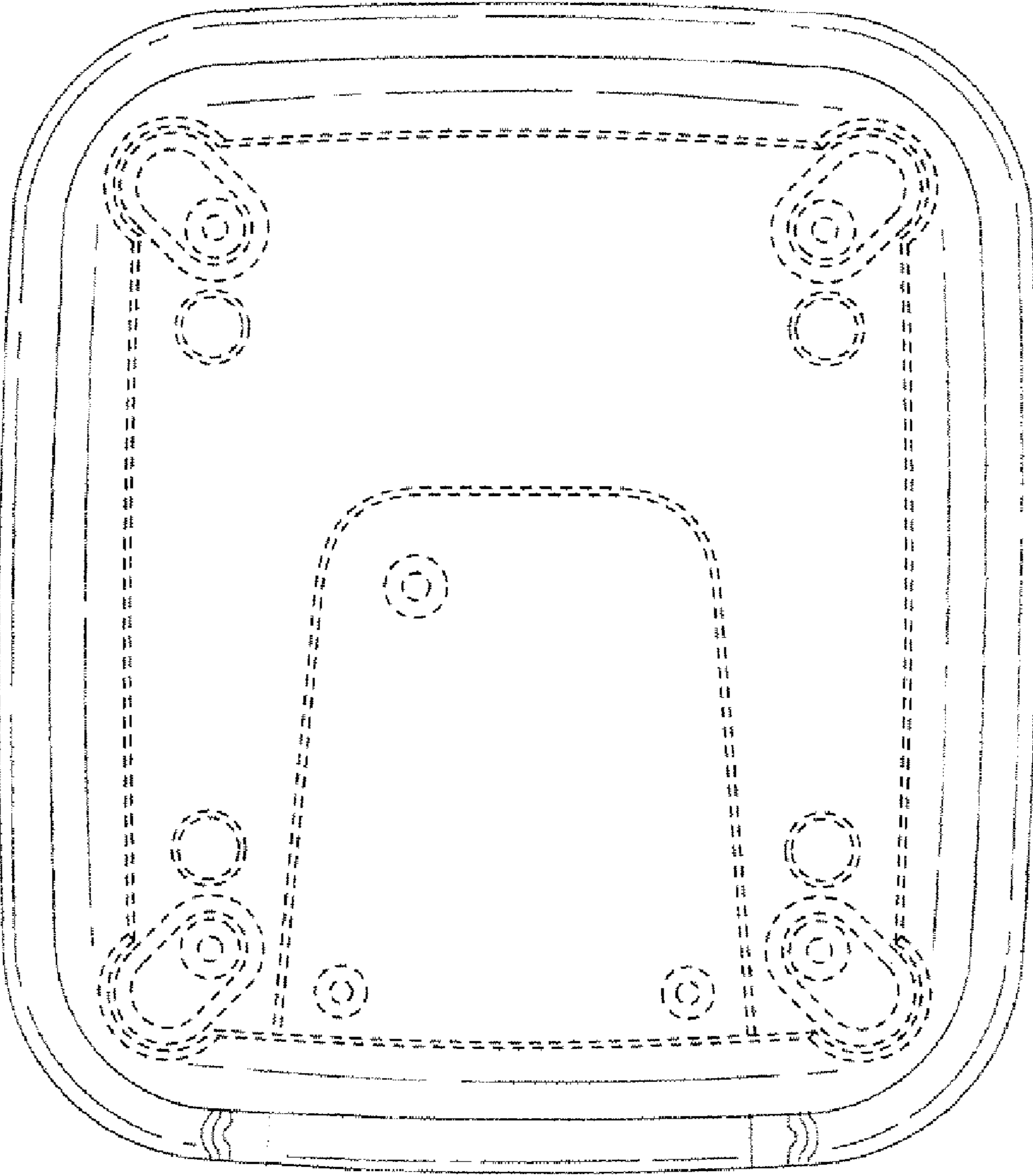


FIG.7