



US00D620881S

(12) **United States Design Patent**
Daniels et al.

(10) **Patent No.:** **US D620,881 S**

(45) **Date of Patent:** **** Aug. 3, 2010**

(54) **COMBINED JUMP STARTER AND AIR COMPRESSOR**

(74) *Attorney, Agent, or Firm*—McAndrews, Held & Malloy, Ltd.

(75) Inventors: **David Daniels**, Palatine, IL (US); **Alan William Olsberg**, Schaumburg, IL (US)

(57) **CLAIM**

(73) Assignee: **Old World Industries, Inc.**, Northbrook, IL (US)

The ornamental design for combined jump starter and air compressor, as shown and described.

(**) Term: **14 Years**

DESCRIPTION

(21) Appl. No.: **29/341,300**

FIG. 1 is a front perspective view of a first embodiment of combined jump starter and air compressor showing our new design;

(22) Filed: **Aug. 3, 2009**

FIG. 2 is a front elevation view thereof;

(51) **LOC (9) Cl.** **13-02**

FIG. 3 is a rear elevation view thereof;

(52) **U.S. Cl.** **D13/107**

FIG. 4 is a right side elevation view thereof;

(58) **Field of Classification Search** D13/102–103, D13/107–110, 118–119, 133, 144, 184; 320/103–105, 320/107–115

FIG. 5 is a left side elevation view thereof;

See application file for complete search history.

FIG. 6 is a top plan view thereof;

FIG. 7 is a bottom plan view thereof;

(56) **References Cited**

FIG. 8 is a rear perspective view thereof;

U.S. PATENT DOCUMENTS

FIG. 9 is a front perspective view of a second embodiment of a combined jump starter and air compressor showing our new design;

D484,852 S * 1/2004 James et al. D13/107

FIG. 10 is a front elevation view thereof;

D493,137 S * 7/2004 Casarella D13/107

FIG. 11 is a rear elevation view thereof;

D503,377 S * 3/2005 Krieger et al. D13/107

FIG. 12 is a right side elevation view thereof;

D503,378 S * 3/2005 Hussaini et al. D13/107

FIG. 13 is a left side elevation view thereof;

D504,396 S * 4/2005 Hussaini et al. D13/107

FIG. 14 is a top plan view thereof;

D504,870 S * 5/2005 Krieger et al. D13/107

FIG. 15 is a bottom plan view thereof; and,

D508,675 S * 8/2005 Krieger et al. D13/107

FIG. 16 is a rear perspective view thereof.

D513,604 S * 1/2006 Krieger et al. D13/107

The broken lines in the drawings represent environmental subject matter and form no part of the claimed design.

D523,395 S * 6/2006 Krieger et al. D13/107

D530,666 S * 10/2006 Krieger et al. D13/107

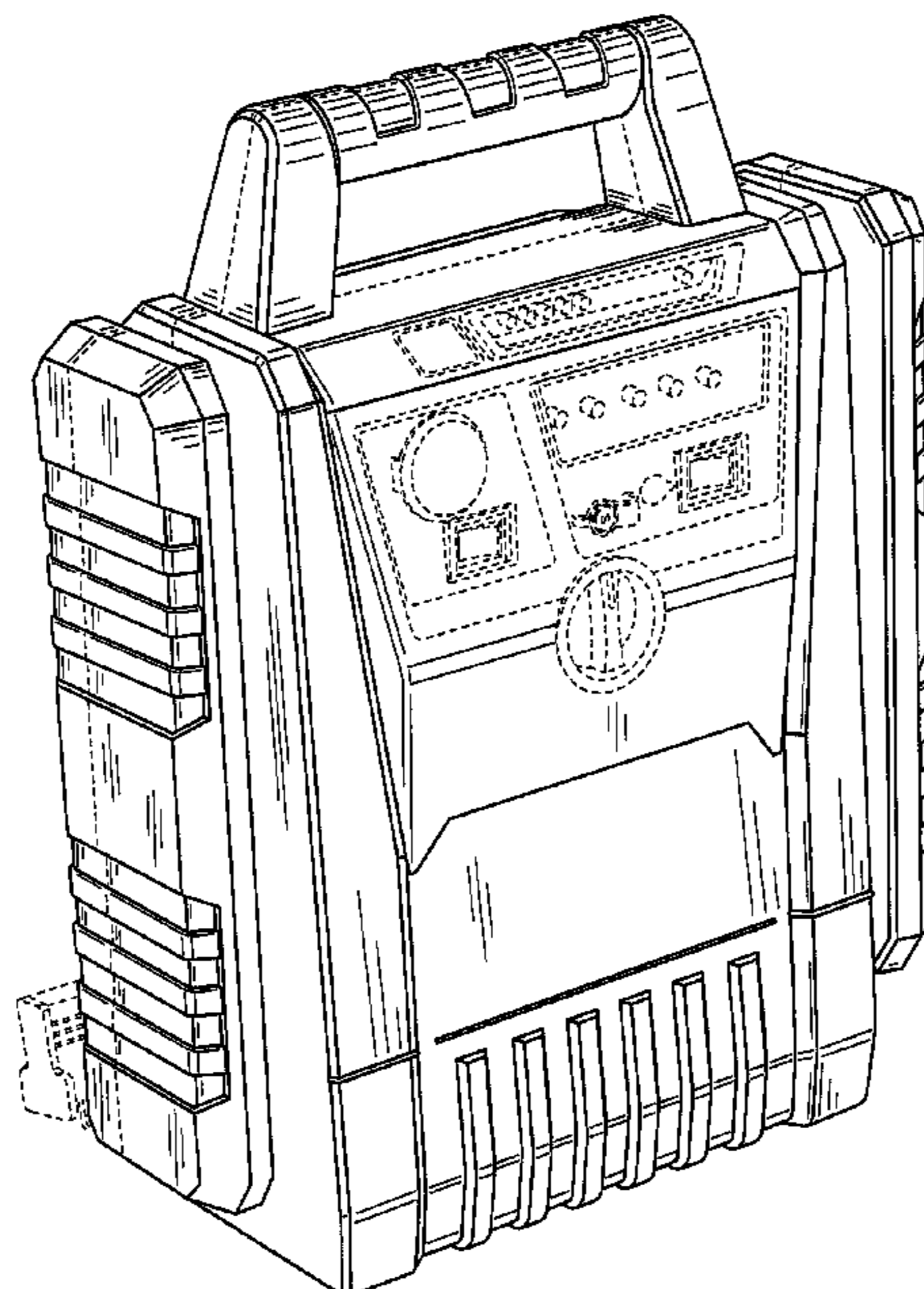
D545,269 S * 6/2007 Dayan D13/107

D549,644 S * 8/2007 Hulden D13/107

* cited by examiner

Primary Examiner—Rosemary K Tarcza

1 Claim, 13 Drawing Sheets



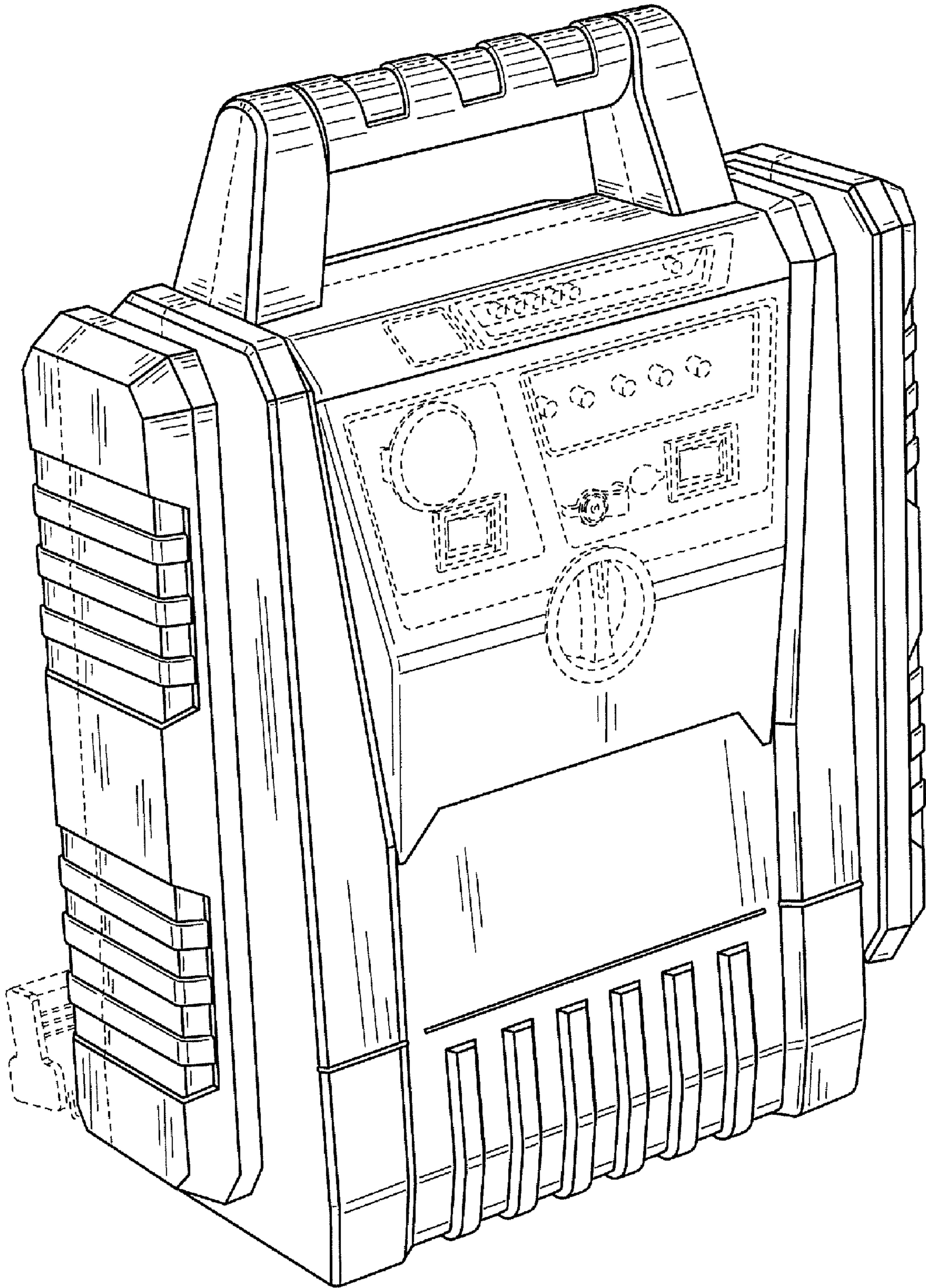


FIG. 1

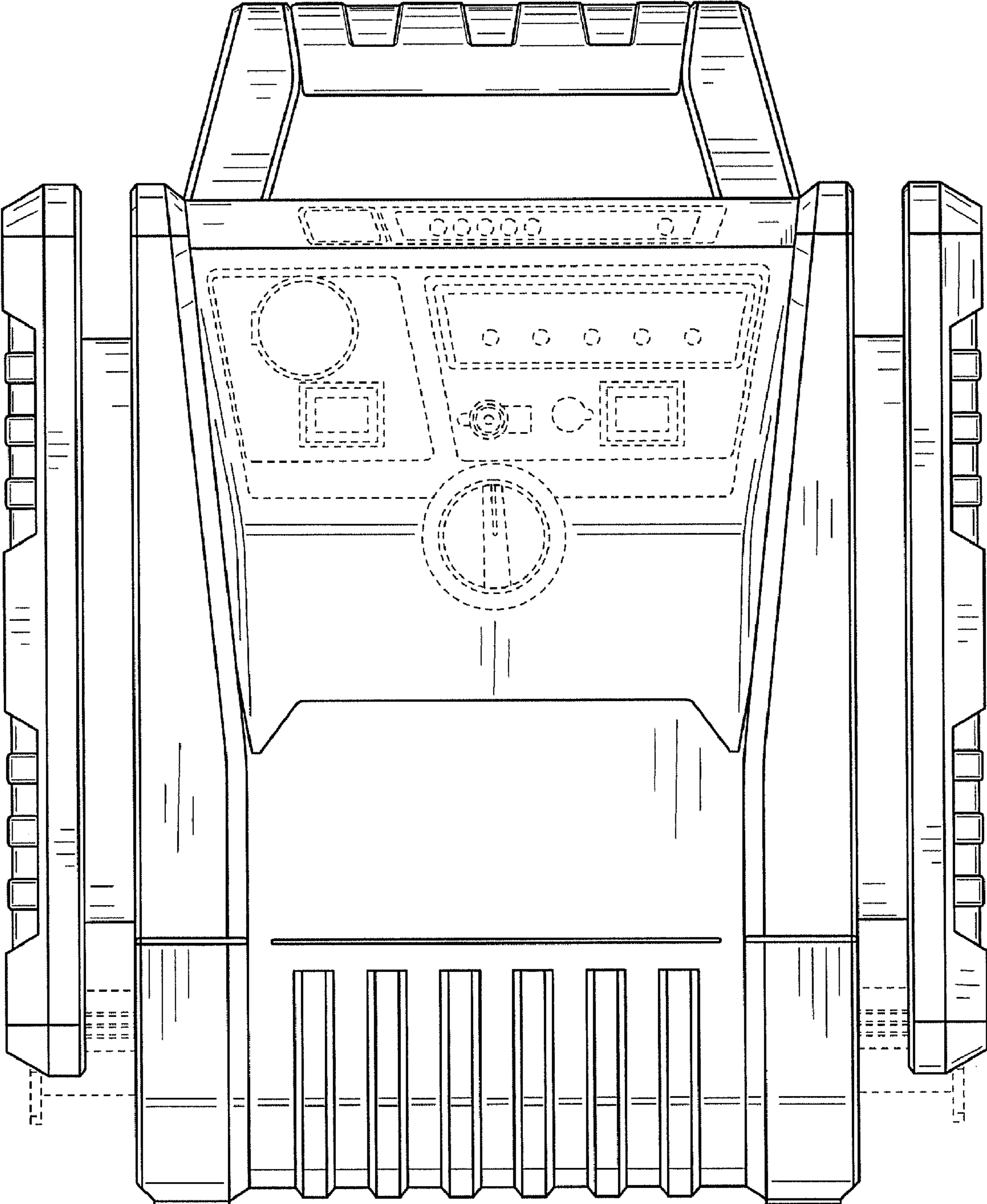


FIG. 2

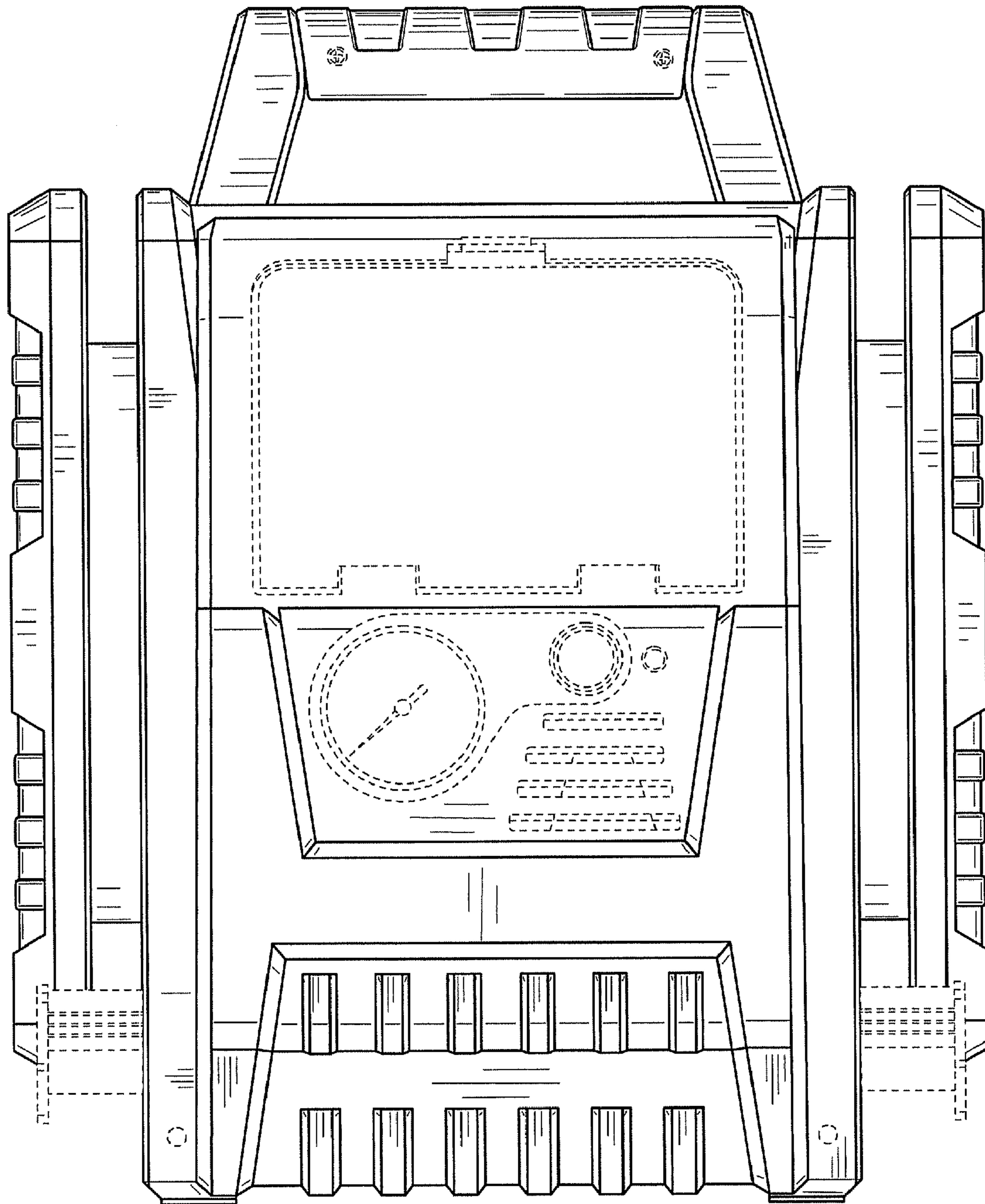


FIG. 3

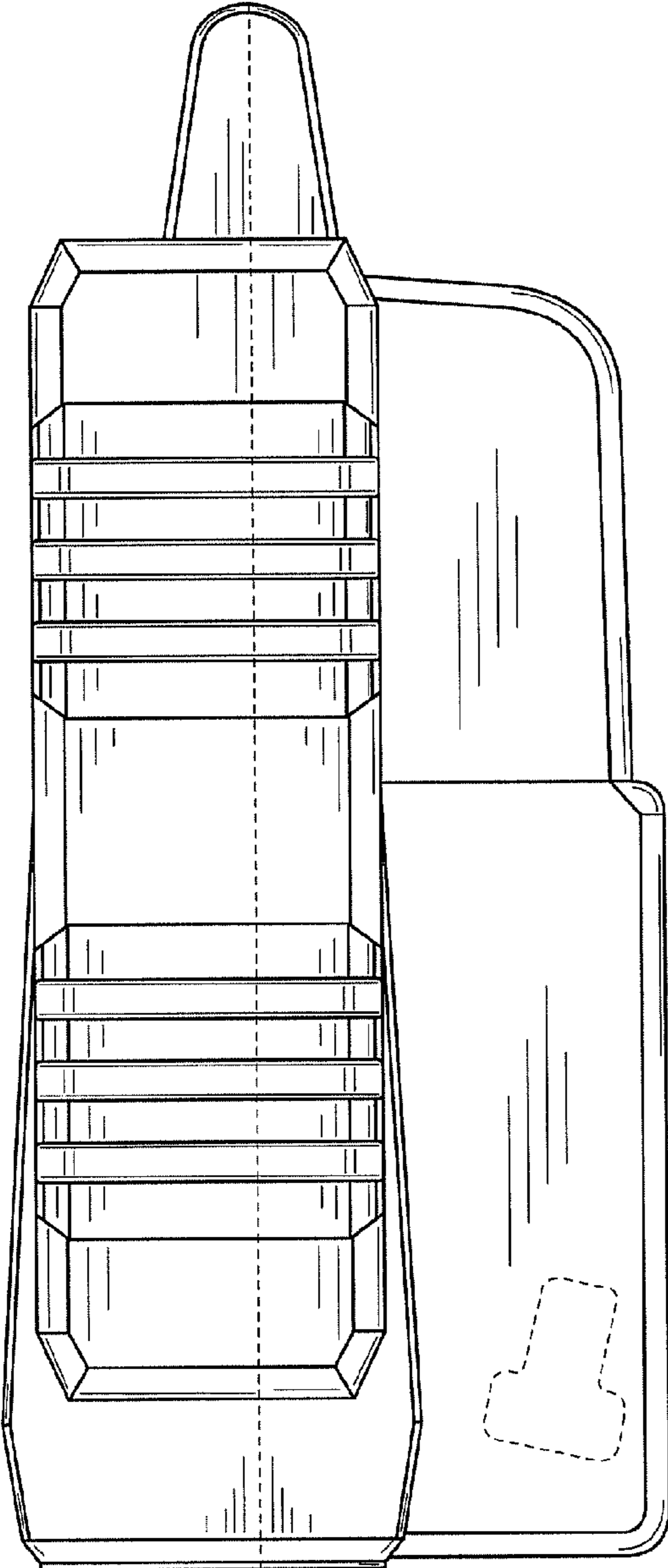


FIG. 4

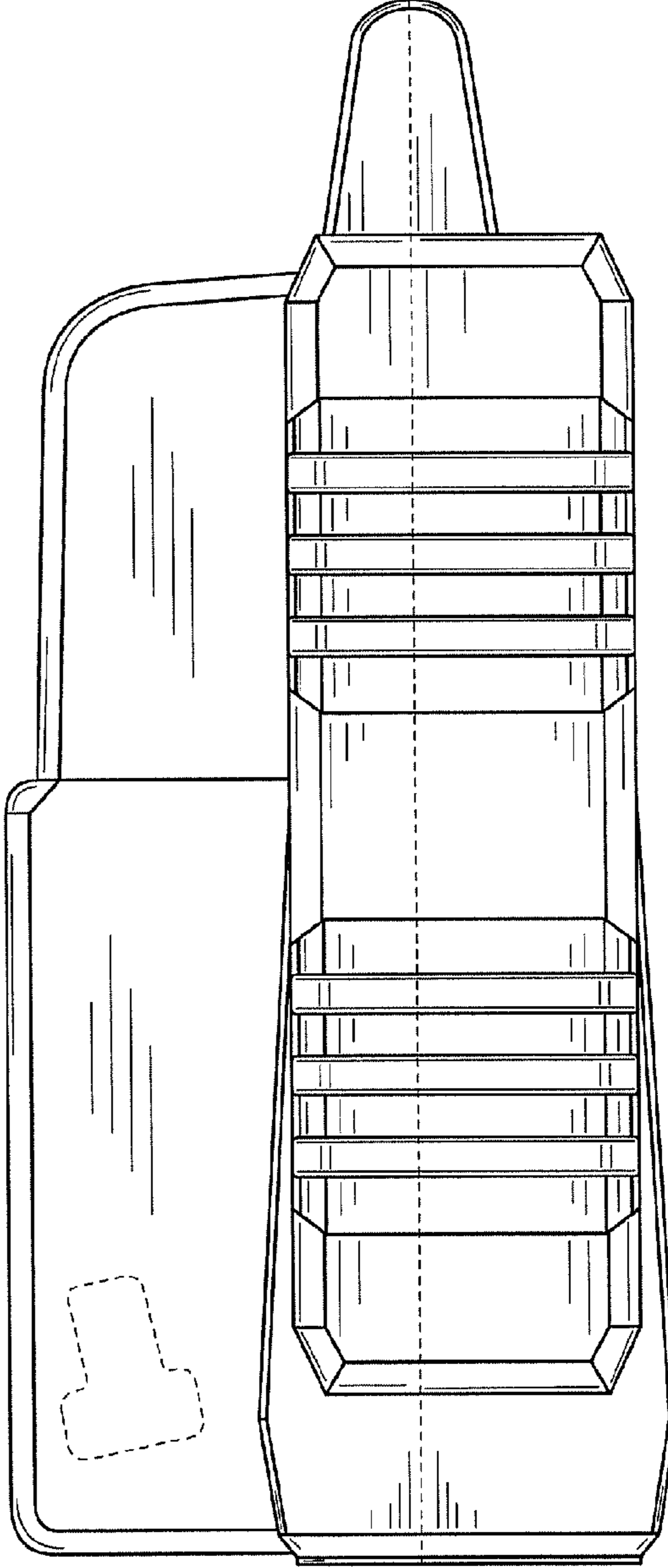


FIG. 5

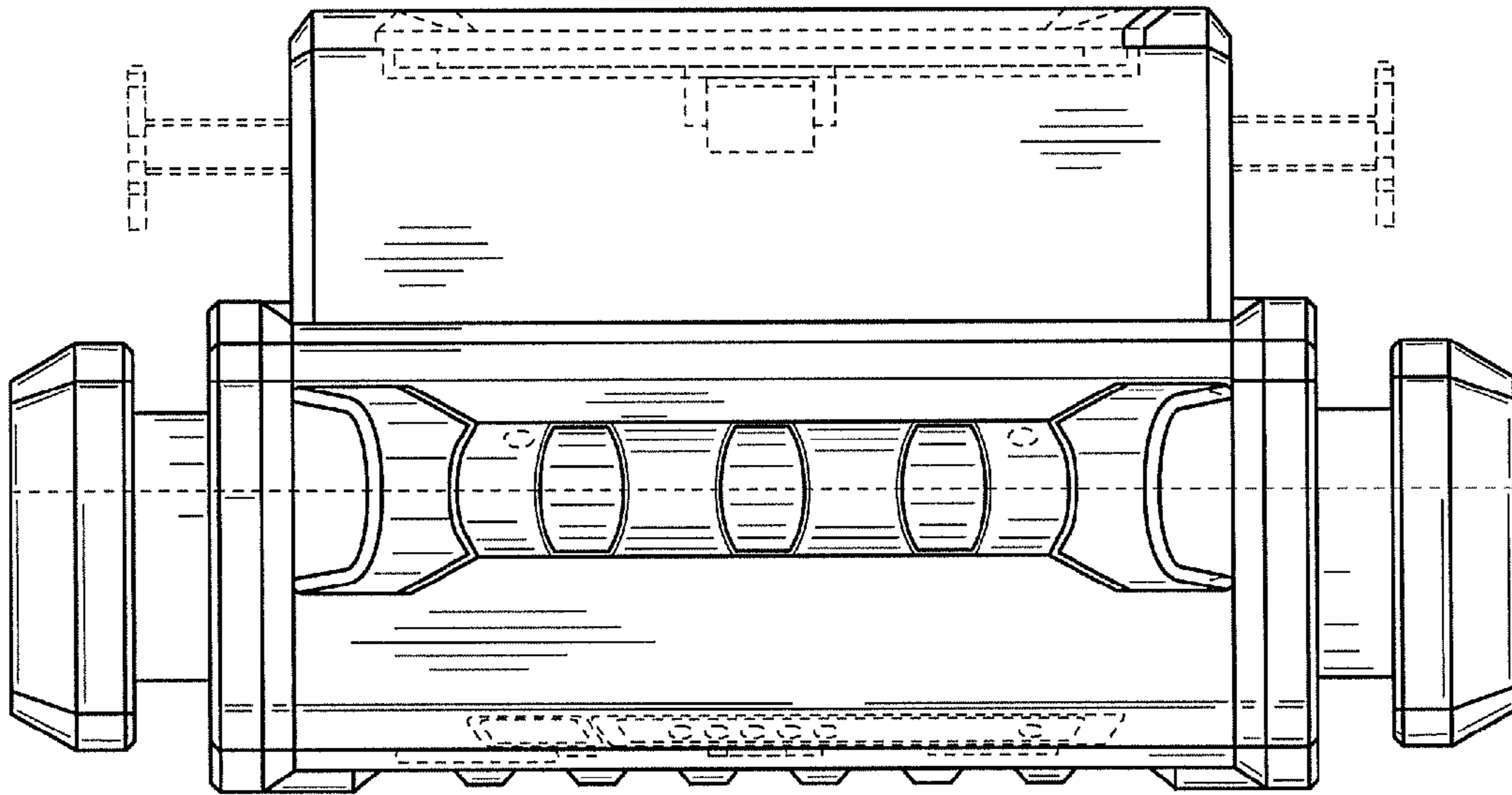


FIG. 6

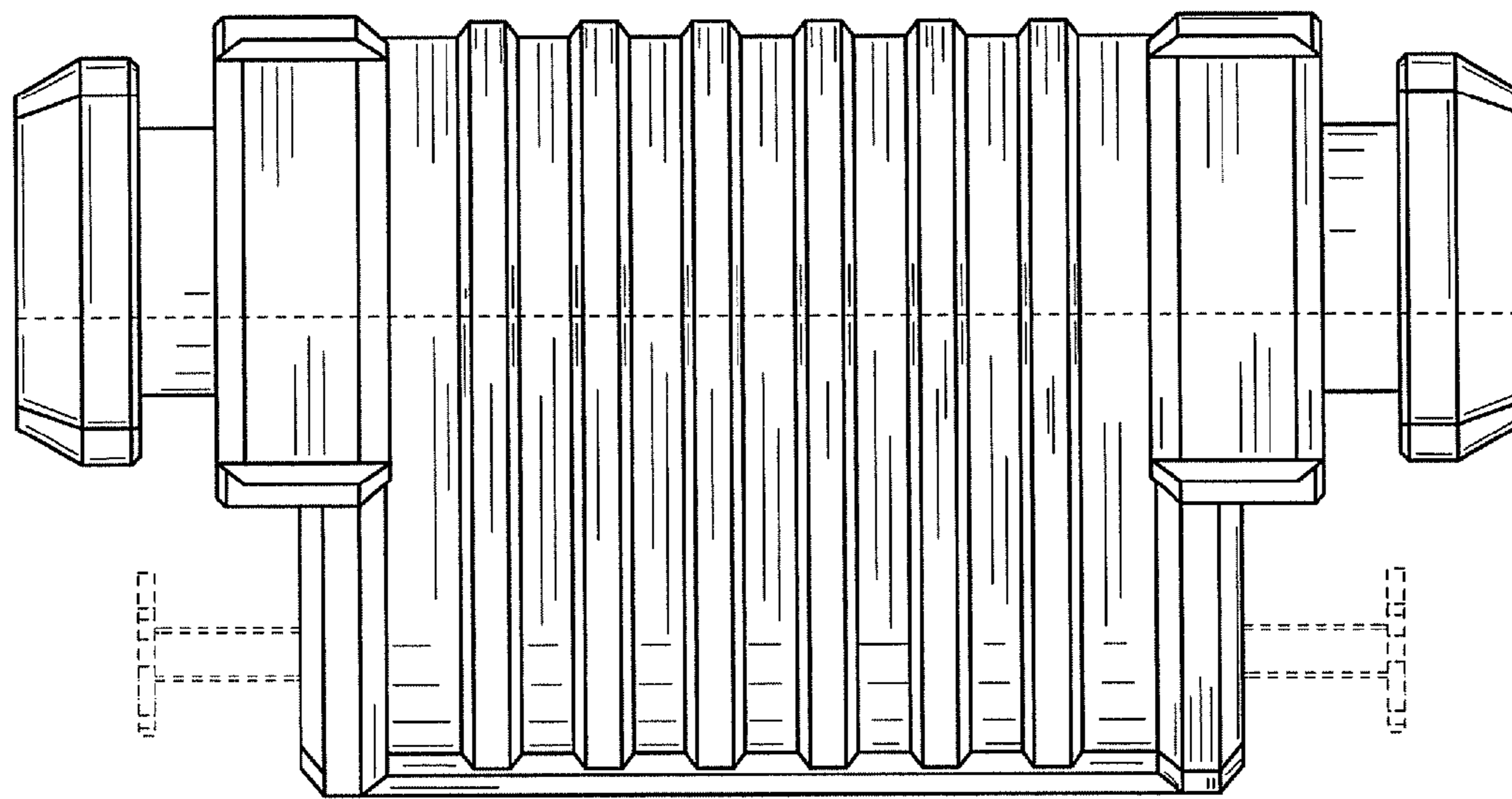


FIG. 7

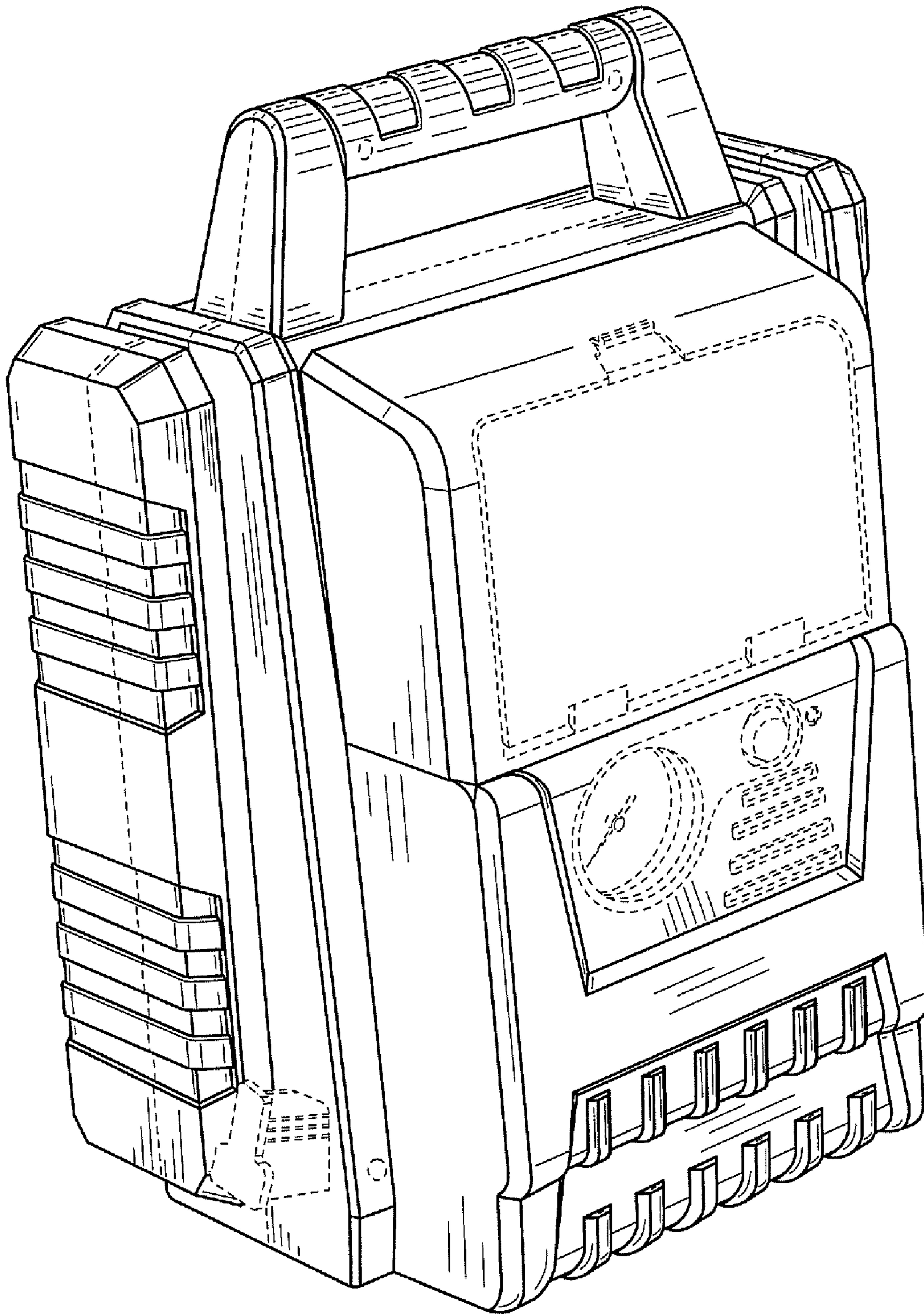


FIG. 8

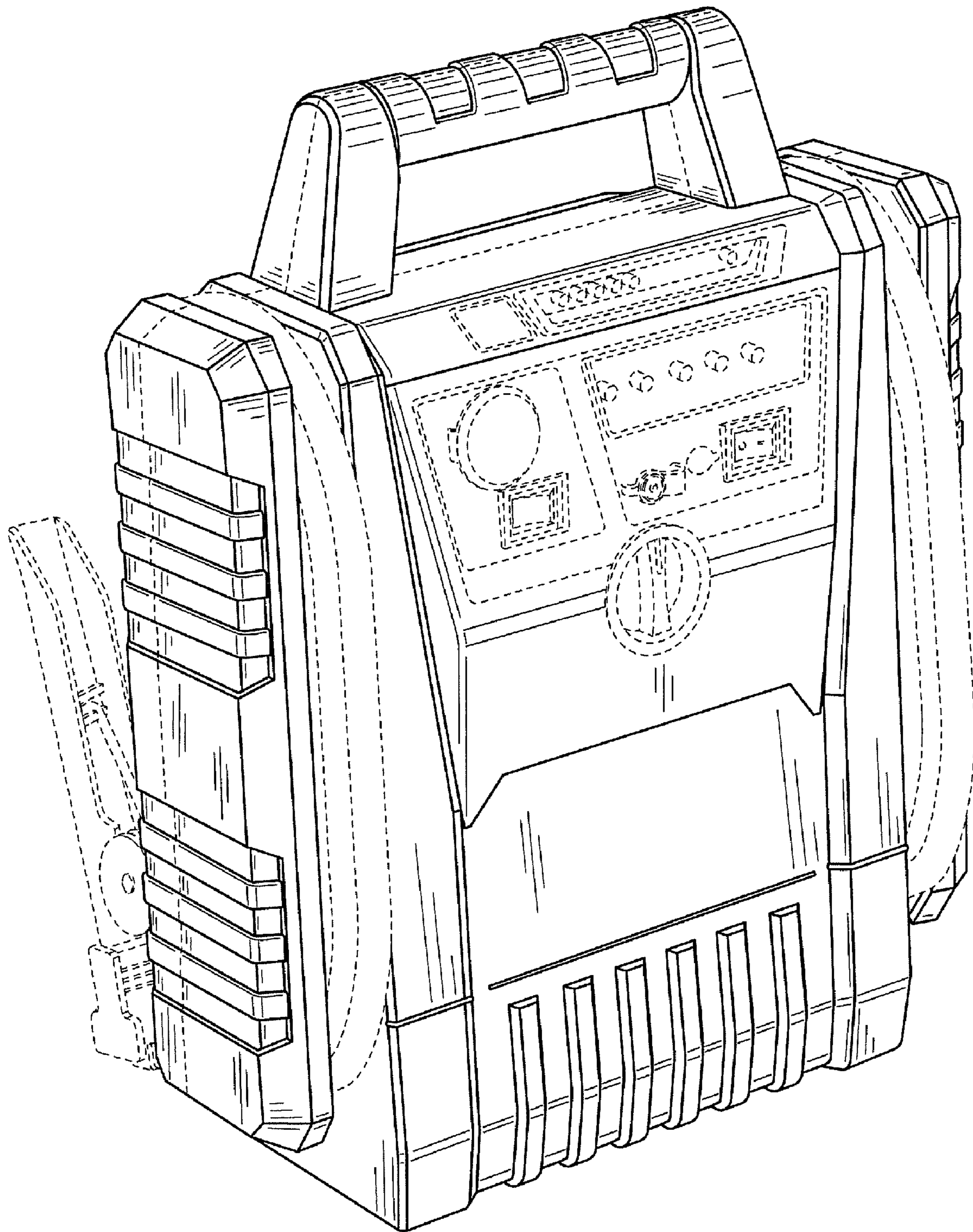


FIG. 9

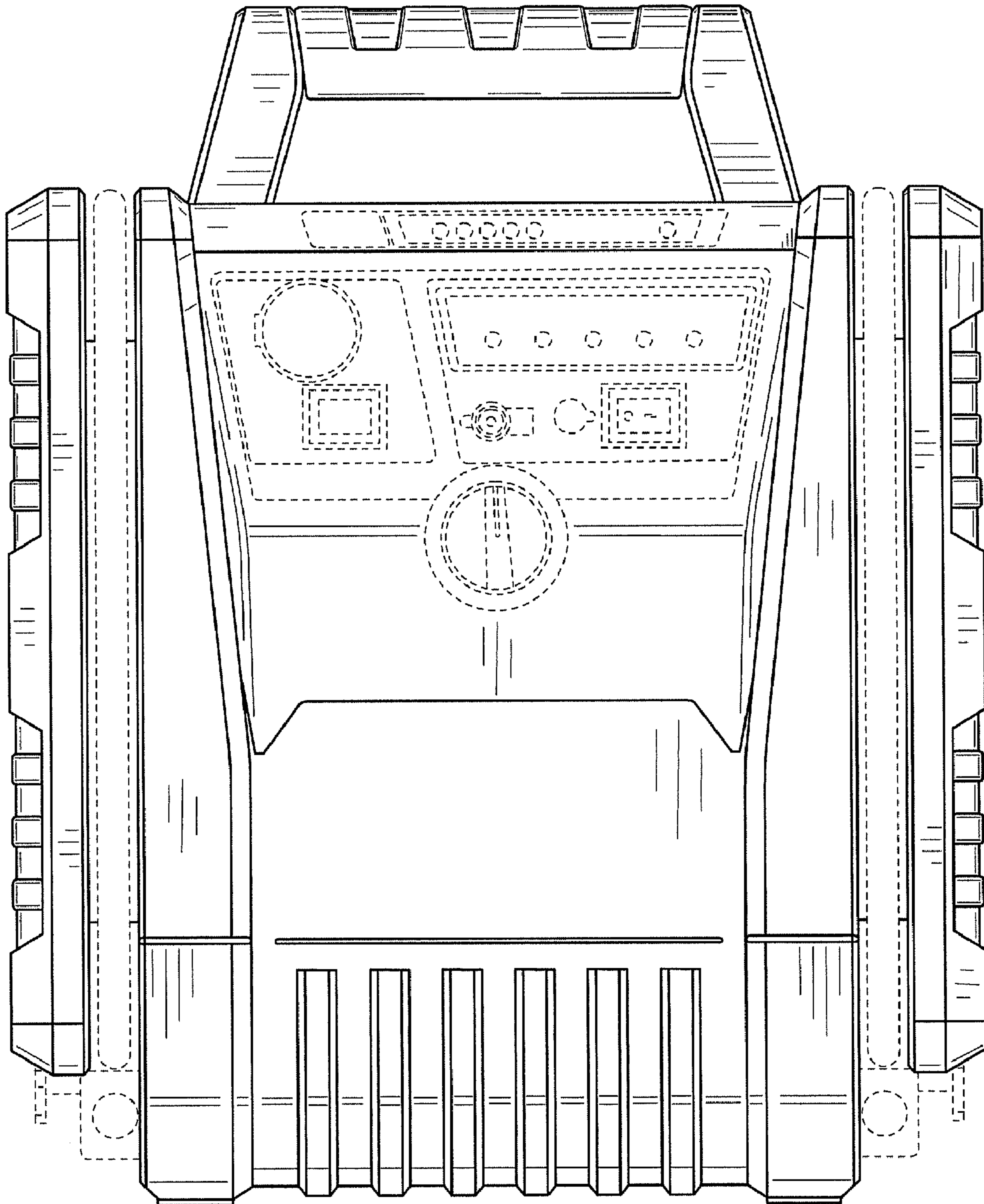


FIG. 10

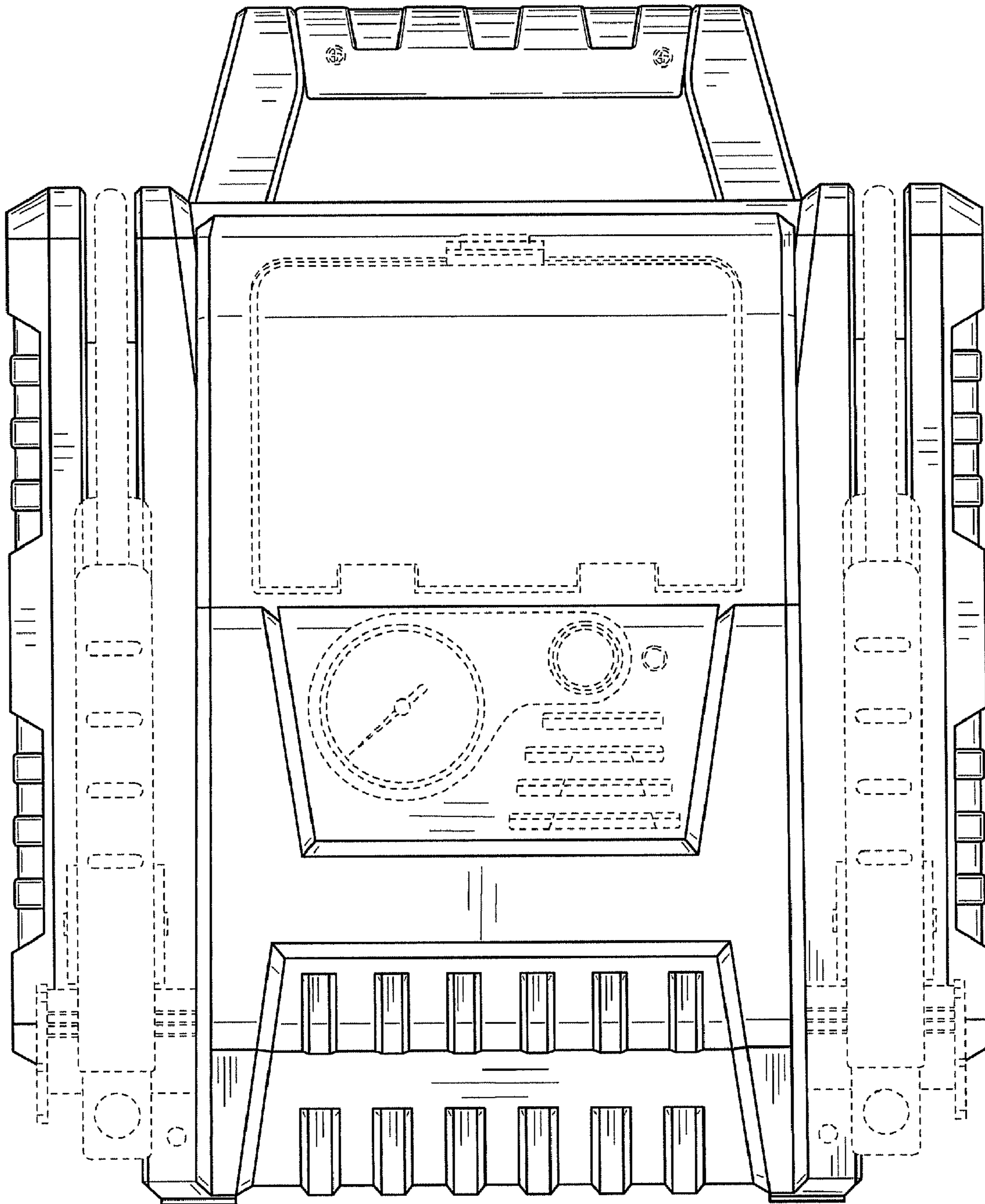


FIG. 11

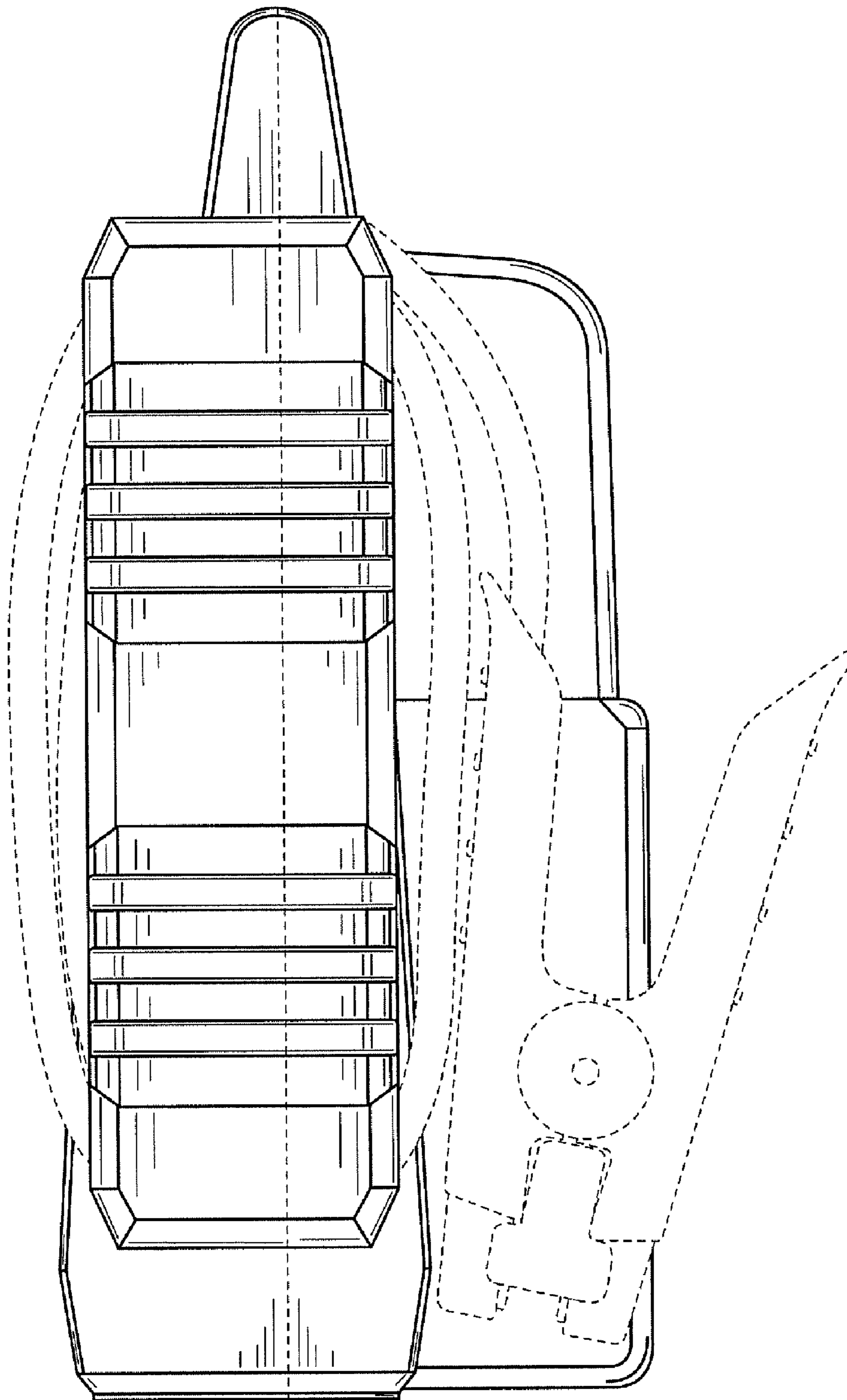


FIG. 12

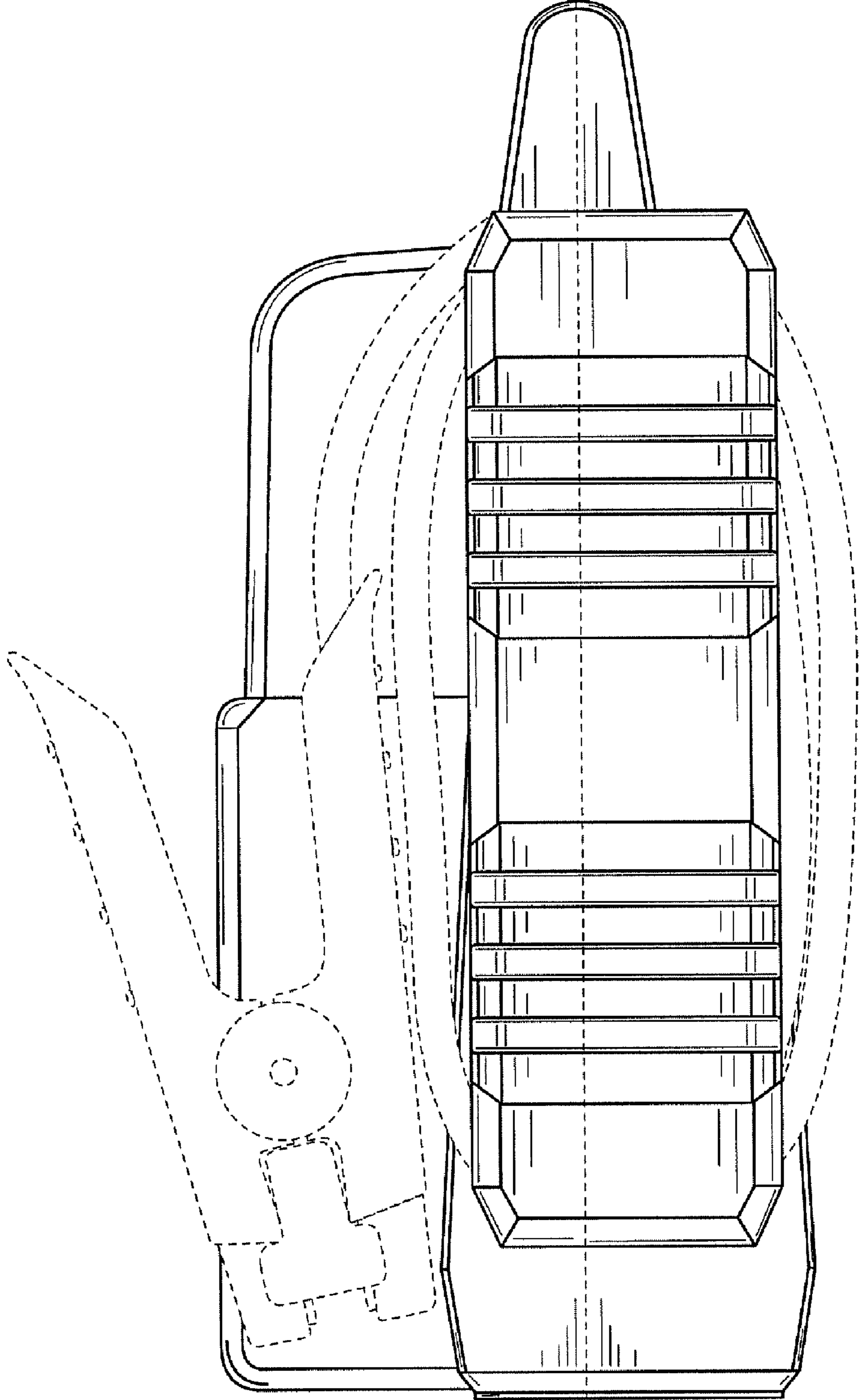


FIG. 13

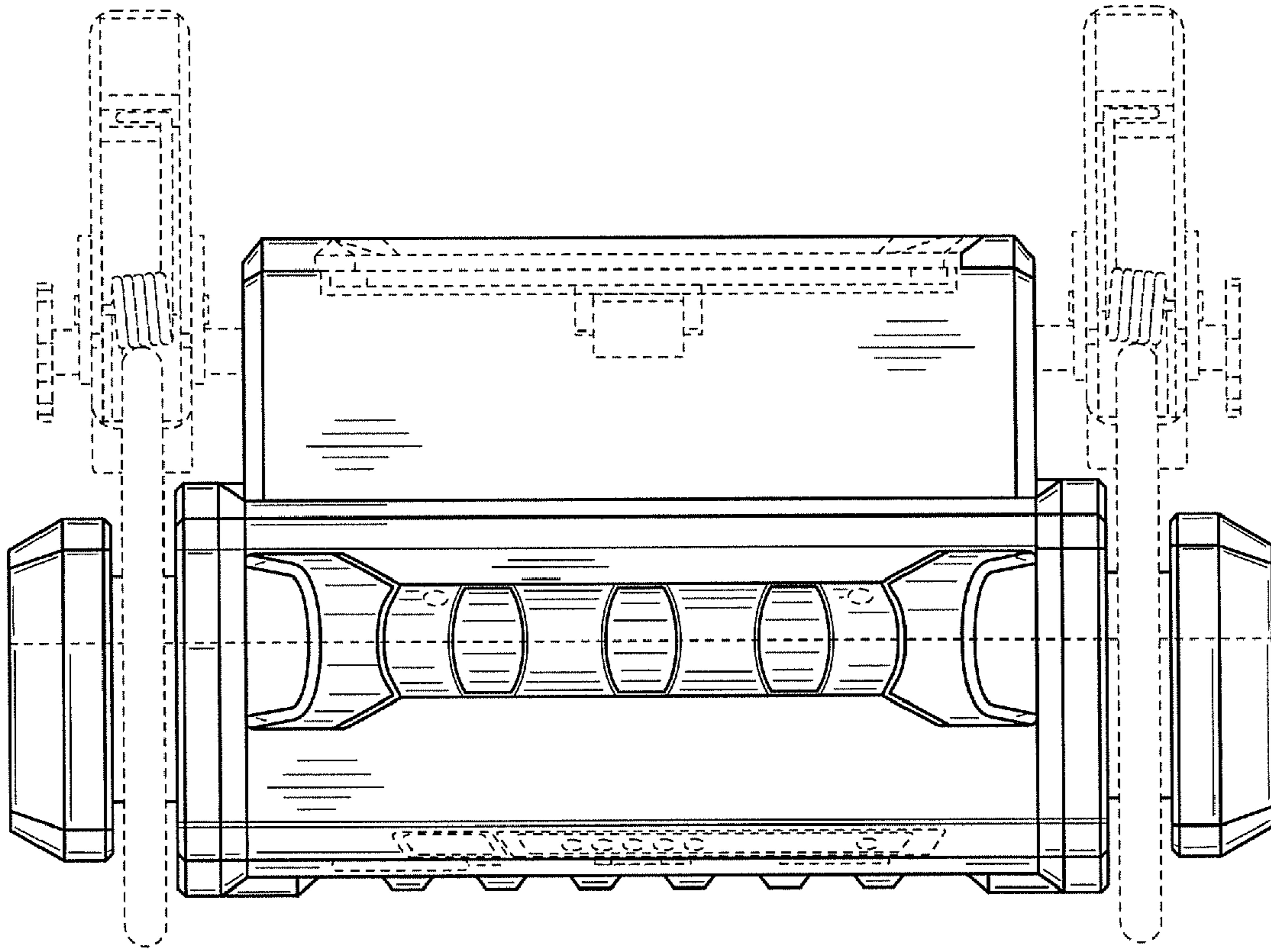


FIG. 14

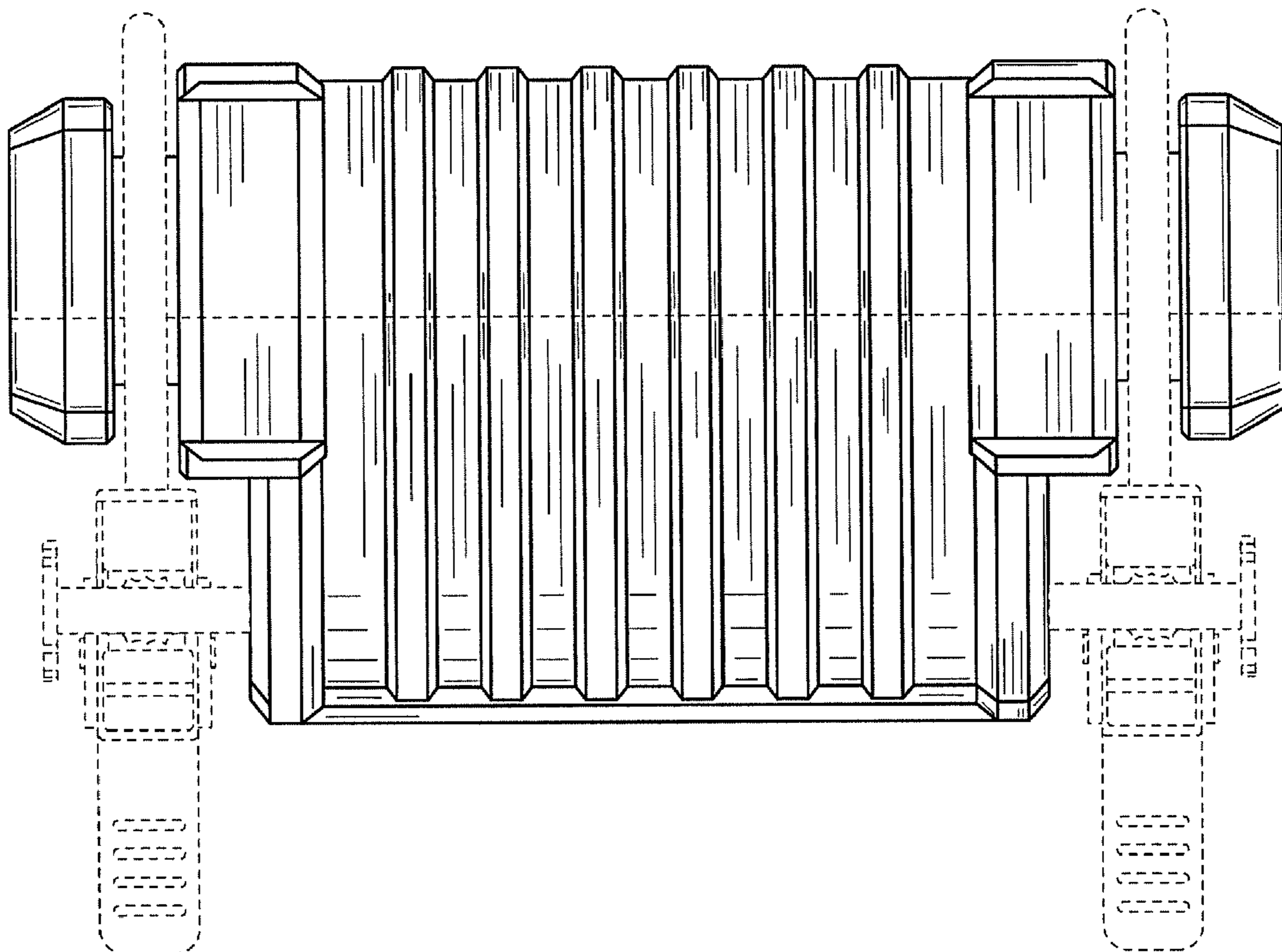


FIG. 15

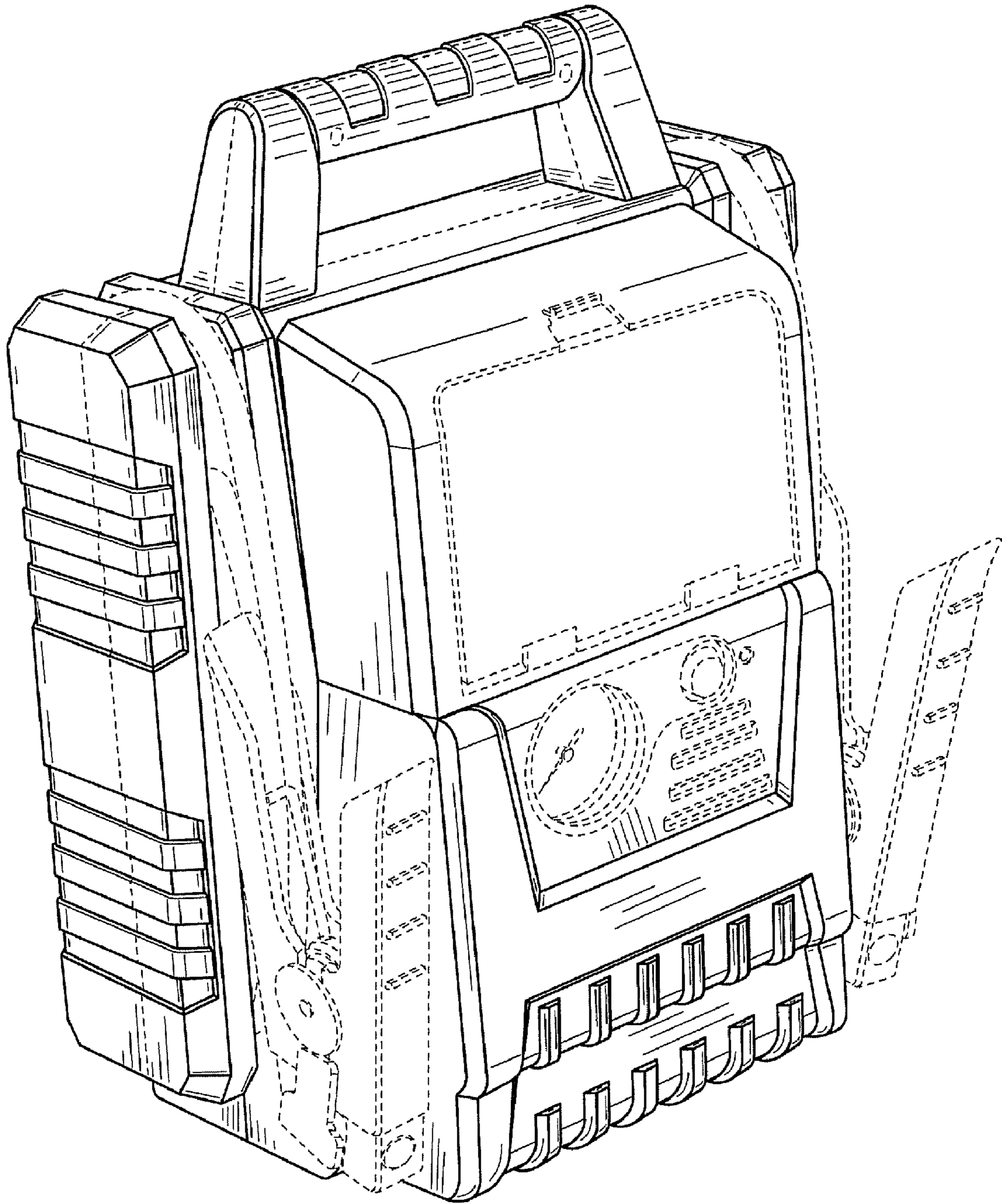


FIG. 16