



US00D620880S

(12) **United States Design Patent**  
**Xuan**

(10) **Patent No.:** **US D620,880 S**

(45) **Date of Patent:** **\*\* Aug. 3, 2010**

(54) **WALL-MOUNTED SOLAR ENERGY COLLECTING PANEL WITH TWO-AXIAL TRACKER**

6,960,717 B2 \* 11/2005 Stuart et al. .... 136/246  
D517,981 S \* 3/2006 Daly ..... D13/102  
D547,262 S \* 7/2007 Ullman ..... D13/102

(76) Inventor: **Jialuo Jack Xuan**, P.O. Box 360409, Milpitas, CA (US) 95036-0409

\* cited by examiner

*Primary Examiner*—Prabhakar Deshmukh  
*Assistant Examiner*—Derrick Holland

(\*\*) Term: **14 Years**

(21) Appl. No.: **29/310,457**

(57) **CLAIM**

(22) Filed: **Aug. 19, 2008**

The ornamental design for a wall-mounted solar energy collecting panel with two-axial tracker, as shown and described.

(51) **LOC (9) Cl.** ..... **13-02**

(52) **U.S. Cl.** ..... **D13/102**

(58) **Field of Classification Search** ..... D13/102, D13/101, 107, 184, 199; D25/55, 57; 52/74, 52/77, 78; 126/569, 571, 577, 600, 603, 126/605, 606, 608; 136/243–246, 251; 320/101  
See application file for complete search history.

**DESCRIPTION**

FIG. 1 is a front elevational view of a wall-mounted solar energy collecting panel with two-axial tracker showing my new design.

FIG. 2 is a left side elevational view of FIG. 1

FIG. 3 is a front elevational view shown in an alternate position of FIG. 1.

FIG. 4 is a left side elevational view of FIG. 3

FIG. 5 is a front elevational view shown in another alternate position of FIG. 1; and,

FIG. 6 is a left side elevational view of FIG. 5.

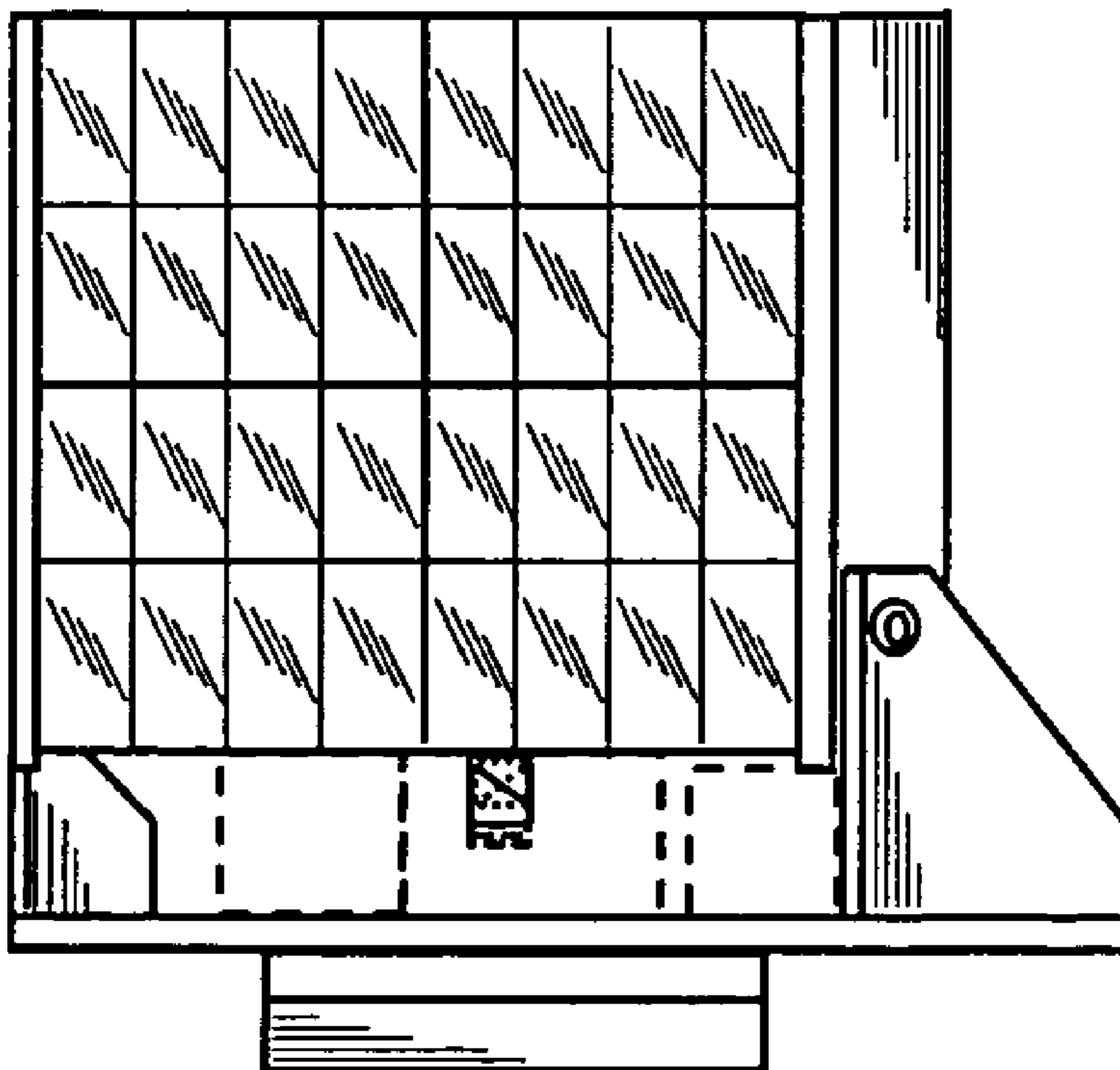
The broken lines shown are for illustrative purposes and form no part of the claimed design.

(56) **References Cited**

**U.S. PATENT DOCUMENTS**

4,172,739 A \* 10/1979 Tassen ..... 136/246  
4,832,002 A \* 5/1989 Medina ..... 126/577  
D311,722 S \* 10/1990 Cheng ..... D13/102  
D380,191 S \* 6/1997 White ..... D13/102  
D469,399 S \* 1/2003 Shugar ..... D13/102  
D475,320 S \* 6/2003 Hensley et al. .... D11/157  
6,617,506 B2 \* 9/2003 Sasaki ..... 136/246  
D505,113 S \* 5/2005 Lam ..... D13/107

**1 Claim, 1 Drawing Sheet**



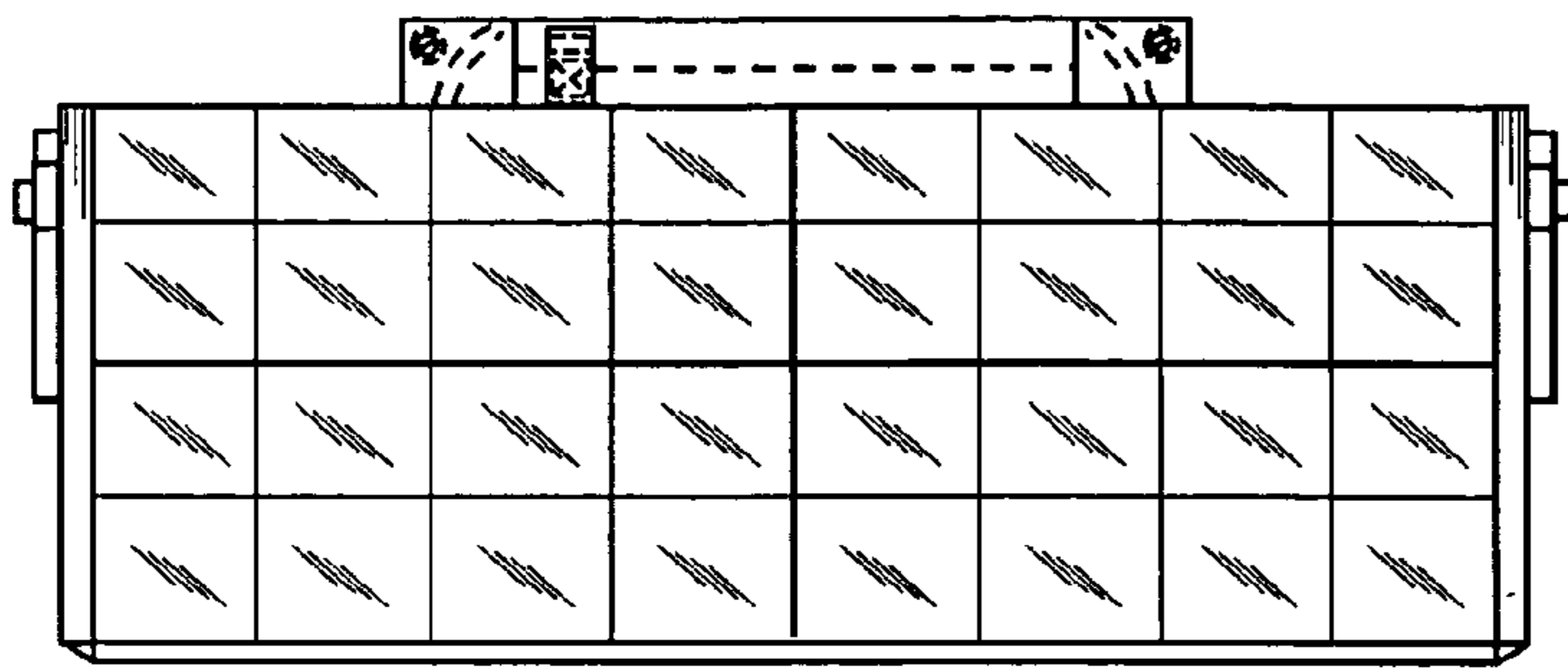


Fig. 1

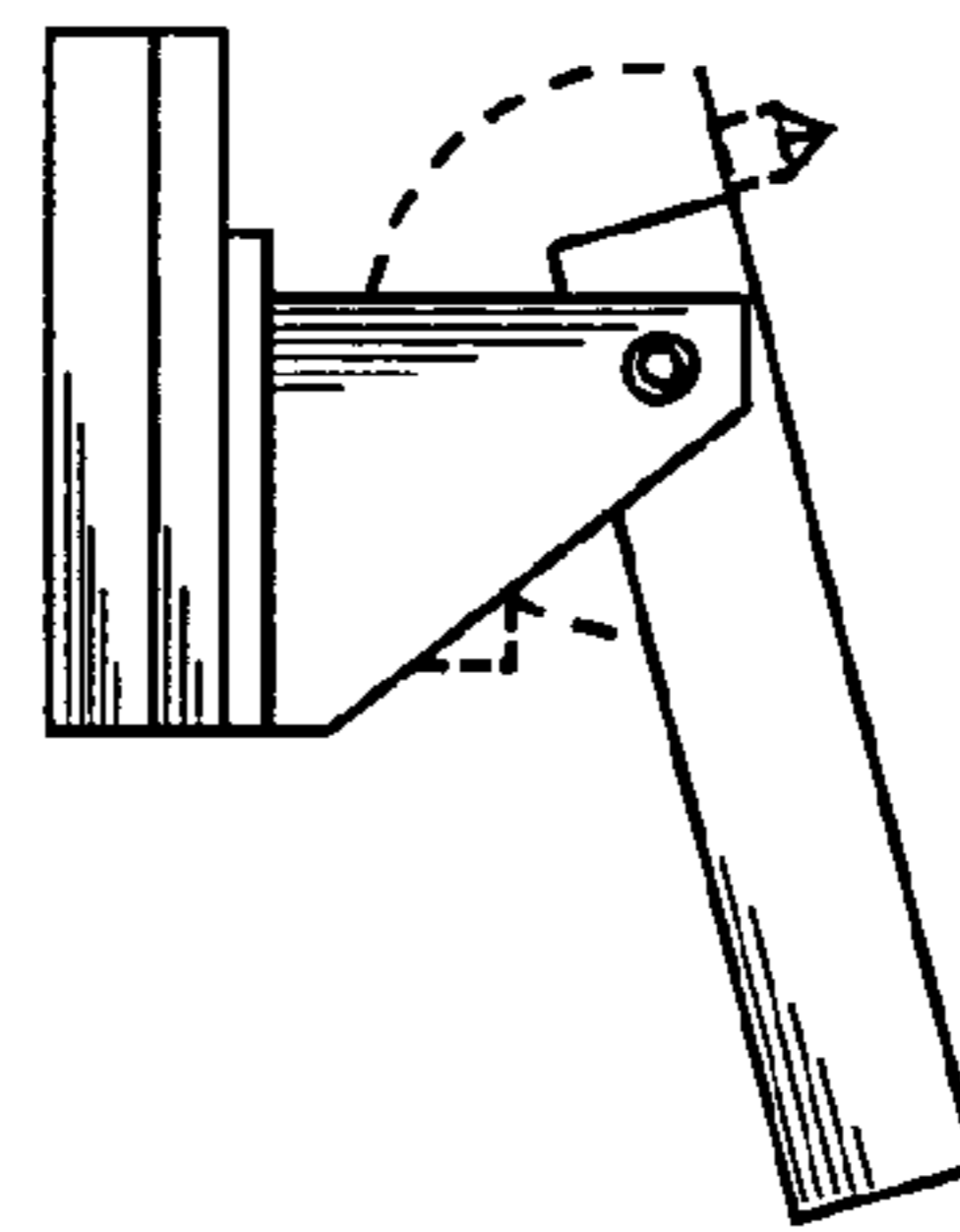


Fig. 2

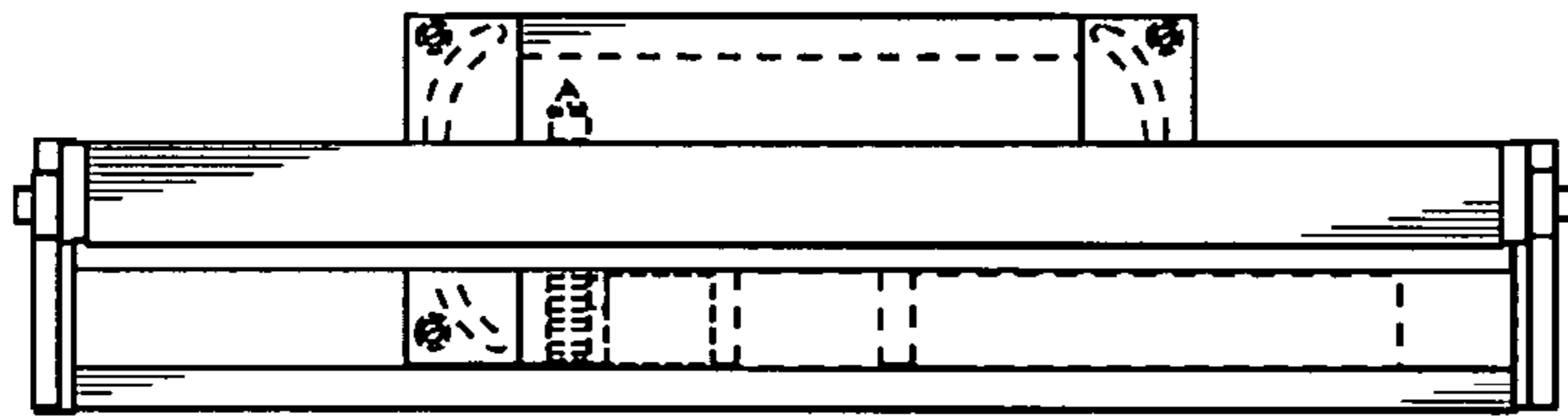


Fig. 3

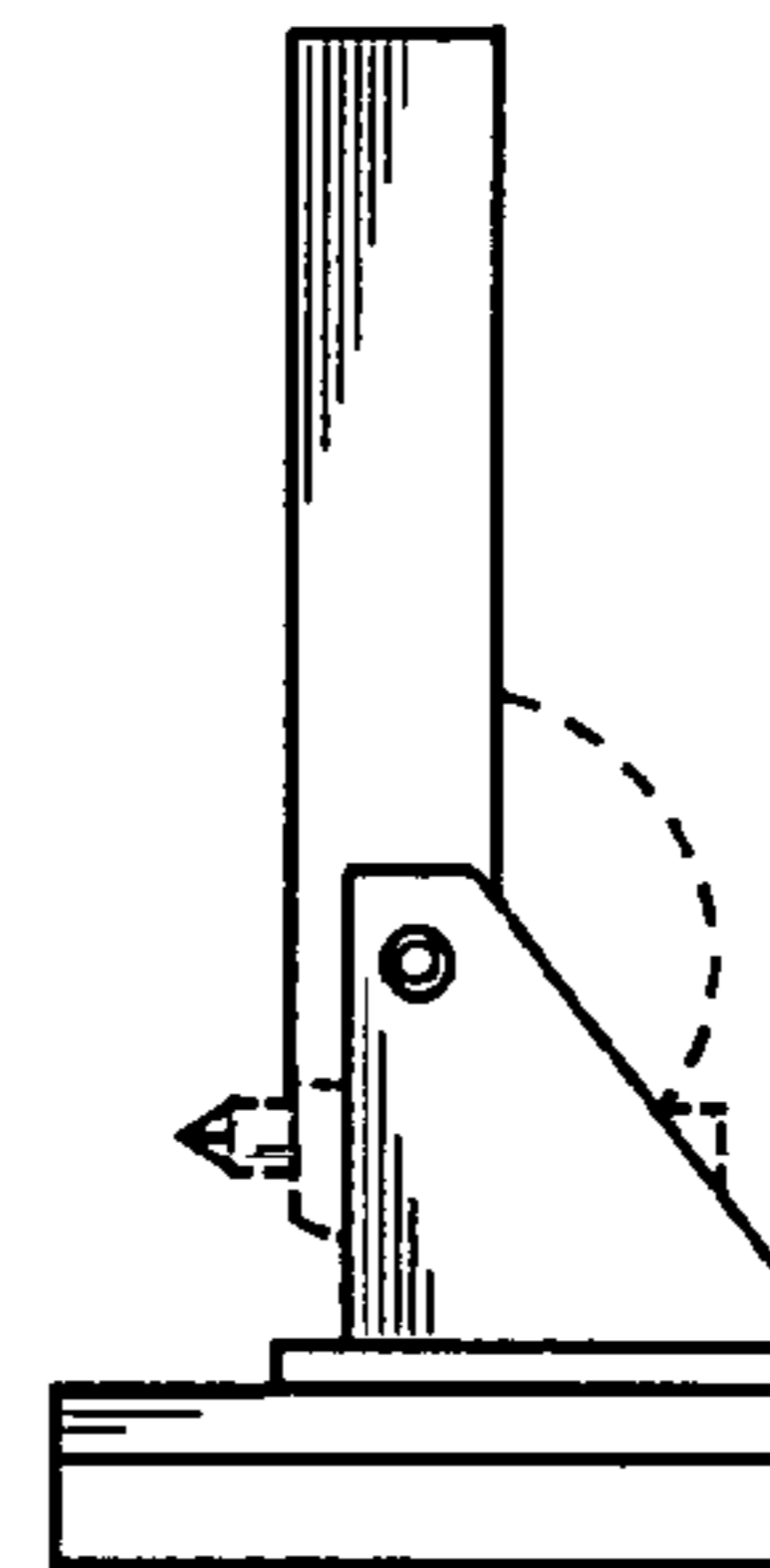


Fig. 4

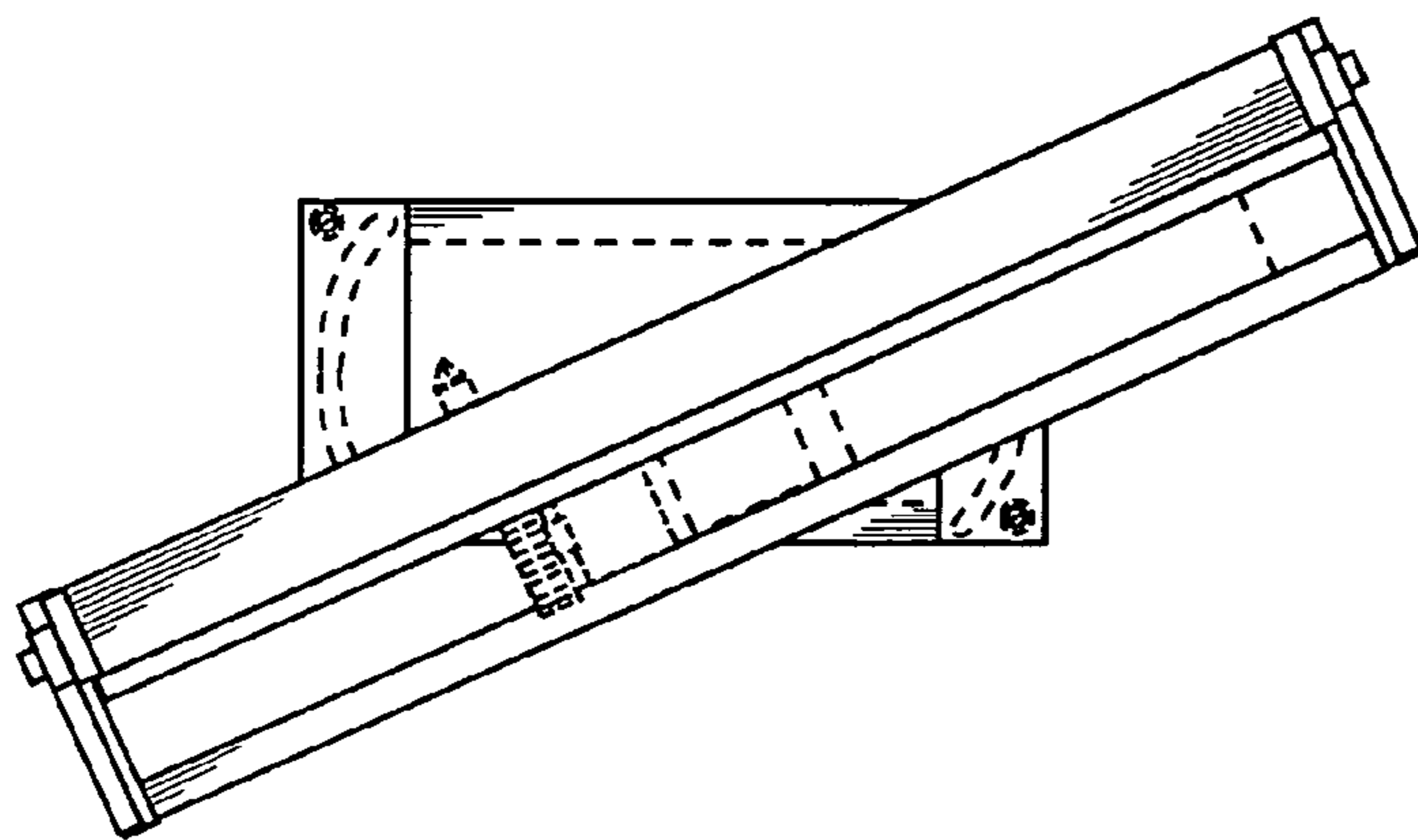


Fig. 5

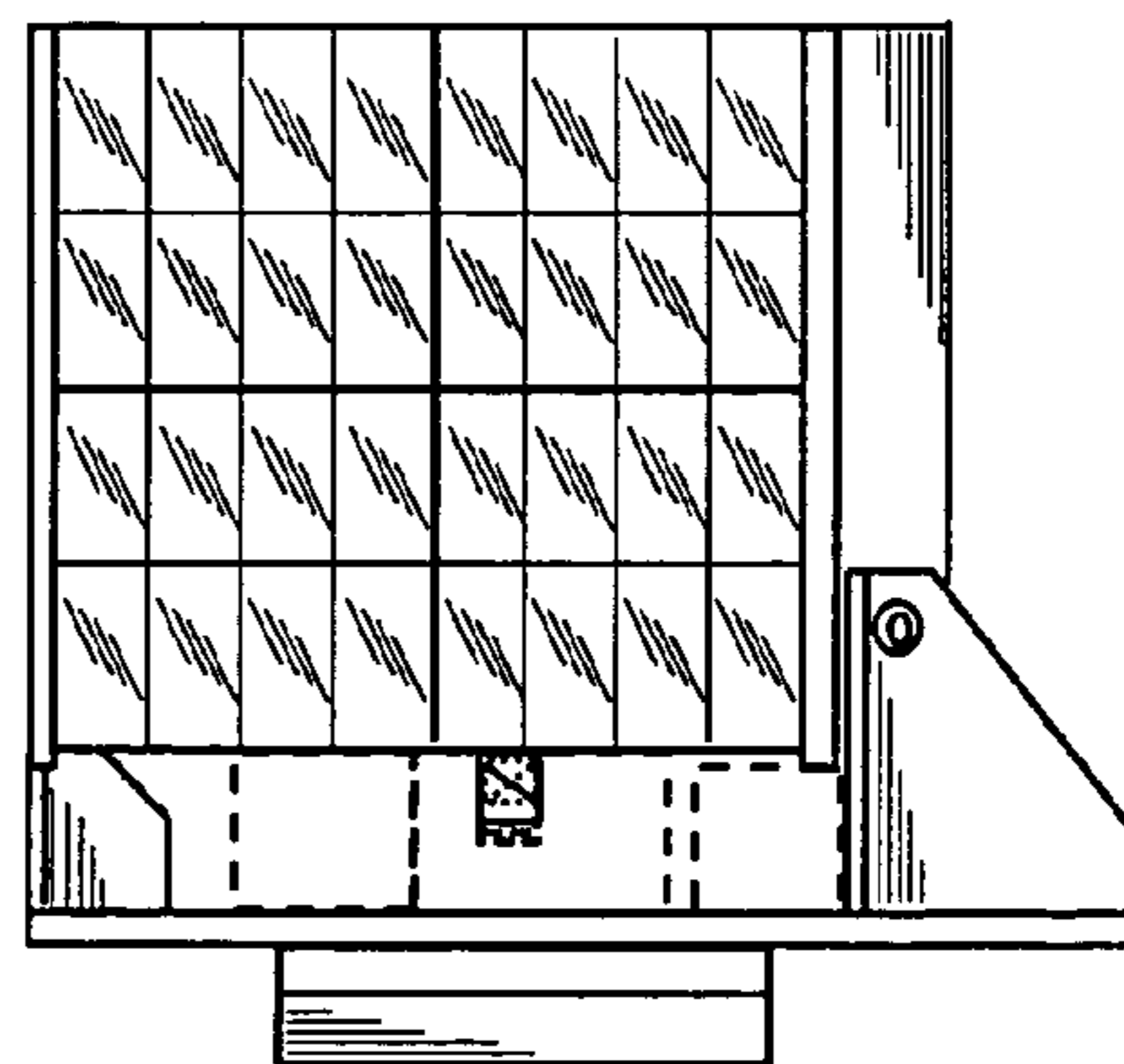


Fig. 6