



US00D620877S

(12) **United States Design Patent**
Rusher et al.

(10) **Patent No.:** **US D620,877 S**
(45) **Date of Patent:** **** Aug. 3, 2010**

(54) **TONNEAU COVER**

(75) Inventors: **Ryan Rusher**, Yankton, SD (US); **Mike Spencer**, Hubbard, NE (US)

(73) Assignee: **Extang Corporation**, Ann Arbor, MI (US)

(**) Term: **14 Years**

(21) Appl. No.: **29/346,520**

(22) Filed: **Nov. 2, 2009**

(51) **LOC (9) Cl.** **12-16**

(52) **U.S. Cl.** **D12/401**

(58) **Field of Classification Search** D12/400,
D12/401, 404, 412, 414, 222, 223, 86, 93,
D12/101, 406; 224/923, 924; 211/100, 124,
211/2, 4, 85.7; D6/552

See application file for complete search history.

(56) **References Cited**

U.S. PATENT DOCUMENTS

2,086,685 A * 7/1937 Thom 15/3.12
5,263,761 A * 11/1993 Hathaway et al. 296/100.18
D428,382 S * 7/2000 Hall D12/401
D434,361 S * 11/2000 Block et al. D12/401
D444,762 S * 7/2001 Werle et al. D12/401

6,857,683 B2 * 2/2005 Myers 296/100.02
D513,226 S * 12/2005 Sancer D12/401
D574,763 S * 8/2008 Smith et al. D12/401
D584,677 S * 1/2009 Jones D12/401

* cited by examiner

Primary Examiner—Caron Veynar

Assistant Examiner—Katrina A Kile

(74) *Attorney, Agent, or Firm*—Harness, Dickey & Pierce, P.L.C.

(57) **CLAIM**

The ornamental design for a tonneau cover, as shown and described.

DESCRIPTION

FIG. 1 is a top perspective view of a tonneau cover showing the new design;

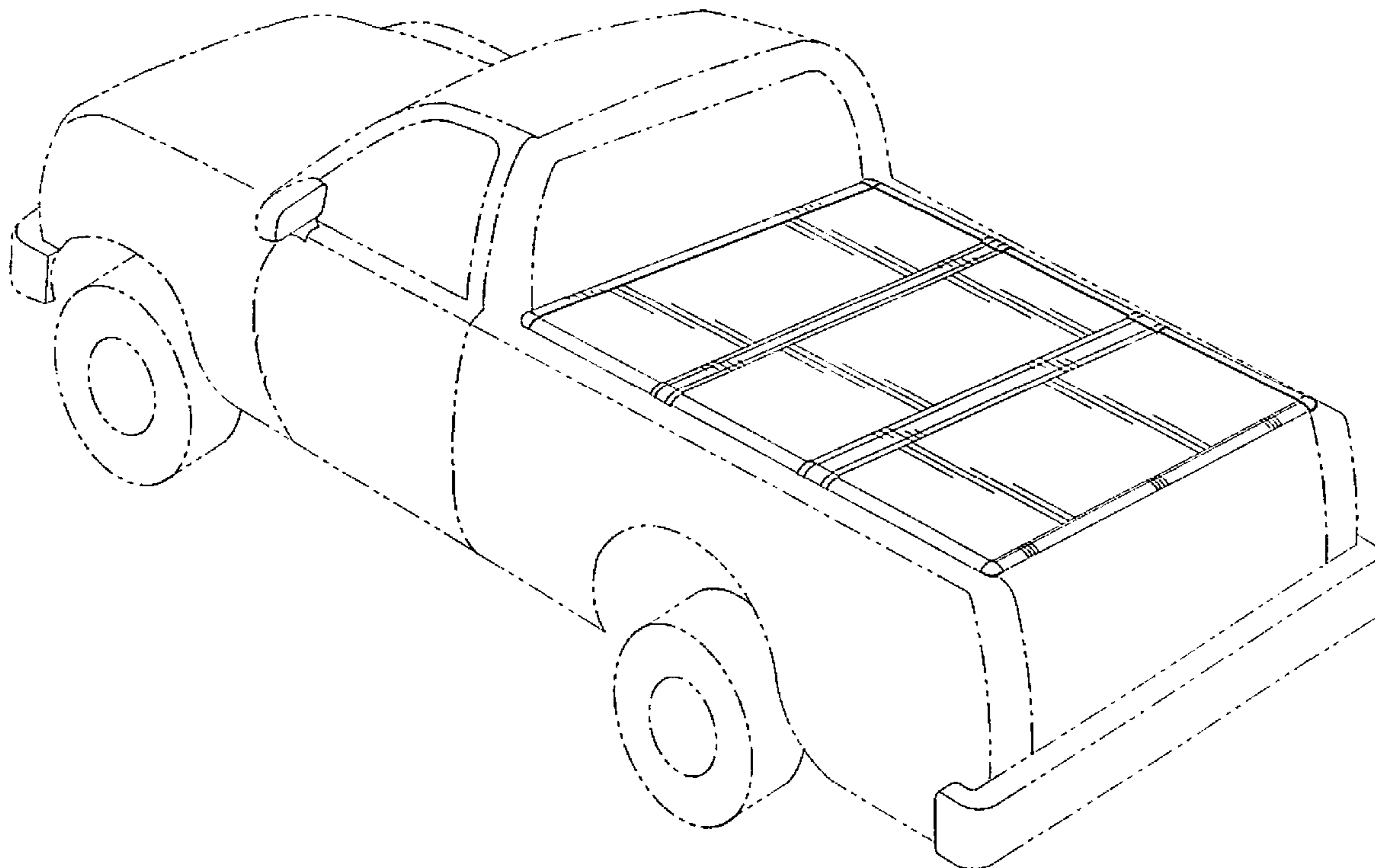
FIG. 2 is a right side elevational view thereof, the left side elevational view being a mirror image;

FIG. 3 is a rear elevational view thereof, the front elevational view being a mirror image; and,

FIG. 4 is a top plan view thereof.

In the drawings, the broken lines depict a truck only and form no part of the claimed design.

1 Claim, 4 Drawing Sheets



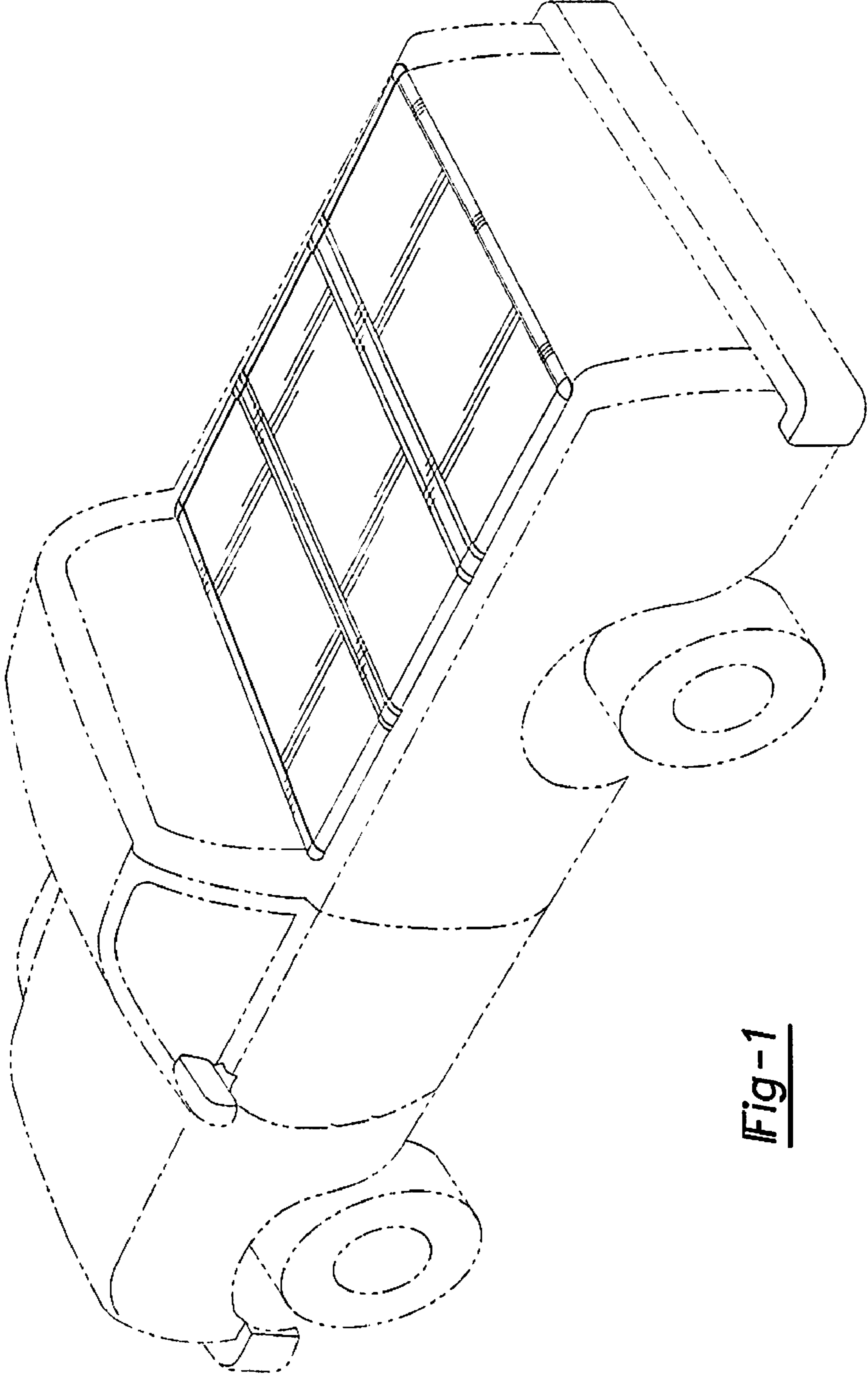


Fig-1

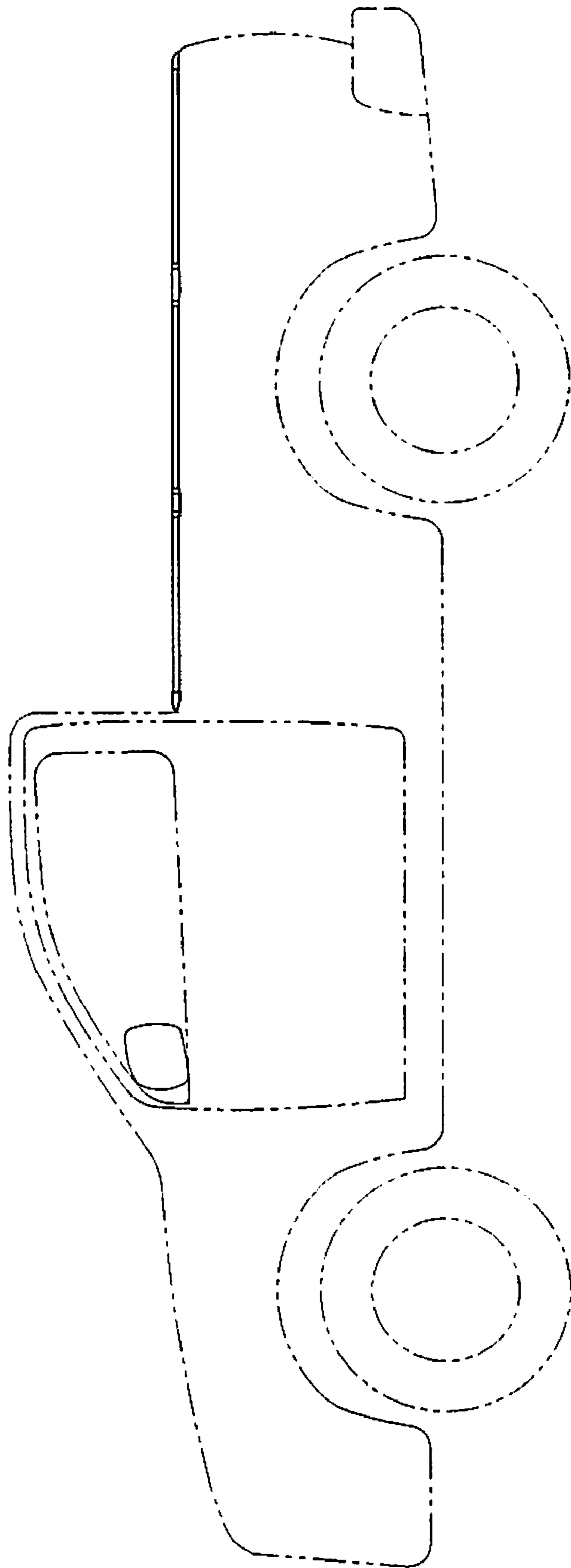


Fig-2

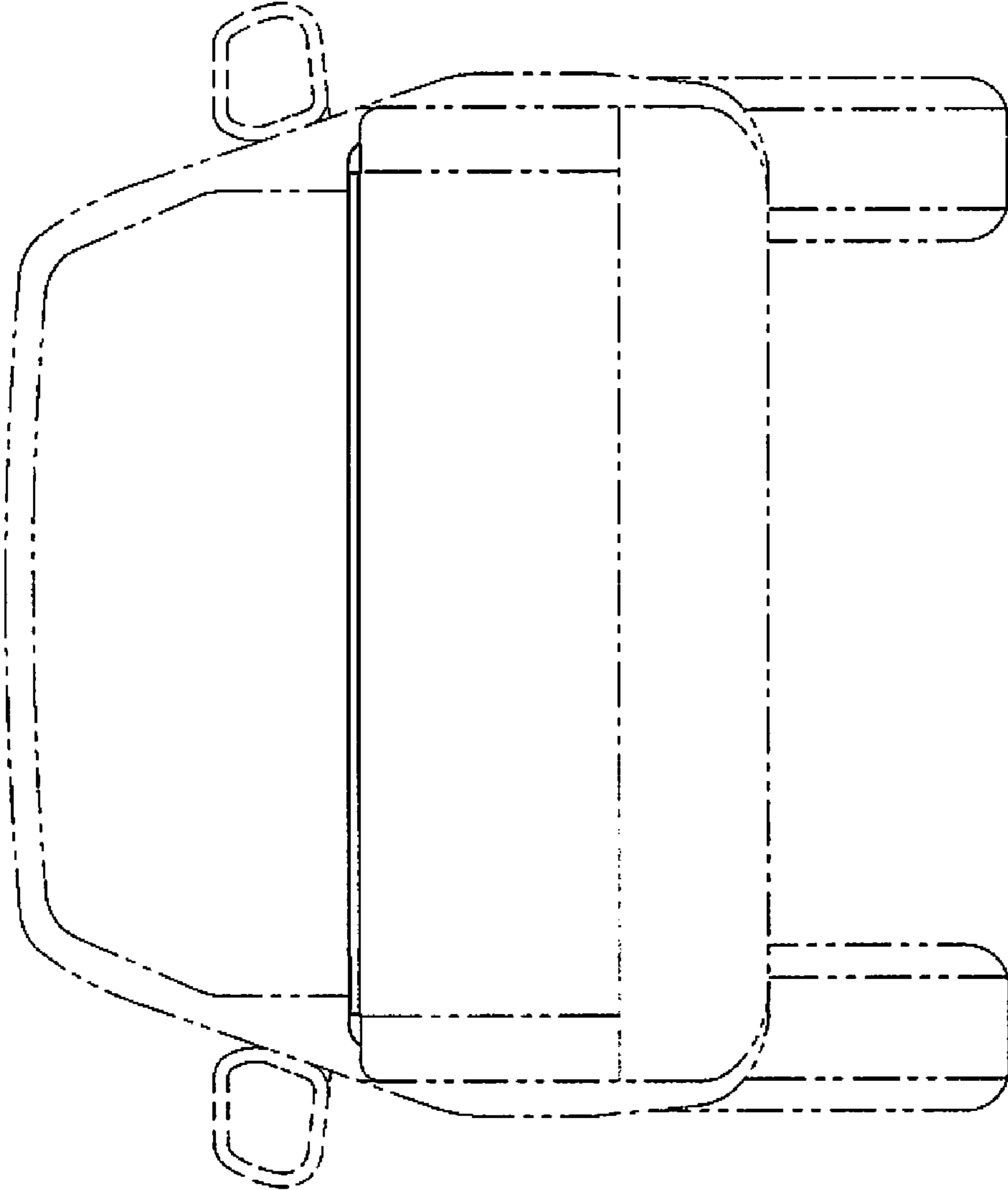


Fig-3

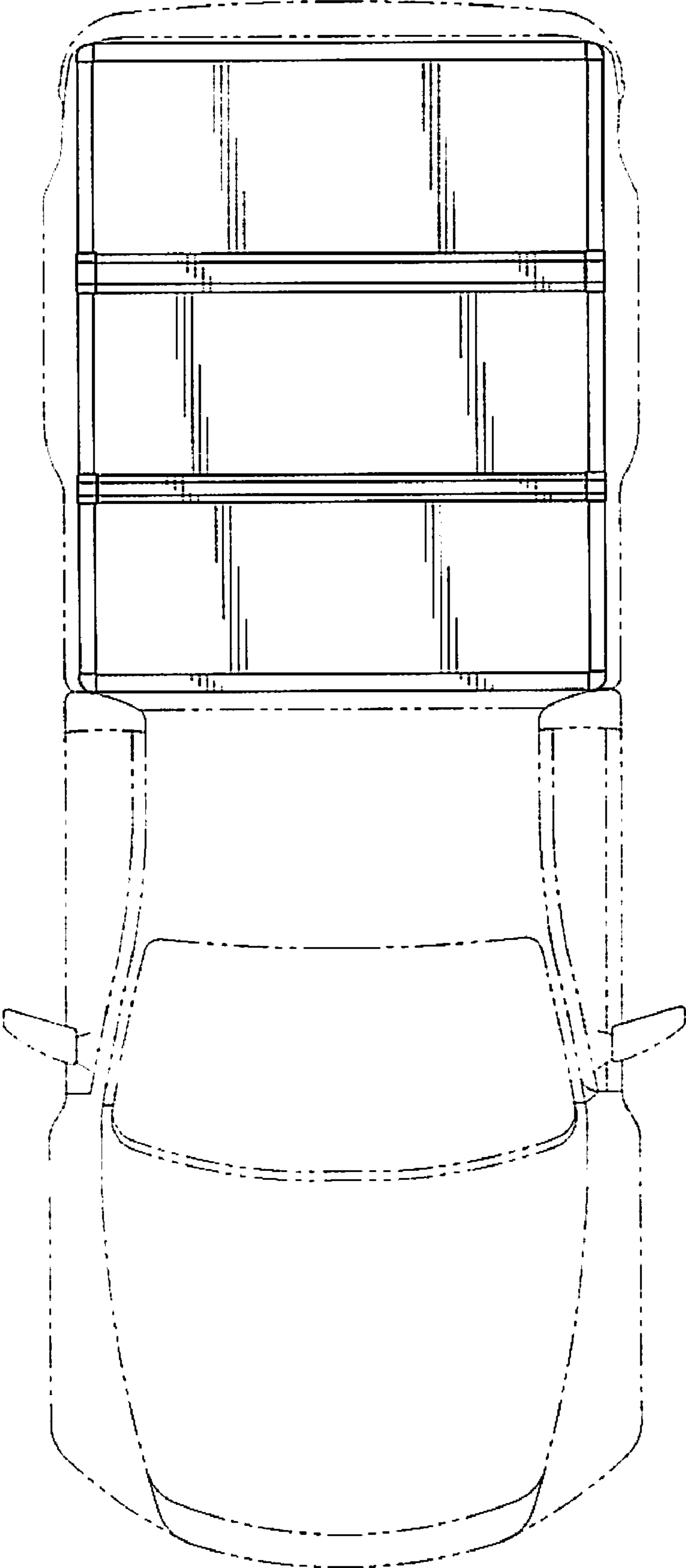


Fig-4