



US00D620872S

(12) **United States Design Patent**  
**Juergens et al.**

(10) **Patent No.:** **US D620,872 S**

(45) **Date of Patent:** **\*\* Aug. 3, 2010**

(54) **WHEEL OR WHEEL COVER**

(75) Inventors: **Dirk Juergens**, Munich (DE); **Rainer Mueller**, Munich (DE)

(73) Assignee: **Bayerische Motoren Werke Aktiengesellschaft**, Munich (DE)

(\*\*) Term: **14 Years**

(21) Appl. No.: **29/347,275**

(22) Filed: **Nov. 19, 2009**

(30) **Foreign Application Priority Data**

May 20, 2009 (DE) ..... 402009002602

(51) **LOC (9) Cl.** ..... **12-16**

(52) **U.S. Cl.** ..... **D12/211**

(58) **Field of Classification Search** ..... D12/204-213;  
301/37.101, 64.101, 65, 64.201

See application file for complete search history.

(56) **References Cited**

**U.S. PATENT DOCUMENTS**

D431,807 S	*	10/2000	Fitzgerald	.....	D12/211
D481,347 S	*	10/2003	Kang	.....	D12/211
D493,405 S	*	7/2004	Boyer	.....	D12/211
D499,681 S	*	12/2004	Boyer	.....	D12/209
D504,649 S	*	5/2005	Pfeiffer	.....	D12/209
D508,671 S		8/2005	Baum		
D513,221 S	*	12/2005	Pfeiffer	.....	D12/211
D513,726 S	*	1/2006	Kamimura	.....	D12/211
D519,434 S	*	4/2006	Werner	.....	D12/211
D526,609 S	*	8/2006	Hosoi	.....	D12/209

D529,429 S	*	10/2006	Hsu	.....	D12/209
D554,034 S	*	10/2007	Madden	.....	D12/209
D555,566 S		11/2007	Hlinovsky		
D560,152 S		1/2008	Nordmann et al.		
D573,079 S		7/2008	Huet		
D576,534 S	*	9/2008	Pfeiffer	.....	D12/209
D581,339 S	*	11/2008	Schweizer	.....	D12/209
D589,864 S	*	4/2009	Friedrich et al.	.....	D12/209
D597,918 S	*	8/2009	Juergens et al.	.....	D12/209

**FOREIGN PATENT DOCUMENTS**

DE	40201915	7/2002
EM	000090410-0004	3/2004
EM	000440813-0006	1/2006
EM	000754593-0003	9/2007
EM	000624812-0003	3/2008

\* cited by examiner

*Primary Examiner*—Stacia Cadmus

(74) *Attorney, Agent, or Firm*—Crowell & Moring LLP

(57) **CLAIM**

The ornamental design for a wheel or wheel cover, as shown and described.

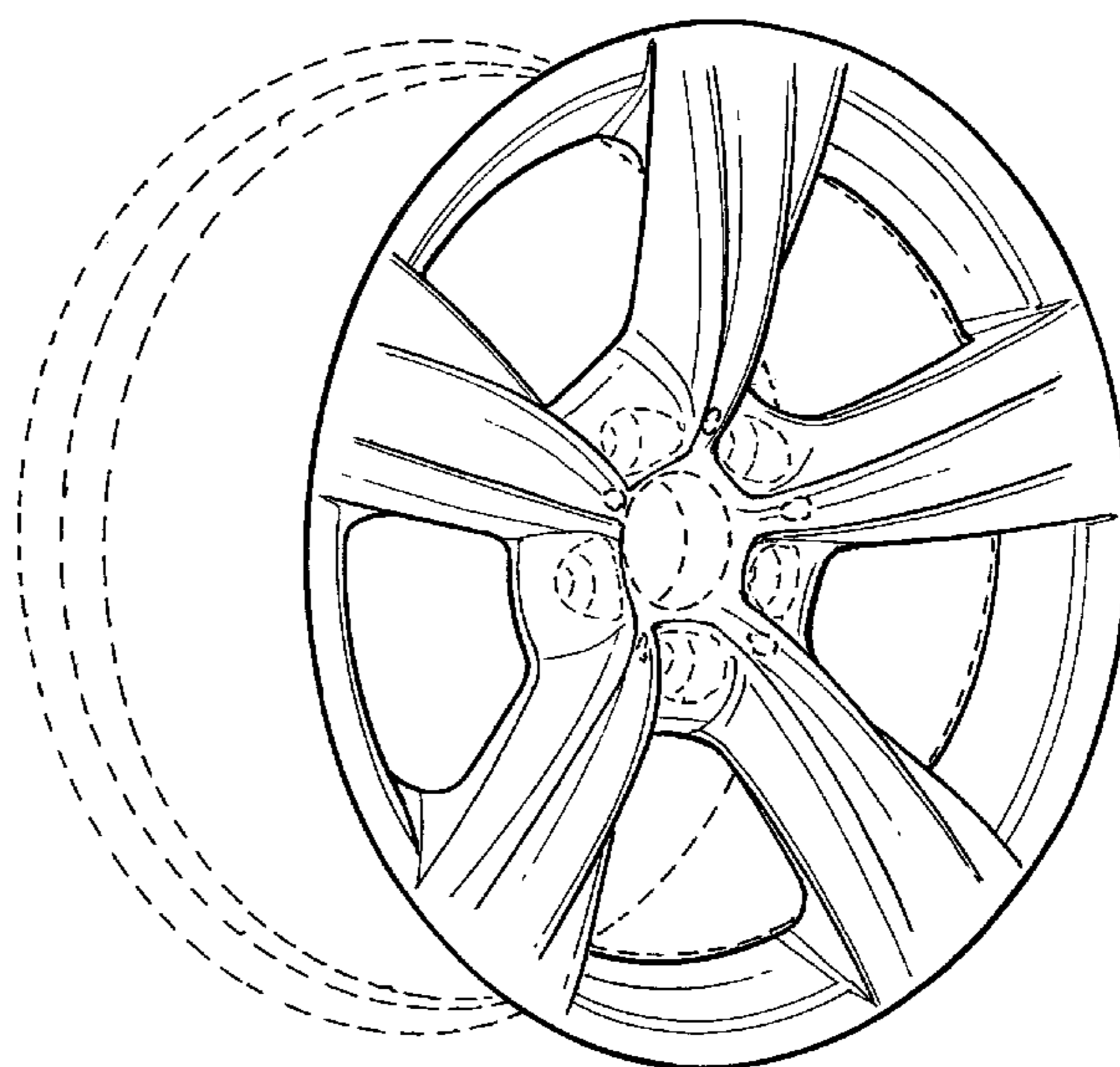
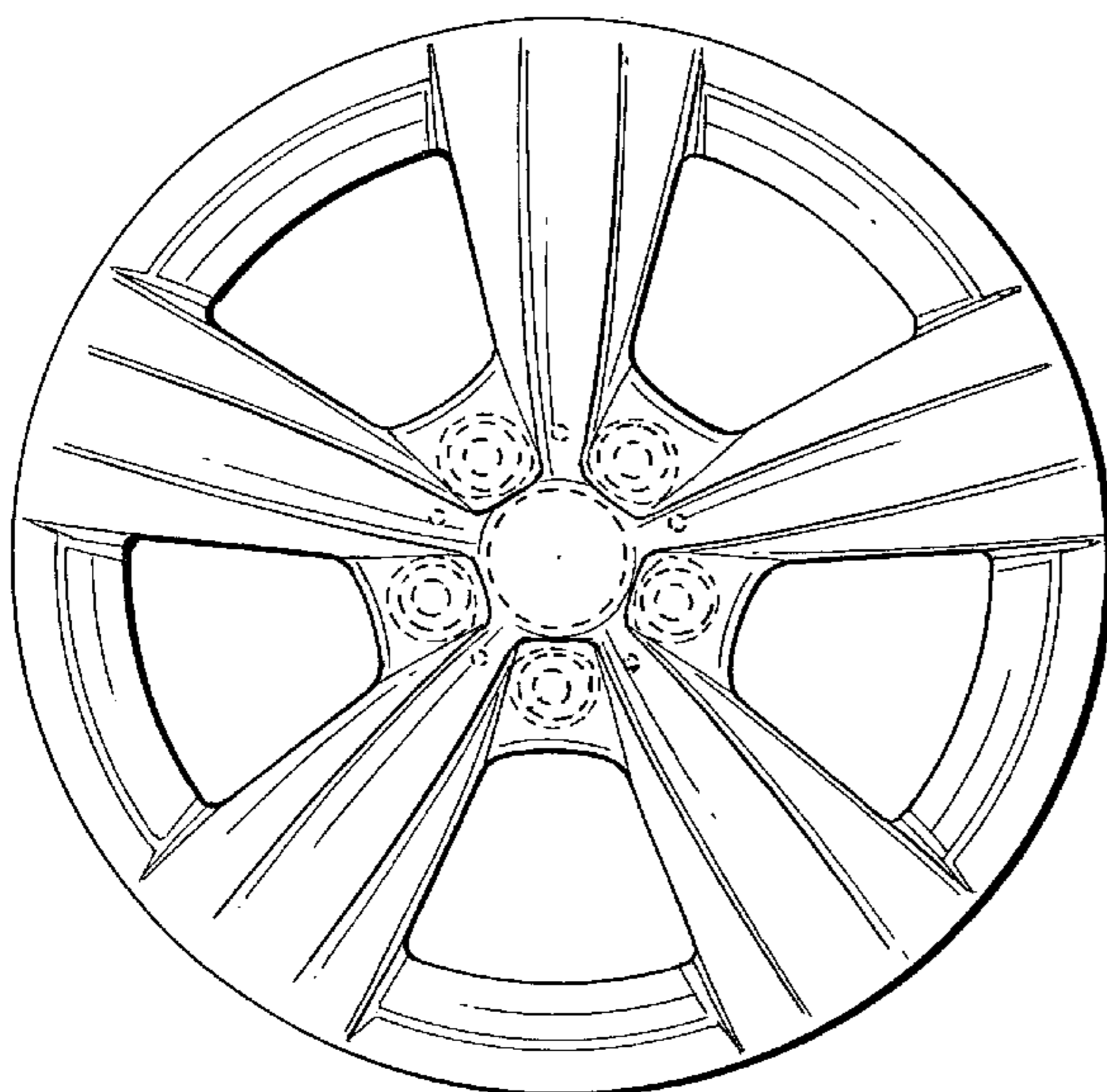
**DESCRIPTION**

FIG. 1 is a front view of a wheel or wheel cover according to our design; and,

FIG. 2 is a perspective view thereof.

The broken line showing of the rear of the rim and the bolt holes and center hole in the central hub area is included for the purpose of illustrating environment and forms no part of the claimed design.

**1 Claim, 1 Drawing Sheet**



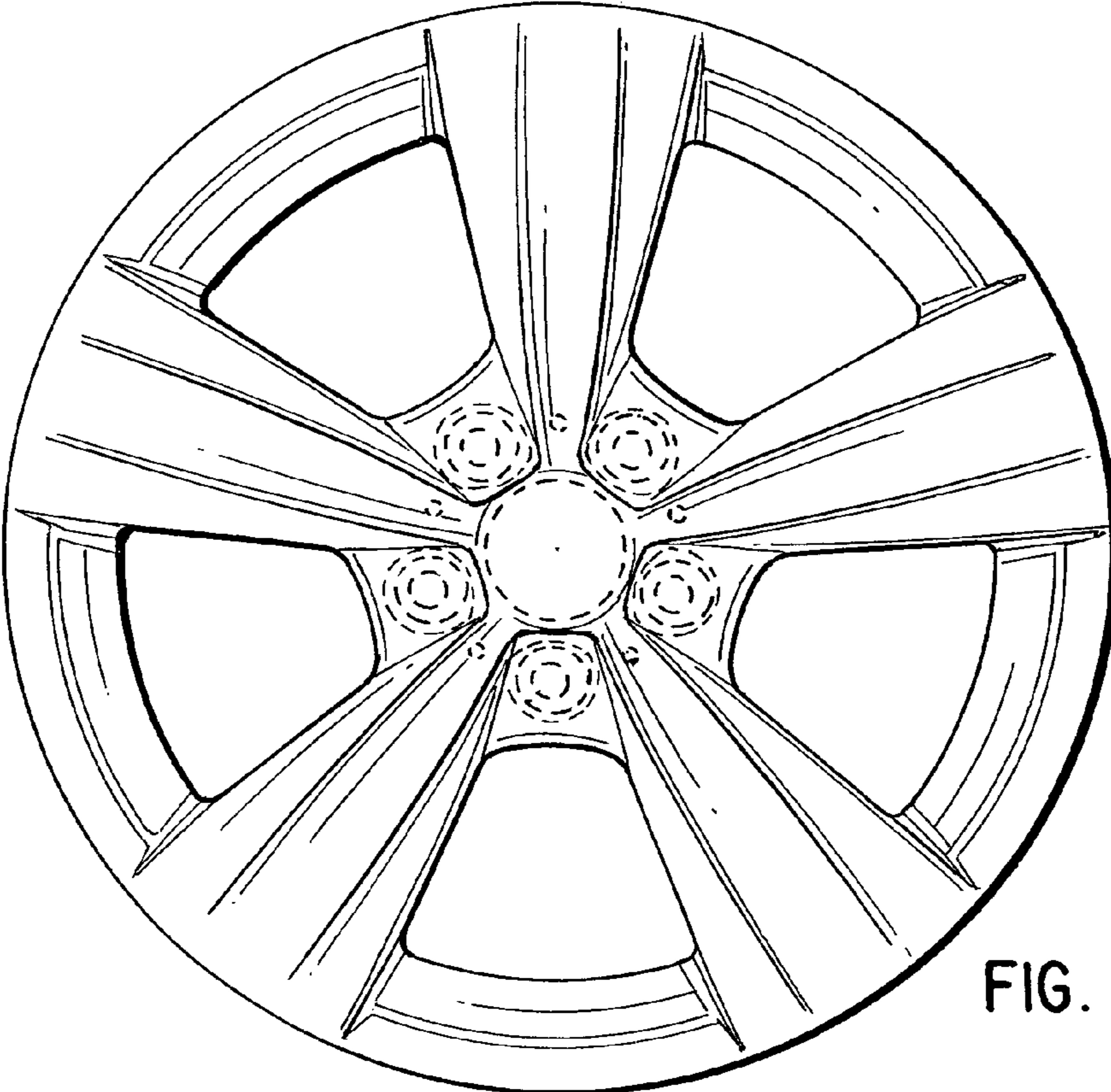


FIG. 1

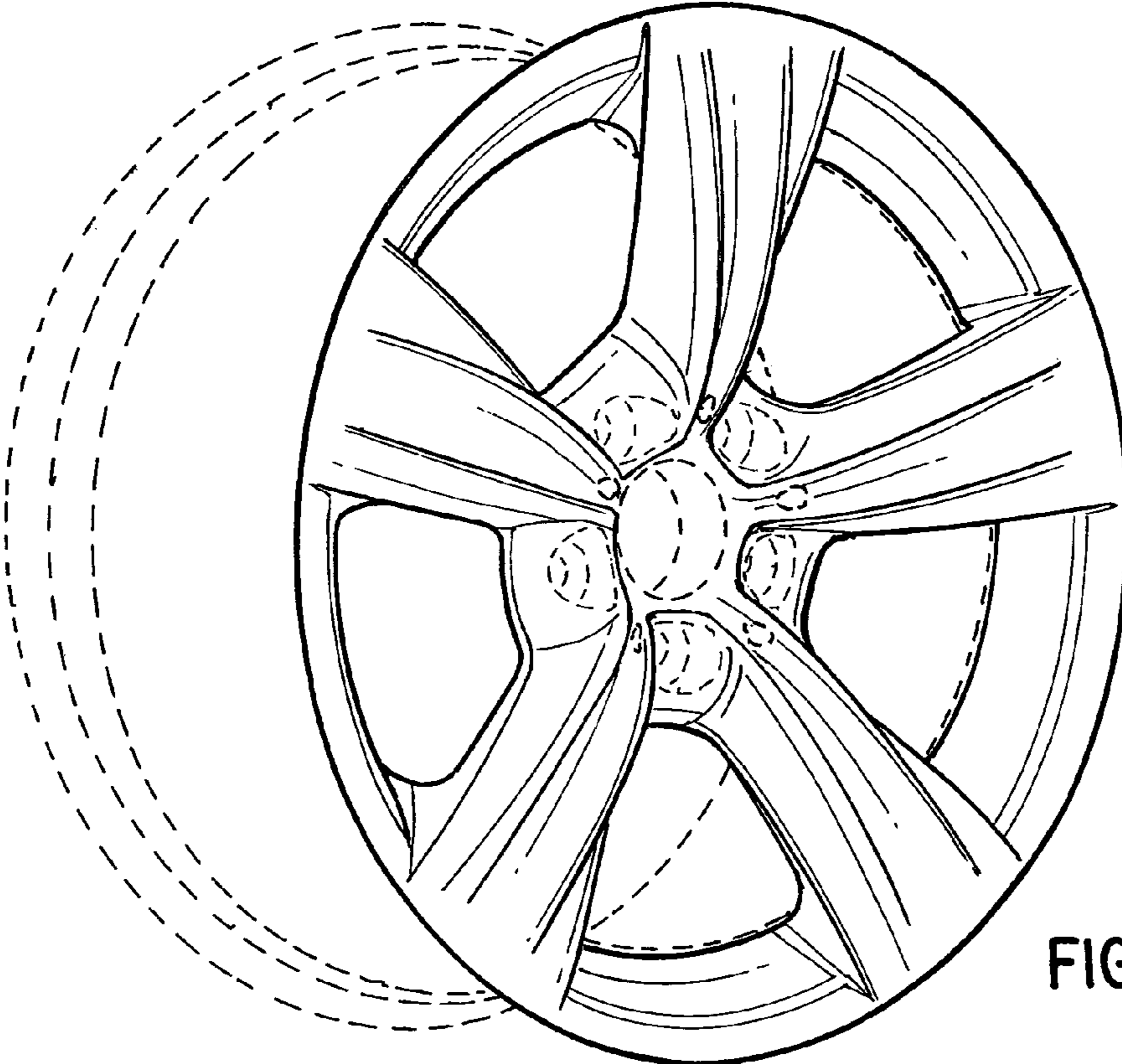


FIG. 2