



US00D620871S

(12) **United States Design Patent**
Juergens et al.

(10) **Patent No.:** **US D620,871 S**

(45) **Date of Patent:** **** Aug. 3, 2010**

(54) **WHEEL OR WHEEL COVER**

(75) Inventors: **Dirk Juergens**, Munich (DE); **Rainer Mueller**, Munich (DE)

(73) Assignee: **Bayerische Motoren Werke Aktiengesellschaft**, Munich (DE)

(**) Term: **14 Years**

(21) Appl. No.: **29/347,273**

(22) Filed: **Nov. 19, 2009**

(30) **Foreign Application Priority Data**

May 20, 2009 (DE) 402009002602

(51) **LOC (9) Cl.** **12-16**

(52) **U.S. Cl.** **D12/211**

(58) **Field of Classification Search** D12/204-213;
301/37.101, 64.101, 65, 64.201

See application file for complete search history.

(56) **References Cited**

U.S. PATENT DOCUMENTS

D316,998 S	5/1991	Hausmann	
D392,239 S *	3/1998	Cullen	D12/211
D415,991 S *	11/1999	Wang	D12/211
D450,288 S *	11/2001	Lee	D12/209
D477,556 S *	7/2003	Koch	D12/211
D486,772 S	2/2004	Warming	
D488,761 S *	4/2004	Kuninari et al.	D12/209
D508,007 S *	8/2005	Koch	D12/211
D513,728 S *	1/2006	Yazawa et al.	D12/211
D516,493 S	3/2006	Frizzi	
D525,184 S	7/2006	Huet	
D535,935 S *	1/2007	Scheu	D12/211
D577,322 S *	9/2008	Scheu	D12/209
D581,337 S	11/2008	Juergens et al.	
D584,208 S	1/2009	Markefka	
D591,662 S *	5/2009	Imai	D12/211
D593,476 S	6/2009	Juergens et al.	

D594,800 S	6/2009	Blasi	
D608,712 S	1/2010	Pollmann	
D609,624 S *	2/2010	Matsubara	D12/211

FOREIGN PATENT DOCUMENTS

DE	M8801012.0	12/1988
DE	40202745.0	7/2002
EM	000330774-0006	6/2005
EM	000422795-0004	12/2005
EM	000577945-0004	9/2006
EM	000889951-0001	4/2008
EM	000976881-0003	10/2008
EM	000997572-0003	10/2008
EM	001621541-0002	10/2009
EM	001036552-0002	11/2009
EM	001598277-0003	1/2010

* cited by examiner

Primary Examiner—Stacia Cadmus

(74) *Attorney, Agent, or Firm*—Crowell & Moring LLP

(57) **CLAIM**

The ornamental design for a wheel or wheel cover, as shown and described.

DESCRIPTION

This application contains subject matter related to the following pending U.S. design patent applications:

Application Ser. No. 29/347,009; and

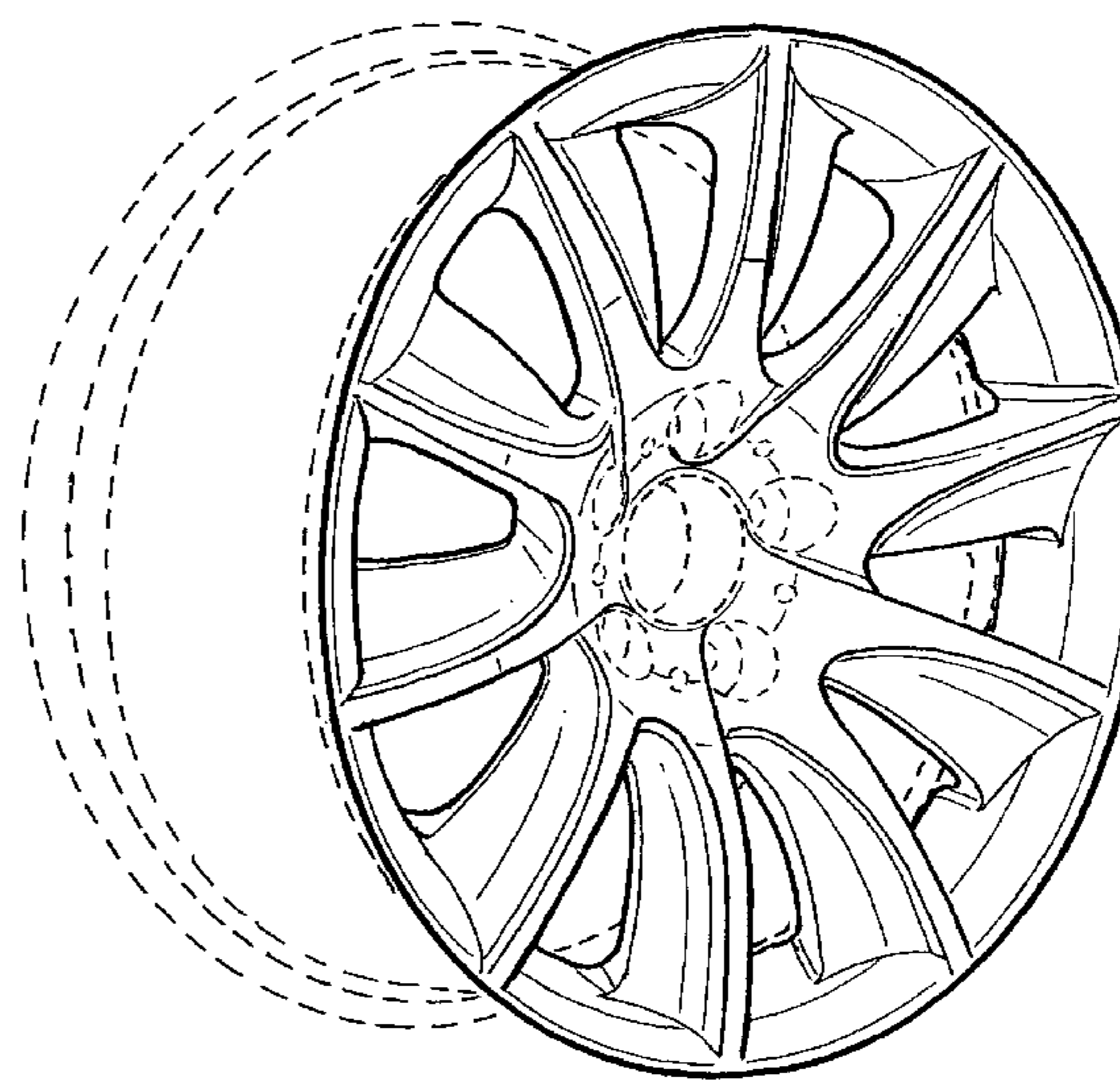
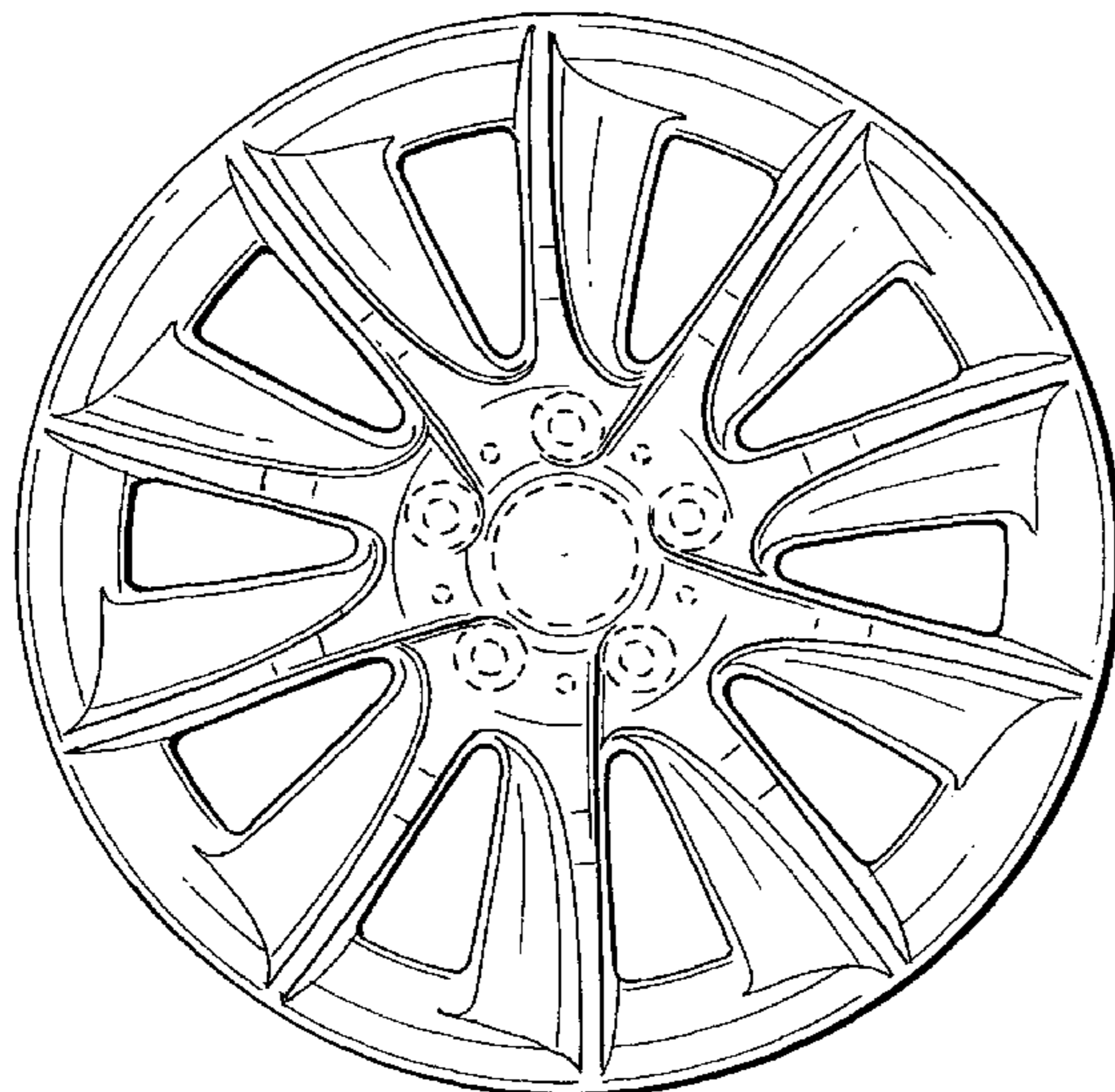
Application Ser. No. 29/350,139.

FIG. 1 is a front view of a wheel or wheel cover according to our design; and,

FIG. 2 is a perspective view thereof.

The broken line showing of the rear of the rim and the bolt holes and center hole in the central hub area is included for the purpose of illustrating environment and forms no part of the claimed design.

1 Claim, 1 Drawing Sheet



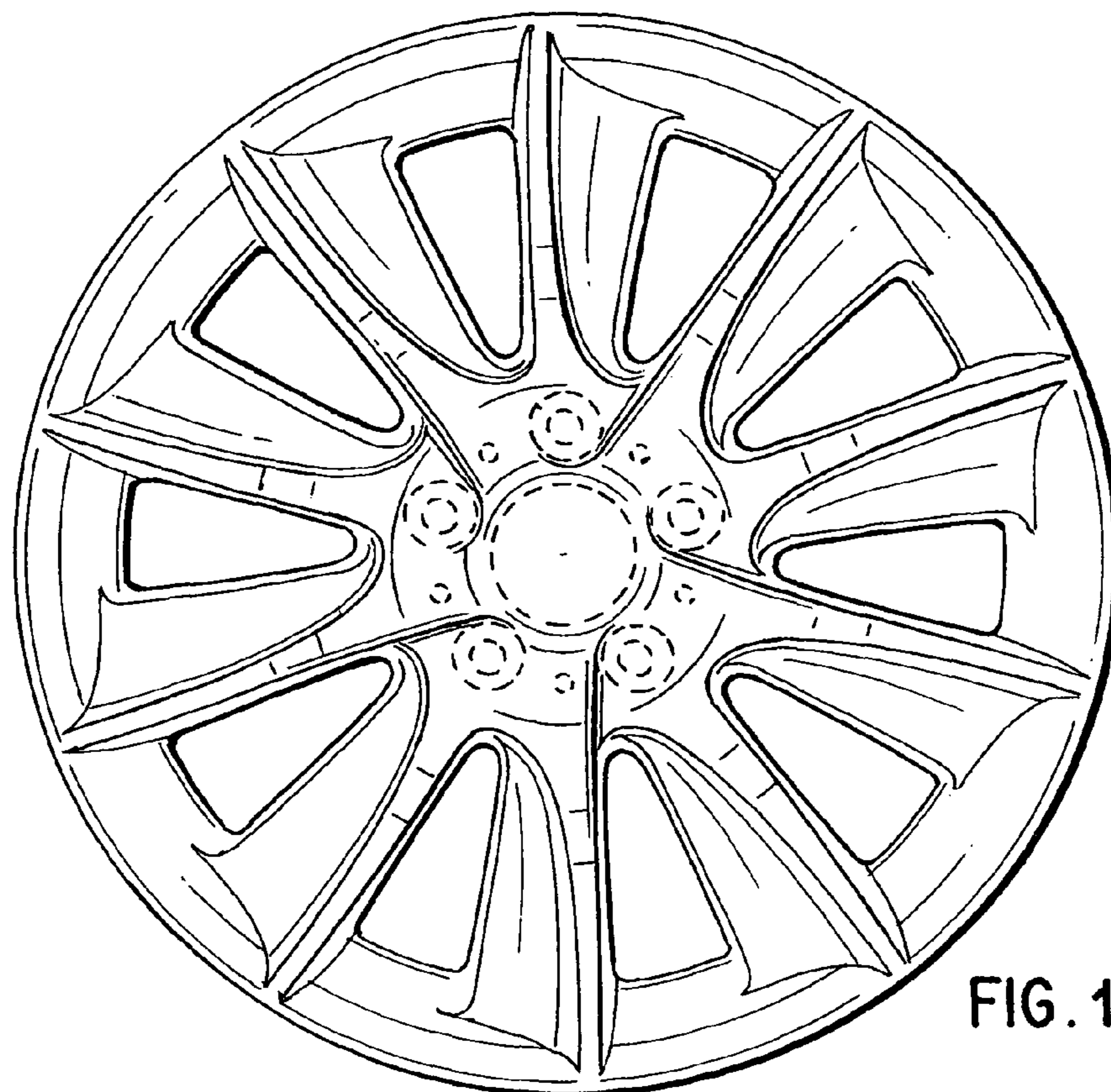


FIG. 1

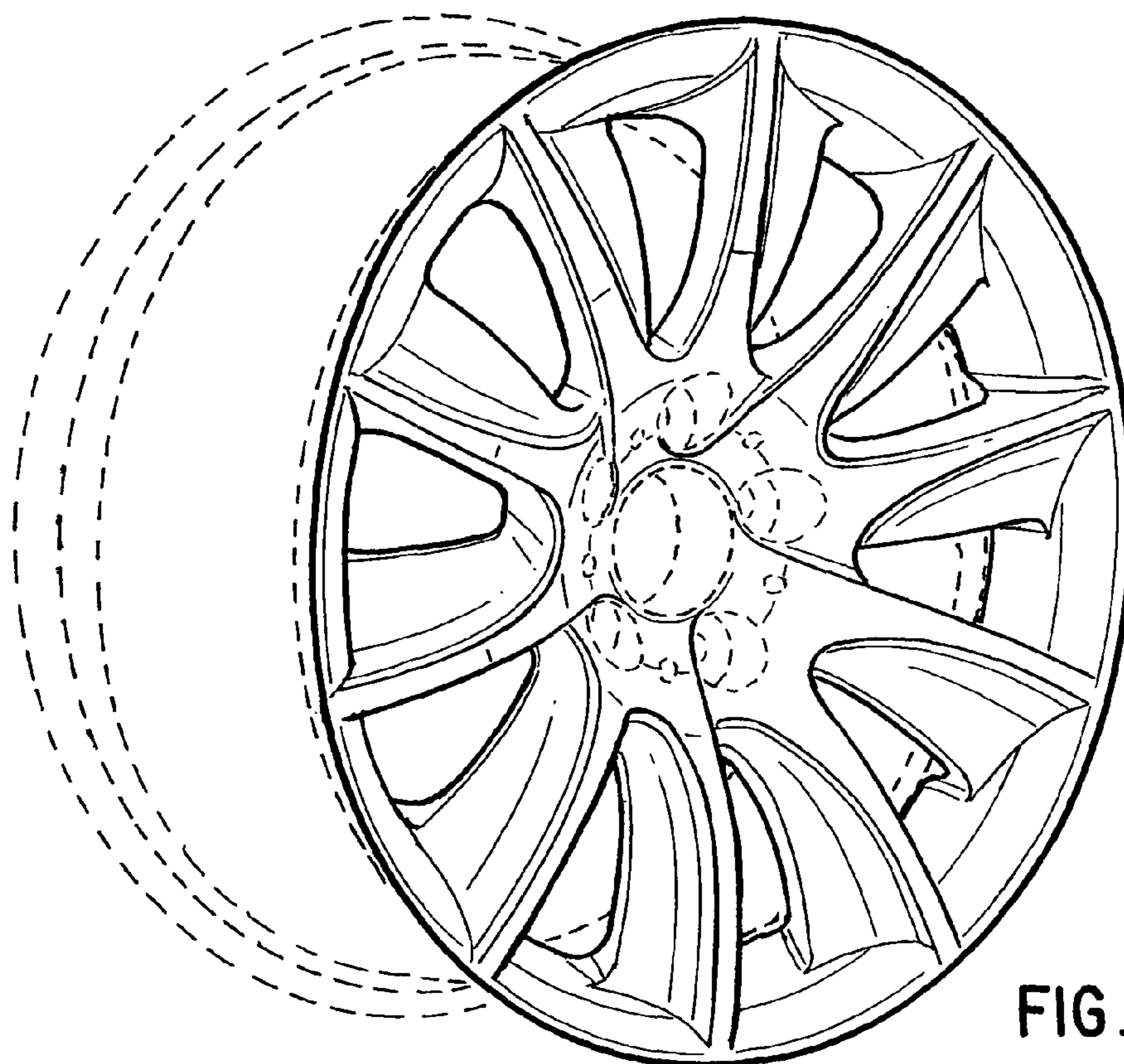


FIG. 2