



US00D620870S

(12) **United States Design Patent**  
**Powell**

(10) **Patent No.:** **US D620,870 S**

(45) **Date of Patent:** **\*\* Aug. 3, 2010**

(54) **WHEEL OR WHEEL COVER**

D593,022 S 5/2009 Forster et al.

(75) Inventor: **Robert Powell**, Diessen (DE)

FOREIGN PATENT DOCUMENTS

(73) Assignee: **Bayerische Motoren Werke Aktiengesellschaft**, Munich (DE)

DE	M9704929	11/1997
DE	40010998.0	3/2001
EM	000090410-0002	3/2004
EM	000398052-0002	8/2006
EM	000735758-0006	7/2007
EM	000754593-0005	9/2007
EM	000976881-0001	10/2008
EM	000997572-0005	10/2008
EM	000968615-0001	6/2009
EM	001049324-0002	9/2009
EM	001621541-0004	10/2009
EM	000936281-0005	11/2009
EM	001598277-0001	1/2010

(\*\*) Term: **14 Years**

(21) Appl. No.: **29/347,272**

(22) Filed: **Nov. 19, 2009**

(30) **Foreign Application Priority Data**

May 20, 2009 (DE) ..... 402009002602

(51) **LOC (9) Cl.** ..... **12-16**

(52) **U.S. Cl.** ..... **D12/211**

(58) **Field of Classification Search** ..... D12/204-213;  
301/37.101, 64.101, 65, 64.201

See application file for complete search history.

\* cited by examiner

*Primary Examiner*—Stacia Cadmus

(74) *Attorney, Agent, or Firm*—Crowell & Moring LLP

(56) **References Cited**

(57) **CLAIM**

U.S. PATENT DOCUMENTS

The ornamental design for a wheel or wheel cover, as shown and described.

D402,951 S	12/1998	Wechner	
D409,552 S *	5/1999	Chung	D12/211
D419,945 S *	2/2000	Hartanto	D12/211
D451,463 S *	12/2001	Murkett et al.	D12/209
D456,333 S	4/2002	Pollmann	
D459,688 S *	7/2002	Wiesinger	D12/211
D494,917 S	8/2004	Pollmann	
D513,727 S *	1/2006	Gallert	D12/211
D522,954 S	6/2006	Hueller	
D566,642 S *	4/2008	Scheu	D12/211
D567,167 S	4/2008	Forster	
D567,738 S *	4/2008	Habib et al.	D12/211
D568,800 S	5/2008	Huet	
D577,650 S *	9/2008	Chung	D12/211
D583,739 S *	12/2008	Gallert	D12/209
D583,742 S *	12/2008	Juergens et al.	D12/211

**DESCRIPTION**

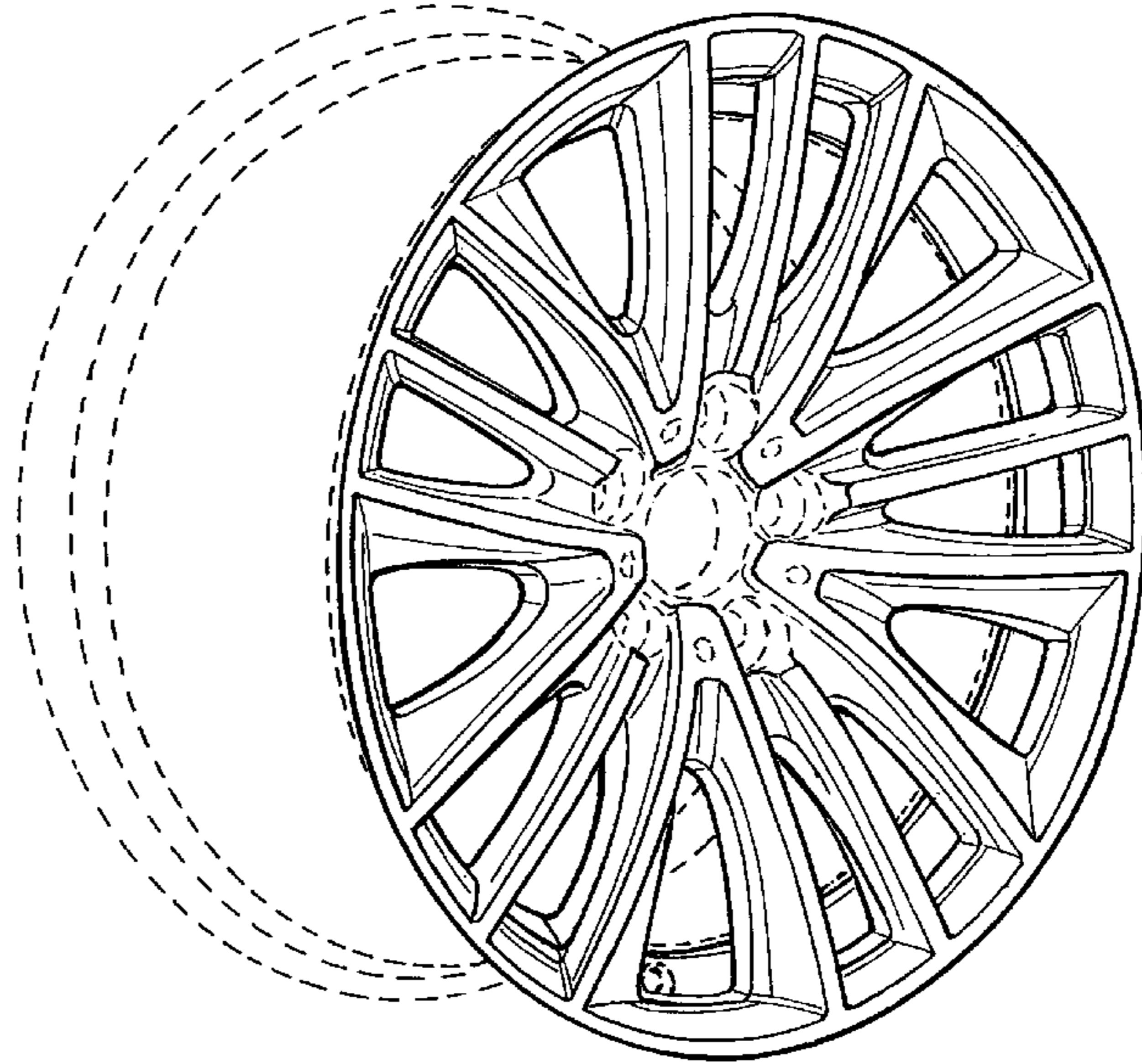
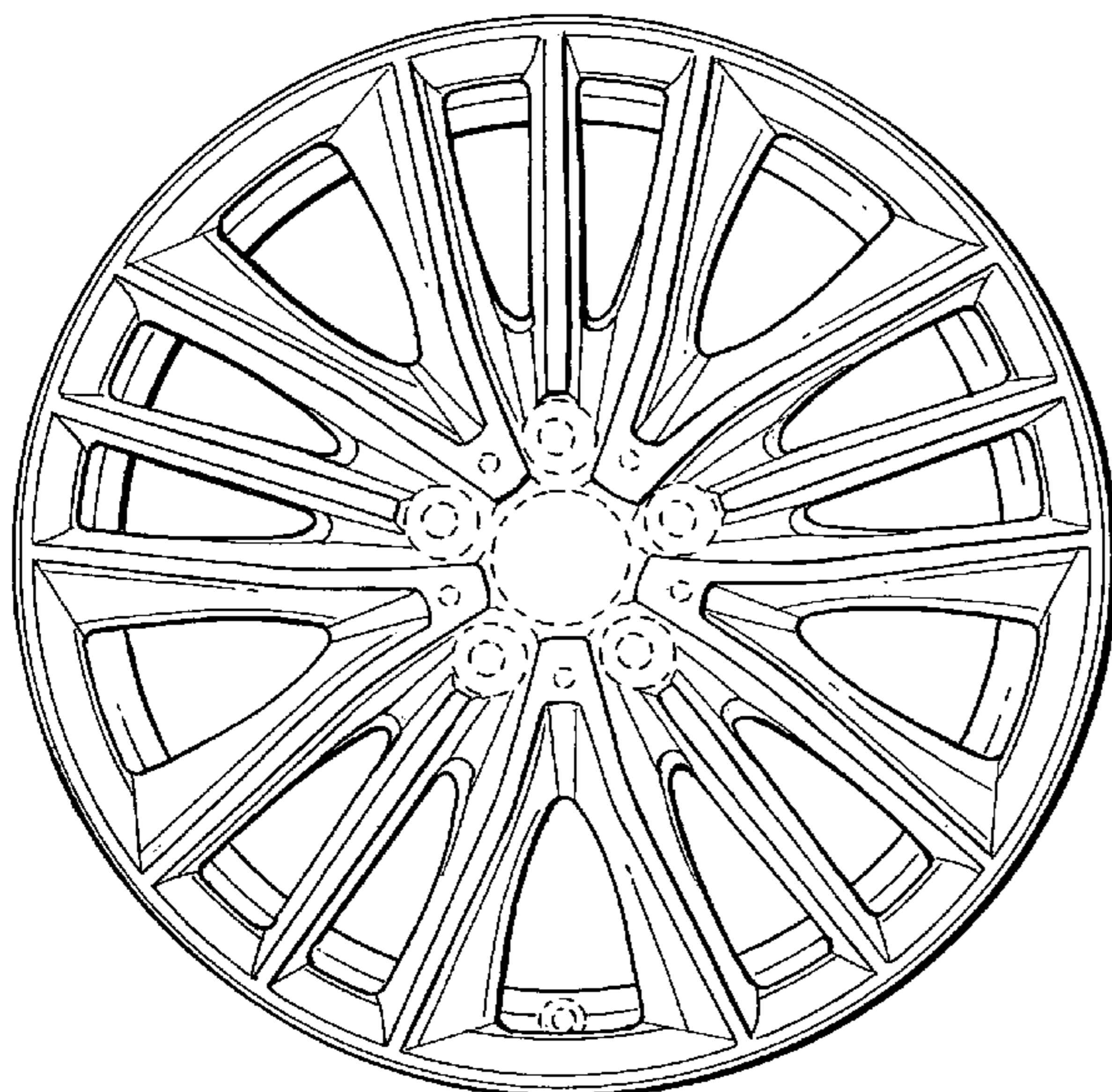
This application contains subject matter related to the following pending U.S. design patent applications: Application Ser. No. 29/347,010; and Application Ser. No. 29/350,140.

FIG. 1 is a front view of a wheel or wheel cover according to my design; and,

FIG. 2 is a perspective view thereof.

The broken line showing of the rear of the rim and the bolt holes and center hole in the central hub area is included for the purpose of illustrating environment and forms no part of the claimed design.

**1 Claim, 1 Drawing Sheet**



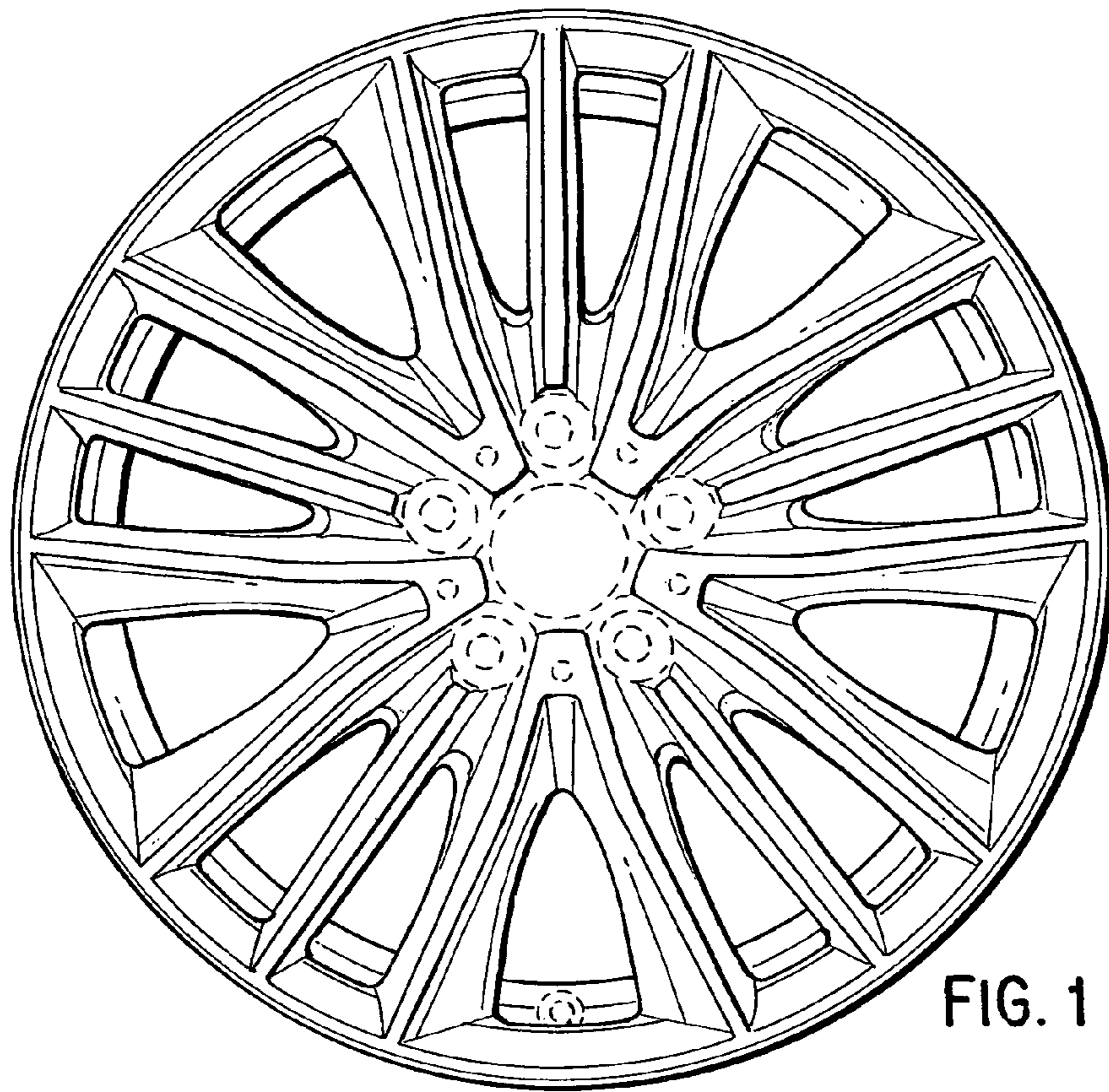


FIG. 1

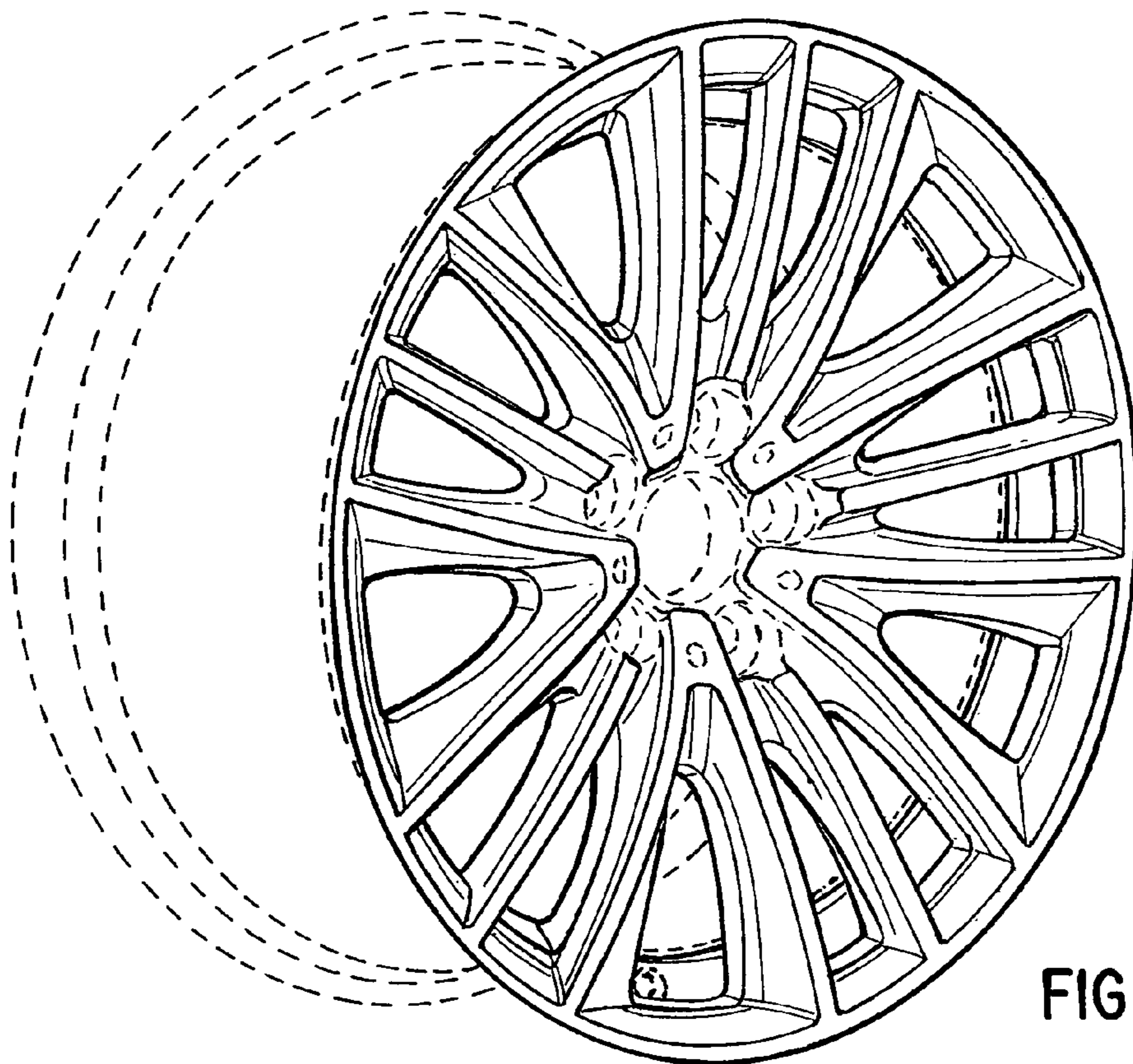


FIG. 2