



US00D620869S

(12) **United States Design Patent**  
**Groom**

(10) **Patent No.:** **US D620,869 S**

(45) **Date of Patent:** **\*\* Aug. 3, 2010**

(54) **WHEEL**

(75) **Inventor:** **Colbey Groom**, Murrieta, CA (US)

(73) **Assignee:** **Wheel Pros, LLC**, Lakewood, CO (US)

(\*\*) **Term:** **14 Years**

(21) **Appl. No.:** **29/346,578**

(22) **Filed:** **Nov. 3, 2009**

(51) **LOC (9) Cl.** ..... **12-16**

(52) **U.S. Cl.** ..... **D12/211**

(58) **Field of Classification Search** ..... D12/204–213;  
301/37.101, 64.101, 65, 64.201  
See application file for complete search history.

(56) **References Cited**

U.S. PATENT DOCUMENTS

D375,076 S	*	10/1996	Cattaneo	.....	D12/211
D460,940 S	*	7/2002	Chung	.....	D12/209
D463,349 S	*	9/2002	Vian	.....	D12/209
D475,337 S	*	6/2003	Kataoka	.....	D12/209
D504,380 S	*	4/2005	Kushartanto	.....	D12/209
D546,265 S	*	7/2007	Young	.....	D12/211
D549,634 S	*	8/2007	Foose	.....	D12/211
D570,760 S	*	6/2008	Hieke	.....	D12/211
D576,537 S	*	9/2008	Chung	.....	D12/211
D578,459 S	*	10/2008	Hetrick	.....	D12/211

\* cited by examiner

*Primary Examiner*—Stacia Cadmus

(74) *Attorney, Agent, or Firm*—Garcia-Zamor IP Law; Ruy M. Garcia-Zamor

(57) **CLAIM**

The ornamental design for a wheel, as shown and described.

**DESCRIPTION**

FIG. 1 is a perspective view of a wheel according to a first preferred embodiment of my new design;

FIG. 2 is a front elevational view of the wheel of FIG. 1;

FIG. 3 is a left side elevational view of the wheel of FIG. 1, the right side elevational view of the wheel of FIG. 1 is a mirror image of FIG. 3;

FIG. 4 is a top plan view of the wheel of FIG. 1;

FIG. 5 is a bottom plan view of the wheel of FIG. 1;

FIG. 6 is a rear elevational view of the wheel of FIG. 1;

FIG. 7 is a perspective view of a wheel according to a second preferred embodiment of my new design;

FIG. 8 is a front elevational view of the wheel of FIG. 7;

FIG. 9 is a left side elevational view of the wheel of FIG. 7, the right side elevational view of the wheel of FIG. 7 is a mirror image of FIG. 9;

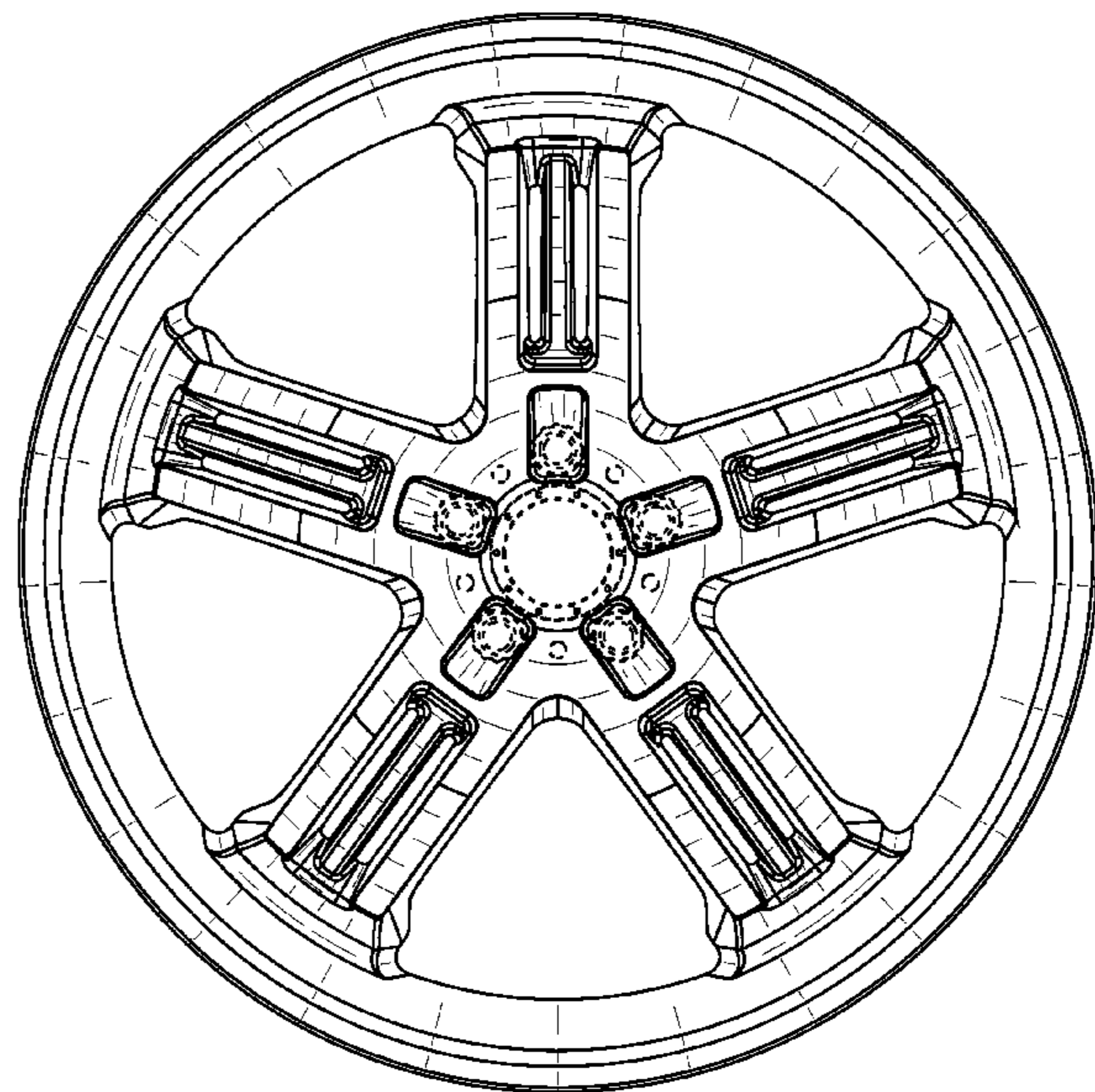
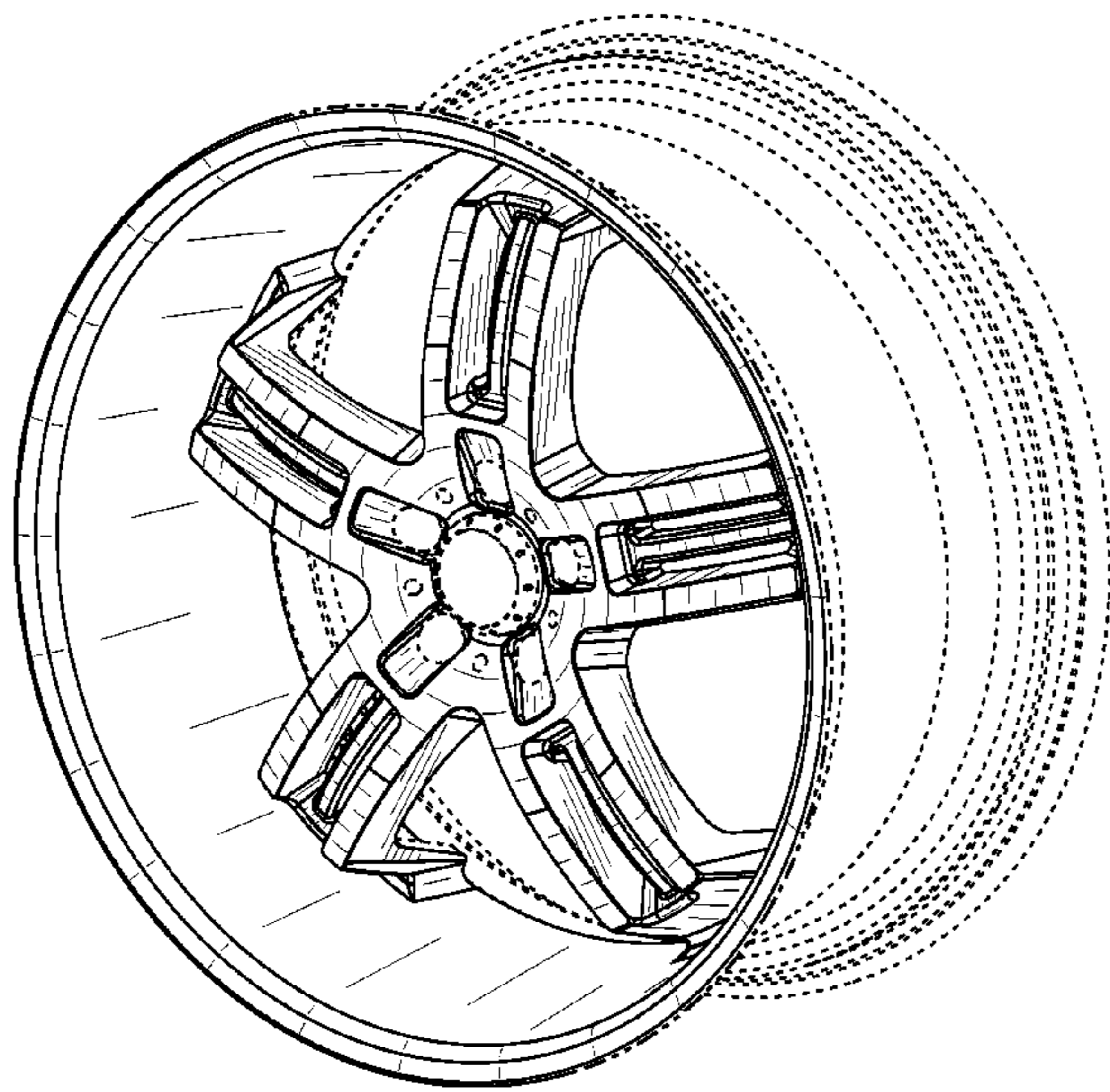
FIG. 10 is a top plan view of the wheel of FIG. 7;

FIG. 11 is a bottom plan view of the wheel of FIG. 7; and,

FIG. 12 is a rear elevational view of the wheel of FIG. 7.

The broken lines in FIGS. 1-12 represent environment and are for illustrative purposes only and do not constitute part of the claimed design.

**1 Claim, 10 Drawing Sheets**



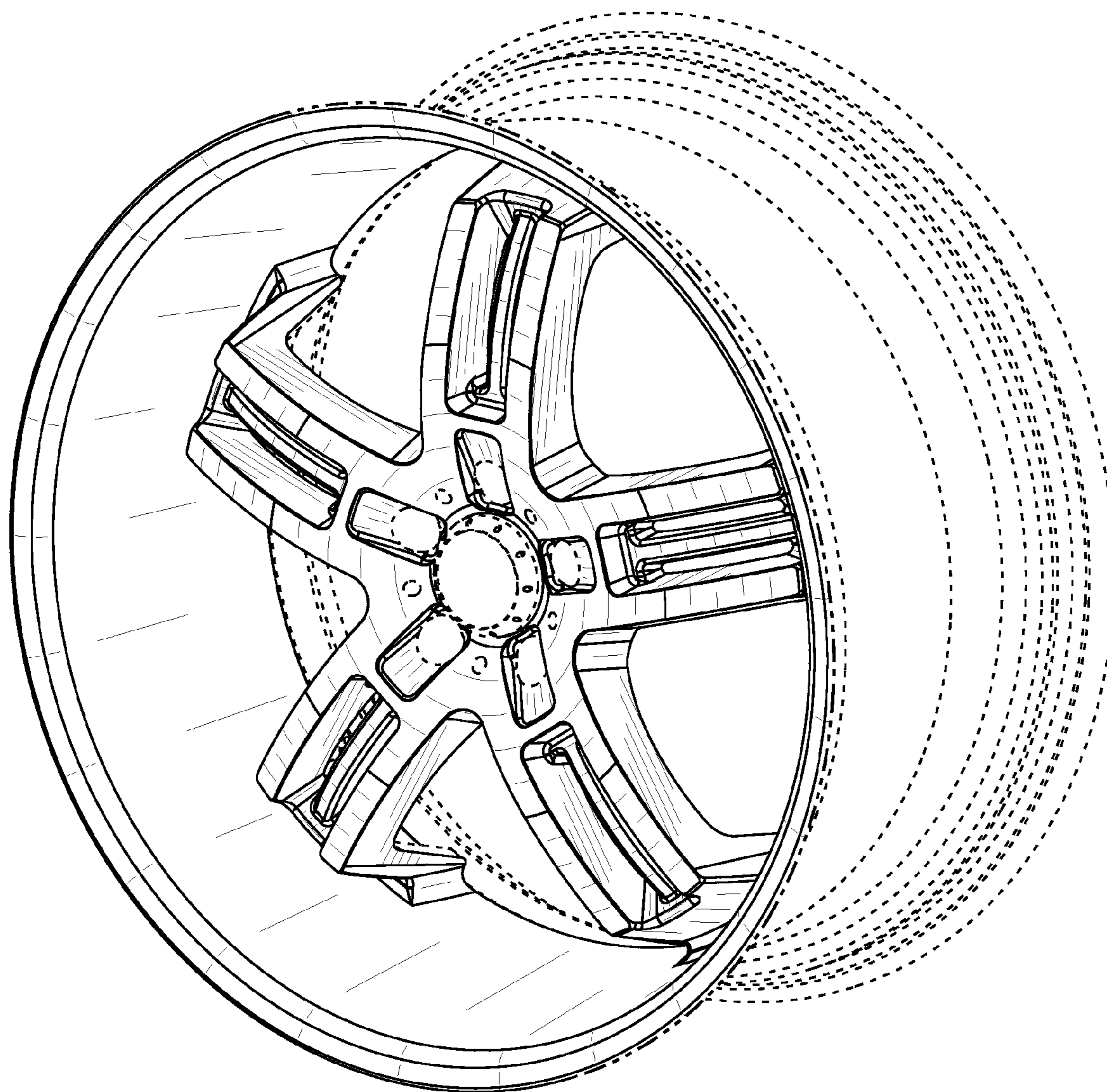


FIG. 1

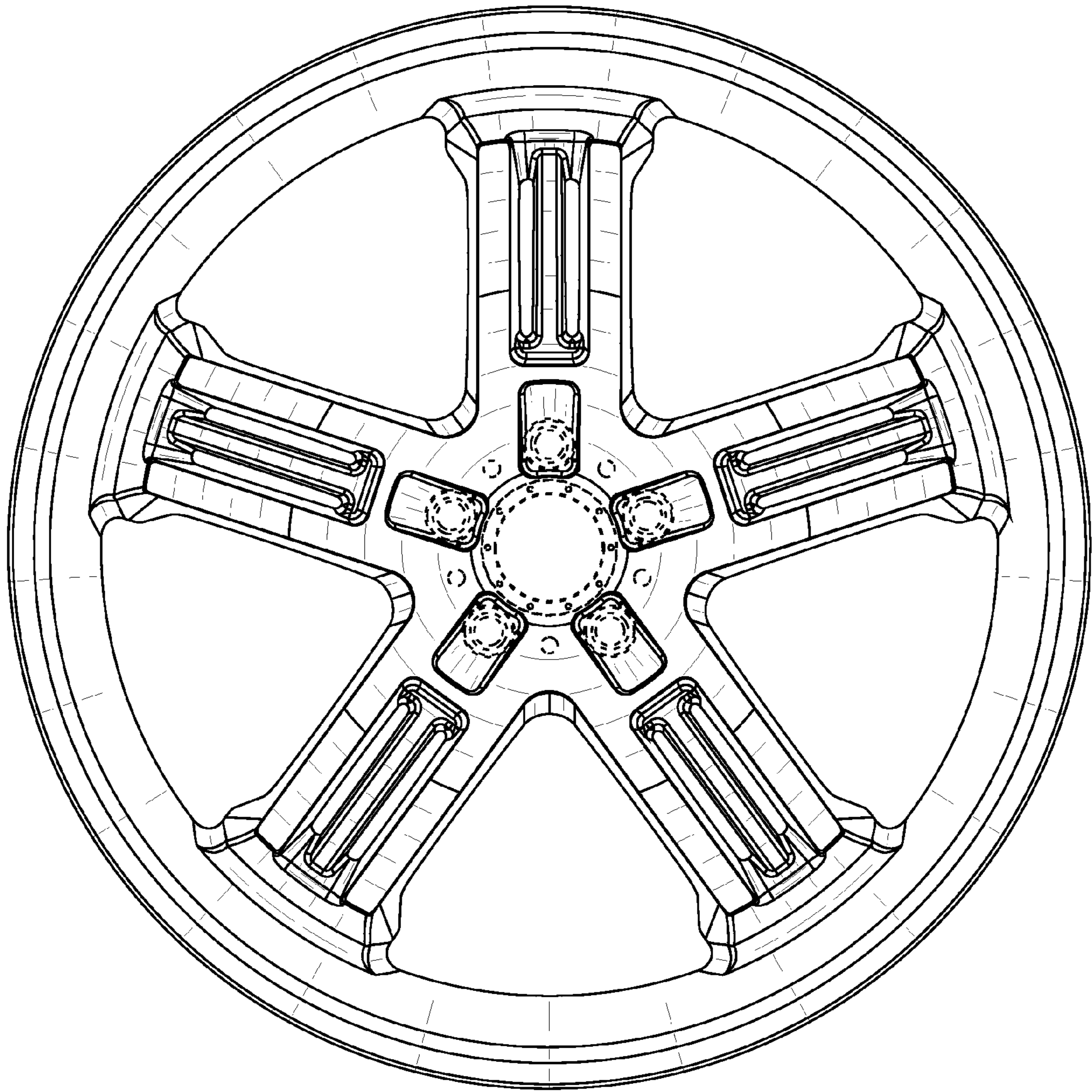
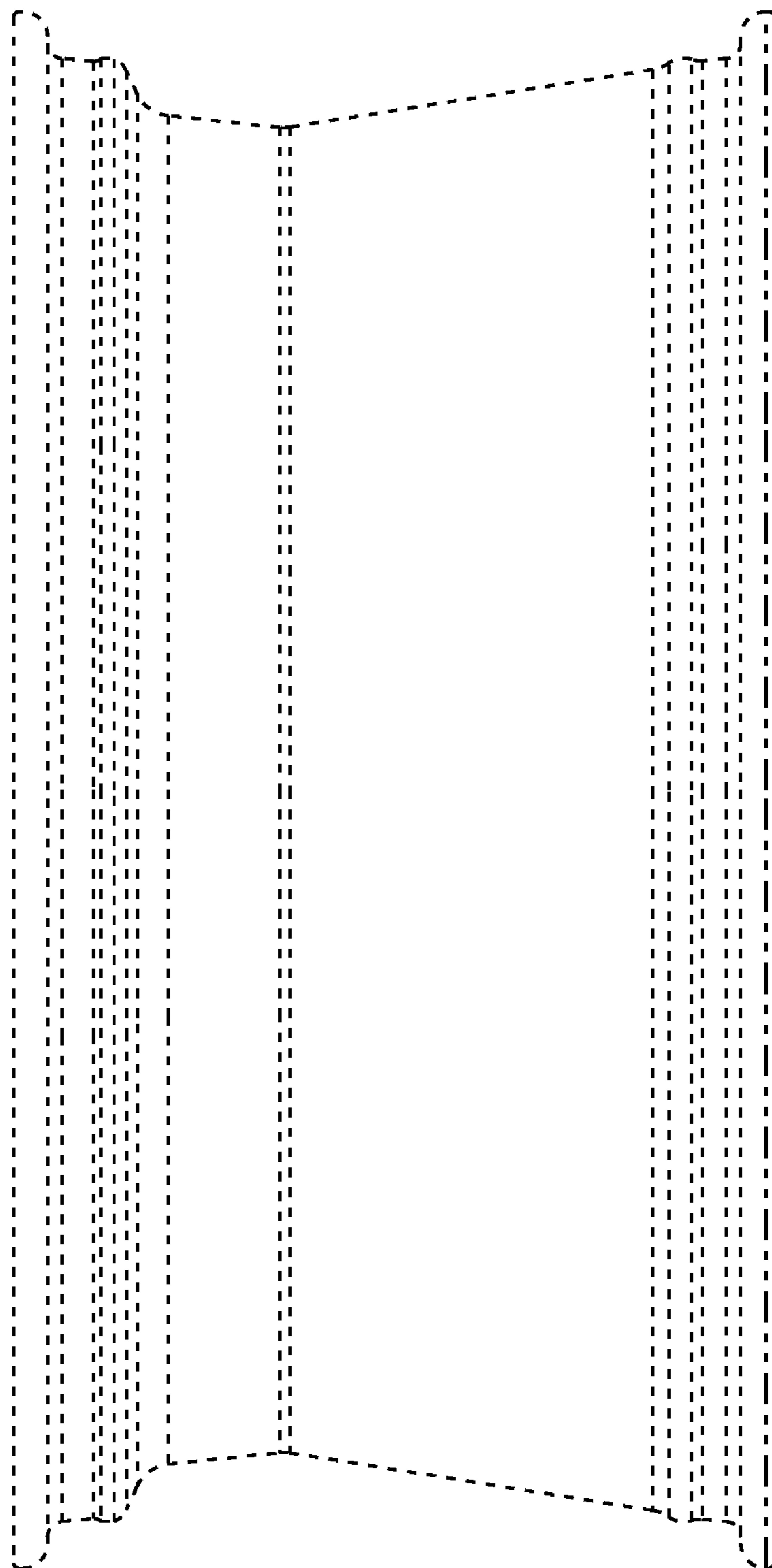
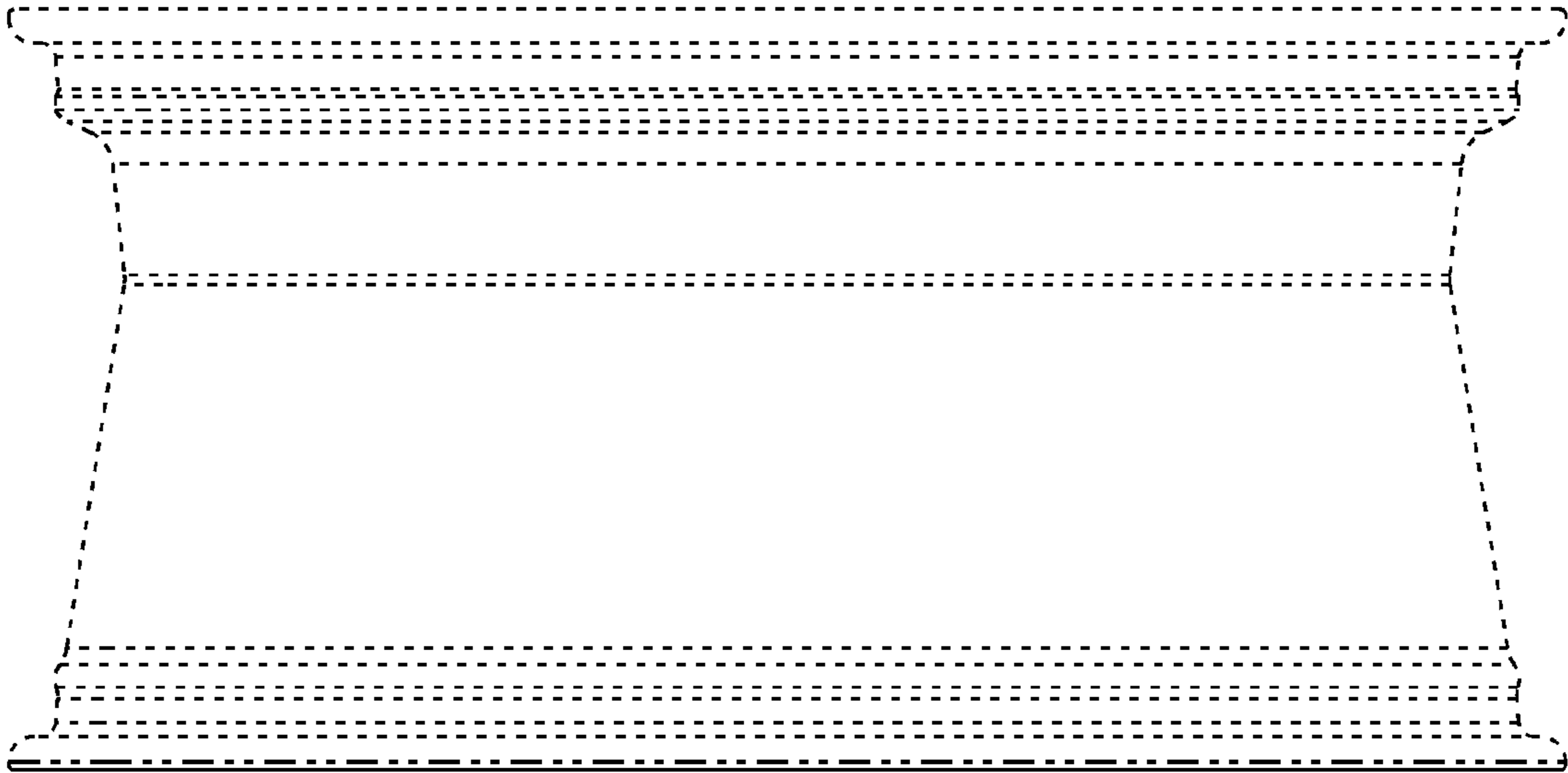


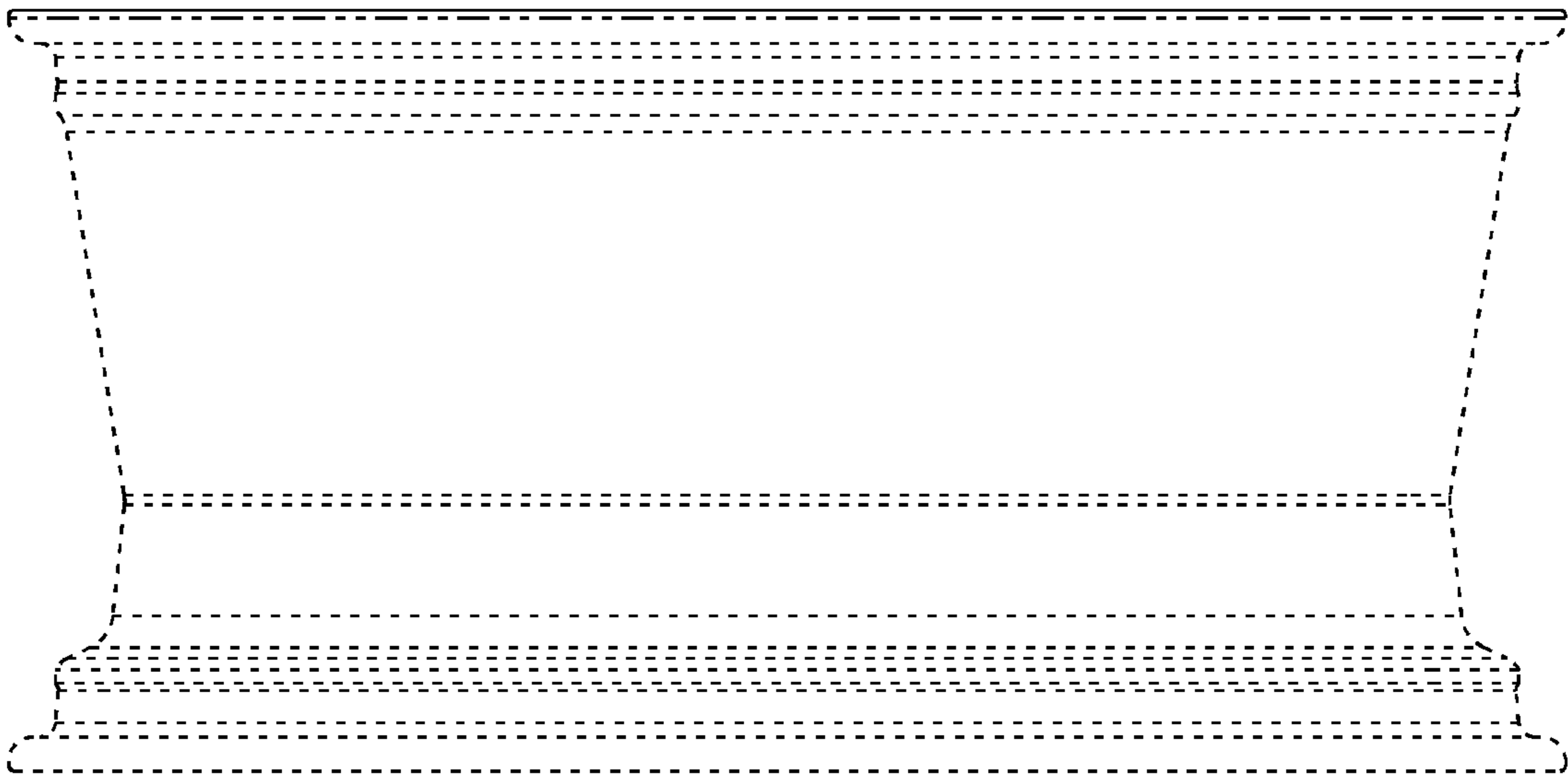
FIG. 2



**FIG. 3**



**FIG. 4**



**FIG. 5**

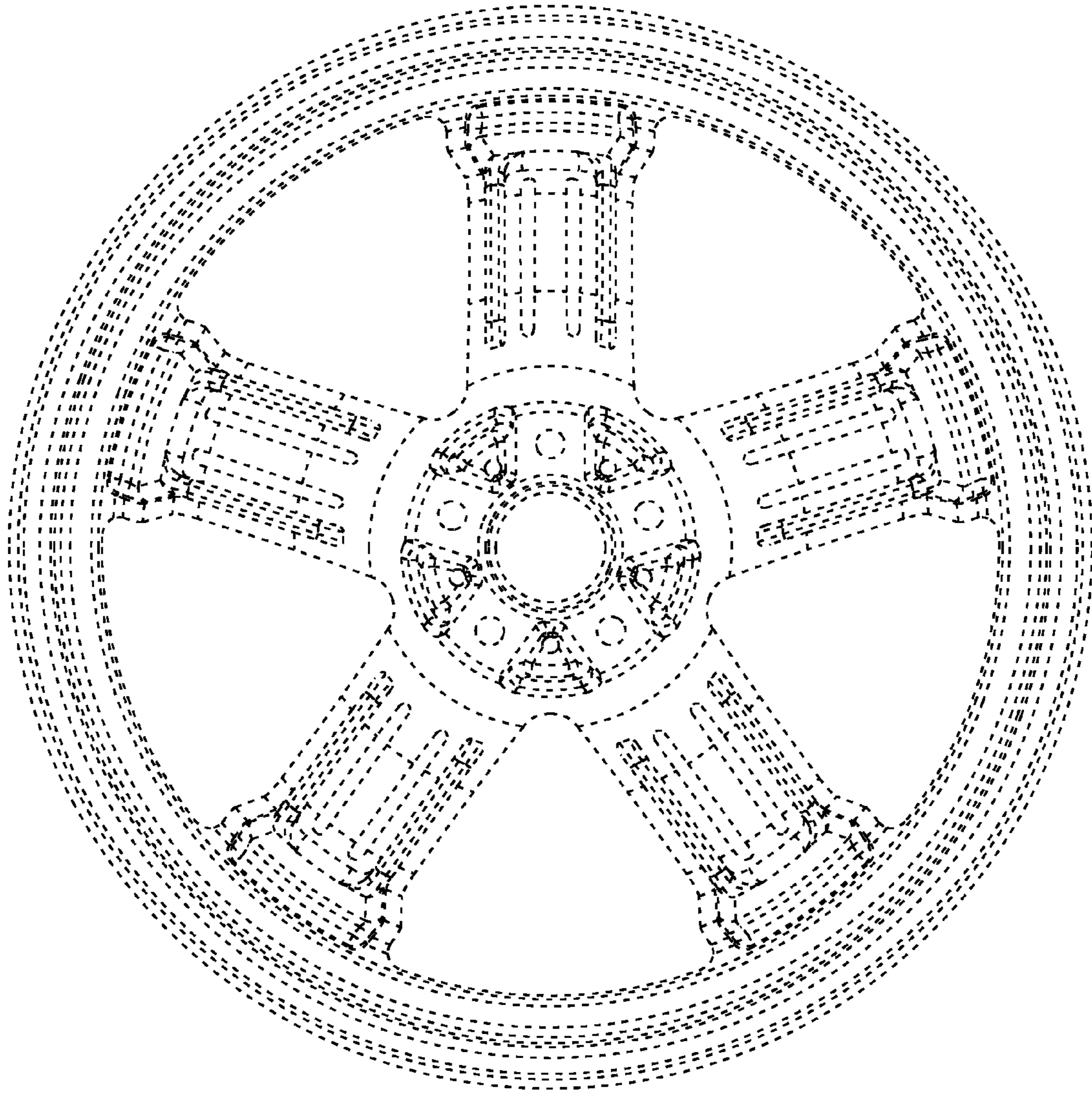


FIG. 6

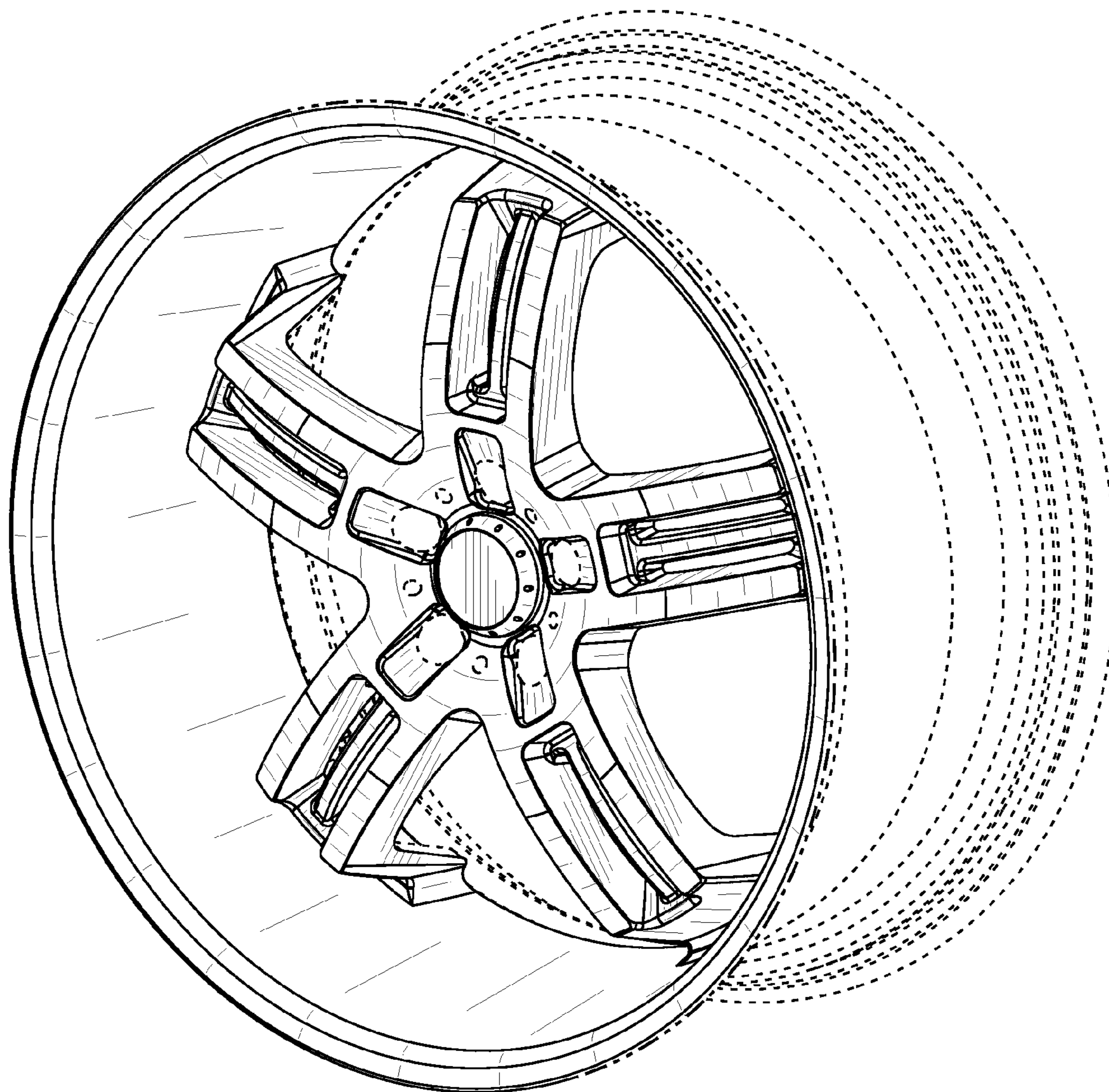


FIG. 7

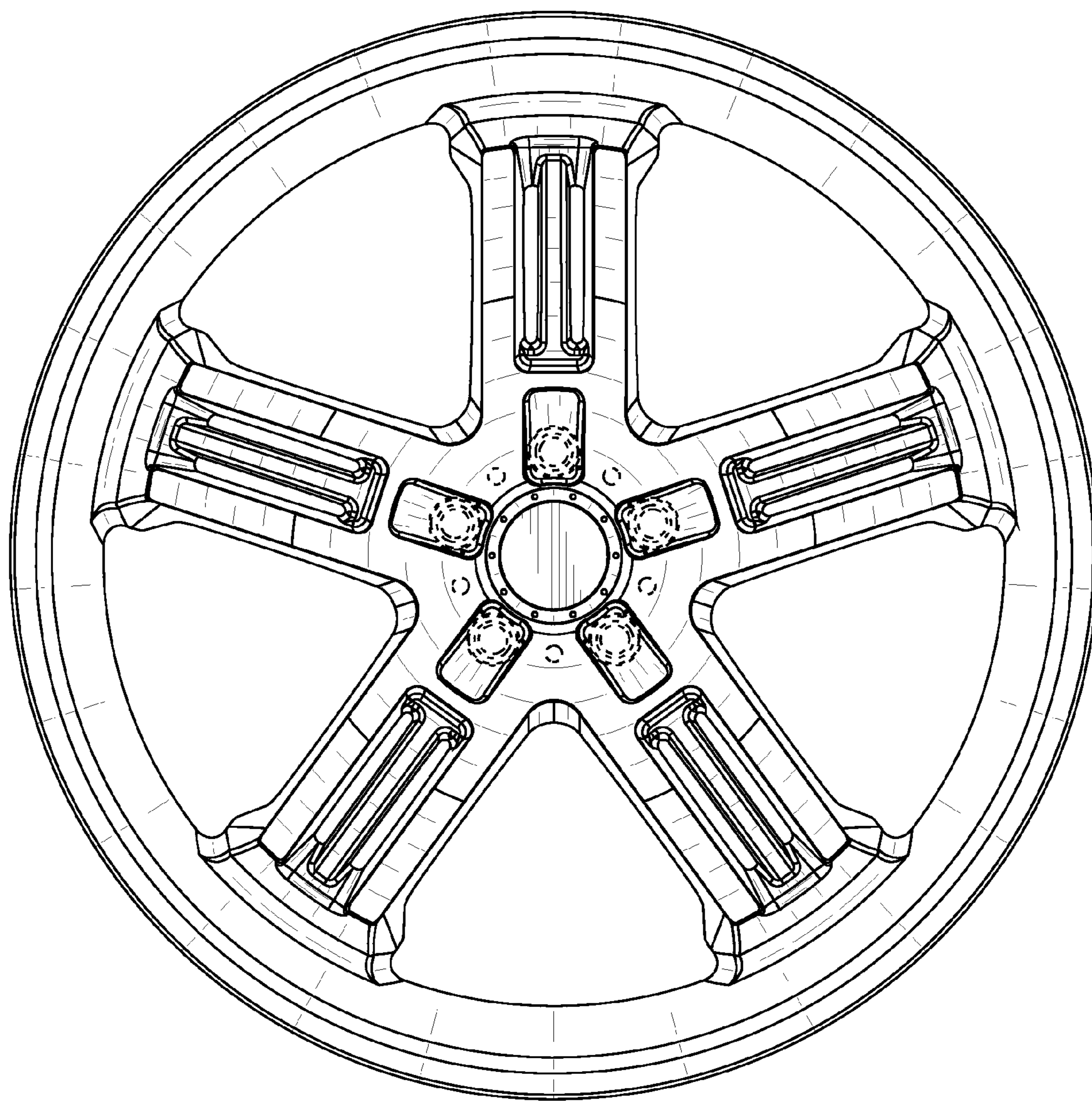
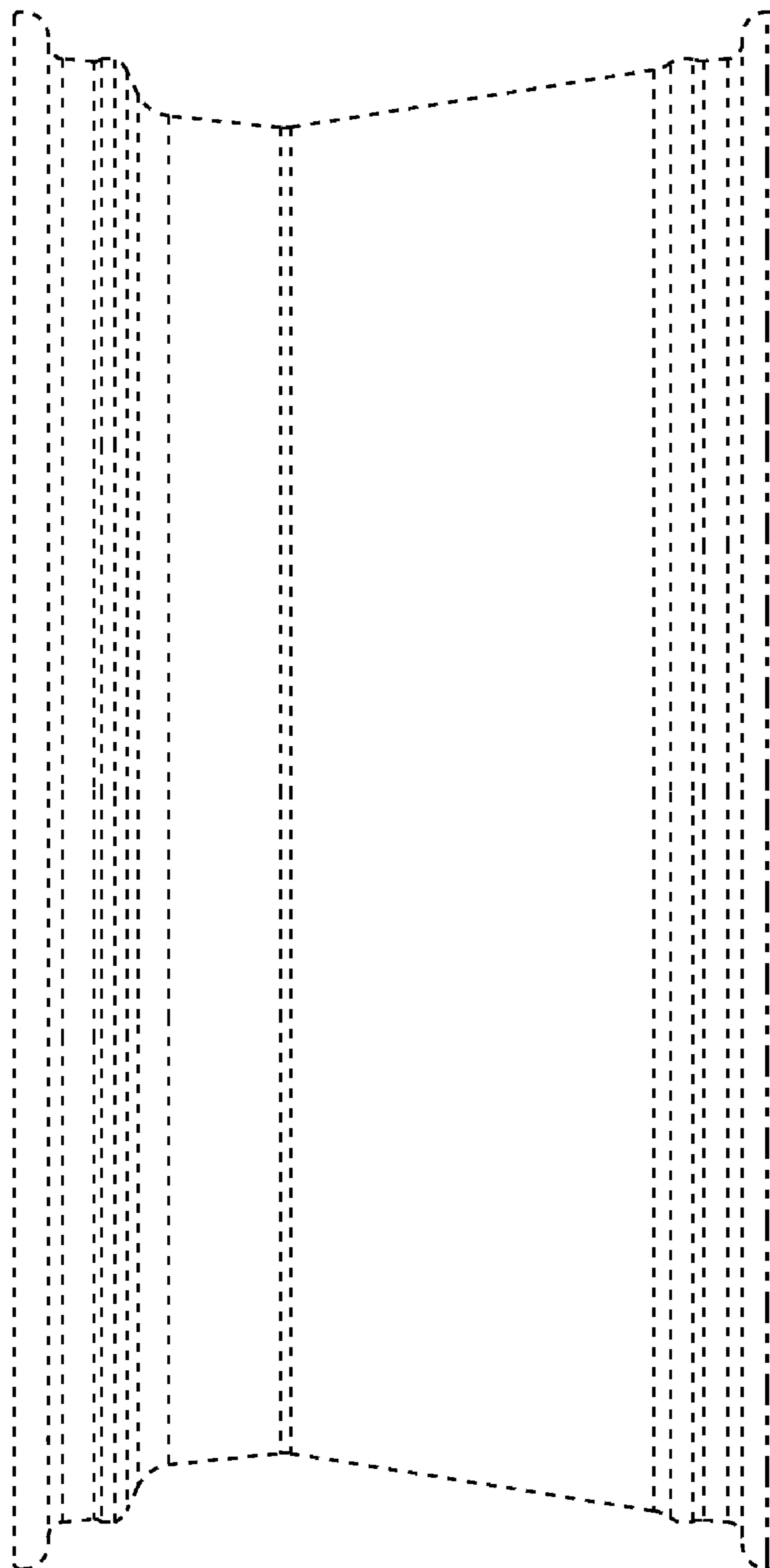
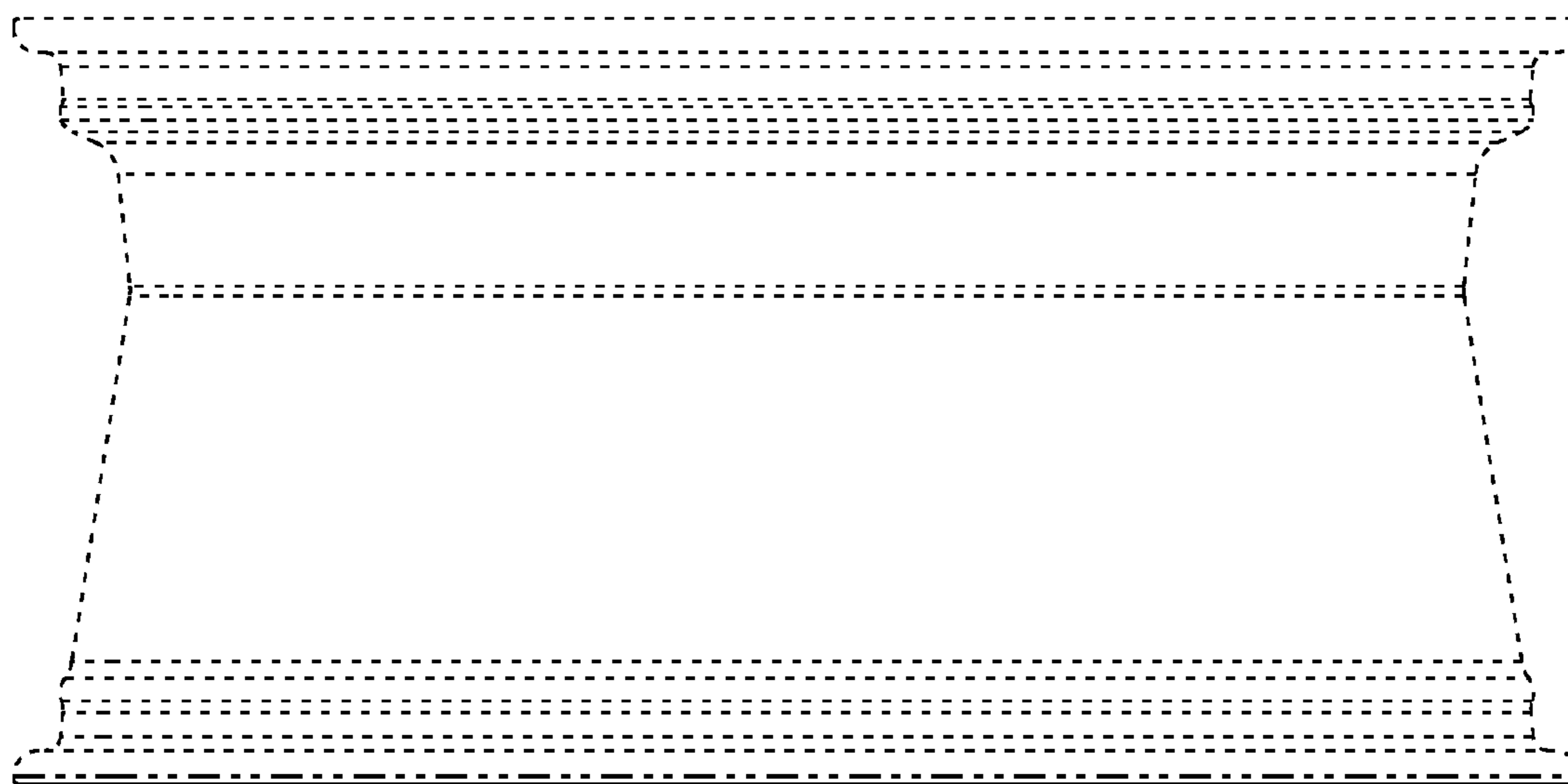


FIG. 8

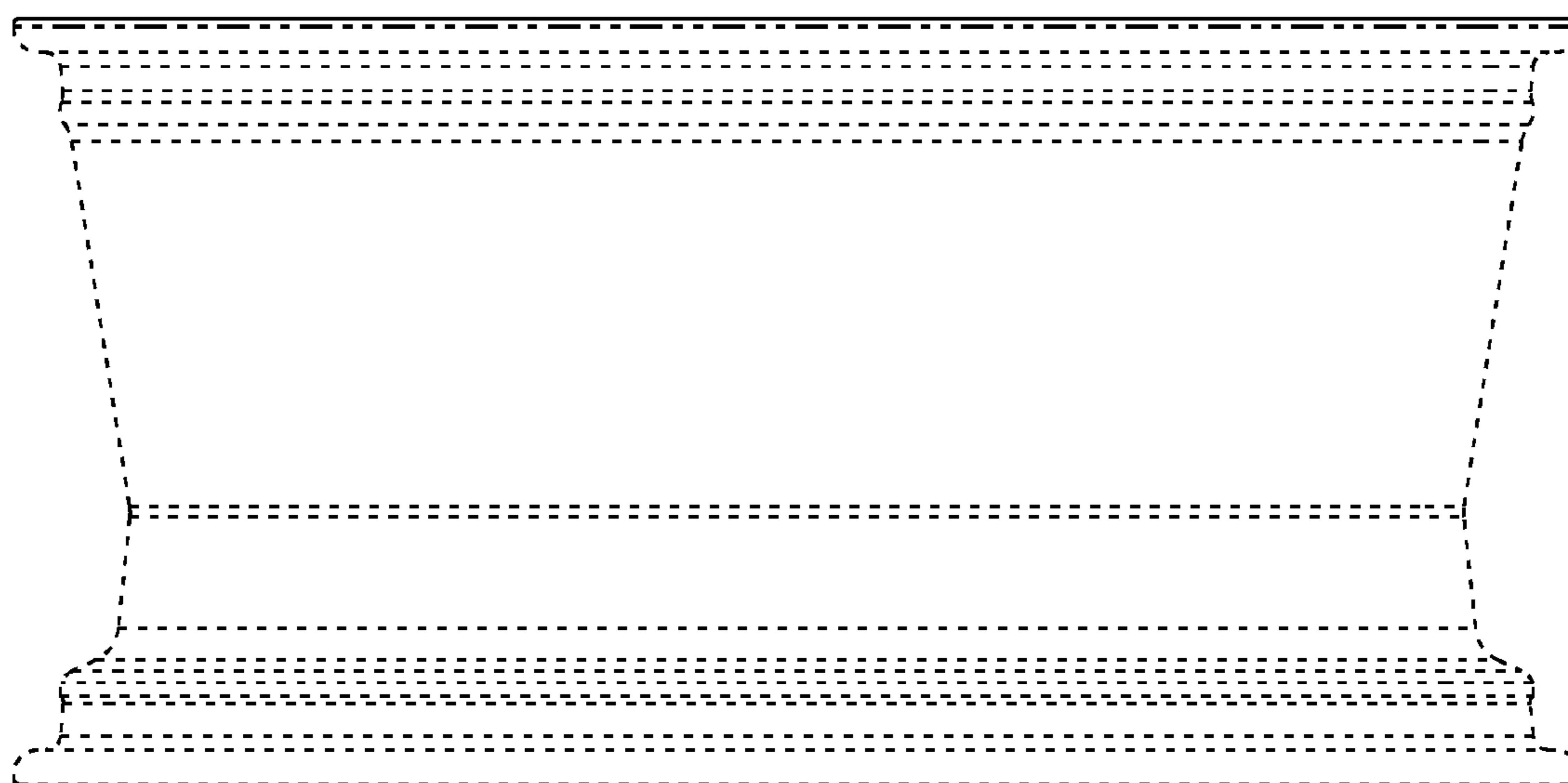




**FIG. 9**



**FIG. 10**



**FIG. 11**

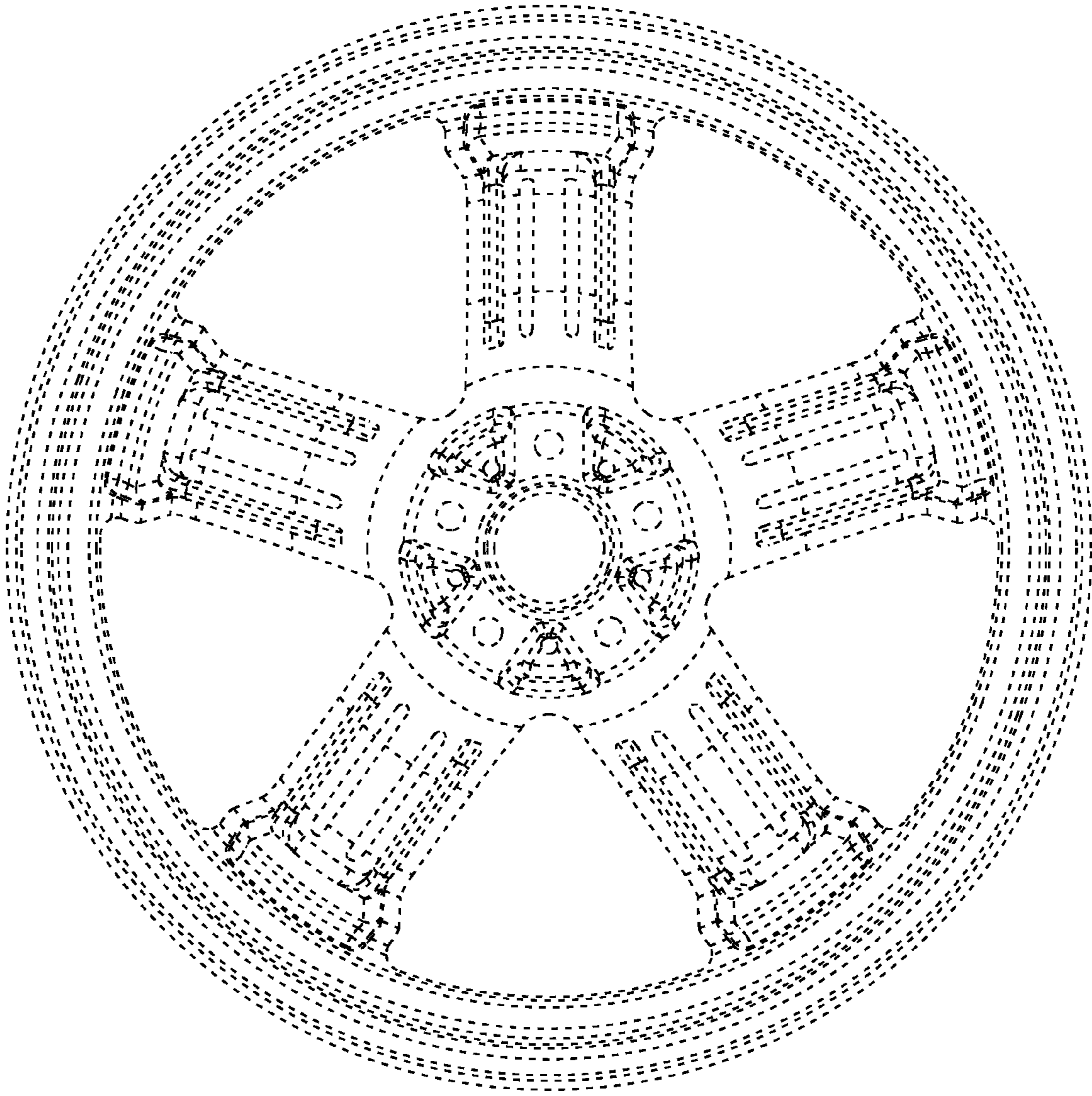


FIG. 12