



US00D620868S

(12) **United States Design Patent**
Gallert

(10) **Patent No.:** **US D620,868 S**

(45) **Date of Patent:** **** Aug. 3, 2010**

(54) **AUTOMOBILE WHEEL**

(75) **Inventor:** **Michael Gallert, Stuttgart (DE)**

(73) **Assignee:** **Dr. Ing. h.c. F. Porsche AG, Stuttgart (DE)**

(**) **Term:** **14 Years**

(21) **Appl. No.:** **29/341,476**

(22) **Filed:** **Aug. 6, 2009**

(30) **Foreign Application Priority Data**

Feb. 27, 2009 (DE) 40 2009 001 007

(51) **LOC (9) Cl.** **12-16**

(52) **U.S. Cl.** **D12/211**

(58) **Field of Classification Search** D12/204–213;
301/37.101, 64.101, 65, 64.201
See application file for complete search history.

(56) **References Cited**

U.S. PATENT DOCUMENTS

D407,057 S *	3/1999	Goplen	D12/211
D436,912 S *	1/2001	Boyer	D12/211
D453,133 S *	1/2002	Murkett et al.	D12/209
D466,459 S *	12/2002	Murkett et al.	D12/209
D486,110 S *	2/2004	Elmitt	D12/211
D486,113 S *	2/2004	Lecher et al.	D12/211

D500,470 S *	1/2005	Rice	D12/211
D505,903 S *	6/2005	Nordmann	D12/209
D507,225 S *	7/2005	Velazco	D12/211
D521,921 S *	5/2006	Hueller	D12/209
D527,325 S *	8/2006	Nagashima	D12/209
D541,204 S *	4/2007	Huet	D12/211
D560,152 S *	1/2008	Nordmann	D12/211
D586,281 S *	2/2009	Pfeiffer	D12/209
D586,282 S *	2/2009	Pfeiffer	D12/209
D589,423 S *	3/2009	Juergens et al.	D12/209
D589,426 S *	3/2009	Yoon	D12/211

* cited by examiner

Primary Examiner—Stacia Cadmus

(74) *Attorney, Agent, or Firm*—Laurence A Greenberg;
Werner H Stemer; Ralph E Locher

(57) **CLAIM**

The ornamental design for an automobile wheel, as shown and described.

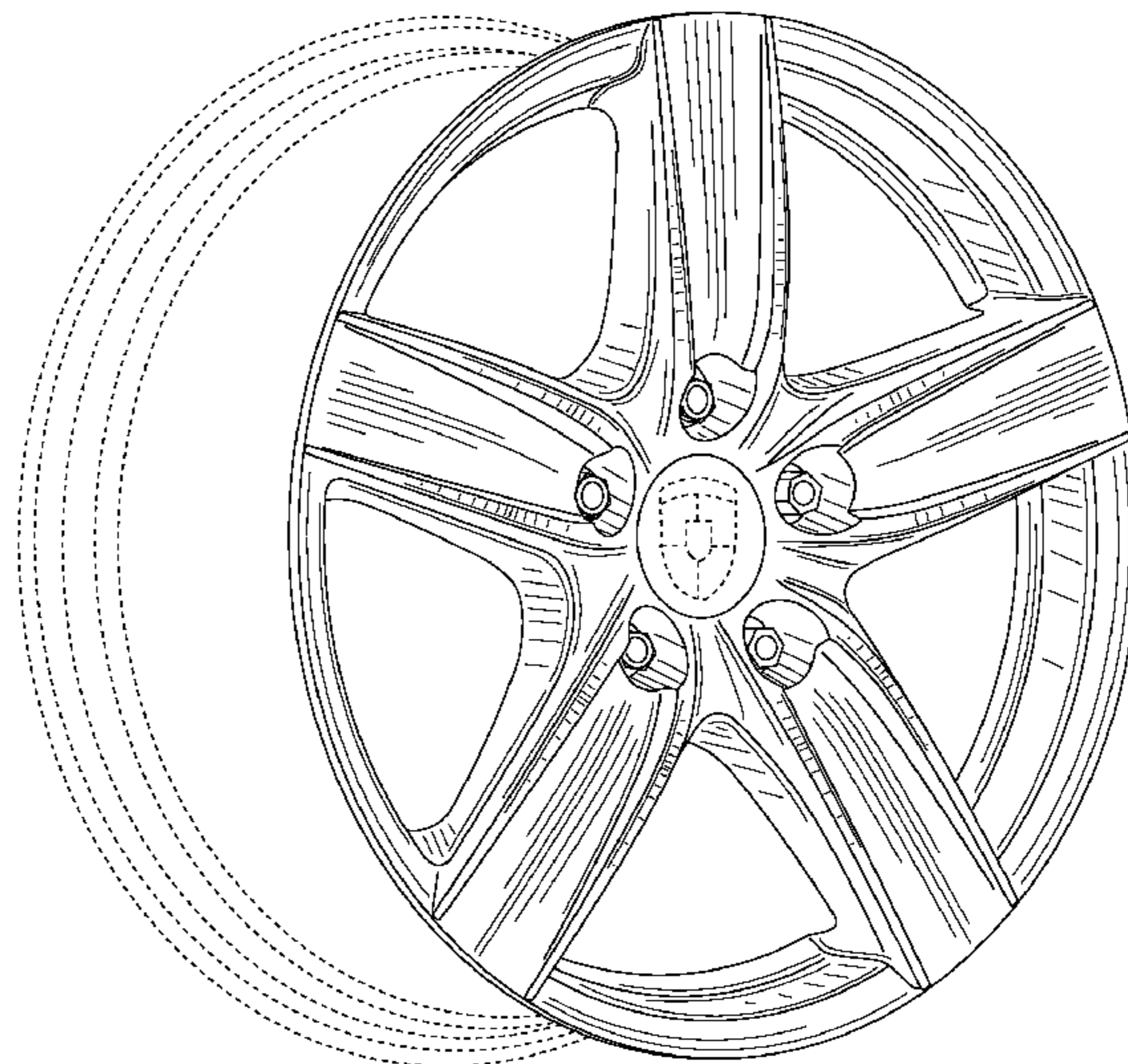
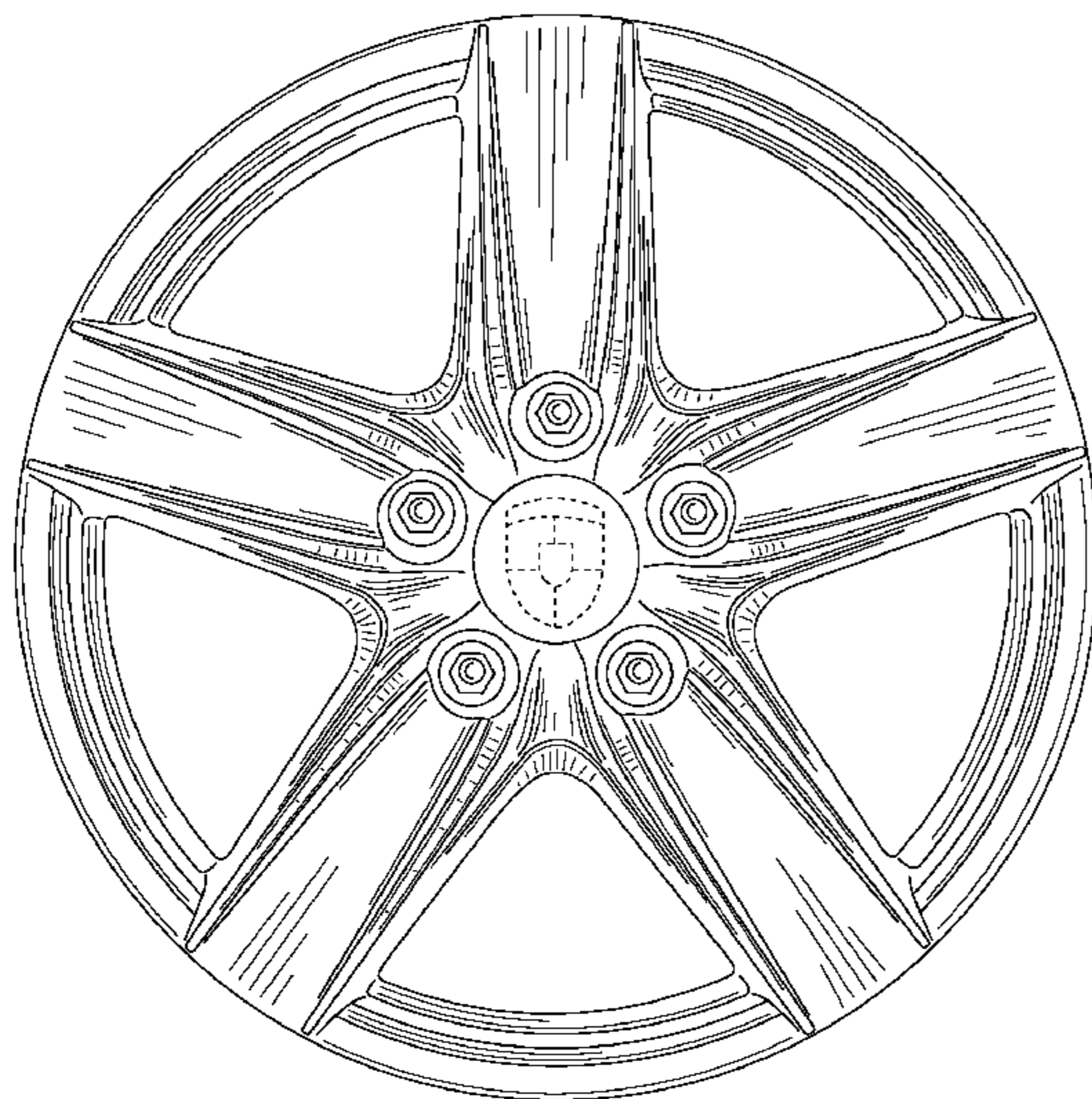
DESCRIPTION

FIG. 1 is a front elevational view of an automobile wheel, showing my new design; and,

FIG. 2 is a perspective view thereof.

In the drawings, the broken lines show environmental subject matter which forms no part of the claim.

1 Claim, 2 Drawing Sheets



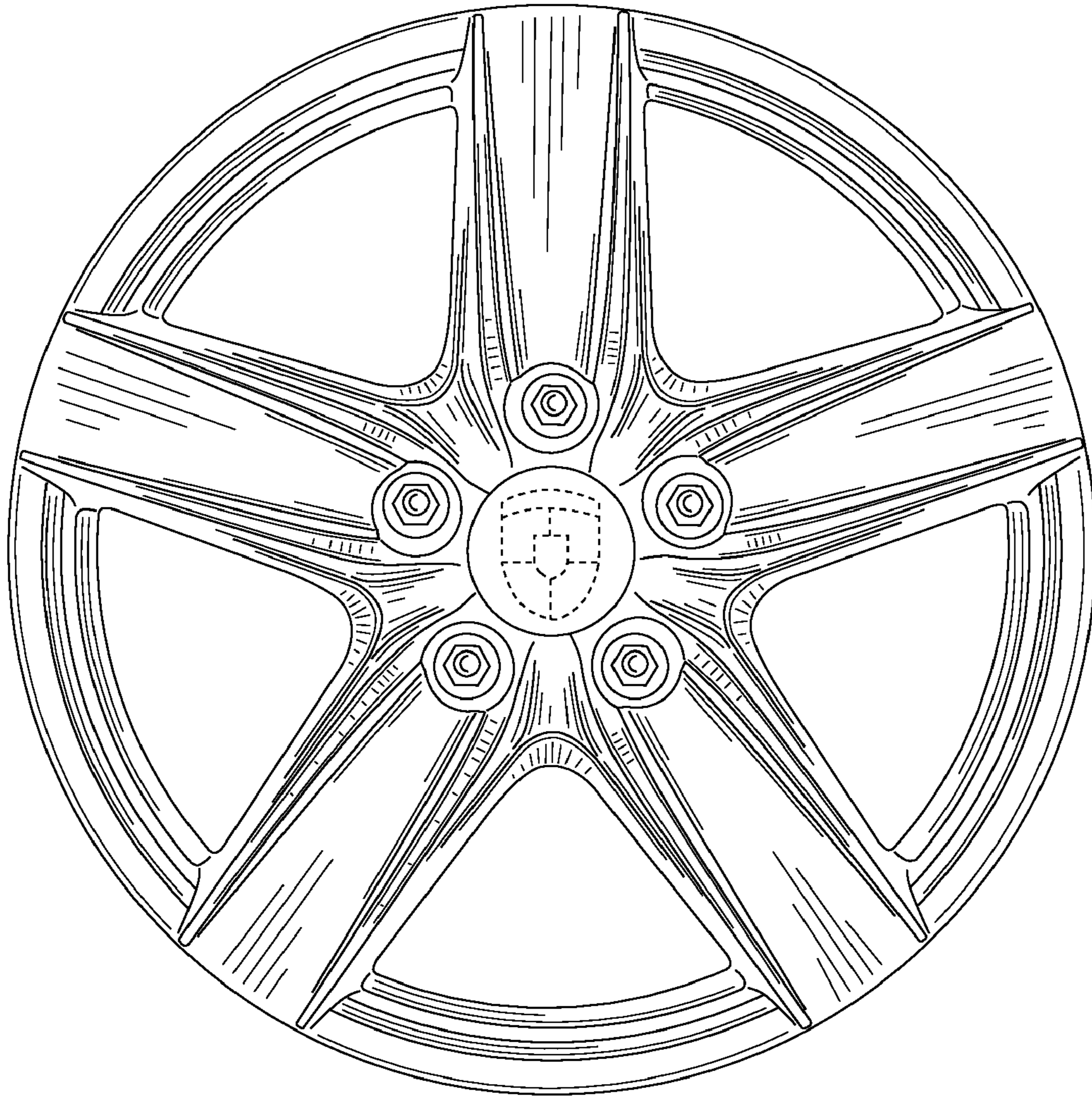


FIG. 1

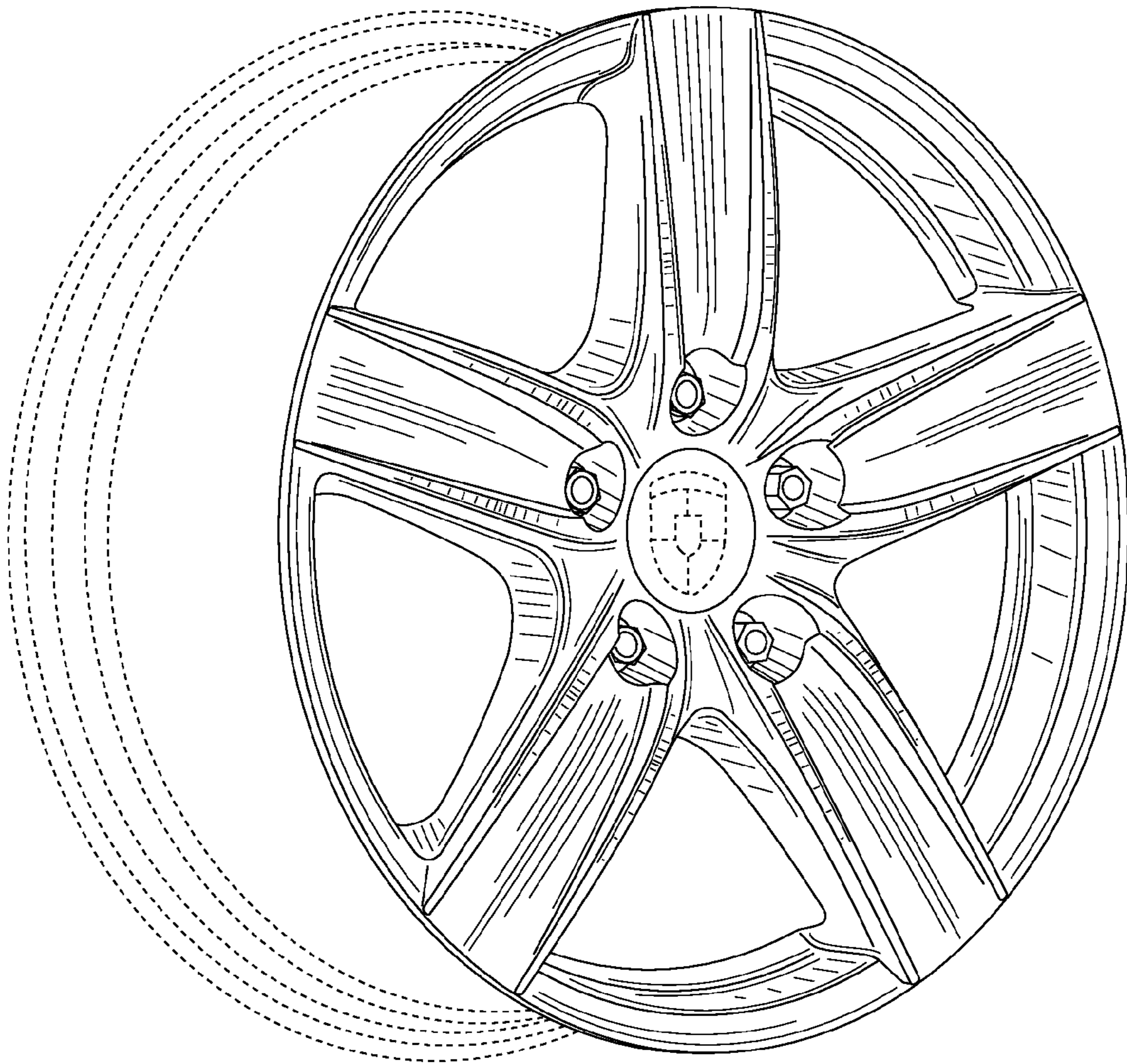


FIG. 2