



US00D620866S

(12) **United States Design Patent**
Blasi

(10) **Patent No.:** **US D620,866 S**
(45) **Date of Patent:** **** Aug. 3, 2010**

(54) **WHEEL OR WHEEL COVER**

(75) Inventor: **Juliane Blasi**, Munich (DE)

(73) Assignee: **Bayerische Motoren Werke Aktiengesellschaft**, Munich (DE)

(**) Term: **14 Years**

(21) Appl. No.: **29/351,127**

(22) Filed: **Dec. 1, 2009**

(30) **Foreign Application Priority Data**

Jun. 2, 2009 (DE) 402009002805

(51) **LOC (9) Cl.** **12-16**

(52) **U.S. Cl.** **D12/209**

(58) **Field of Classification Search** D12/204–213;
301/37.101, 64.101, 65, 64.201
See application file for complete search history.

(56) **References Cited**

U.S. PATENT DOCUMENTS

- D351,582 S * 10/1994 Echazabel et al. D12/209
- D371,100 S * 6/1996 Hatter D12/209
- D409,546 S * 5/1999 Stark D12/209
- D436,912 S 1/2001 Boyer
- D446,761 S * 8/2001 Kulla D12/209
- D451,062 S * 11/2001 Yoshida D12/209
- D451,063 S * 11/2001 Yoshida D12/209
- D451,065 S * 11/2001 Braun D12/211
- D453,131 S 1/2002 Gabath
- D455,693 S * 4/2002 Sato et al. D12/209
- D458,886 S * 6/2002 Bhambra D12/209
- D461,153 S * 8/2002 Koyama D12/209
- D472,509 S * 4/2003 Laengerer D12/209
- D480,673 S * 10/2003 Bhambra et al. D12/209
- D491,866 S 6/2004 Warming
- D497,339 S * 10/2004 Heinrich D12/209

- D499,058 S * 11/2004 Iwauchi et al. D12/209
- D502,909 S * 3/2005 Pfeiffer D12/211
- D504,096 S * 4/2005 Nakagawa et al. D12/209
- D514,494 S * 2/2006 Scheu D12/209
- D573,932 S * 7/2008 Laengerer D12/209
- D575,715 S 8/2008 Nissl
- D584,208 S 1/2009 Markefka
- D595,201 S * 6/2009 Antoniadis et al. D12/211
- D605,573 S * 12/2009 Chan D12/209
- D608,712 S 1/2010 Pollmann
- D611,396 S * 3/2010 Antoniadis et al. D12/211

FOREIGN PATENT DOCUMENTS

- DE M9805818.5 2/1999
- DE 49811299.3 8/1999
- DE 40202745.0 7/2002
- EM 000010442-0005 7/2003
- EM 000577945-0004 9/2006
- EM 000976881-0003 10/2008
- EM 000825609-0005 11/2009

* cited by examiner

Primary Examiner—Stacia Cadmus

(74) *Attorney, Agent, or Firm*—Crowell & Moring LLP

(57) **CLAIM**

The ornamental design for a wheel or wheel cover, as shown and described.

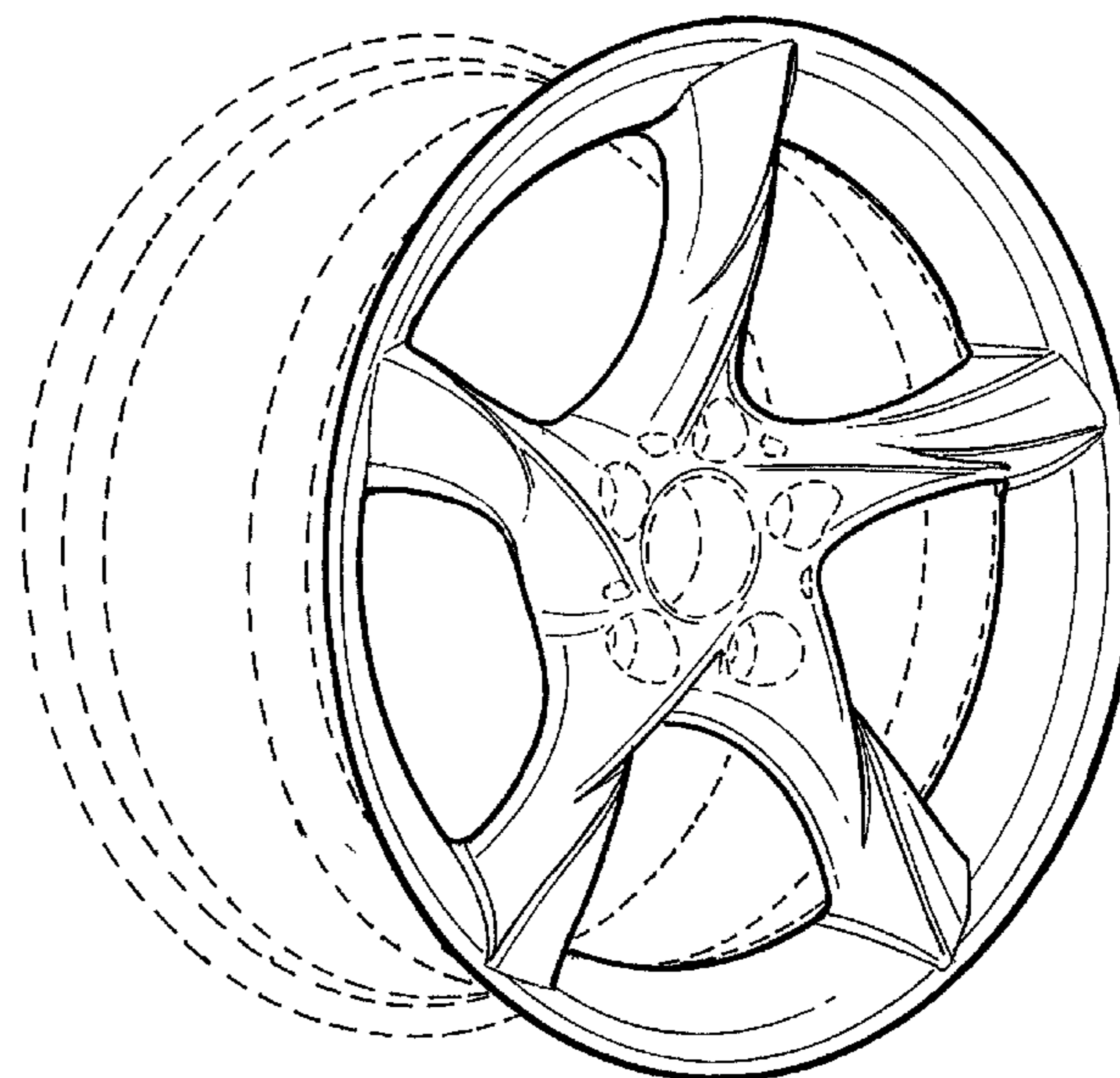
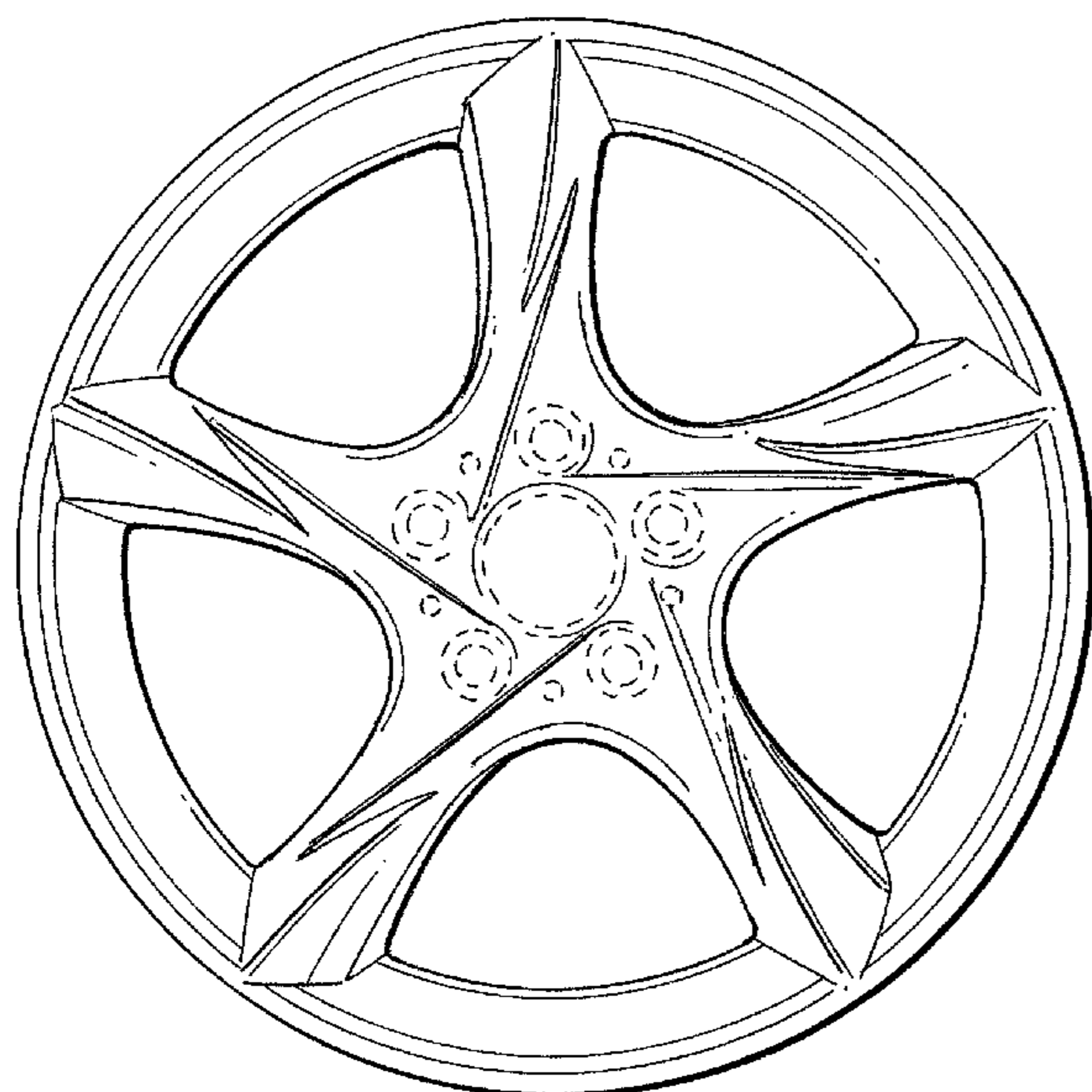
DESCRIPTION

FIG. 1 is a front view of a wheel or wheel cover according to my design; and,

FIG. 2 is a perspective view thereof.

The broken line showing of the rear of the rim and the bolt holes and center hole in the central hub area is included for the purpose of illustrating environment and forms no part of the claimed design.

1 Claim, 1 Drawing Sheet



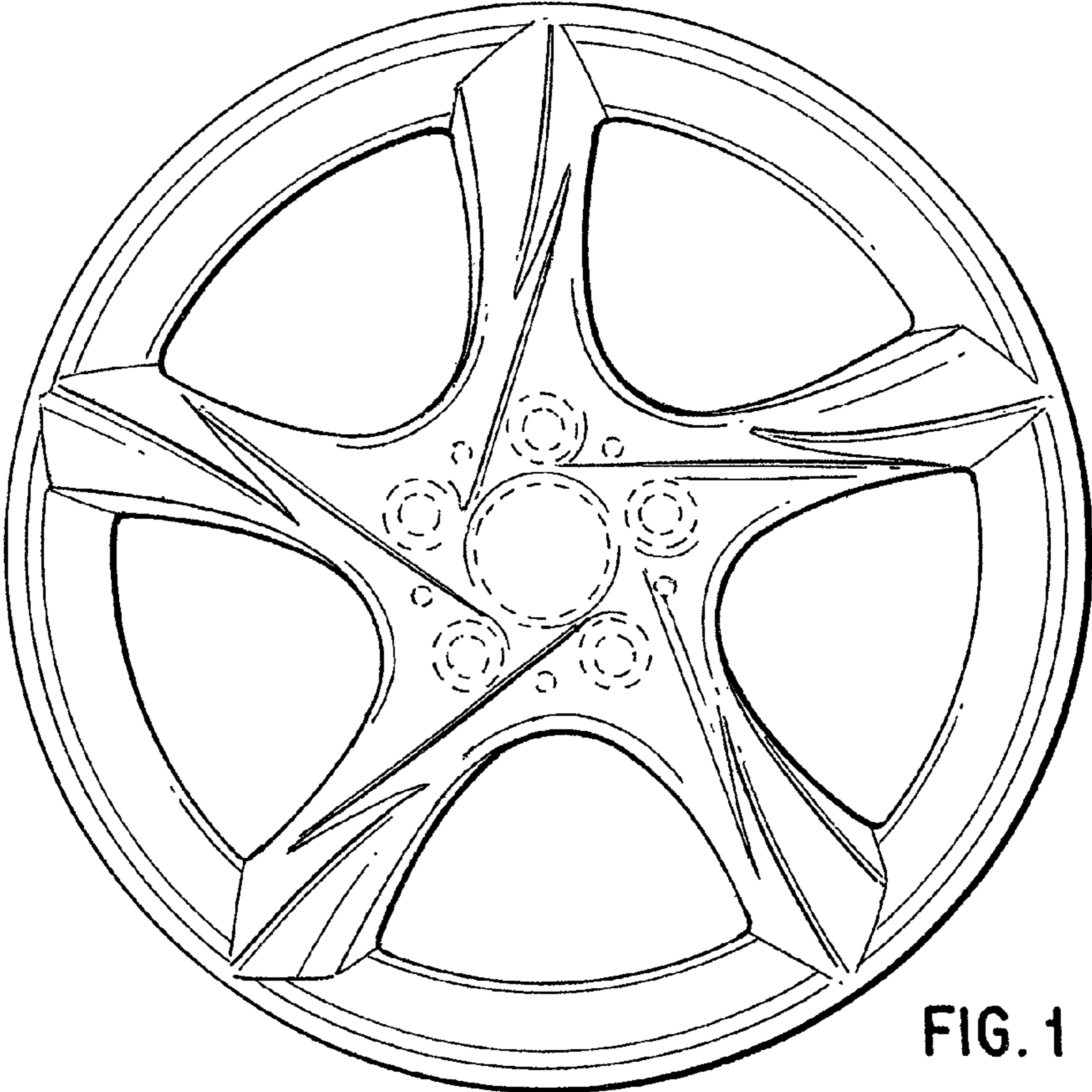


FIG. 1

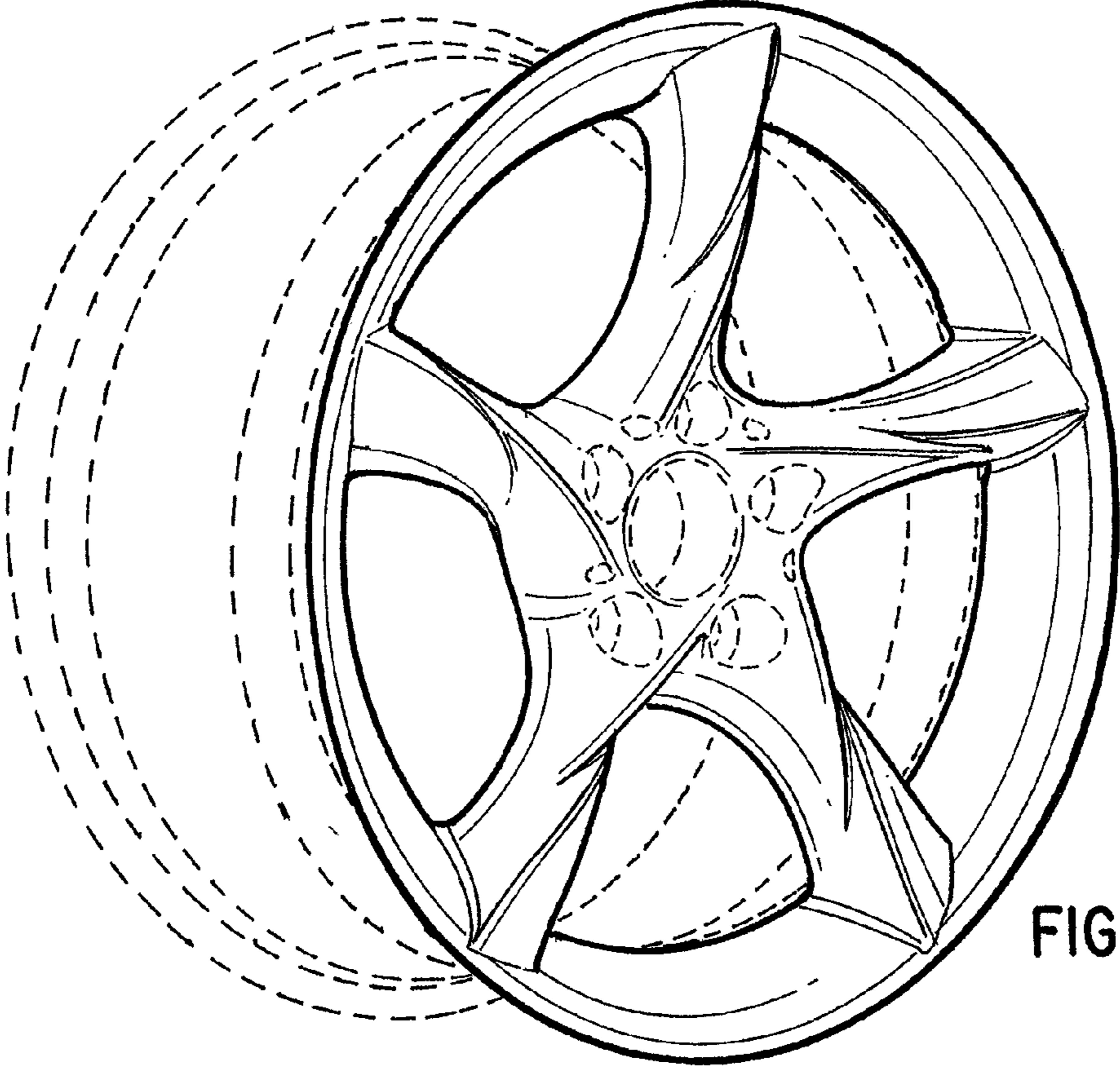


FIG. 2