



US00D620863S

(12) **United States Design Patent**  
**Groom**

(10) **Patent No.:** **US D620,863 S**

(45) **Date of Patent:** **\*\* Aug. 3, 2010**

(54) **WHEEL**

(75) Inventor: **Colbey Groom**, Murrieta, CA (US)

(73) Assignee: **Wheel Pros, LLC**, Lakewood, CO (US)

(\*\*) Term: **14 Years**

(21) Appl. No.: **29/346,580**

(22) Filed: **Nov. 3, 2009**

(51) **LOC (9) Cl.** ..... **12-16**

(52) **U.S. Cl.** ..... **D12/209**

(58) **Field of Classification Search** ..... D12/204-213;  
301/37.101, 64.101, 65, 64.201

See application file for complete search history.

(56) **References Cited**

**U.S. PATENT DOCUMENTS**

D488,116 S *	4/2004	Chung	.....	D12/209
D516,984 S *	3/2006	Hernandez	.....	D12/209
D526,266 S *	8/2006	Kim	.....	D12/209
D534,852 S *	1/2007	Kim	.....	D12/209
D539,720 S *	4/2007	Looho	.....	D12/209
D553,063 S *	10/2007	Pugh	.....	D12/209
D576,535 S *	9/2008	Chung	.....	D12/209
D576,936 S *	9/2008	Imai	.....	D12/209
D579,845 S *	11/2008	Chung	.....	D12/209
D584,673 S *	1/2009	Chung	.....	D12/209

D593,018 S *	5/2009	Juergens et al.	.....	D12/209
D597,462 S *	8/2009	Chung	.....	D12/209

\* cited by examiner

*Primary Examiner*—Stacia Cadmus

(74) *Attorney, Agent, or Firm*—Garcia-Zamor IP Law; Ruy M. Garcia-Zamor

(57) **CLAIM**

The ornamental design for a wheel, as shown and described.

**DESCRIPTION**

FIG. 1 is a perspective view of a wheel according to a first preferred embodiment of my new design;

FIG. 2 is a front elevational view of the wheel of FIG. 1;

FIG. 3 is a left side elevational view of the wheel of FIG. 1, the right side elevational view of the wheel of FIG. 1 is a mirror image of FIG. 3;

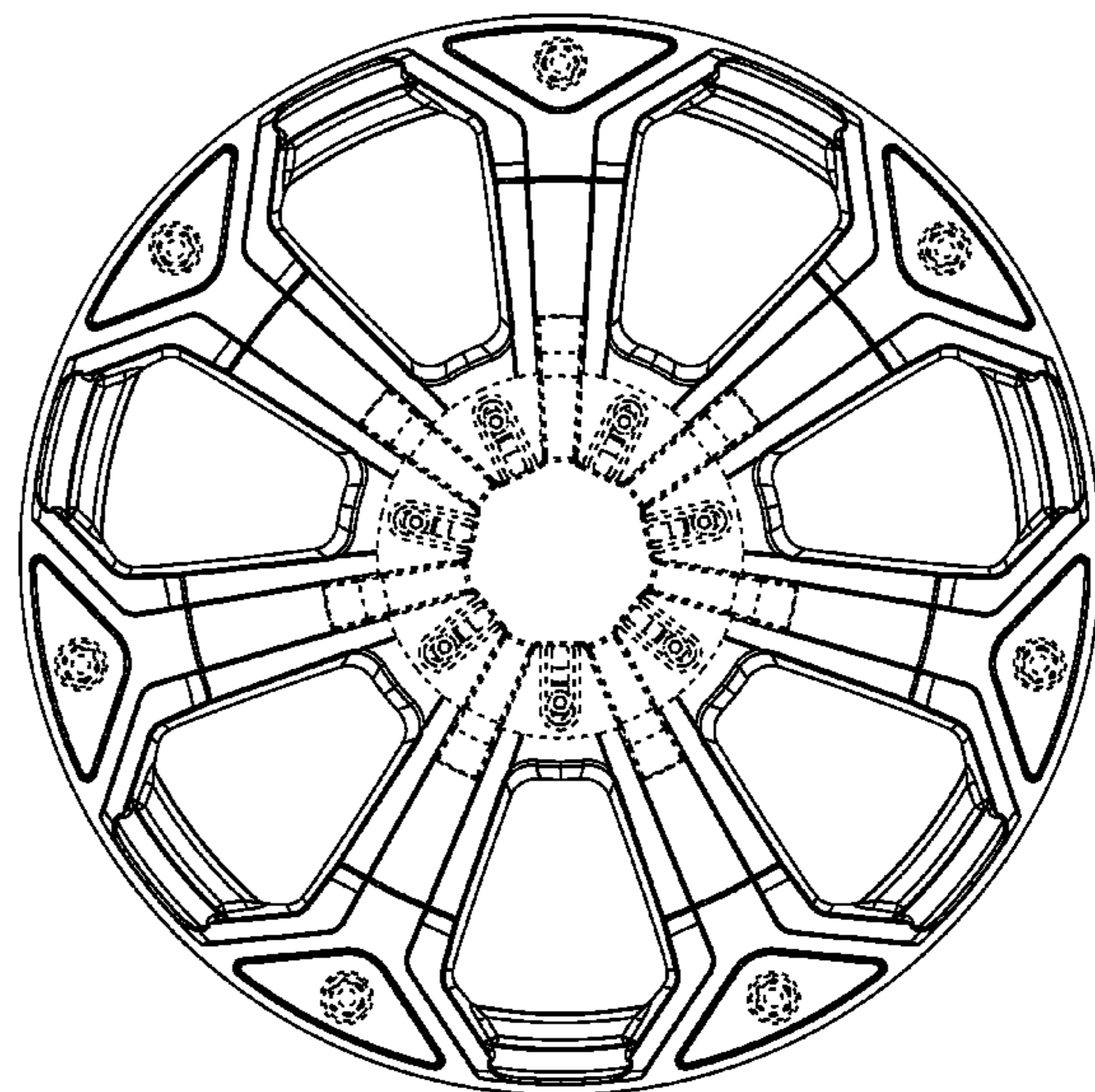
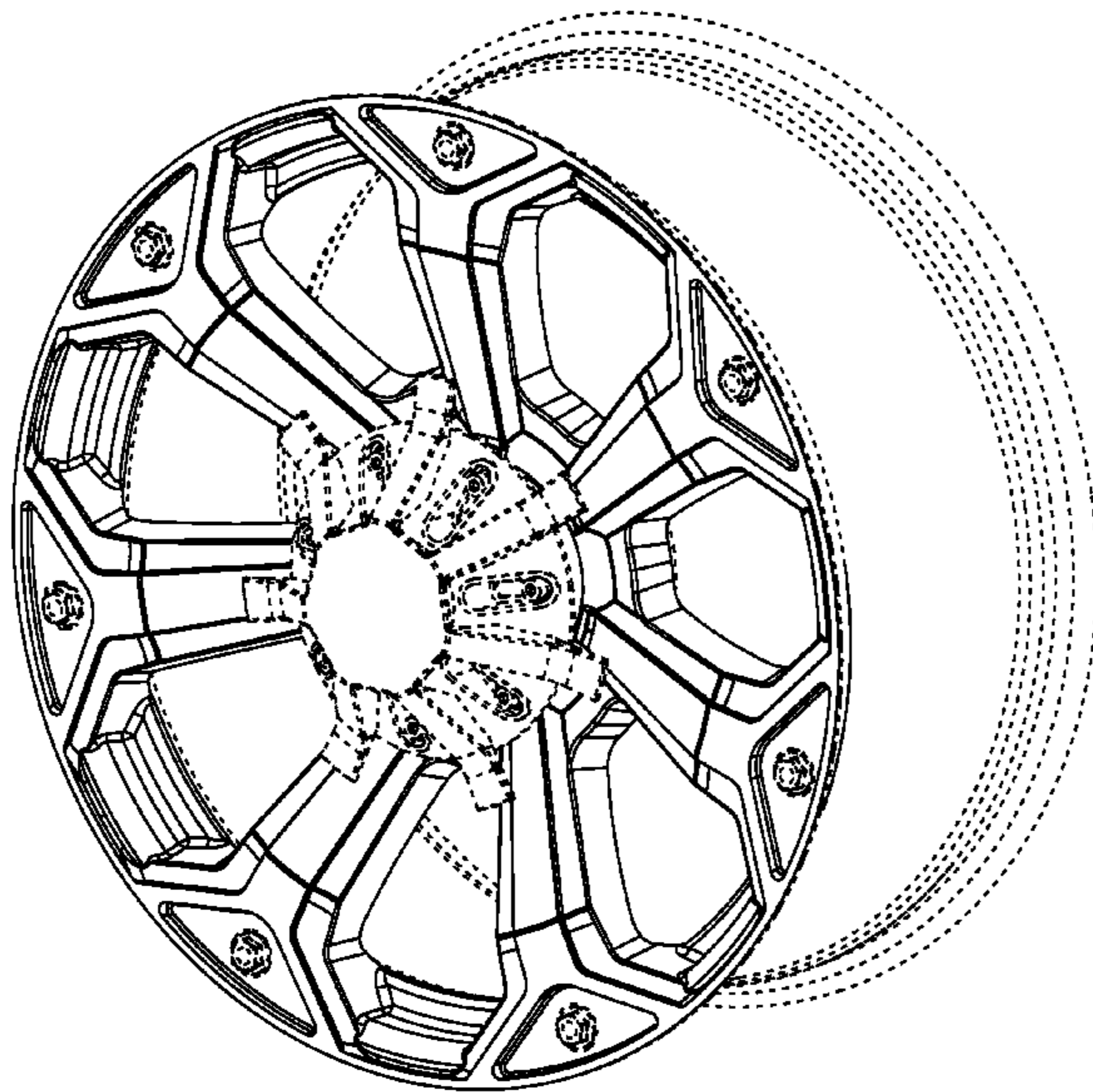
FIG. 4 is a top plan view of the wheel of FIG. 1;

FIG. 5 is a bottom plan view of the wheel of FIG. 1; and,

FIG. 6 is a rear elevational view of the wheel of FIG. 1.

The broken lines in FIGS. 1-6 represent environment and are for illustrative purposes only and do not constitute part of the claimed design.

**1 Claim, 5 Drawing Sheets**



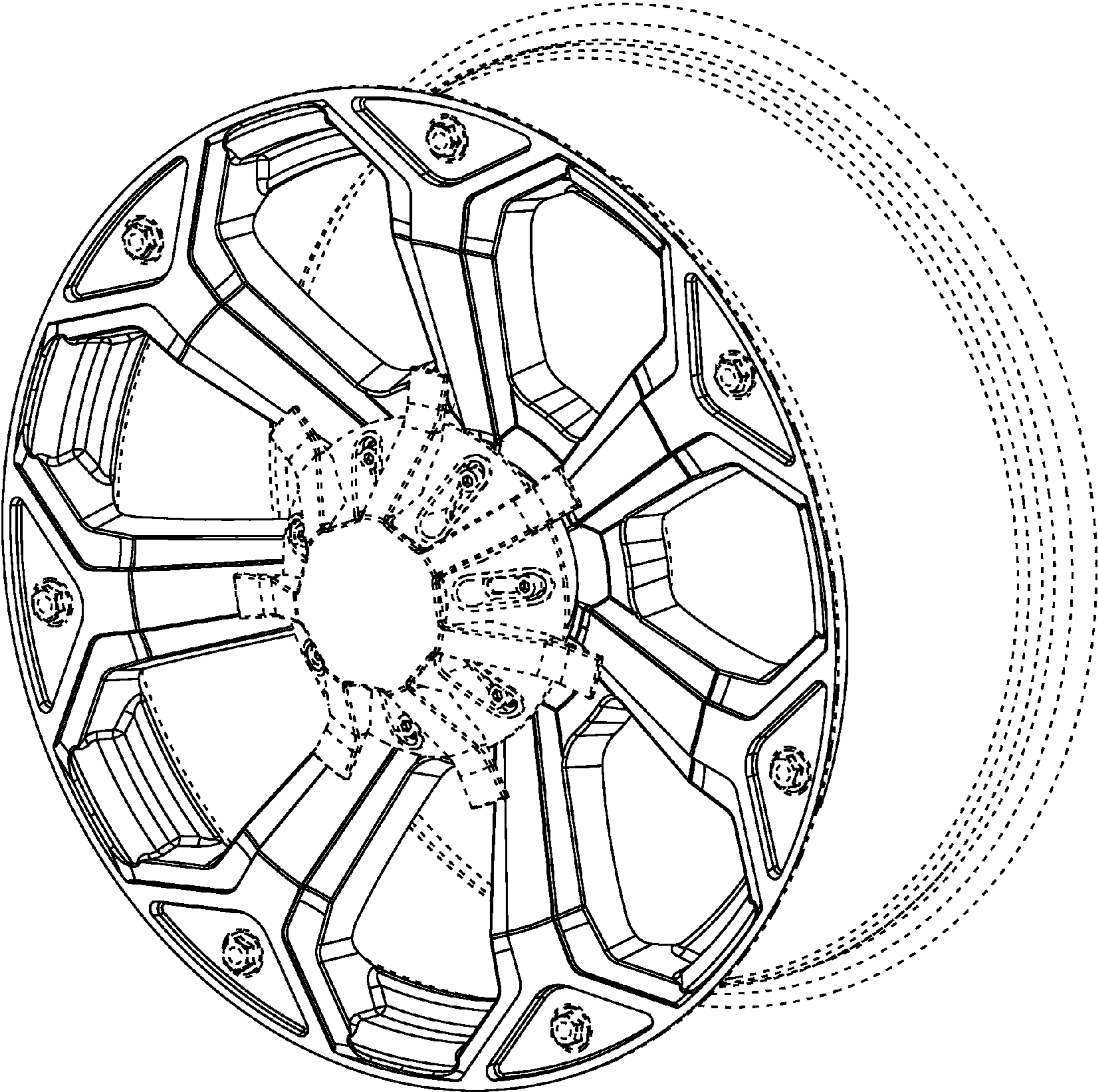


FIG. 1



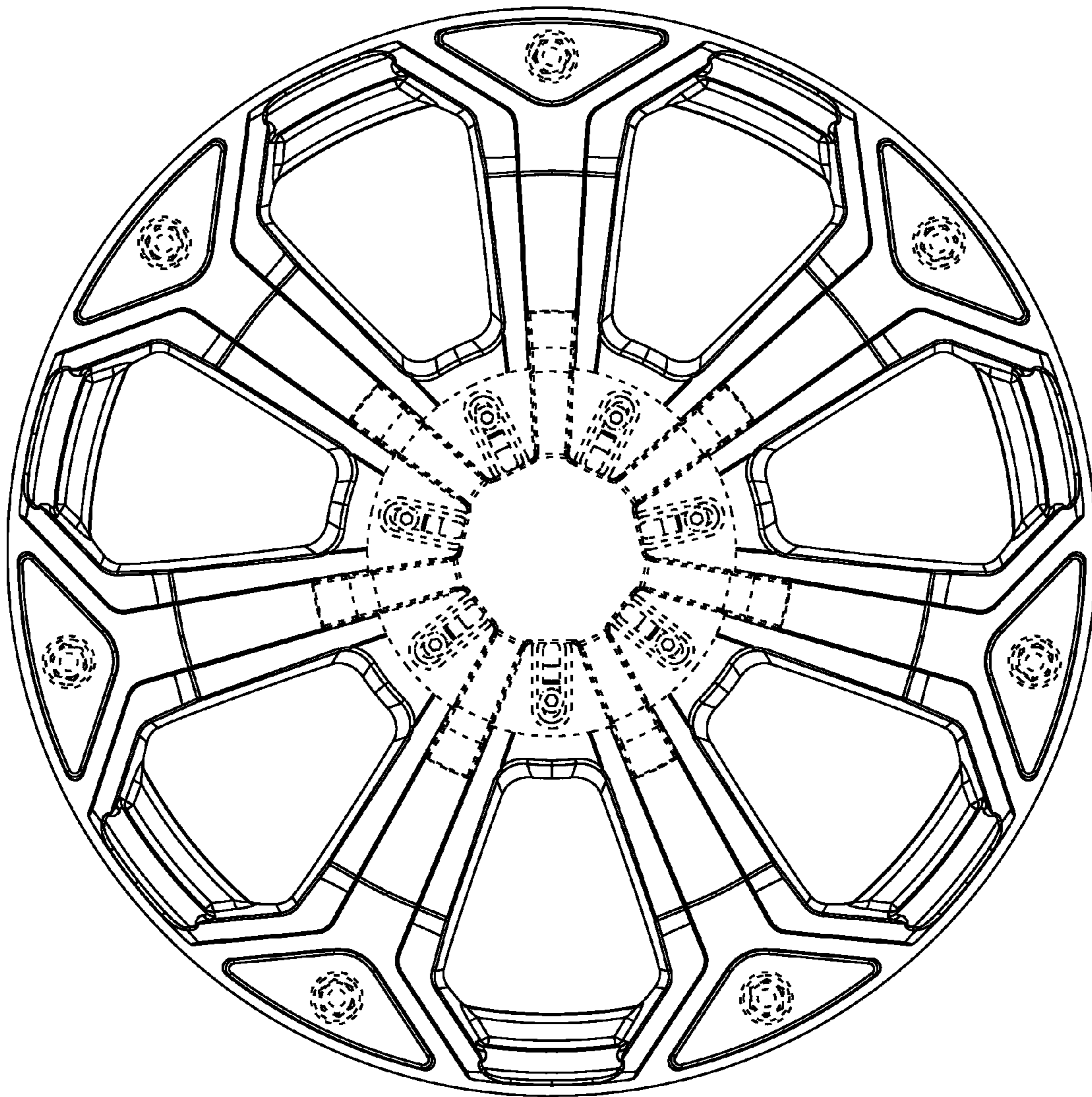
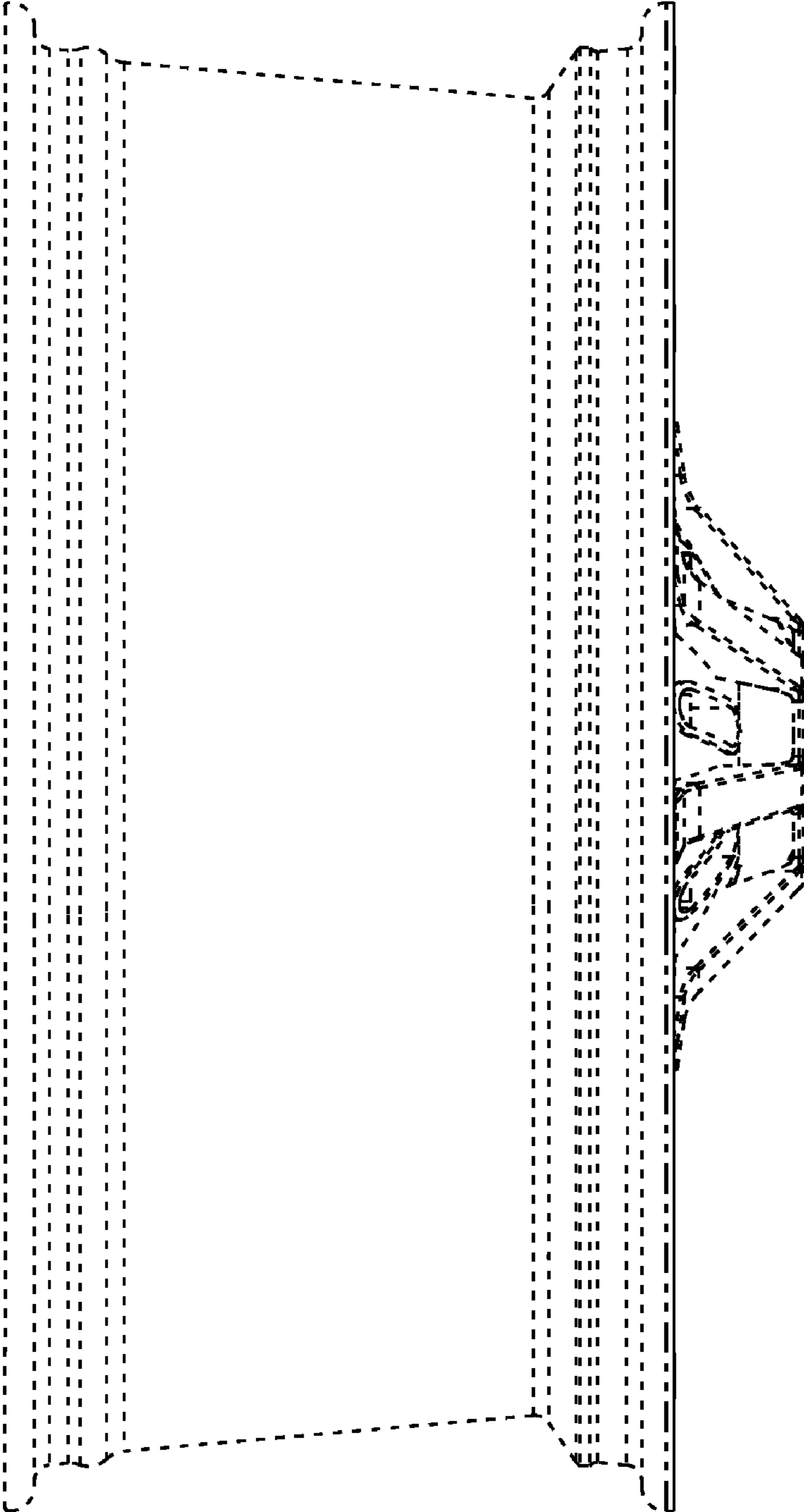
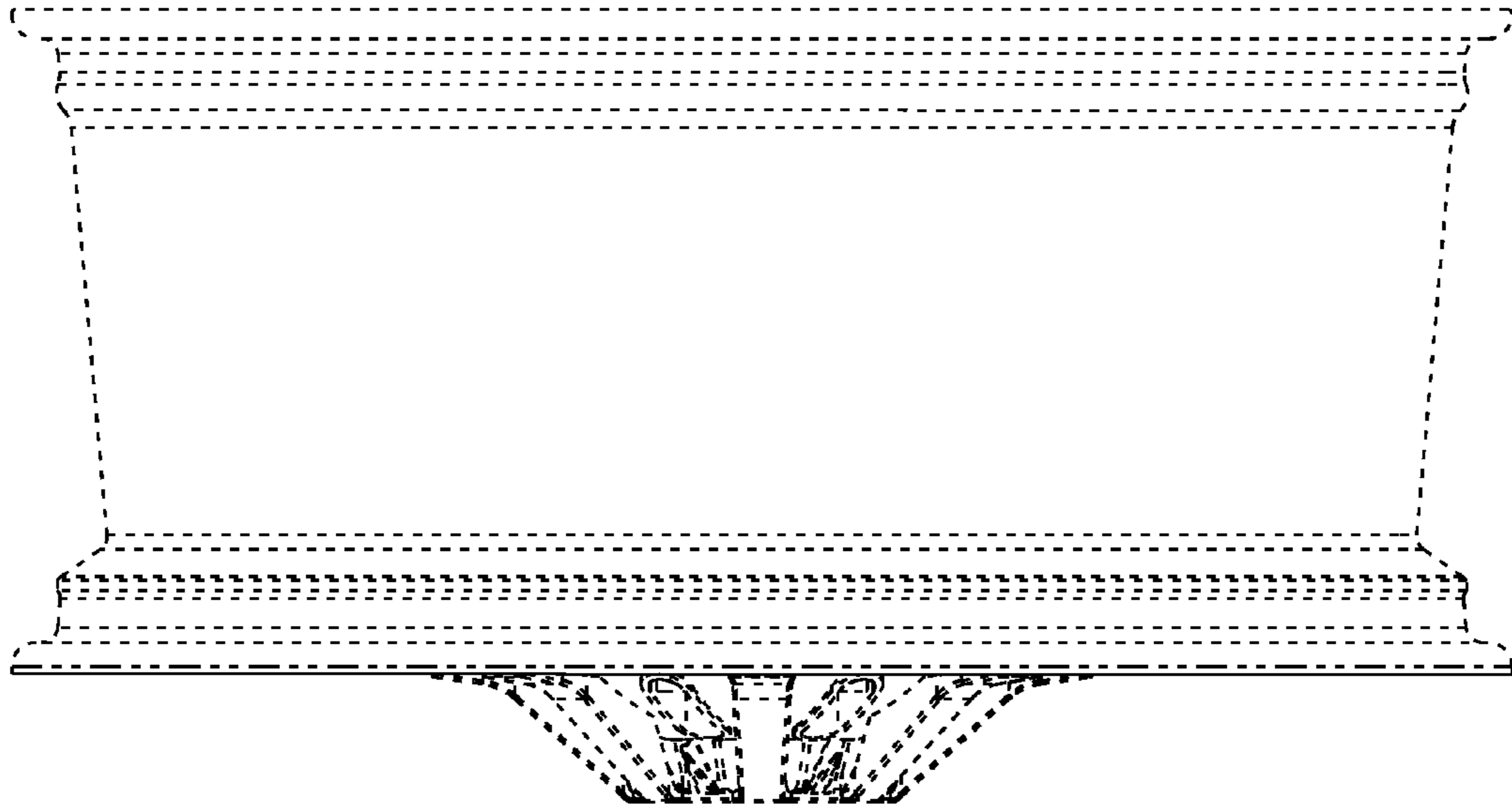


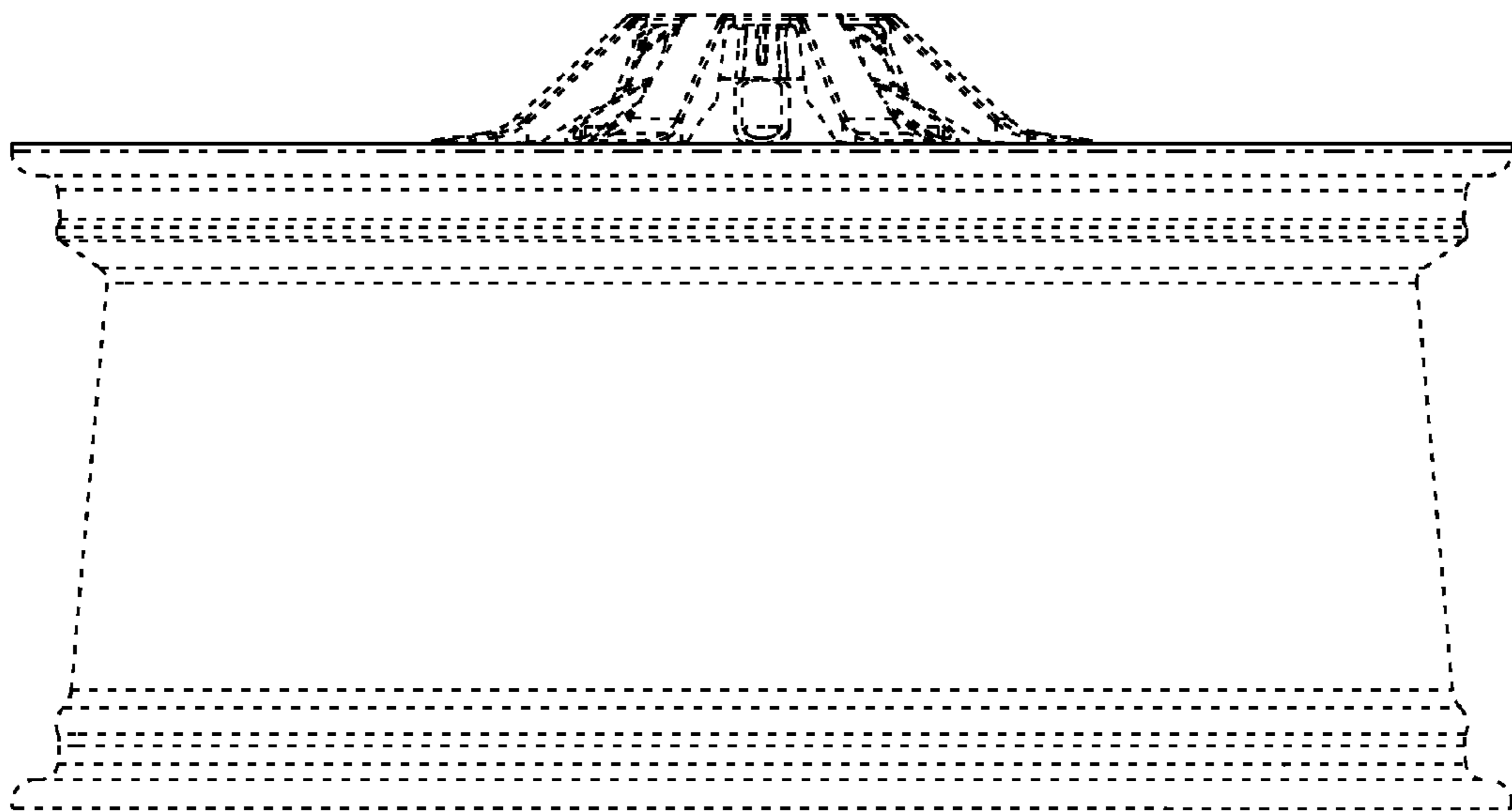
FIG. 2



**FIG. 3**



**FIG. 4**



**FIG. 5**

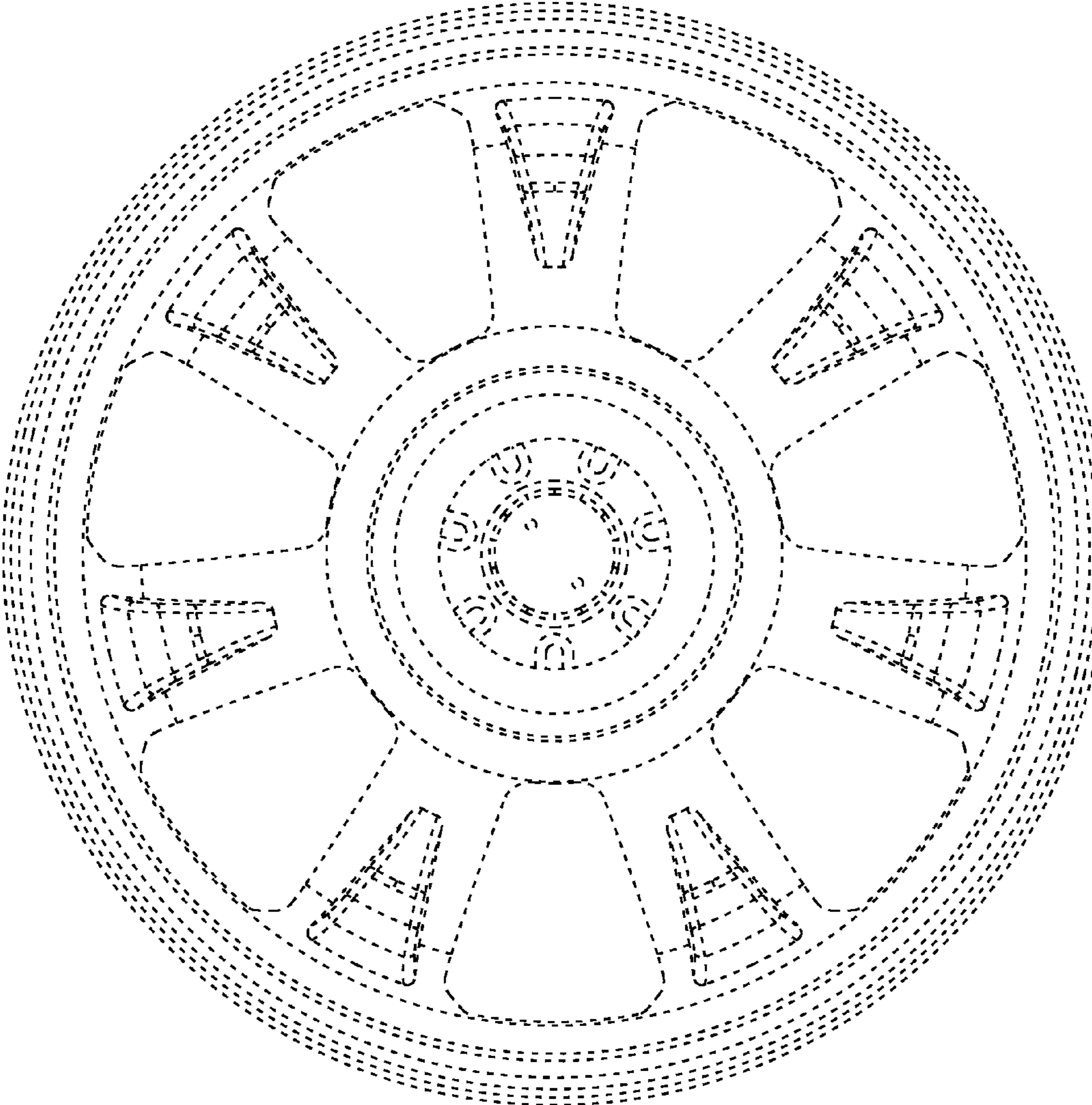


FIG. 6