



US00D620862S

(12) **United States Design Patent**
Pollmann

(10) **Patent No.:** **US D620,862 S**

(45) **Date of Patent:** **** Aug. 3, 2010**

(54) **WHEEL OR WHEEL COVER**

(75) Inventor: **Gert Pollmann**, Boehmfeld (DE)

(73) Assignee: **Bayerische Motoren Werke Aktiengesellschaft**, Munich (DE)

(**) Term: **14 Years**

(21) Appl. No.: **29/344,666**

(22) Filed: **Oct. 2, 2009**

(30) **Foreign Application Priority Data**

Apr. 3, 2009 (DE) 402009001869

(51) **LOC (9) Cl.** **12-16**

(52) **U.S. Cl.** **D12/209**

(58) **Field of Classification Search** D12/204-213;
301/37.101, 64.101, 65, 64.201

See application file for complete search history.

(56) **References Cited**

U.S. PATENT DOCUMENTS

D402,251 S *	12/1998	Timm	D12/211
D405,749 S *	2/1999	Kulla	D12/211
D432,974 S	10/2000	Jablonski		
D457,478 S *	5/2002	Minamisawa	D12/211
D461,441 S *	8/2002	Hartanto	D12/211
D488,420 S *	4/2004	Murkett et al.	D12/209
D521,438 S *	5/2006	Nordmann	D12/211
D522,434 S *	6/2006	Langer	D12/209
D539,204 S *	3/2007	Pollmann	D12/209
D539,724 S *	4/2007	Muzzarelli	D12/211

D542,728 S *	5/2007	Ichinose	D12/211
D558,114 S *	12/2007	Pollmann	D12/209
D567,735 S *	4/2008	Young	D12/209
D587,181 S *	2/2009	Musser	D12/209
D597,919 S *	8/2009	Atwell	D12/211
D598,834 S	8/2009	Juergens et al.		
D606,921 S *	12/2009	Thorsten	D12/211

FOREIGN PATENT DOCUMENTS

EM	000255609-0001	2/2005
EM	000735758-0004	7/2007
EM	001023915-0001	10/2008
EM	001049324-0002	9/2009
WO	DM/044406	8/1998

* cited by examiner

Primary Examiner—Stacia Cadmus

(74) *Attorney, Agent, or Firm*—Crowell & Moring LLP

(57) **CLAIM**

The ornamental design for a wheel or wheel cover, as shown and described.

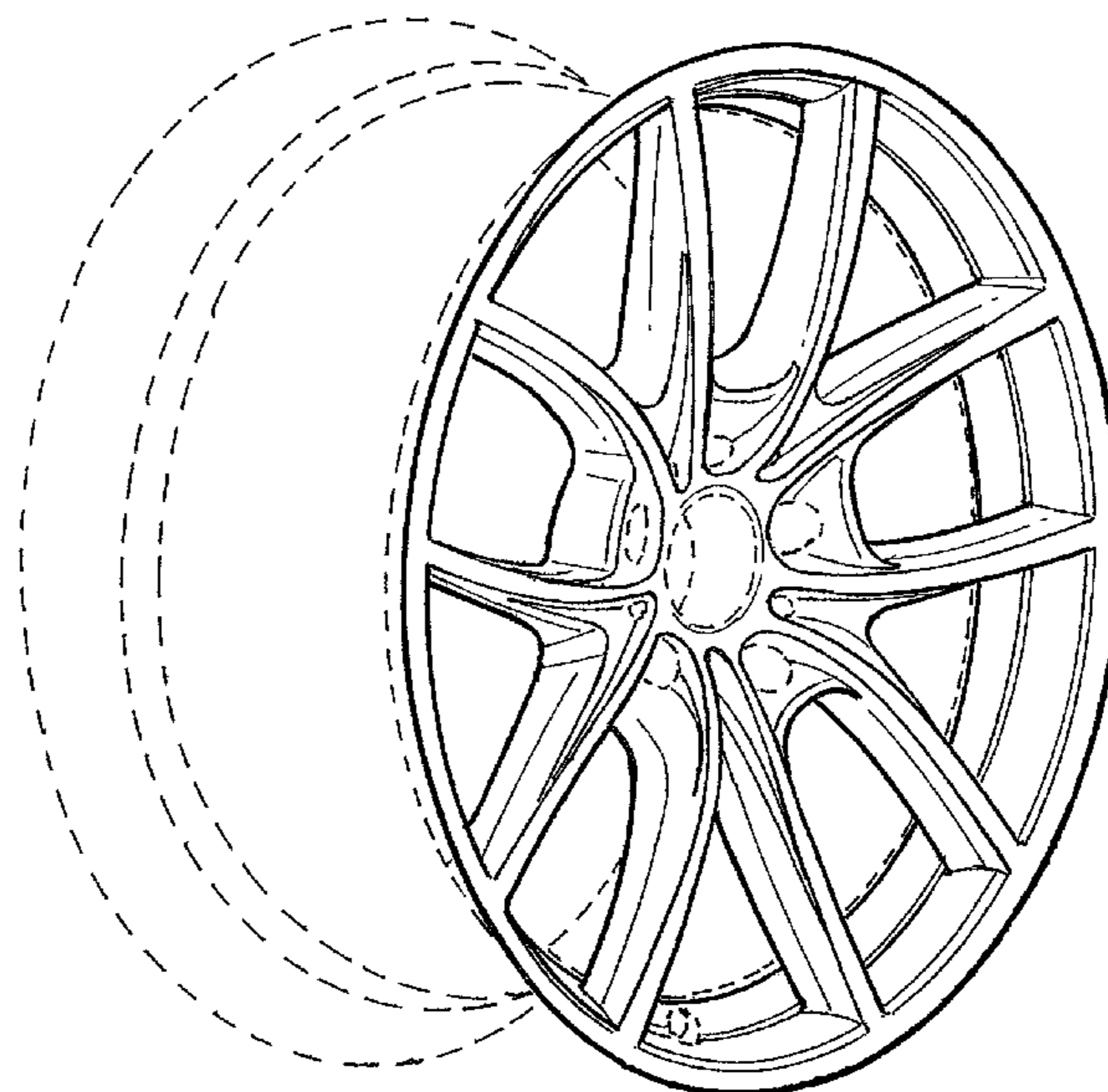
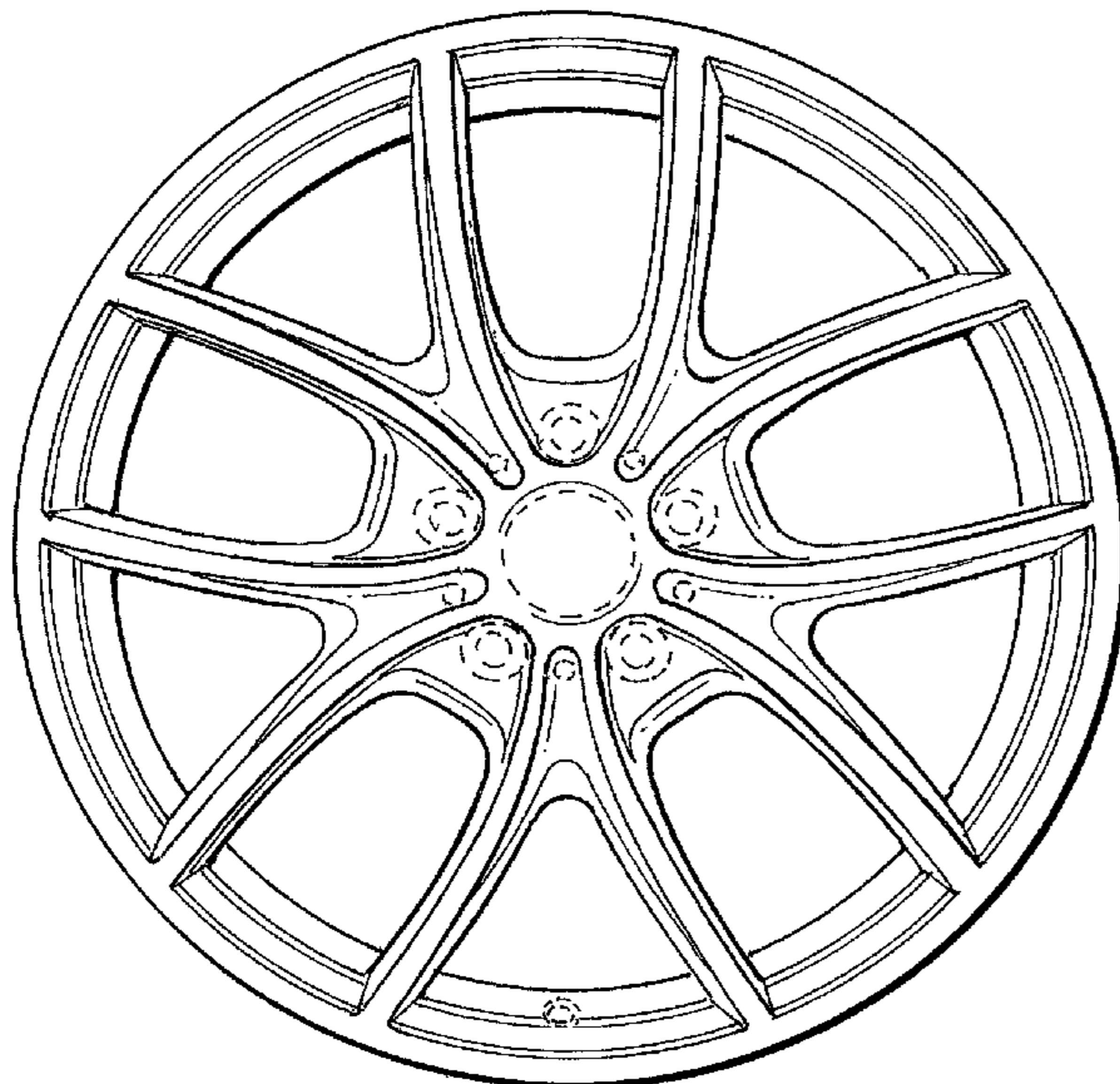
DESCRIPTION

FIG. 1 is a front view of a wheel or wheel cover according to my design; and,

FIG. 2 is a perspective view thereof.

The broken line showing of the rear of the rim and the bolt holes and center hole in the central hub area is included for the purpose of illustrating environment and forms no part of the claimed design.

1 Claim, 1 Drawing Sheet



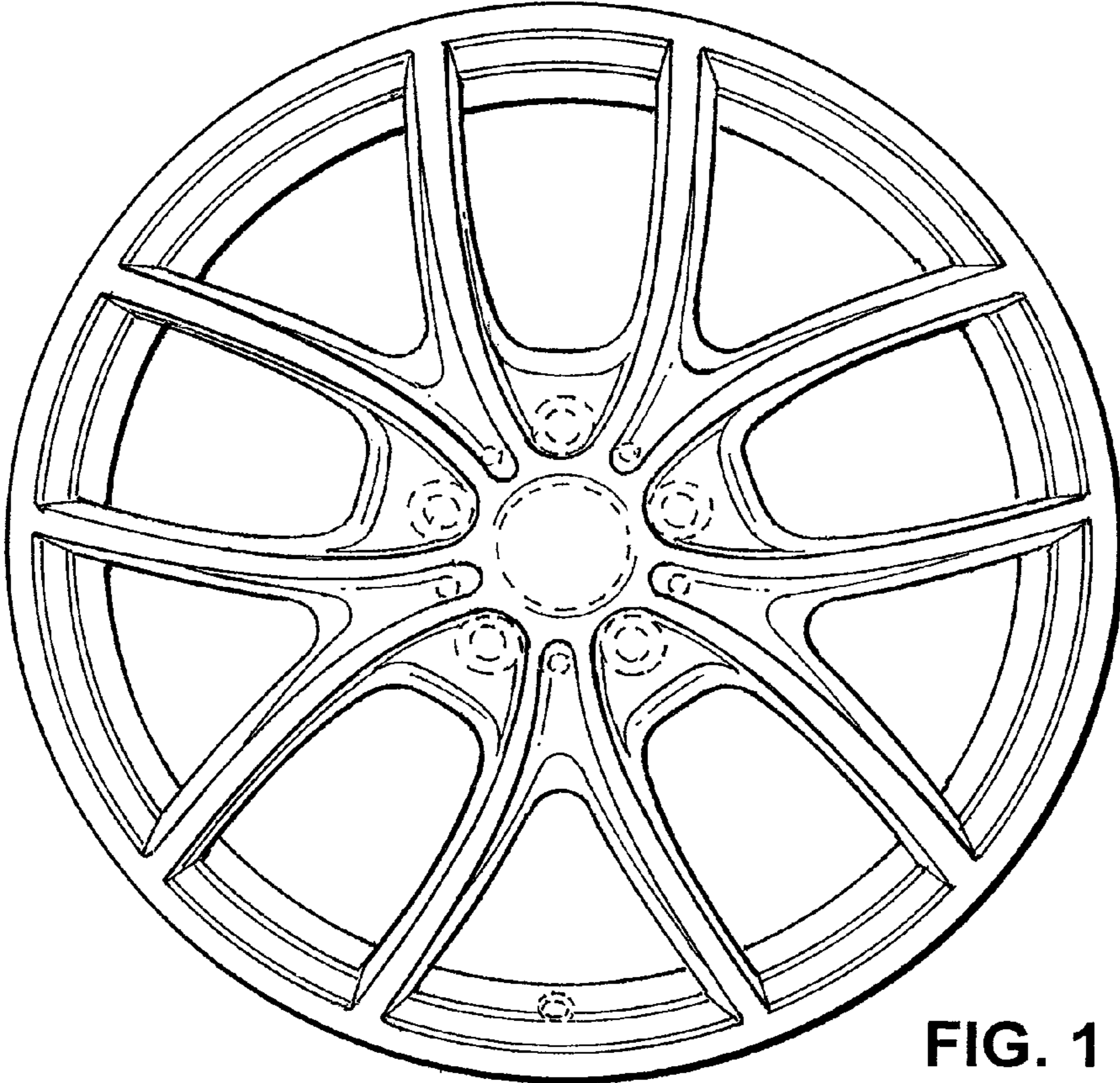


FIG. 1

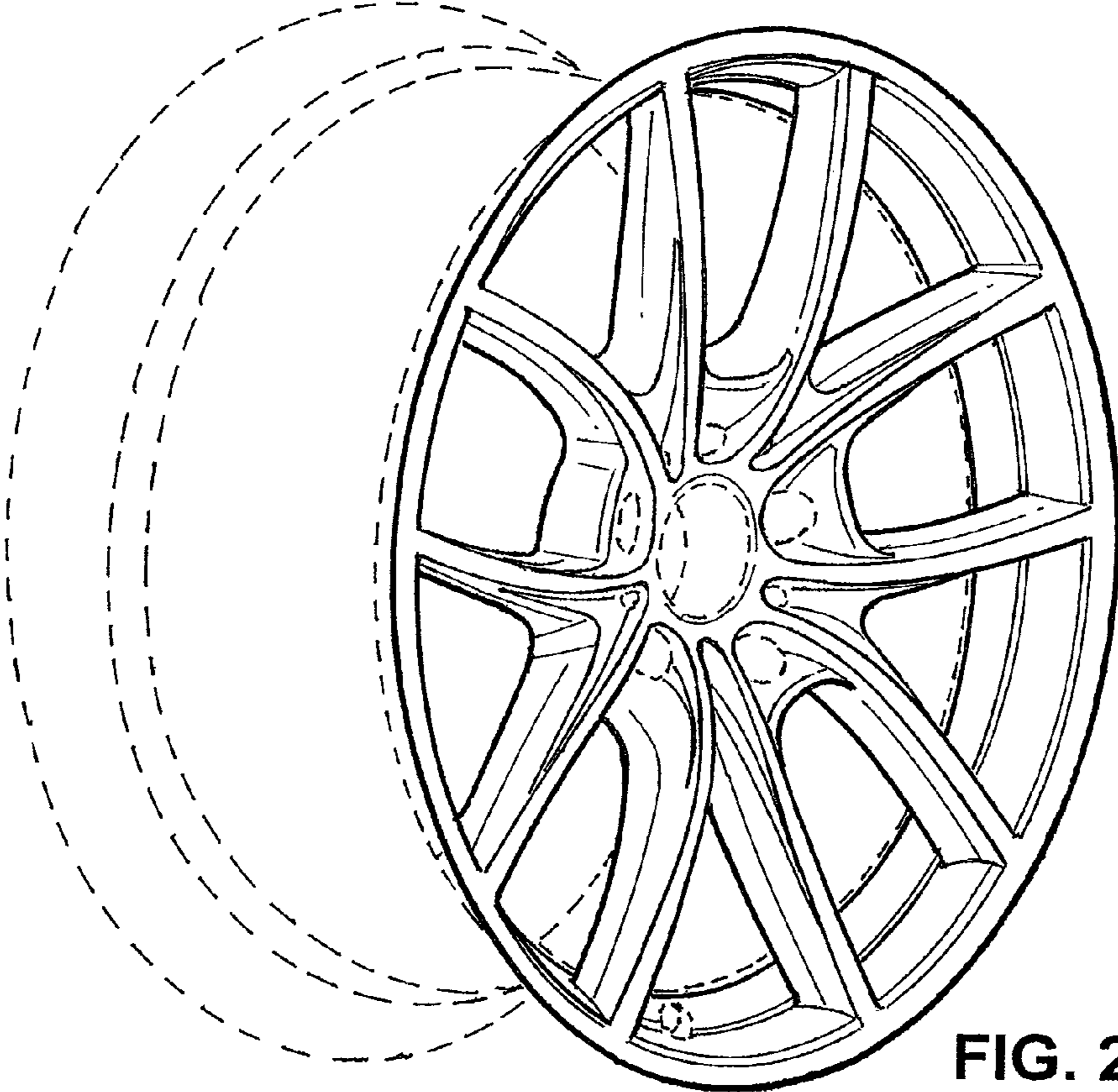


FIG. 2