



US00D620861S

(12) **United States Design Patent**
Froehlich

(10) **Patent No.:** **US D620,861 S**

(45) **Date of Patent:** **** Aug. 3, 2010**

(54) **DOOR FOR A VEHICLE**

(75) Inventor: **Jacek Froehlich**, Munich (DE)

(73) Assignee: **Bayerische Motoren Werke Aktiengesellschaft**, Munich (DE)

(**) Term: **14 Years**

(21) Appl. No.: **29/347,406**

(22) Filed: **Dec. 22, 2009**

(30) **Foreign Application Priority Data**

Jul. 1, 2009 (DE) 402009003243

(51) **LOC (9) Cl.** **12-16**

(52) **U.S. Cl.** **D12/196**

(58) **Field of Classification Search** D12/196,
D12/90-92, 86; 296/181.1, 181.5
See application file for complete search history.

(56) **References Cited**

U.S. PATENT DOCUMENTS

D479,170 S	9/2003	Boyer	
D511,129 S	11/2005	Nagashima	
D558,112 S	* 12/2007	Leclercq	D12/196
D573,522 S	* 7/2008	Sato et al.	D12/196
D583,288 S	* 12/2008	Leclercq	D12/196
D583,289 S	* 12/2008	Leclercq	D12/196
D593,016 S	5/2009	Habib	
D593,471 S	* 6/2009	Larson	D12/196
D593,918 S	* 6/2009	Larson	D12/196

FOREIGN PATENT DOCUMENTS

WO	DM/063034	4/2003
WO	DM/065775	11/2004
WO	DM/065936	11/2004
WO	DM/069623	6/2008

* cited by examiner

Primary Examiner—Melody N Brown
(74) *Attorney, Agent, or Firm*—Crowell & Moring LLP

(57) **CLAIM**

The ornamental design for a door for a vehicle, as shown and described.

DESCRIPTION

This application contains subject matter related to the following pending U.S. design patent applications filed herewith:

U.S. application Ser. No. 29/347,400;

U.S. application Ser. No. 29/347,397; and

U.S. application Ser. No. 29/347,403.

FIG. 1 is a left perspective view of a embodiment of a door for a vehicle according to my design;

FIG. 2 is a right perspective view thereof;

FIG. 3 is a front view thereof;

FIG. 4 is a left side view thereof;

FIG. 5 is a right side view thereof;

FIG. 6 is a top view thereof; and

FIG. 7 is a bottom view thereof.

FIG. 8 is a right perspective view of a second embodiment of the door for a vehicle according to my design;

FIG. 9 is a left perspective view of FIG. 8;

FIG. 10 is a front view of FIG. 8;

FIG. 11 is a left side view of FIG. 8;

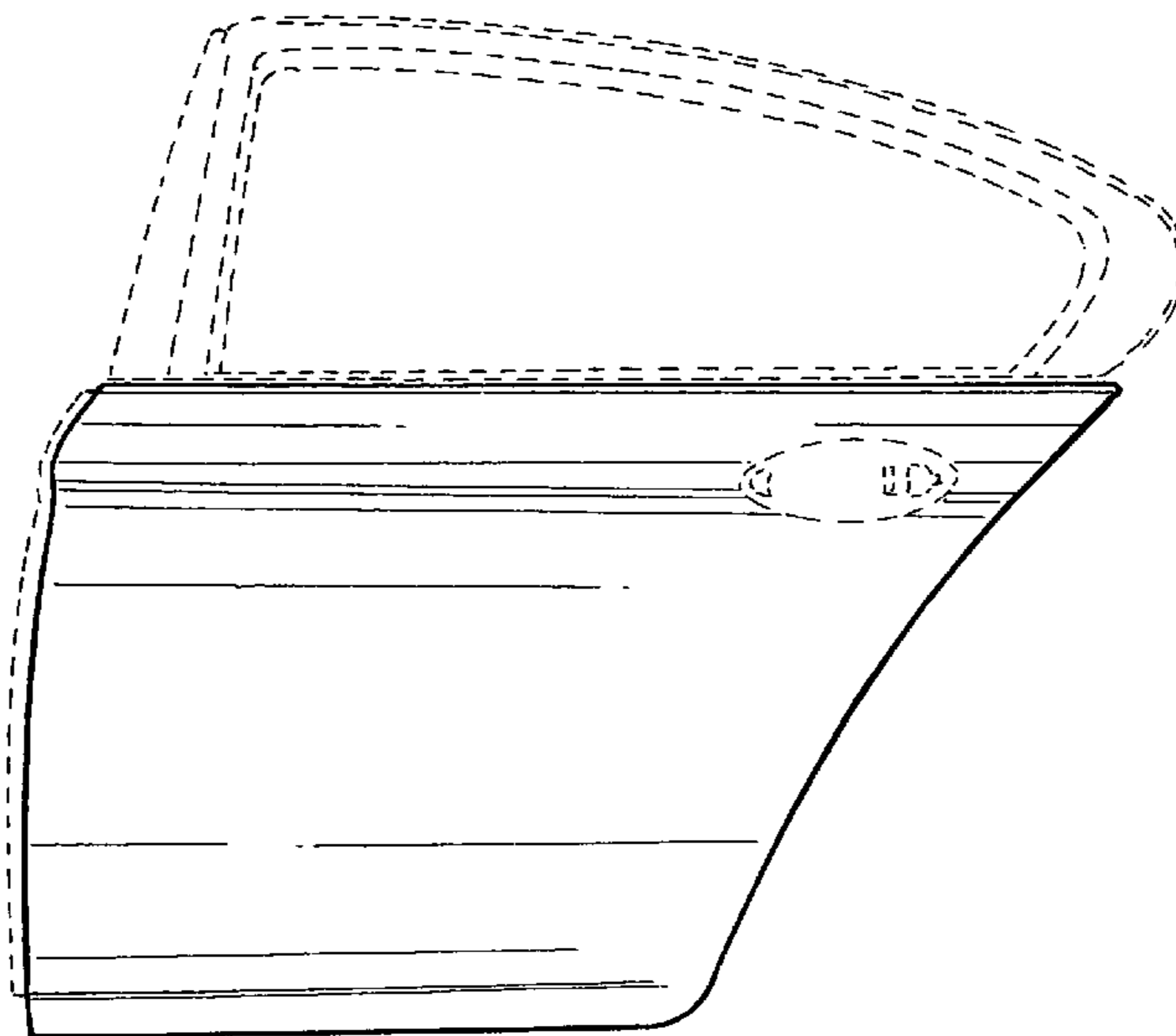
FIG. 12 is a right side view of FIG. 8;

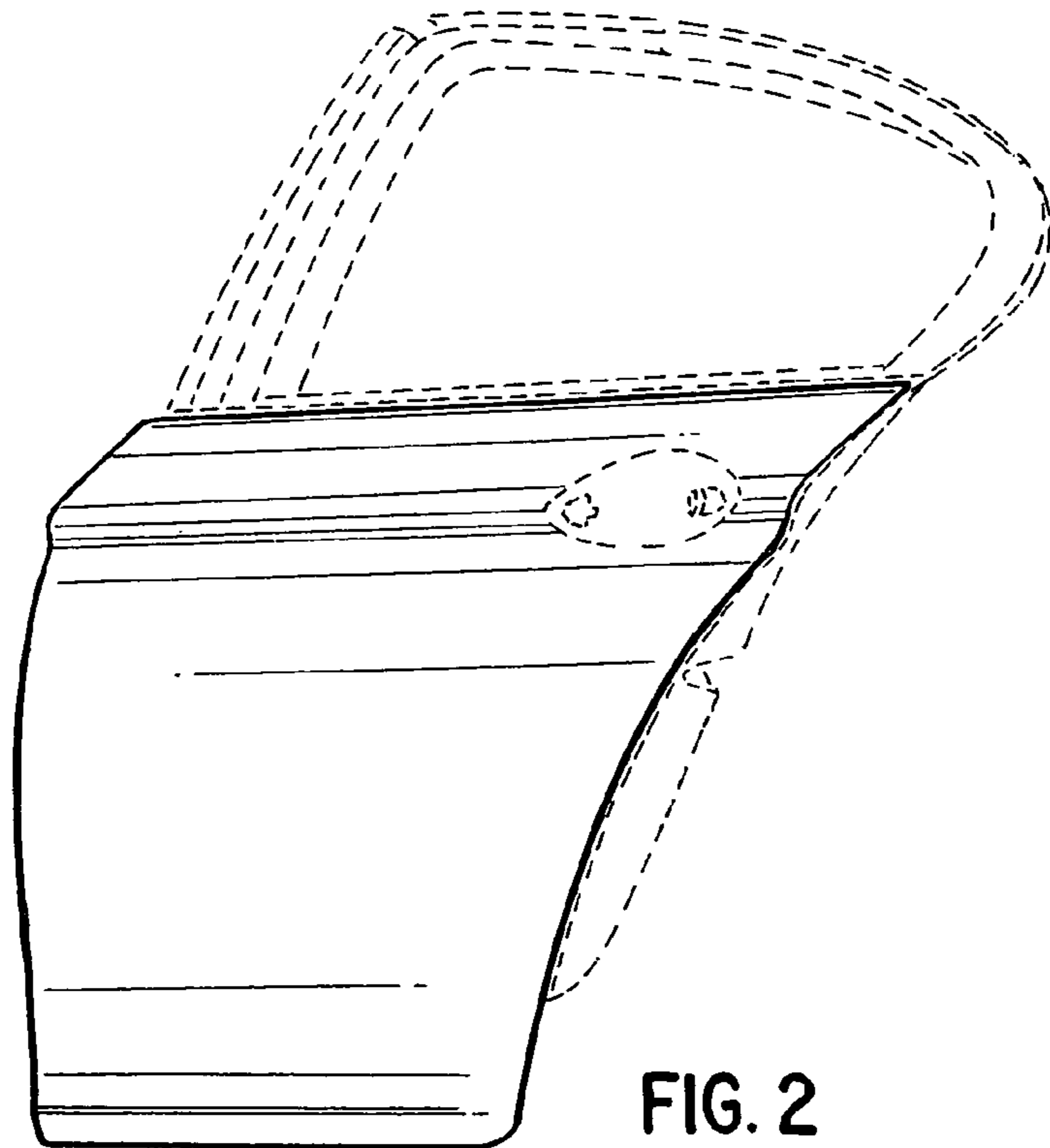
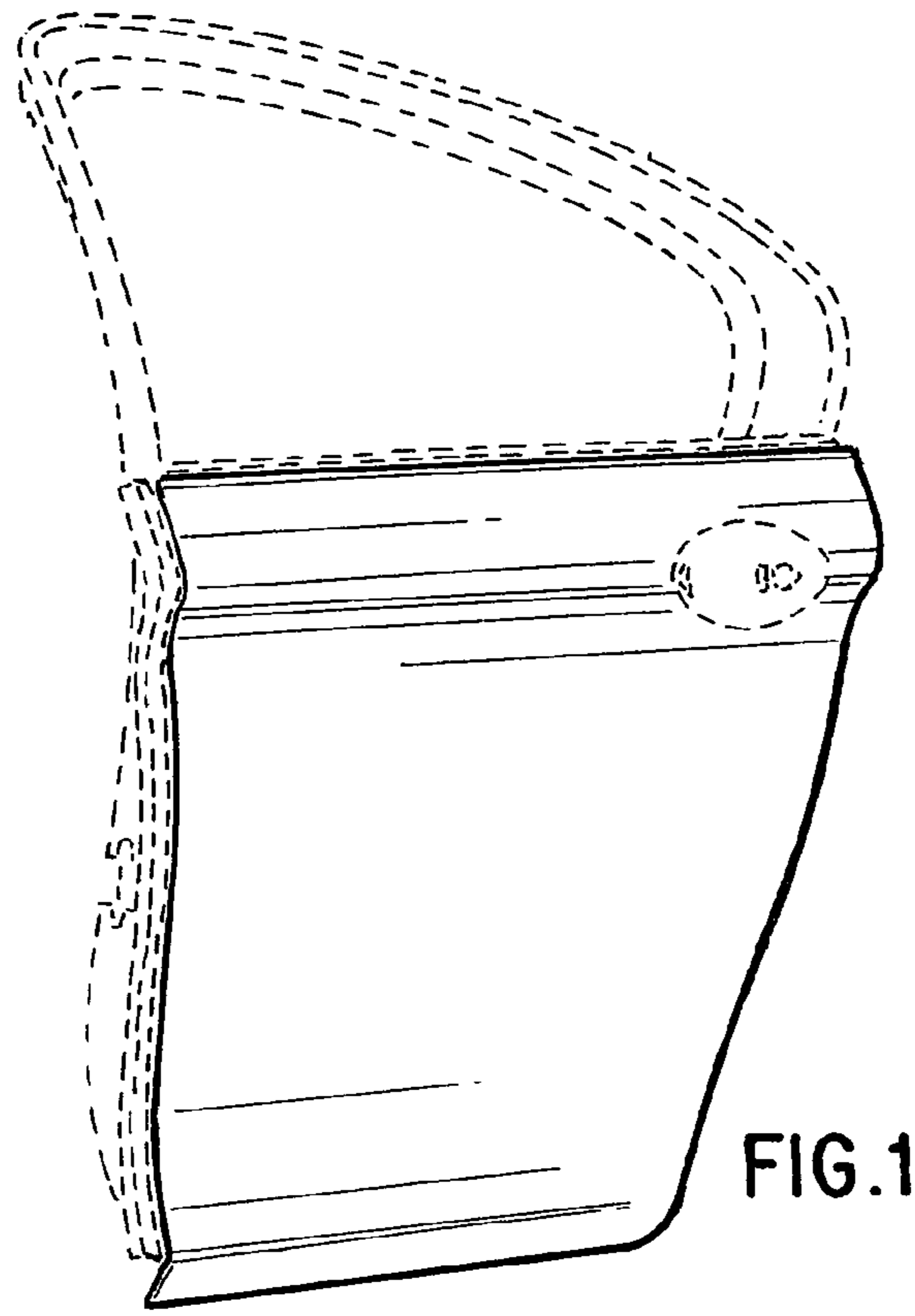
FIG. 13 is a top view of FIG. 8; and,

FIG. 14 is a bottom view of FIG. 8.

The broken lines are for illustrative purposes only and form no part of the claimed design.

1 Claim, 6 Drawing Sheets





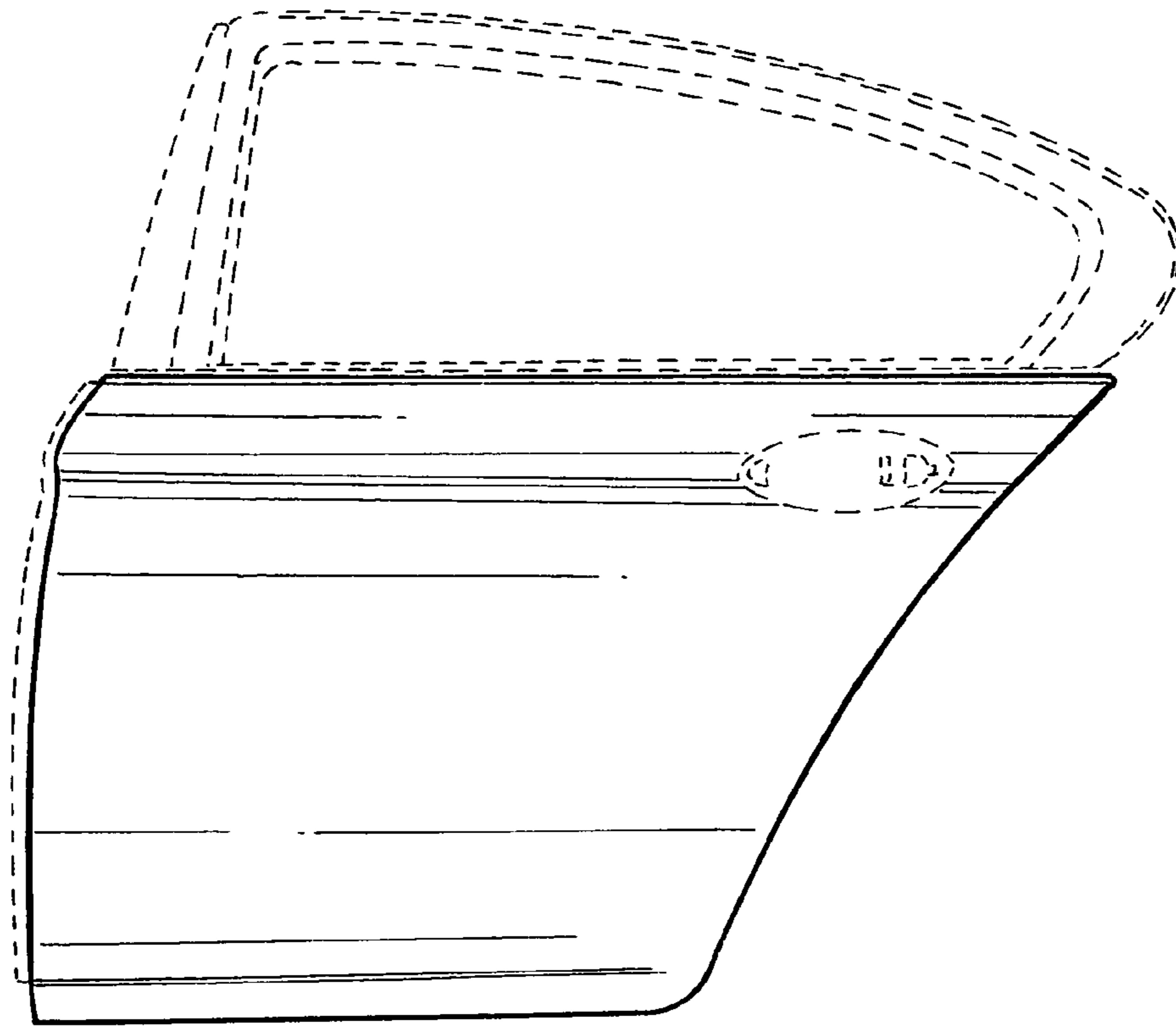


FIG. 3

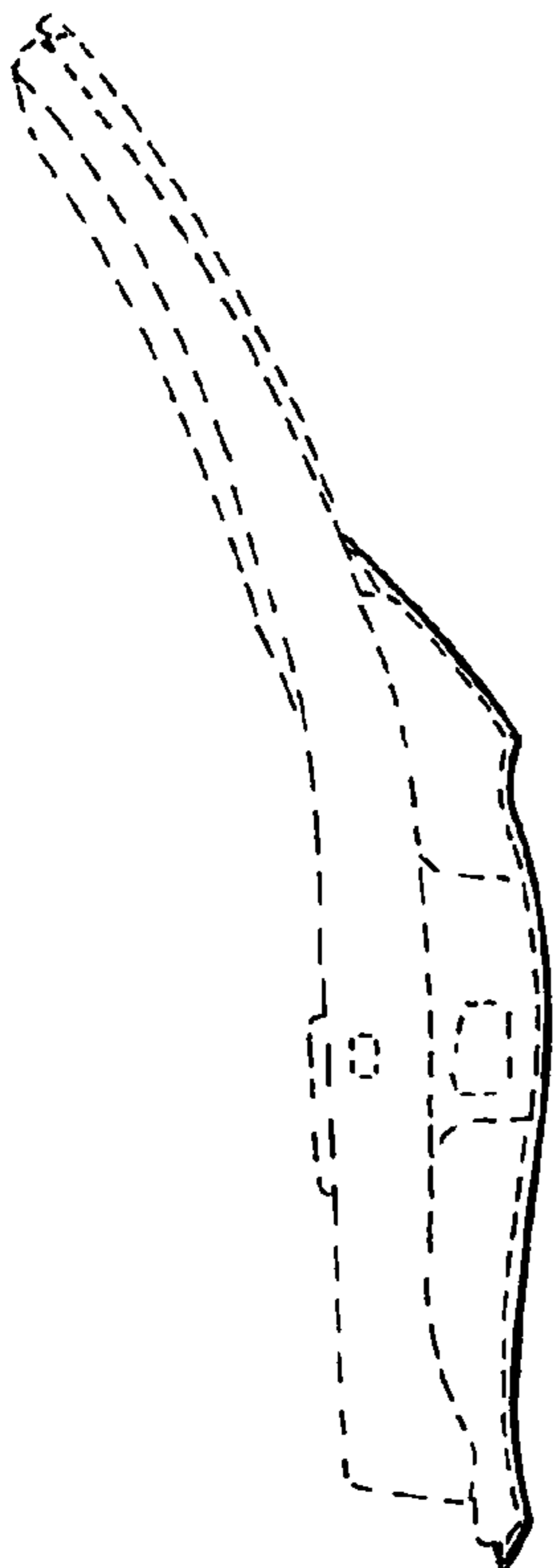


FIG. 4

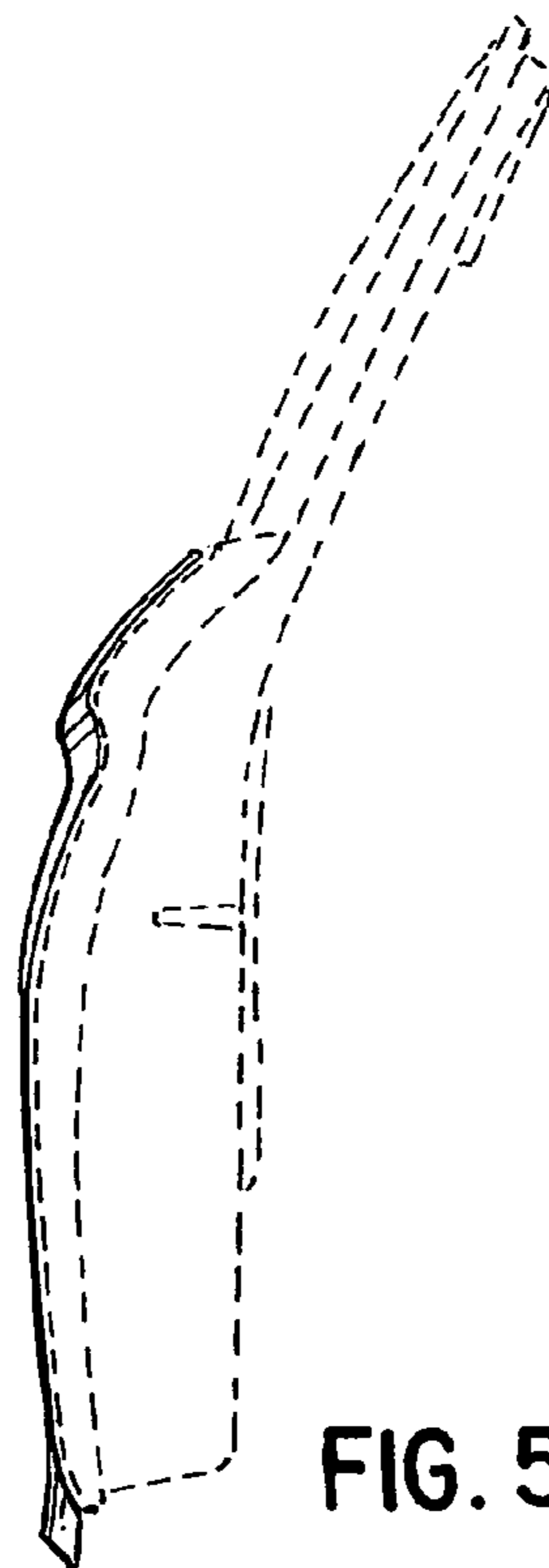


FIG. 5

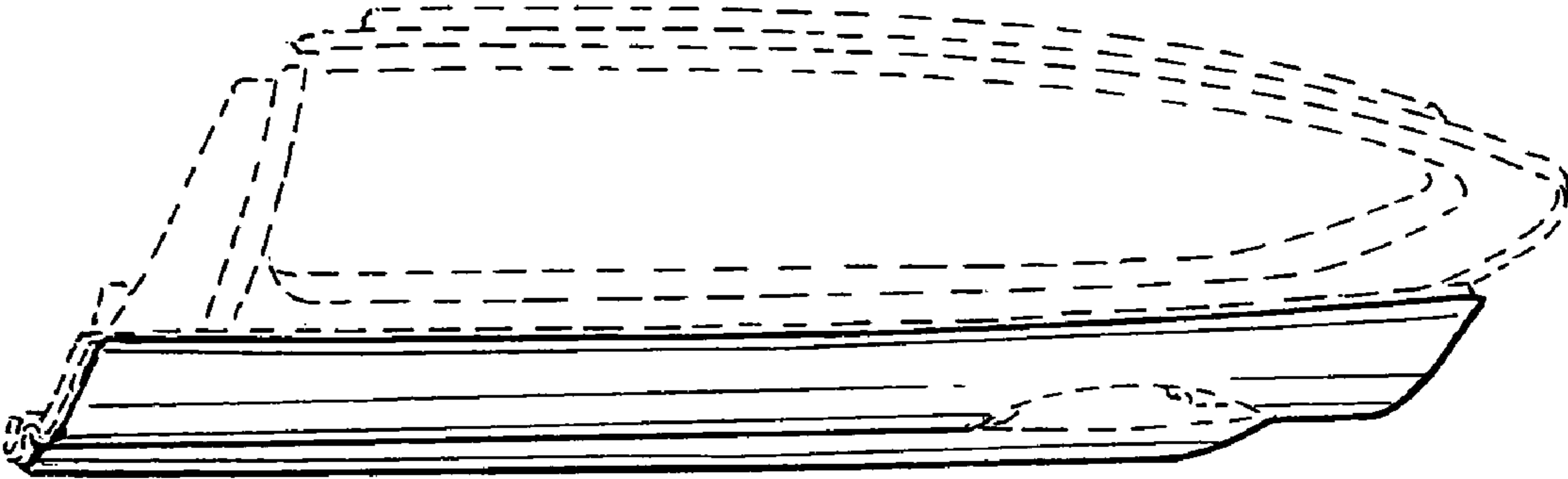


FIG. 6

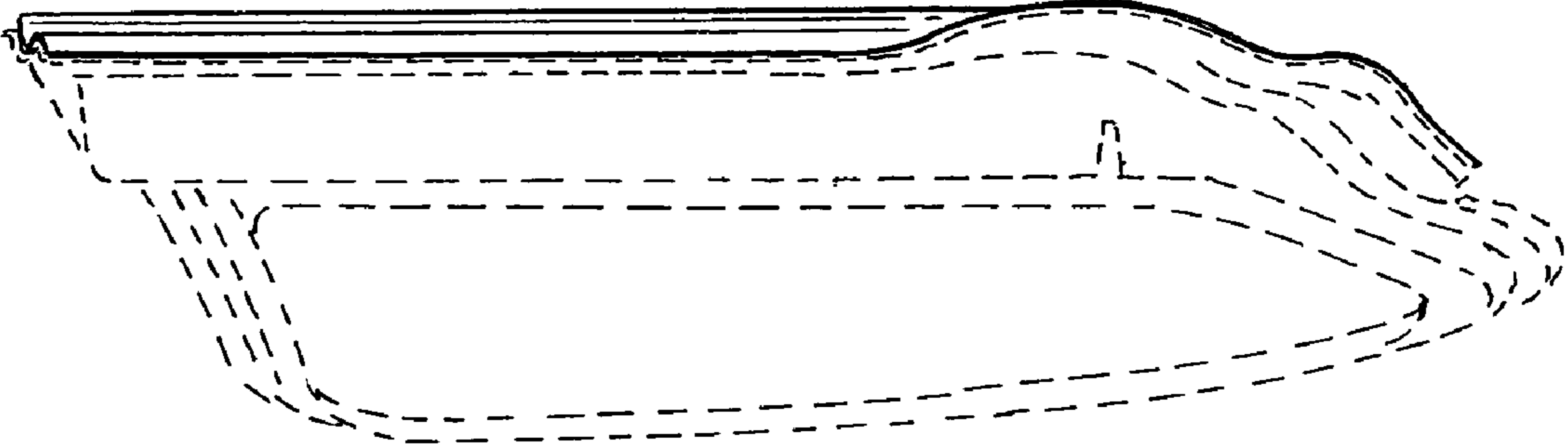


FIG. 7

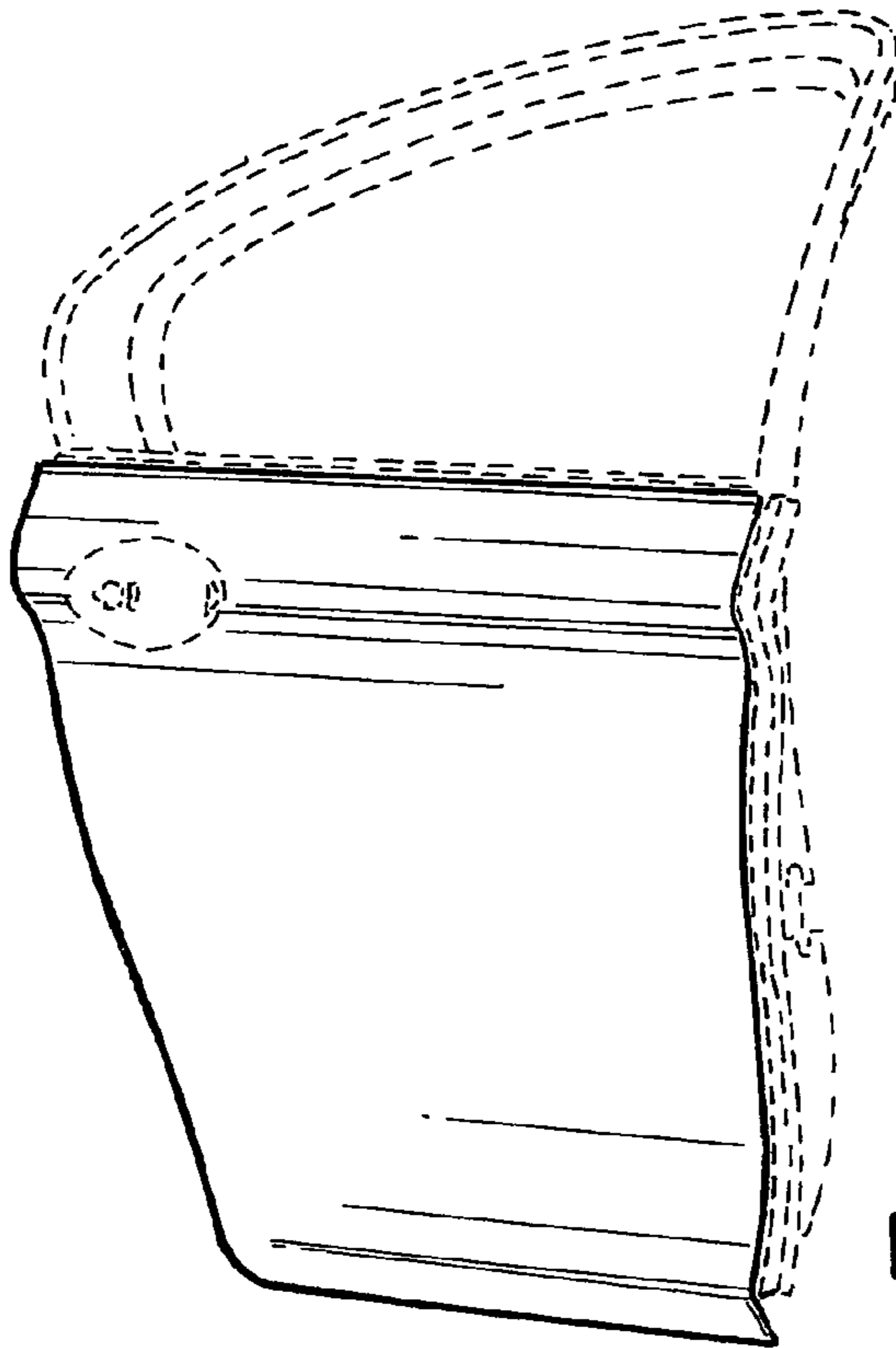


FIG. 8

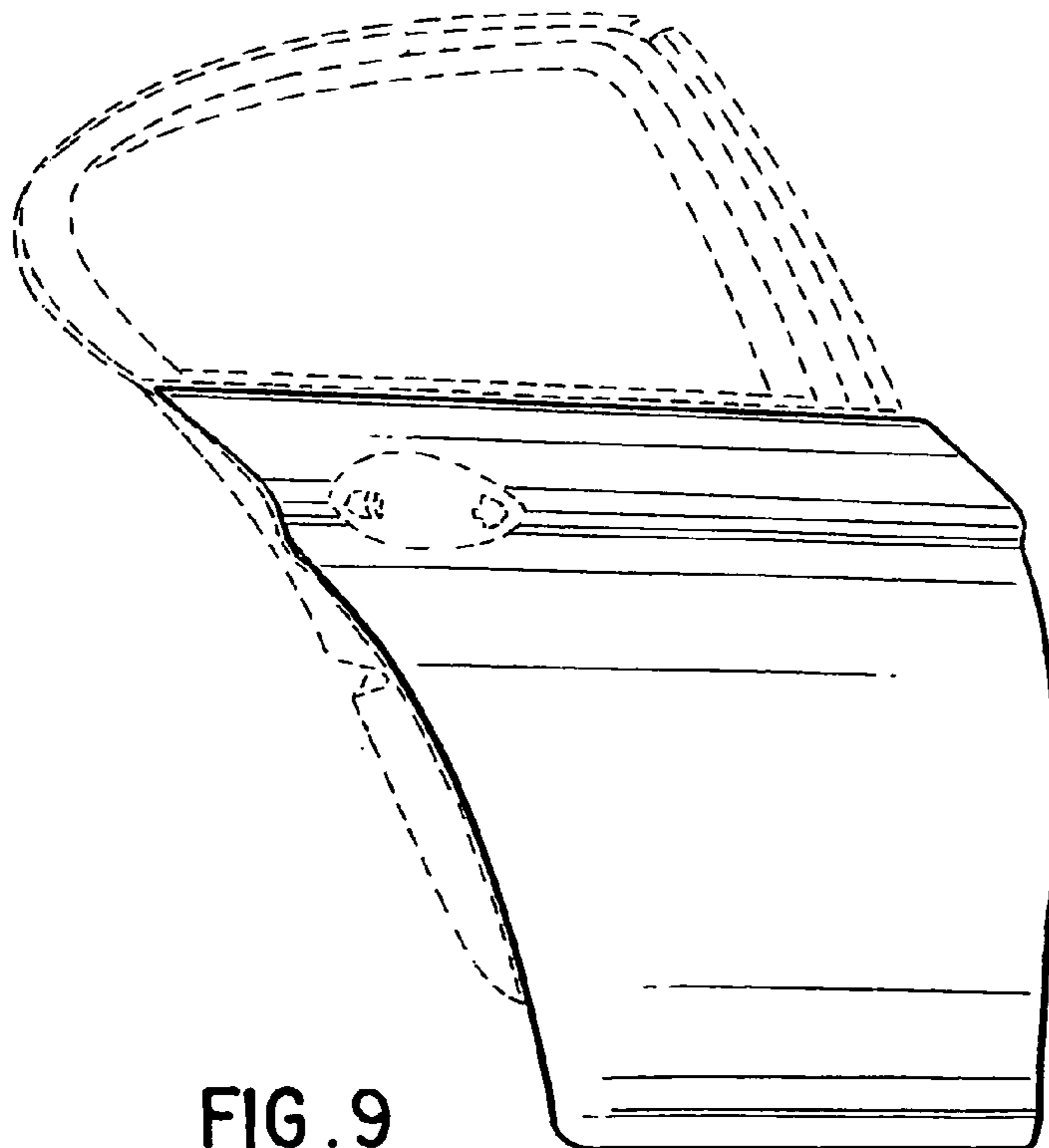


FIG. 9

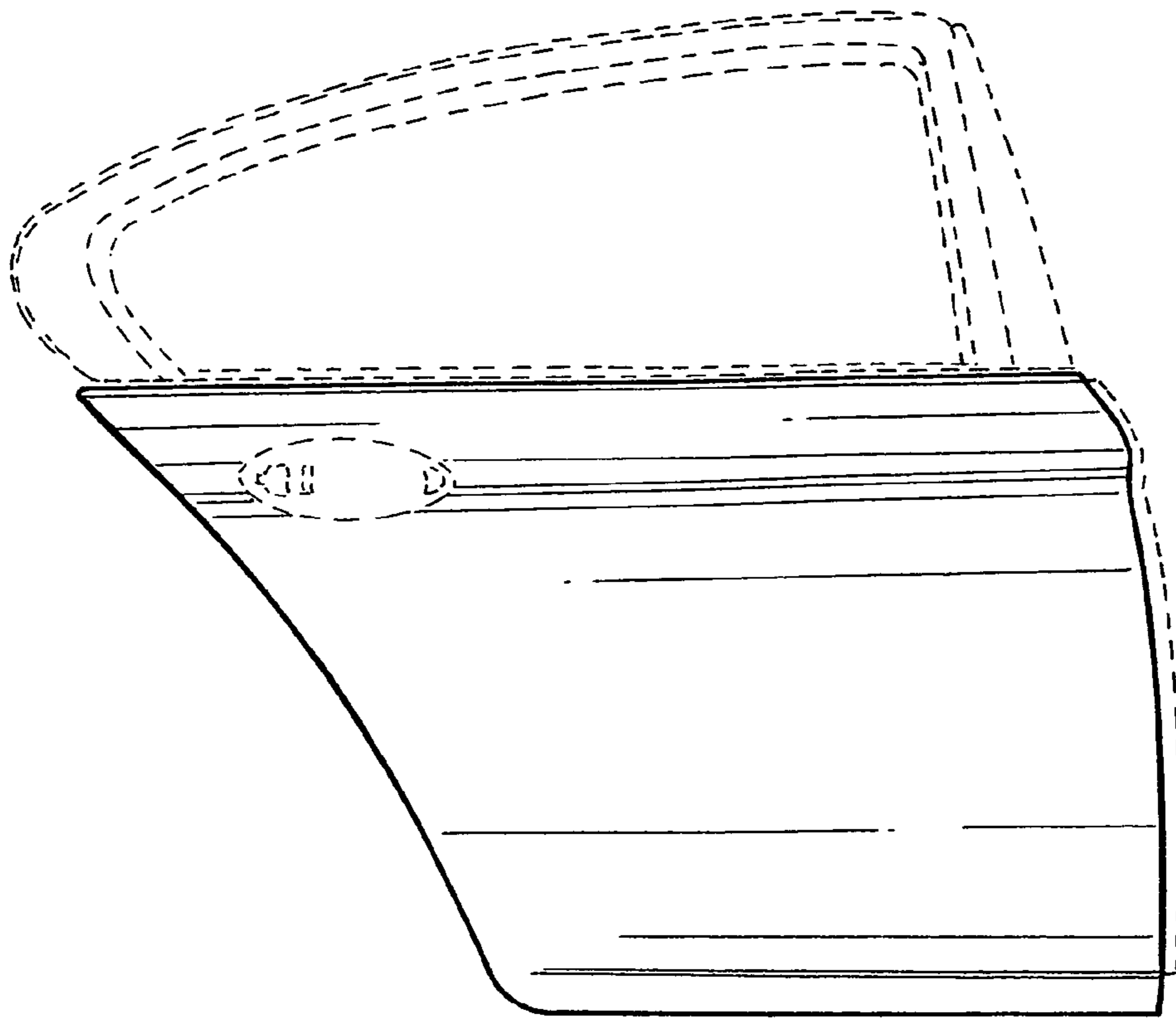


FIG. 10

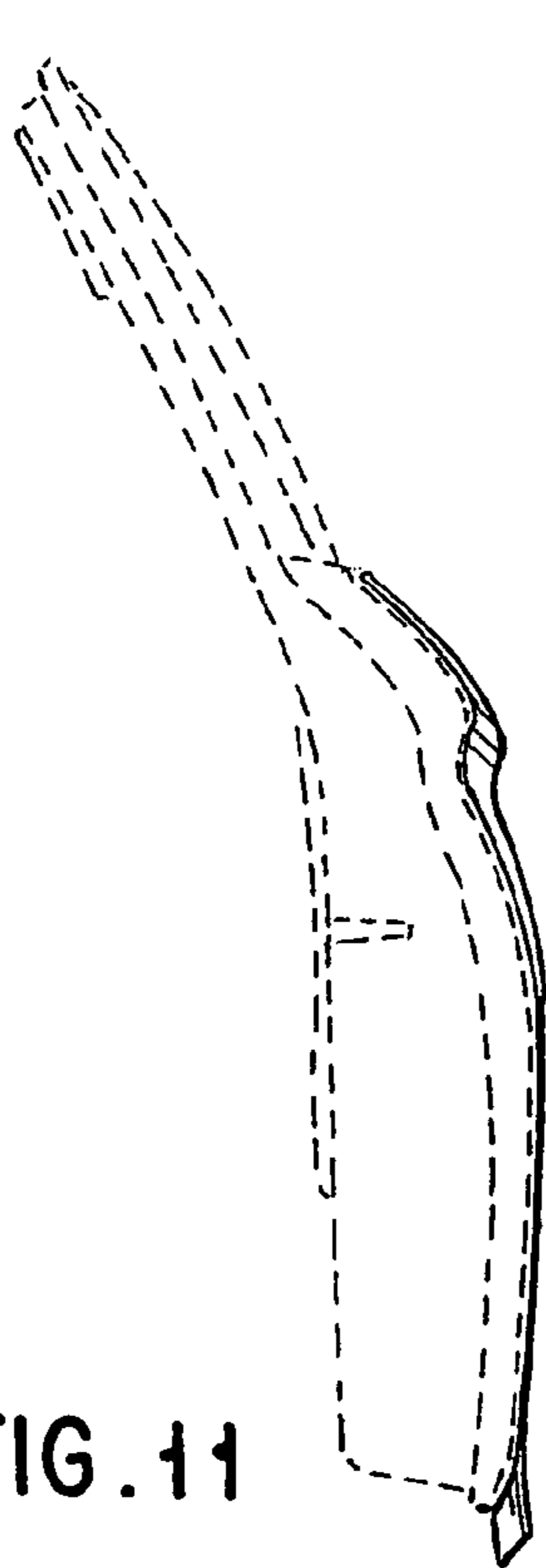


FIG. 11

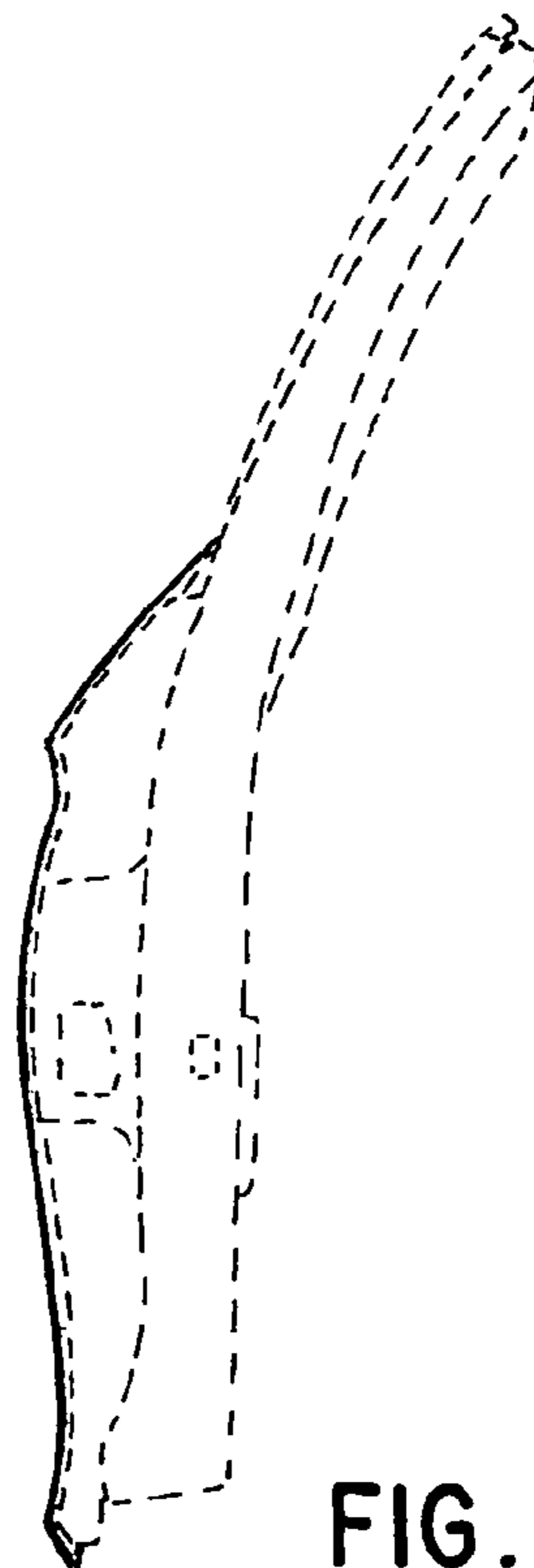


FIG. 12

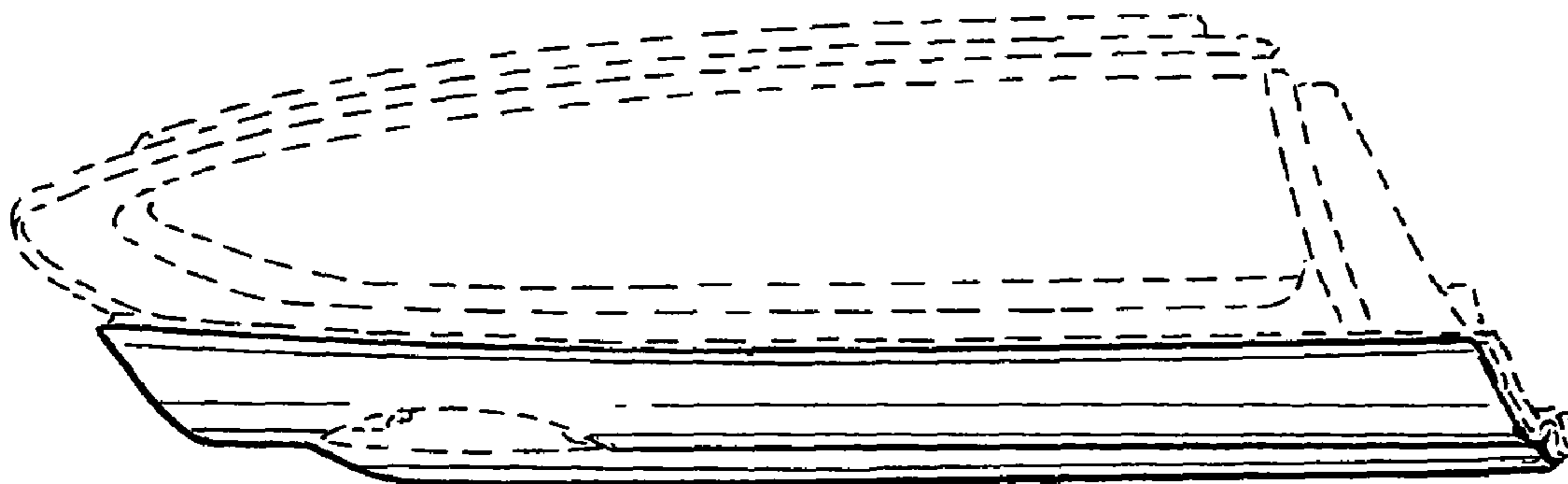


FIG. 13

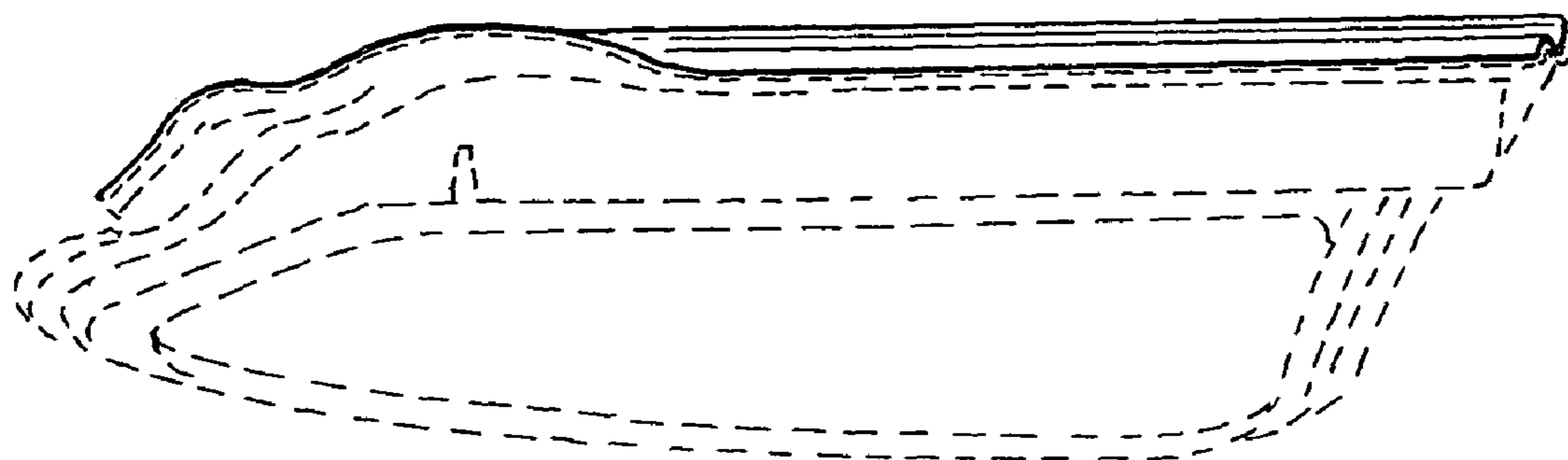


FIG. 14