



US00D620859S

(12) **United States Design Patent**
Bisson

(10) **Patent No.:** **US D620,859 S**

(45) **Date of Patent:** **** Aug. 3, 2010**

(54) **MIRROR MOUNTED SNOW AND DIRT DEFLECTING DEVICE**

(76) **Inventor:** **Edwin A. Bisson**, 82 Salisbury Hwy.,
Andover, NH (US) 03216

(**) **Term:** **14 Years**

(21) **Appl. No.:** **29/348,183**

(22) **Filed:** **Dec. 8, 2009**

(51) **LOC (9) Cl.** **12-16**

(52) **U.S. Cl.** **D12/187**

(58) **Field of Classification Search** D12/187,
D12/188-189, 96; D6/309, 300; 359/838,
359/841, 843, 844, 868, 871, 604, 881, 514,
359/866; 248/479-483, 475.1

See application file for complete search history.

(56) **References Cited**

U.S. PATENT DOCUMENTS

303,942	A *	8/1884	Bottcher	119/524
303,947	A *	8/1884	Yehuda	83/343
317,400	A *	5/1885	Loew	172/331
2,419,733	A *	4/1947	Scott	433/31
2,620,920	A *	12/1952	Hill	206/103
2,622,481	A	12/1952	Triphahn		
2,649,839	A	8/1953	Condon		
D252,508	S	7/1979	Wiley, Jr.		
4,475,100	A *	10/1984	Duh	362/494
4,668,058	A	5/1987	Wright		
4,750,824	A	6/1988	Soumenis		
5,421,628	A	6/1995	Nahm		
5,575,552	A *	11/1996	Faloon et al.	362/492

6,499,868	B1 *	12/2002	Kerul, Jr.	362/492
7,192,075	B1 *	3/2007	Asai	296/97.1
2008/0142031	A1 *	6/2008	Francis	132/200
2009/0119966	A1 *	5/2009	Liou et al.	40/773

* cited by examiner

Primary Examiner—Caron Veynar
Assistant Examiner—Katrina A Kile

(57) **CLAIM**

The ornamental design for a mirror mounted snow and dirt deflecting device, as shown and described.

DESCRIPTION

FIG. 1 is a front elevated view of a mirror mounted snow and dirt deflecting device showing my new design;

FIG. 2 is a rear elevated view of the mirror mounted snow and dirt deflecting device;

FIG. 3 is a right side elevated view of the mirror mounted snow and dirt deflecting device;

FIG. 4 is a left side elevated view of the mirror mounted snow and dirt deflecting device;

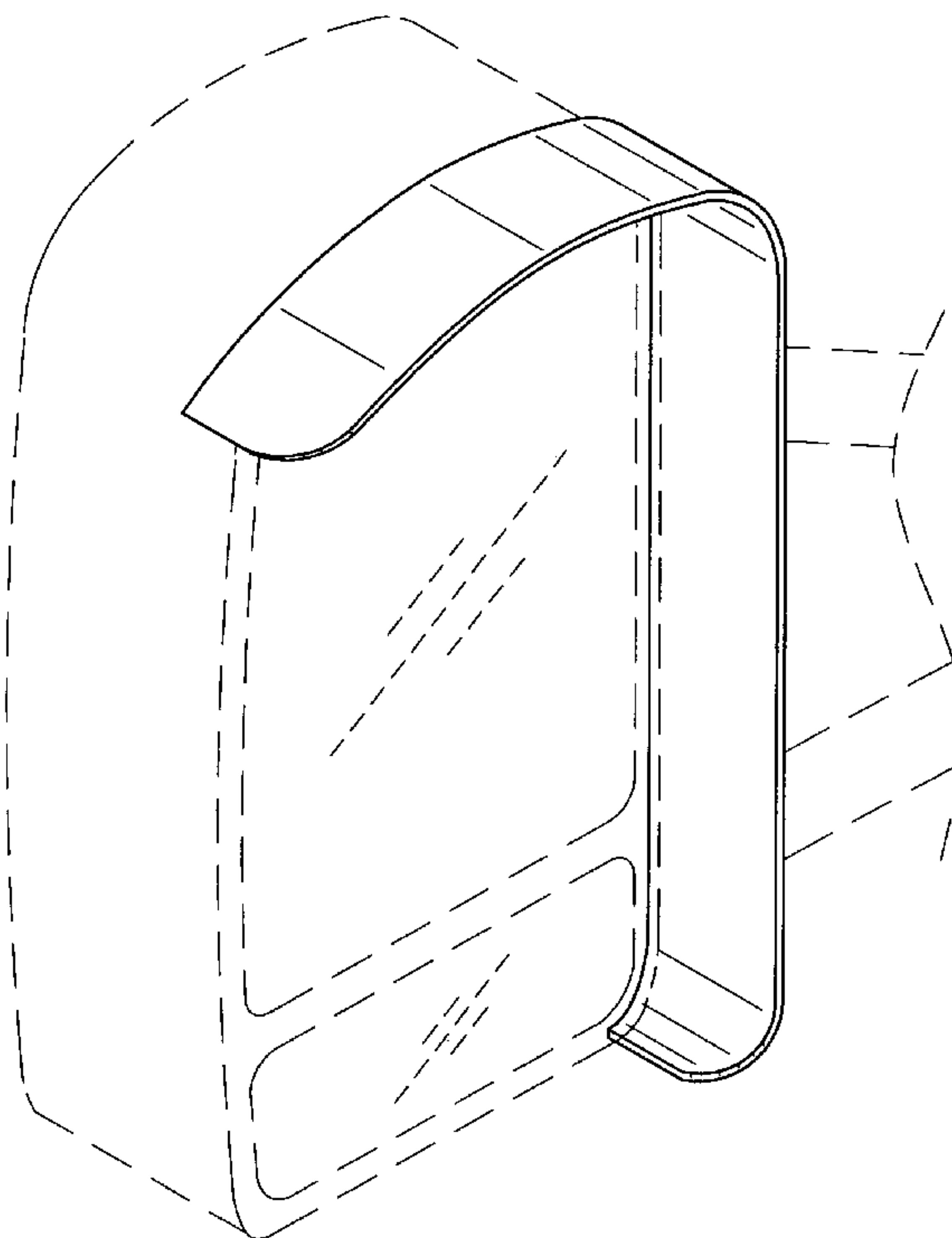
FIG. 5 is a bottom plan view of the mirror mounted snow and dirt deflecting device;

FIG. 6 is a top plan view of the mirror mounted snow and dirt deflecting device; and,

FIG. 7 is perspective in use view of the mirror mounted snow and dirt deflecting device.

In the drawings, the broken lines in FIG. 7 depict a vehicle mirror and form no part of the claimed design.

1 Claim, 3 Drawing Sheets



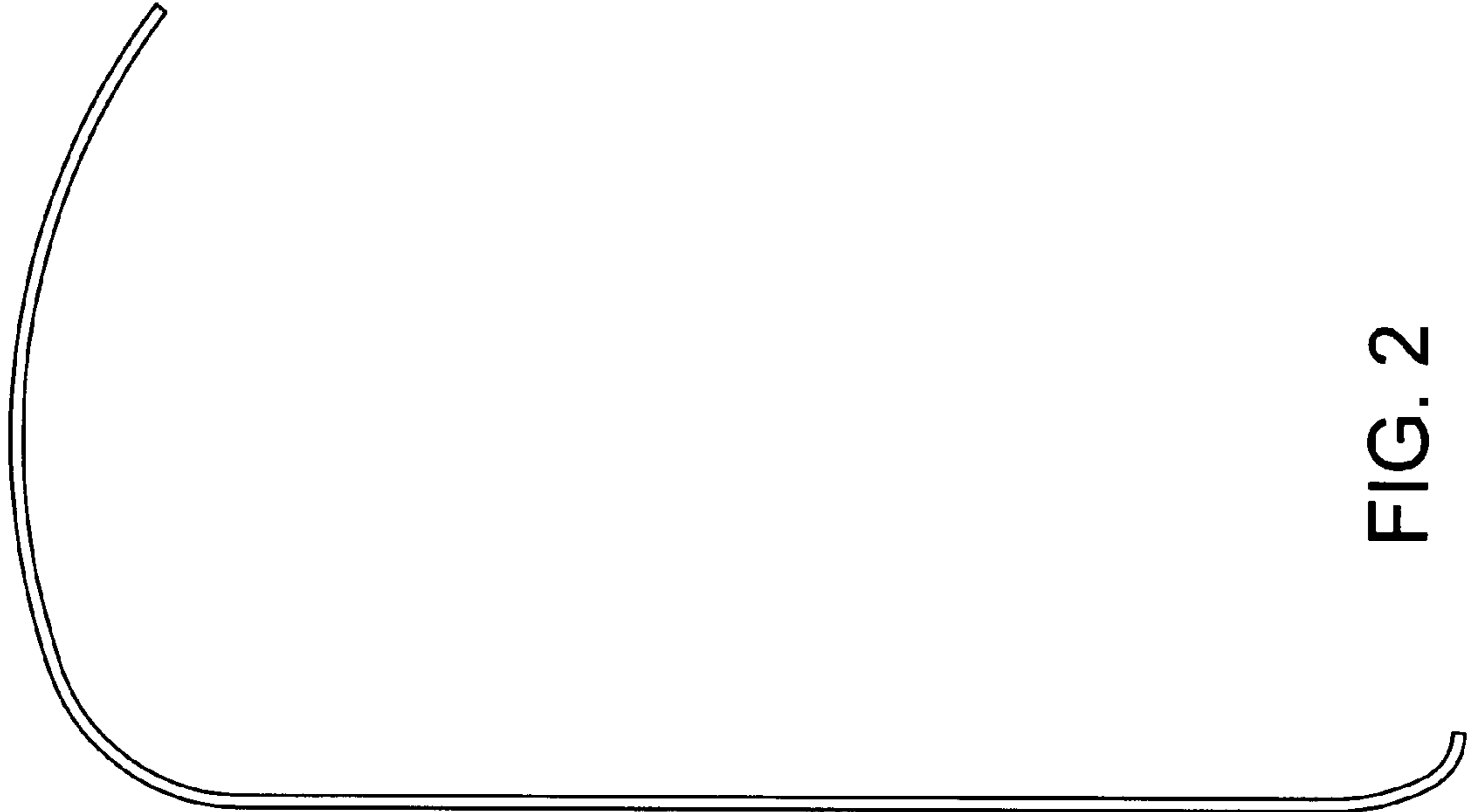


FIG. 1

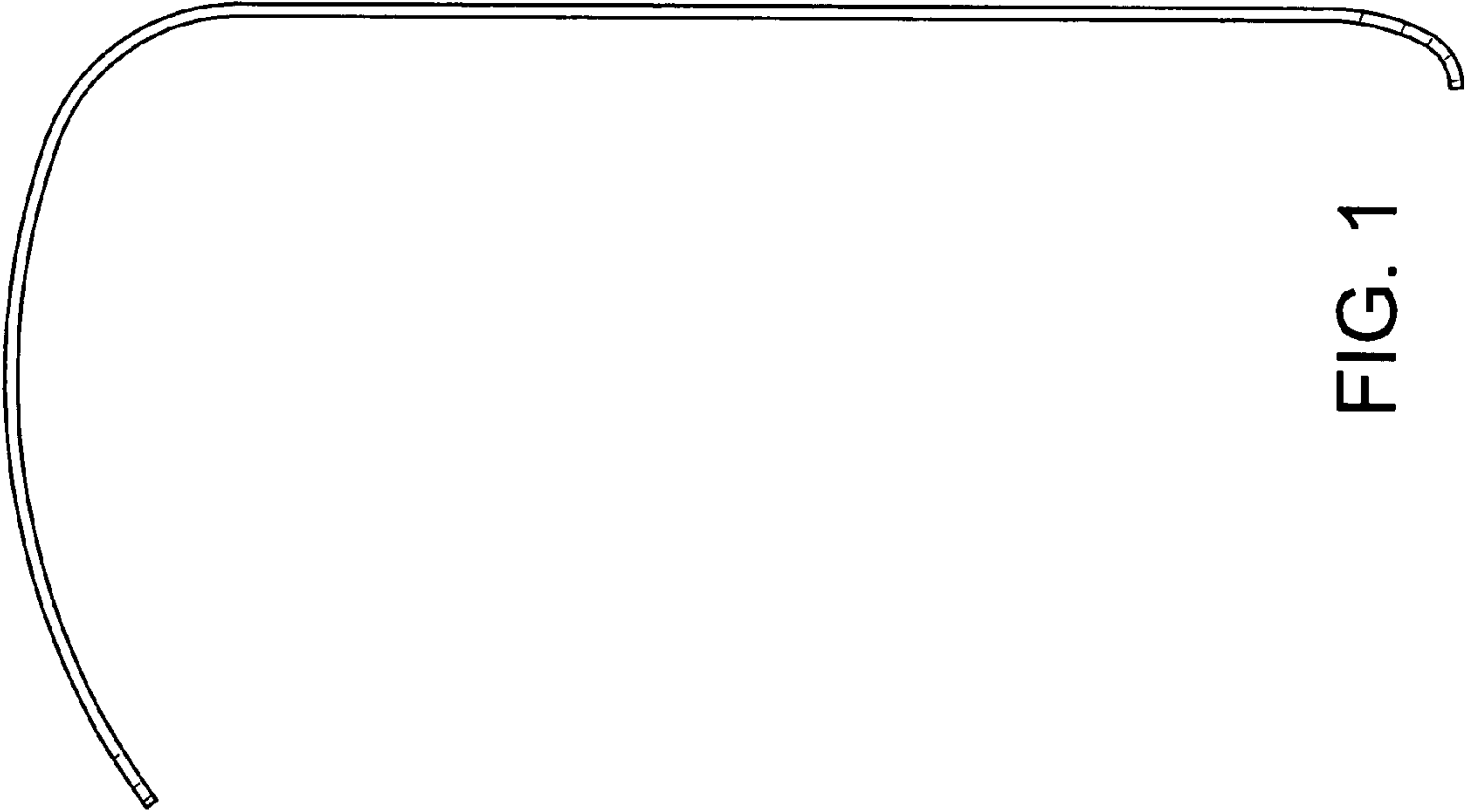


FIG. 2

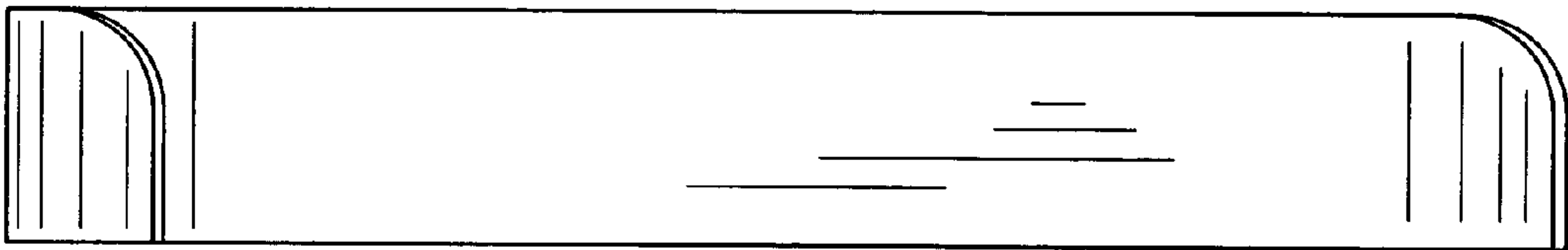


FIG. 3

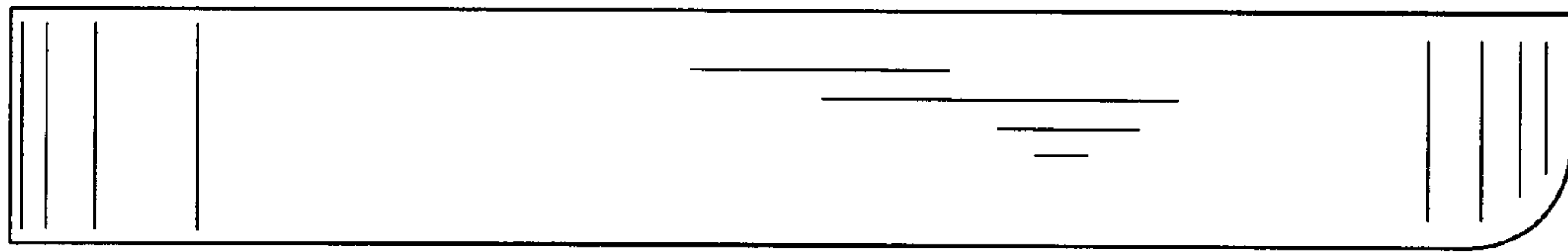


FIG. 4

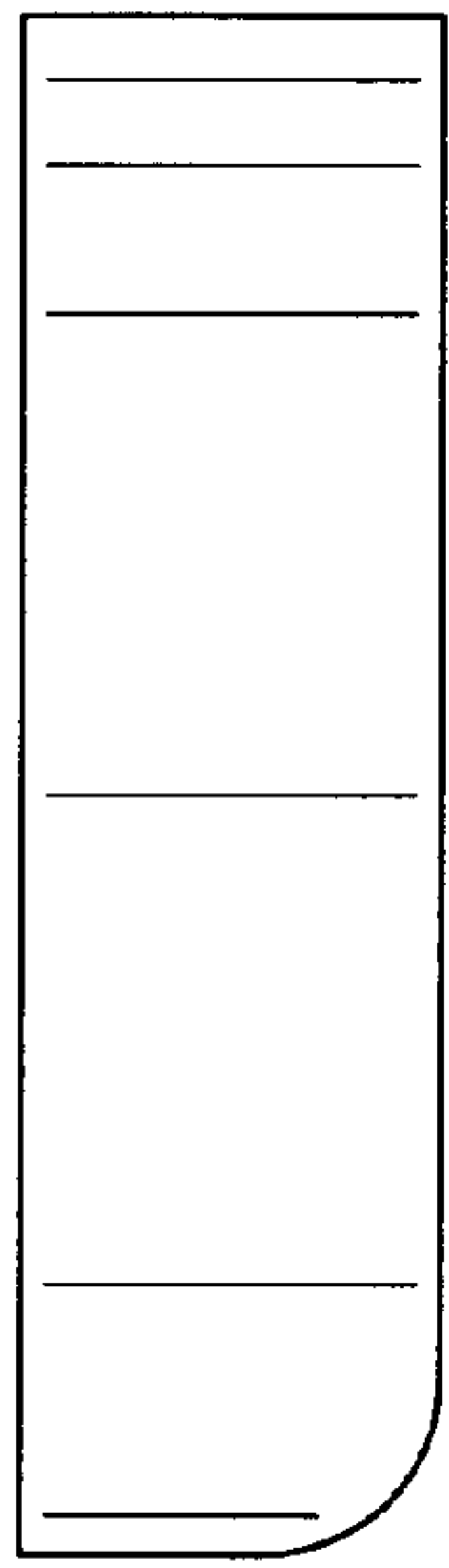


FIG. 5

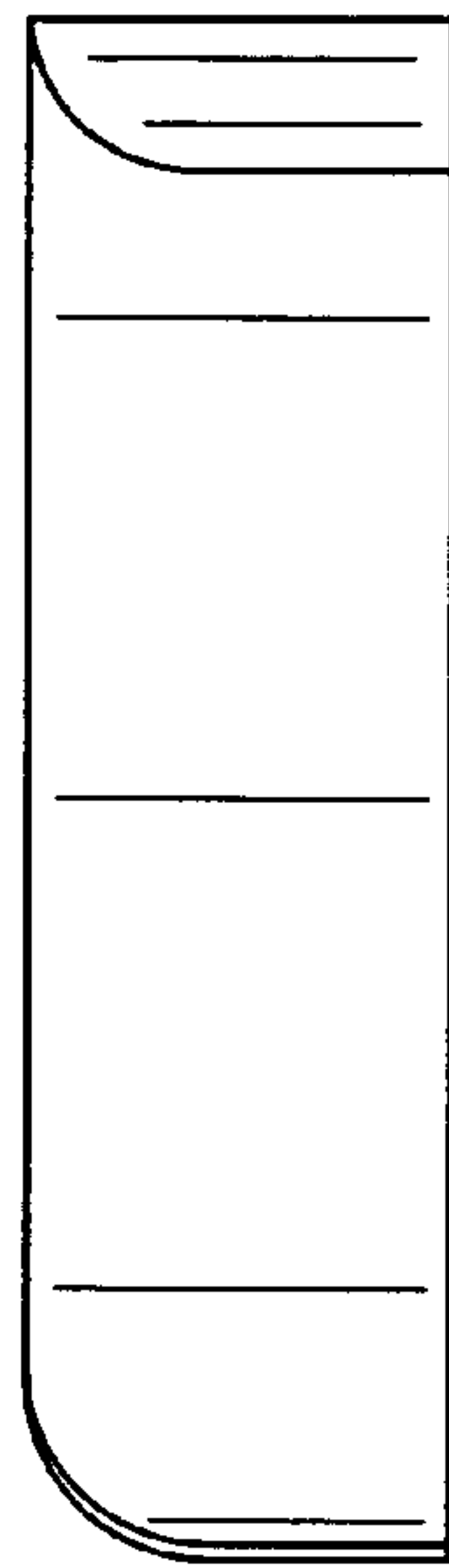


FIG. 6

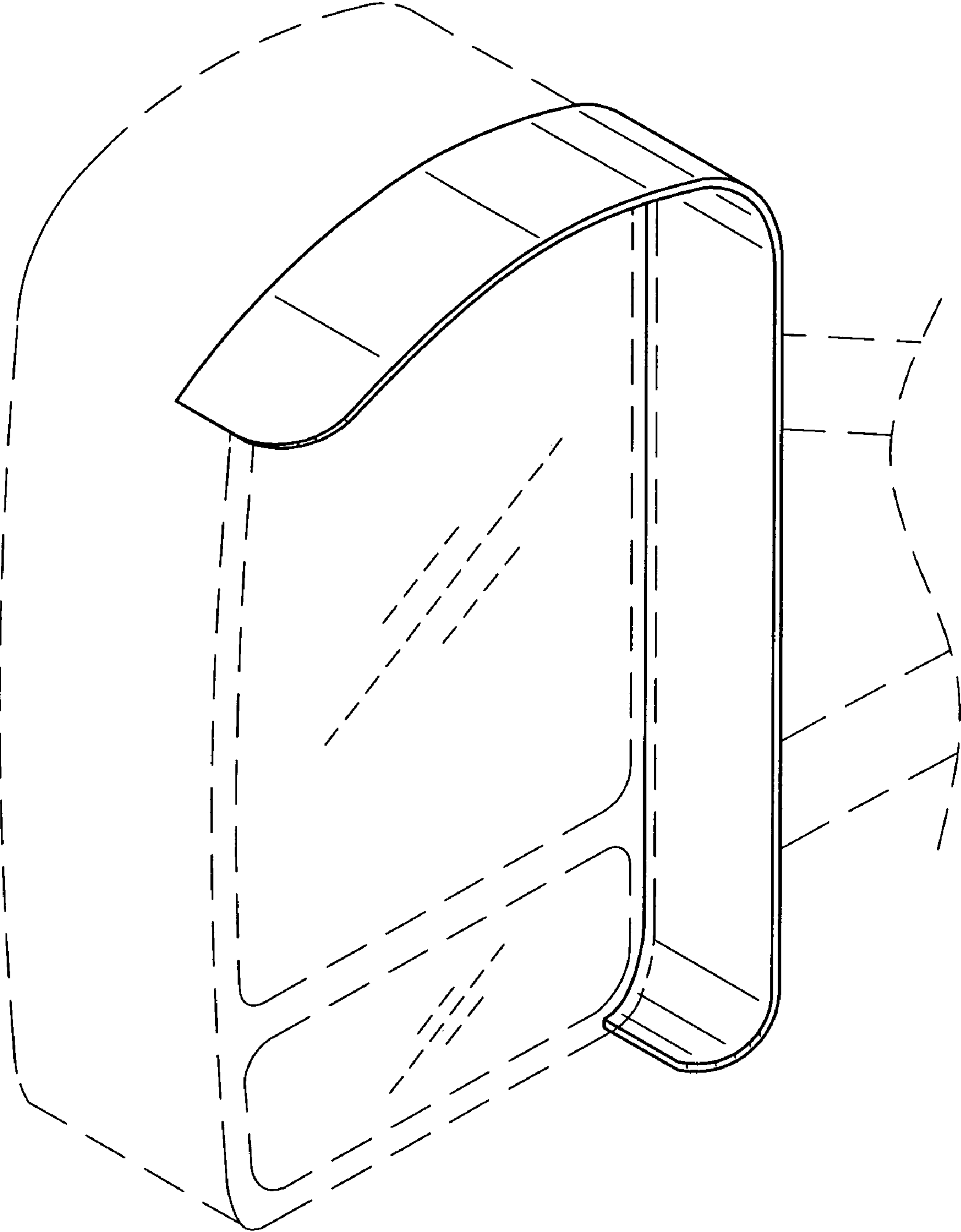


FIG. 7