



US00D620856S

(12) **United States Design Patent**
Kaoud et al.

(10) **Patent No.:** **US D620,856 S**
(45) **Date of Patent:** **** *Aug. 3, 2010**

(54) **VEHICLE WINDSHIELD**

(75) Inventors: **Ehab Kaoud**, Canton, MI (US); **Lon Zaback**, Farmington Hills, MI (US); **David Griffiths**, Ann Arbor, MI (US); **Bruce Williams**, Grosse Pointe Park, MI (US)

(73) Assignee: **Ford Global Technologies, LLC**, Dearborn, MI (US)

(*) Notice: This patent is subject to a terminal disclaimer.

(**) Term: **14 Years**

(21) Appl. No.: **29/248,121**

(22) Filed: **Jul. 28, 2006**

(51) **LOC (9) Cl.** **12-16**

(52) **U.S. Cl.** **D12/182**

(58) **Field of Classification Search** D12/182-183, D12/317; 219/203; 296/84.1, 96.19, 97.1, 296/95.1; 160/370.21, 370.22; 428/155, 428/172

See application file for complete search history.

(56) **References Cited**

U.S. PATENT DOCUMENTS

D55,444 S *	6/1920	Frederick	D12/182
3,338,293 A *	8/1967	Hohmann	160/370.21
3,810,180 A *	5/1974	Kunert et al.	343/713
D251,724 S *	5/1979	Karpowicz	D12/401
D312,440 S *	11/1990	Svensson	D12/182
4,993,774 A *	2/1991	Greenhalgh et al.	296/201
D453,130 S *	1/2002	Armstrong	D12/182
D470,805 S *	2/2003	Criger	D12/182

(Continued)

OTHER PUBLICATIONS

European First Drive: 2006 Ford Focus ST (Euro Spec), Nov. 28, 2005, <http://www.edmunds.com/insideline/do/Features/articleId=108108>.

(Continued)

Primary Examiner—Caron Veynar

Assistant Examiner—Abraham Bahta

(74) *Attorney, Agent, or Firm*—Damian Porcari

(57) **CLAIM**

The ornamental design for a vehicle windshield, as shown and described.

DESCRIPTION

FIG. 1 is a front elevational view of a vehicle windshield showing our new design;

FIG. 2 is an enlarged front elevational view of the vehicle windshield;

FIG. 3 is a left side elevational view of the vehicle windshield;

FIG. 4 is a right side elevational view of the vehicle windshield;

FIG. 5 is a top-down plan view of the vehicle windshield;

FIG. 6 is bottom-up plan view of the vehicle windshield;

FIG. 7 is a rear elevational view of the vehicle windshield;

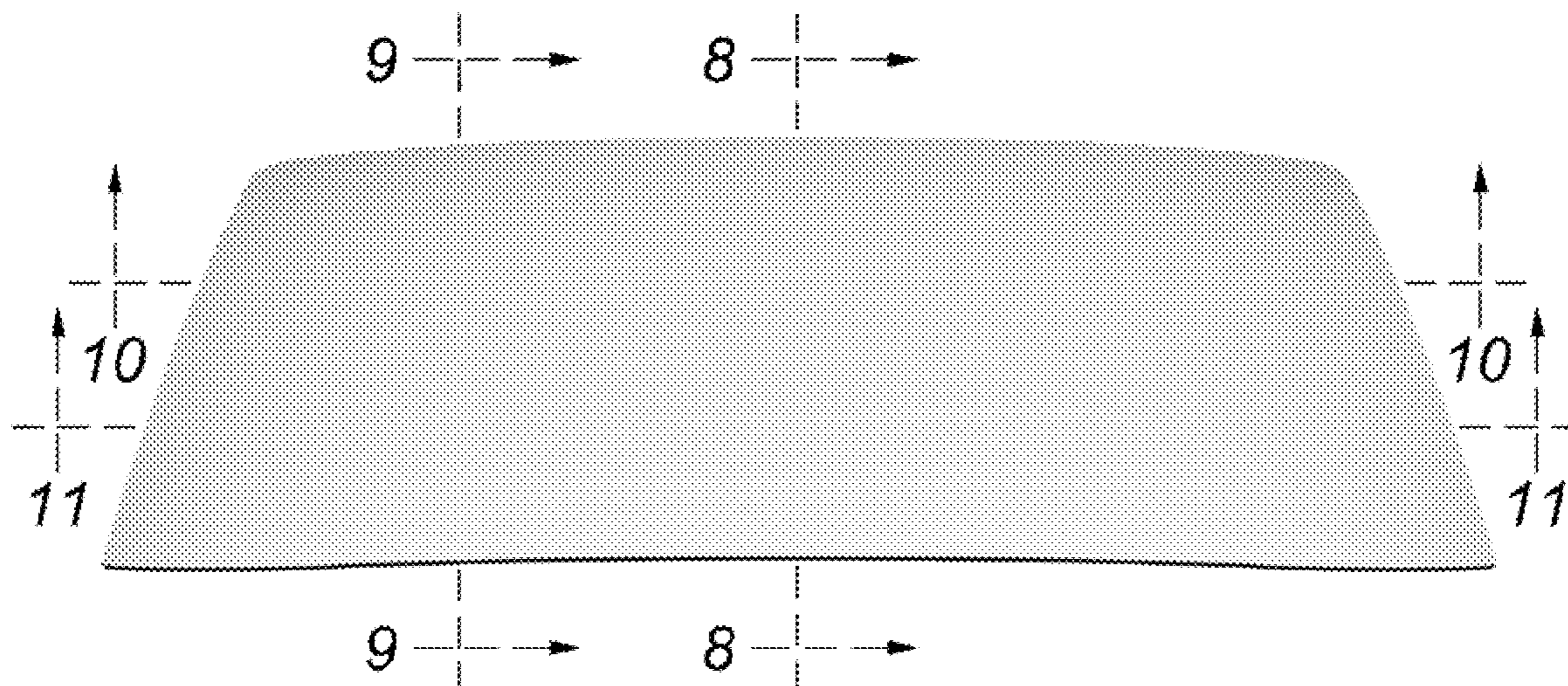
FIG. 8 is a cross sectional view of the vehicle windshield illustrated in FIG. 1 taken along the lines 8—8;

FIG. 9 is a cross sectional view of the vehicle windshield illustrated in FIG. 1 taken along the lines 9—9;

FIG. 10 is a cross sectional view of the vehicle windshield illustrated in FIG. 1 taken along the lines 10—10; and,

FIG. 11 is a cross sectional view of the vehicle windshield illustrated in FIG. 1 taken along the line 11—11.

1 Claim, 9 Drawing Sheets



U.S. PATENT DOCUMENTS

D522,941 S * 6/2006 Metros et al. D12/182
D539,190 S * 3/2007 Brown et al. D12/91

OTHER PUBLICATIONS

Spied: 2007 Ford Focus, Feb. 1, 2006, <http://www.caranddriver.com/carnews/10702/spied-2007-ford-focus.html>.

Ford Focus CC Spy Photos, Feb. 15, 2006, <http://www.worldcarfans.com/spyphotos.cfm/country/acf/spyphotoID/6060215.001/ford/ford-focus-cc-spy-photos>.

Spy Photos: Ford Focus Coupe Cabriolet, Feb. 16, 2006, <http://www.jalopnik.com/cars/focus/spy-photos-ford-focus-coupe-cabriolet-155192.php>.

07-08 focus sedan pics, Jul. 19, 2006, <http://forums.focaljet.com/team-pit-stop/519600-07-08-focus-sedan-pics.html>.

Autoblog, Spy Shots: 2008 Ford Focus, Jul. 21, 2006, <http://www.autoblog.com/2006/07/21/spy-shots-2008-ford-focus>.

Spy Shots: 2008 Ford Focus, Jul. 21, 2006, <http://www.varoomvroom.com/spy-shots-2008-ford-focus-3123>.

Ford Focus 4x4 on the way, Jul. 26, 2006, <http://www.autospies.com/news/Ford-Focus-4x4-on-the-way-7135>.

Sneak Peek: 2008 Ford Focus, Jul. 26, 2006, <http://www.detnews.com/apps/pbcs.dll/article?AID=/20060726/AUTO03/607260310&SearchID=73252435264334>.

2006 Ford Focus Exterior Photos, <http://www.automotive.com/2006/12/ford/focus/photos/exterior.html>.

* cited by examiner

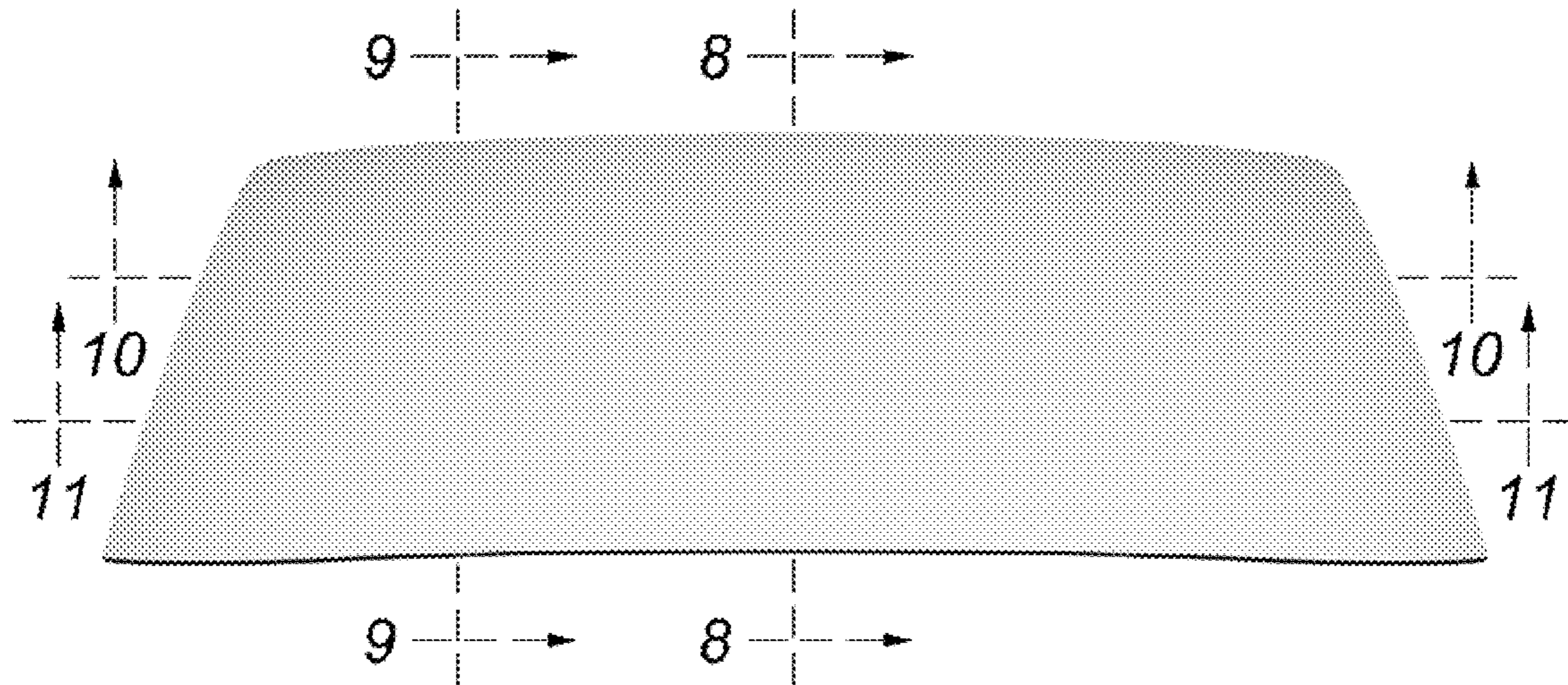


Figure 1

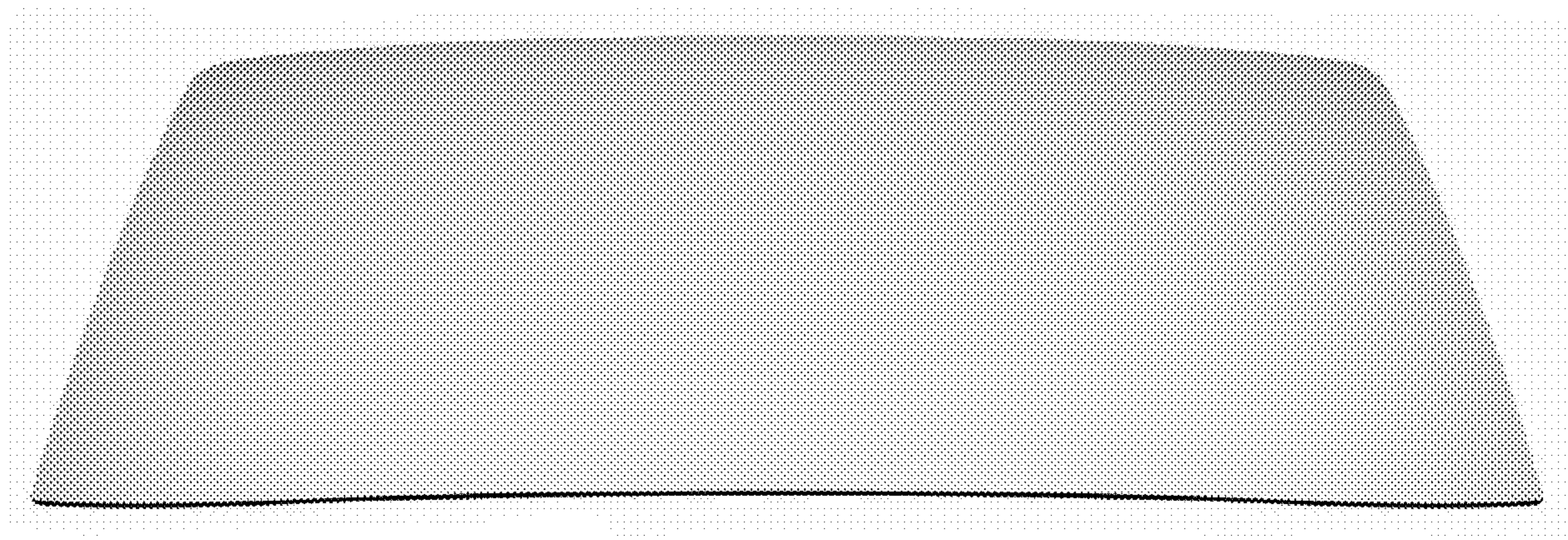
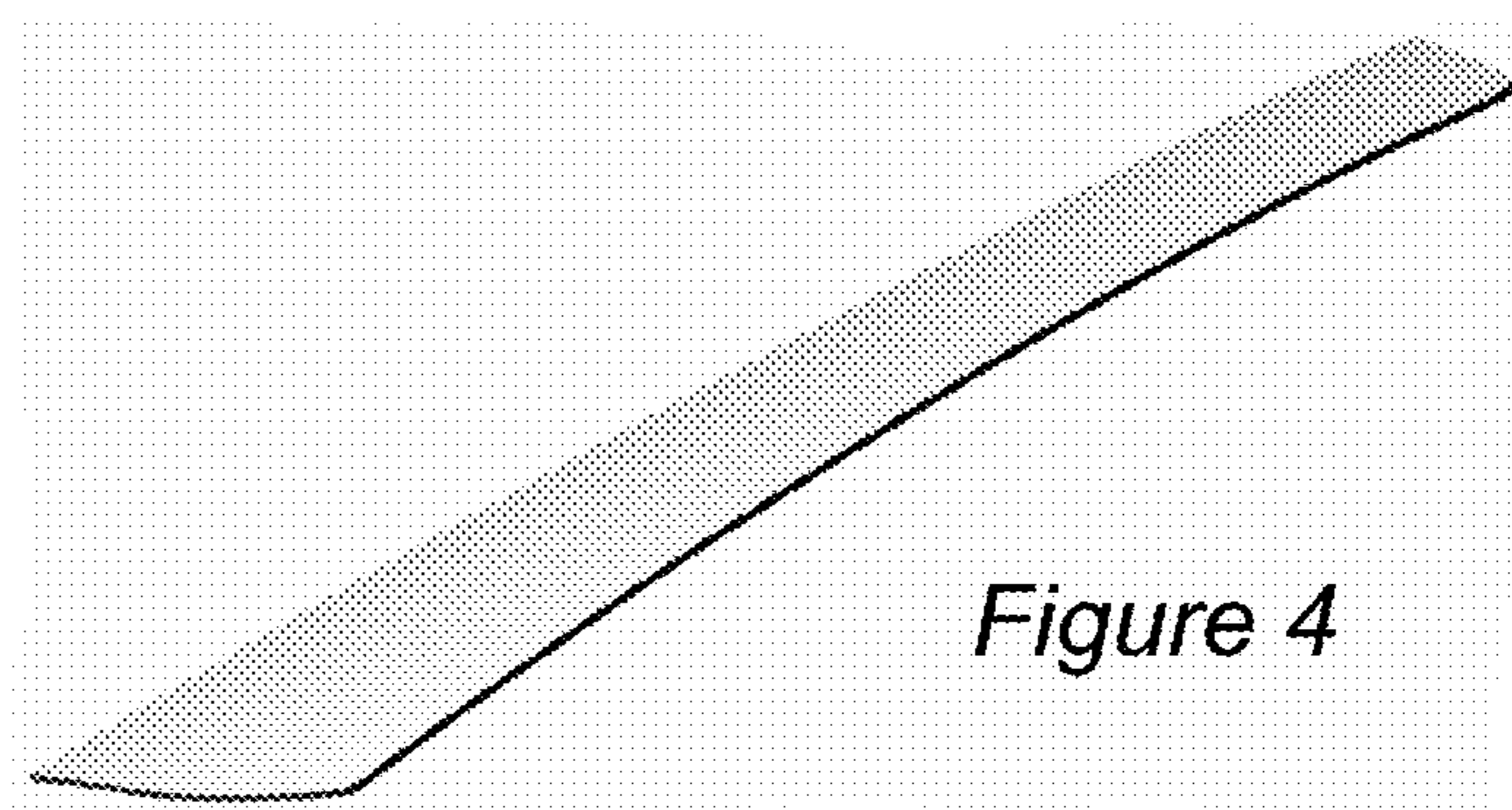
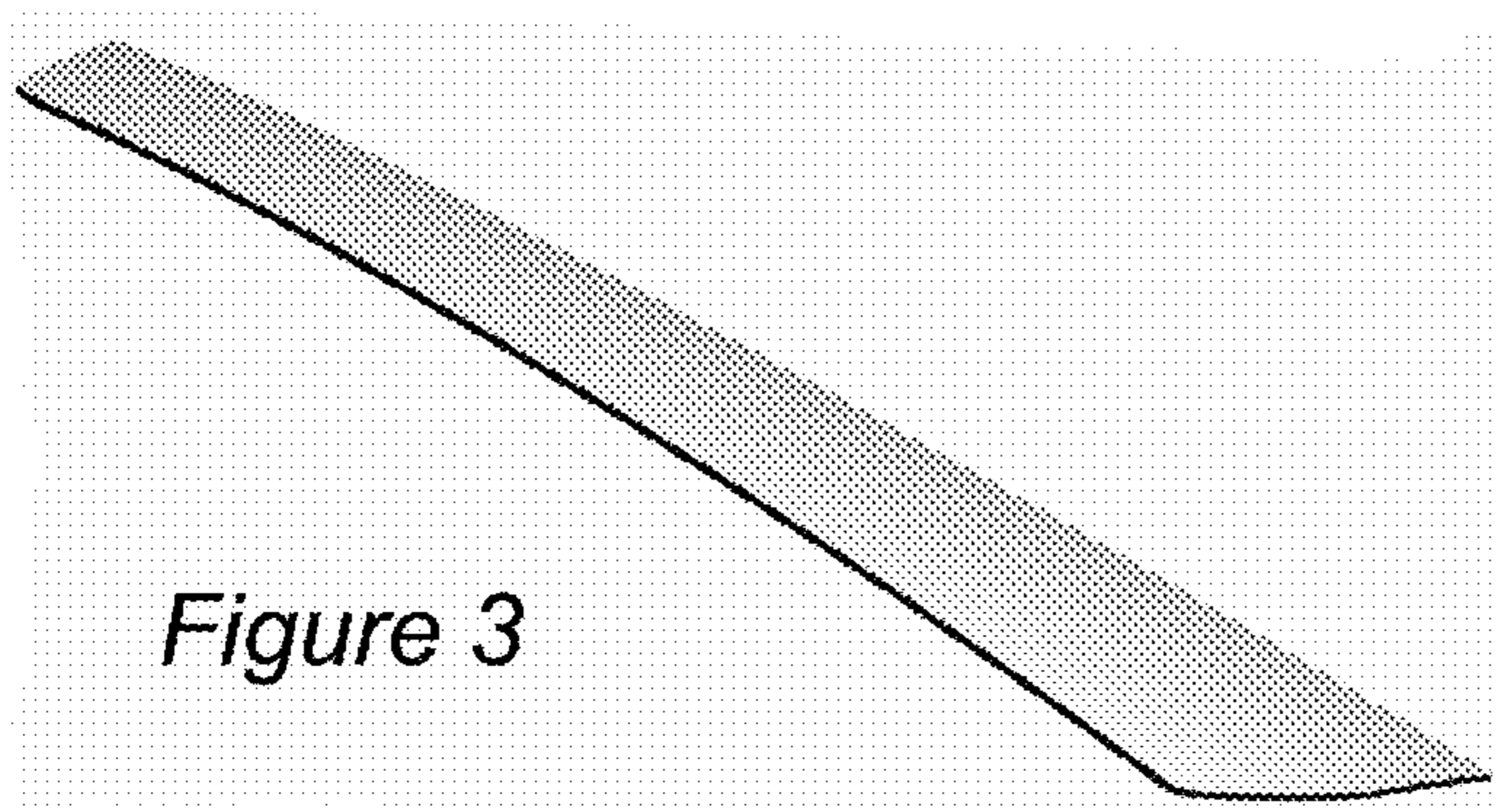


Figure 2



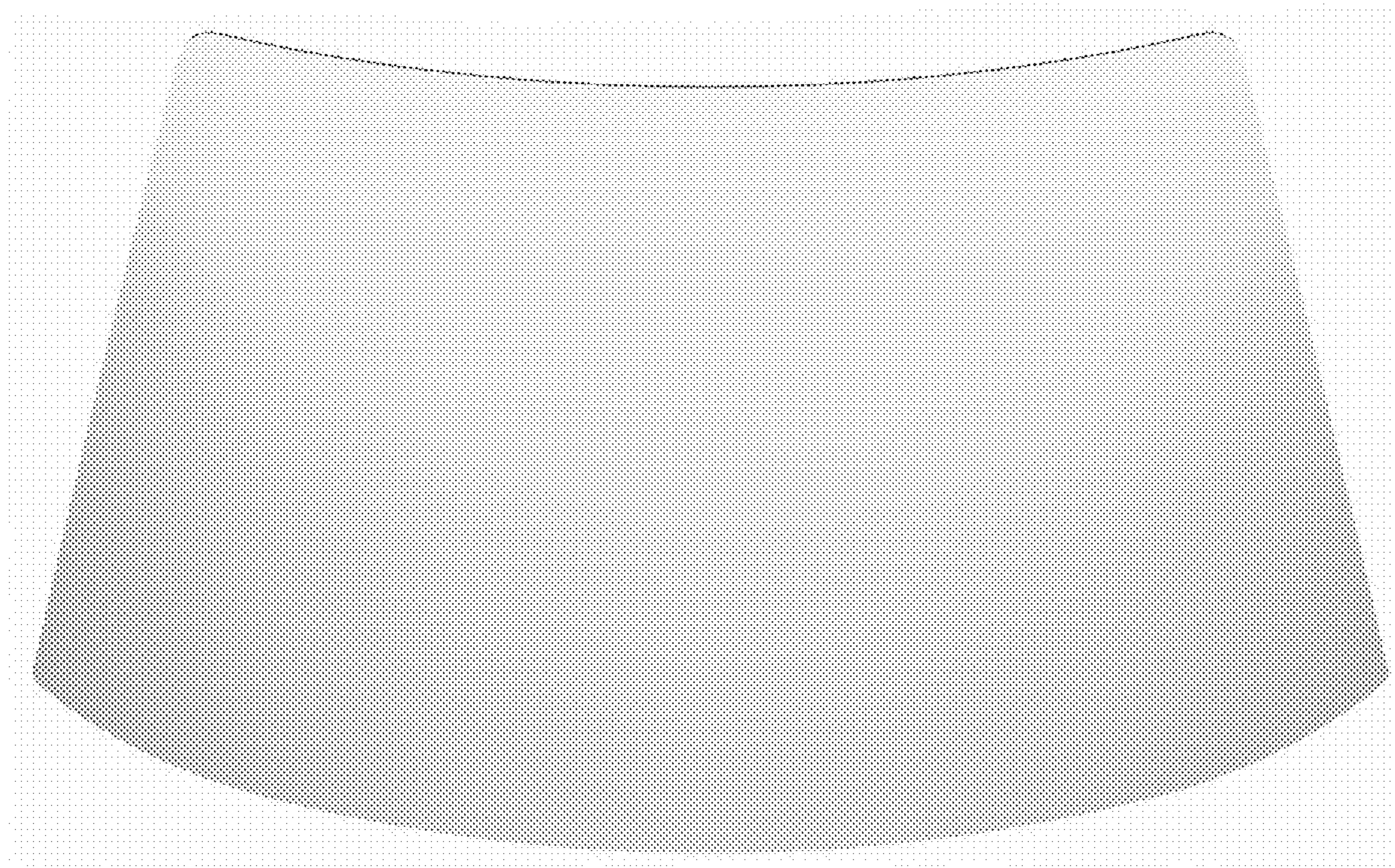


Figure 5

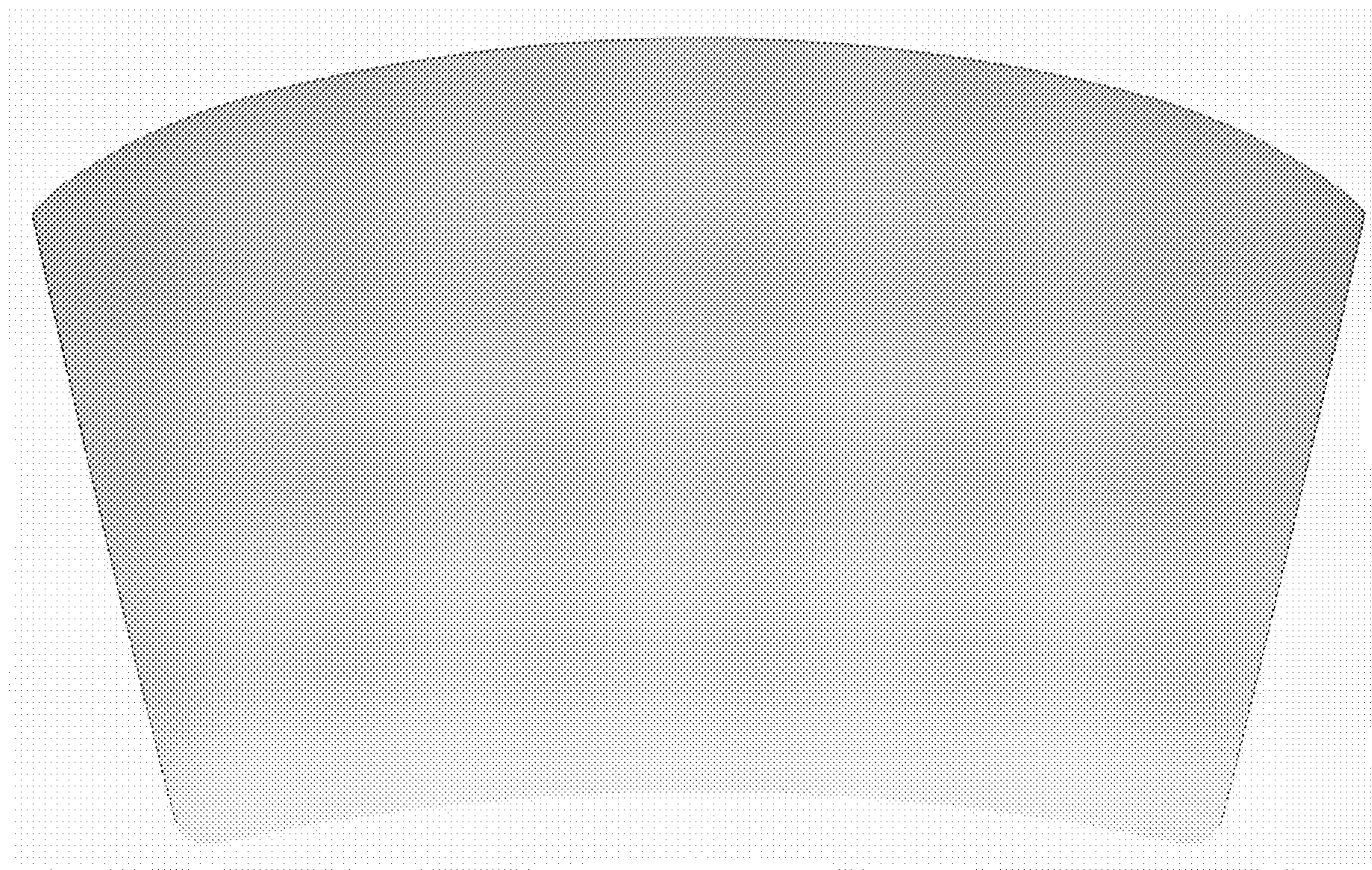


Figure 6

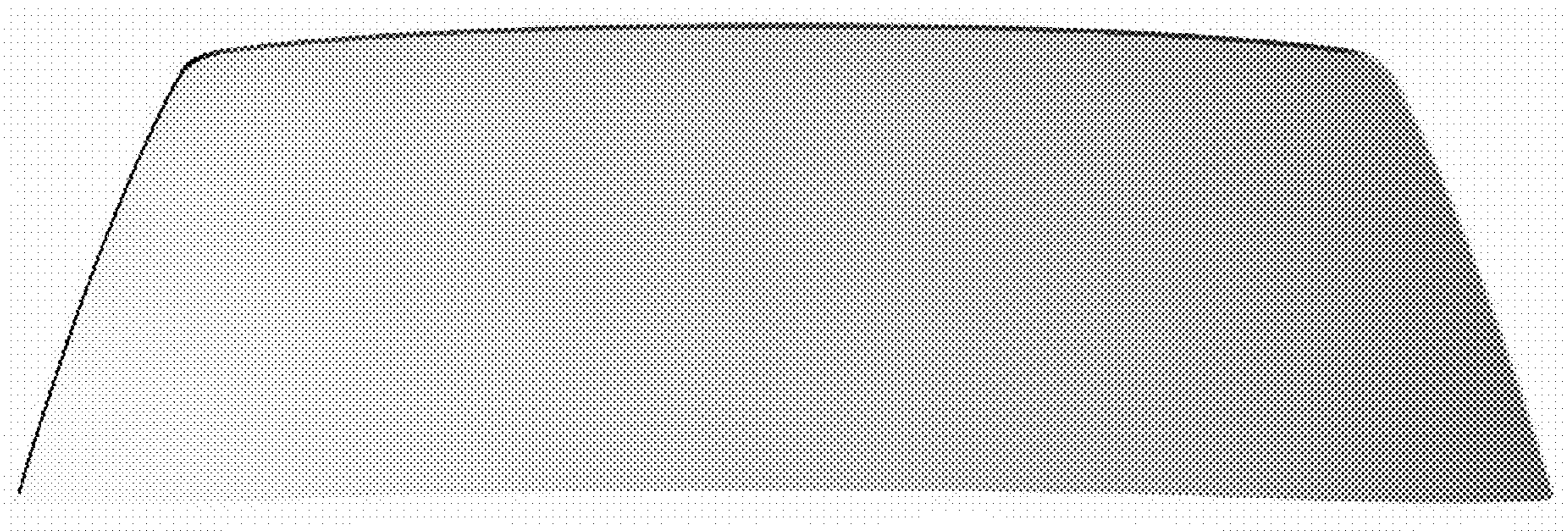


Figure 7

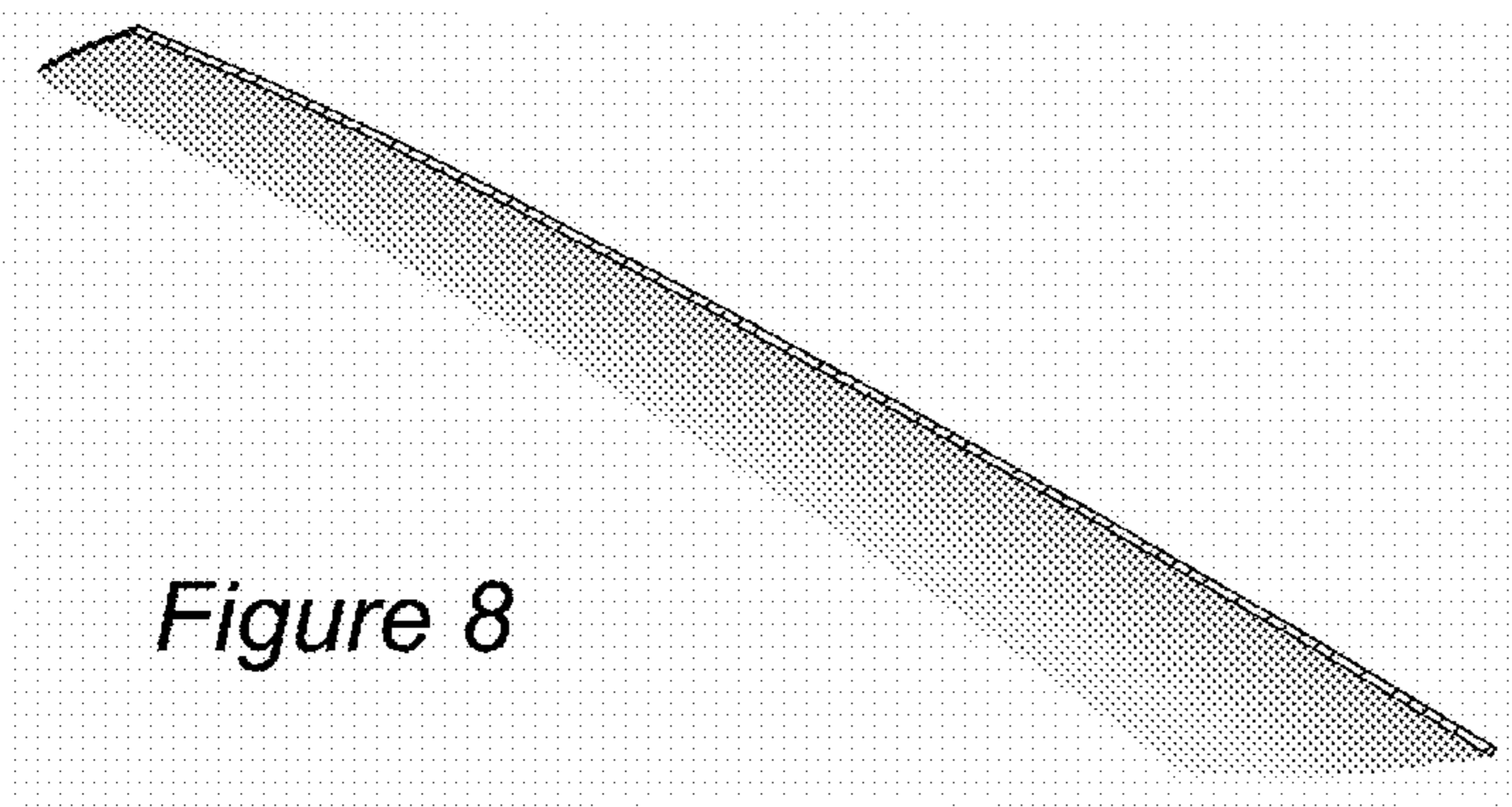


Figure 8

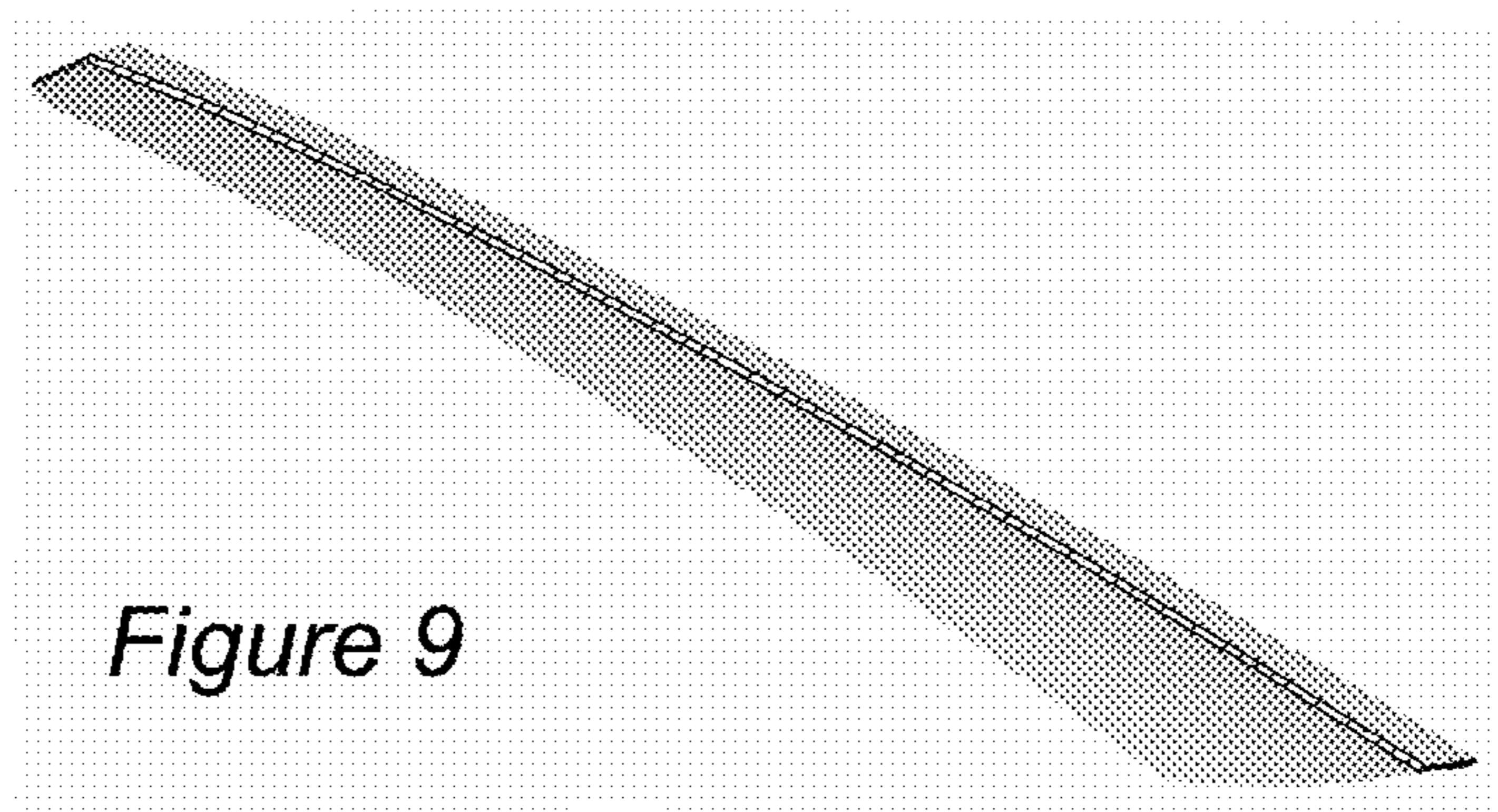


Figure 9

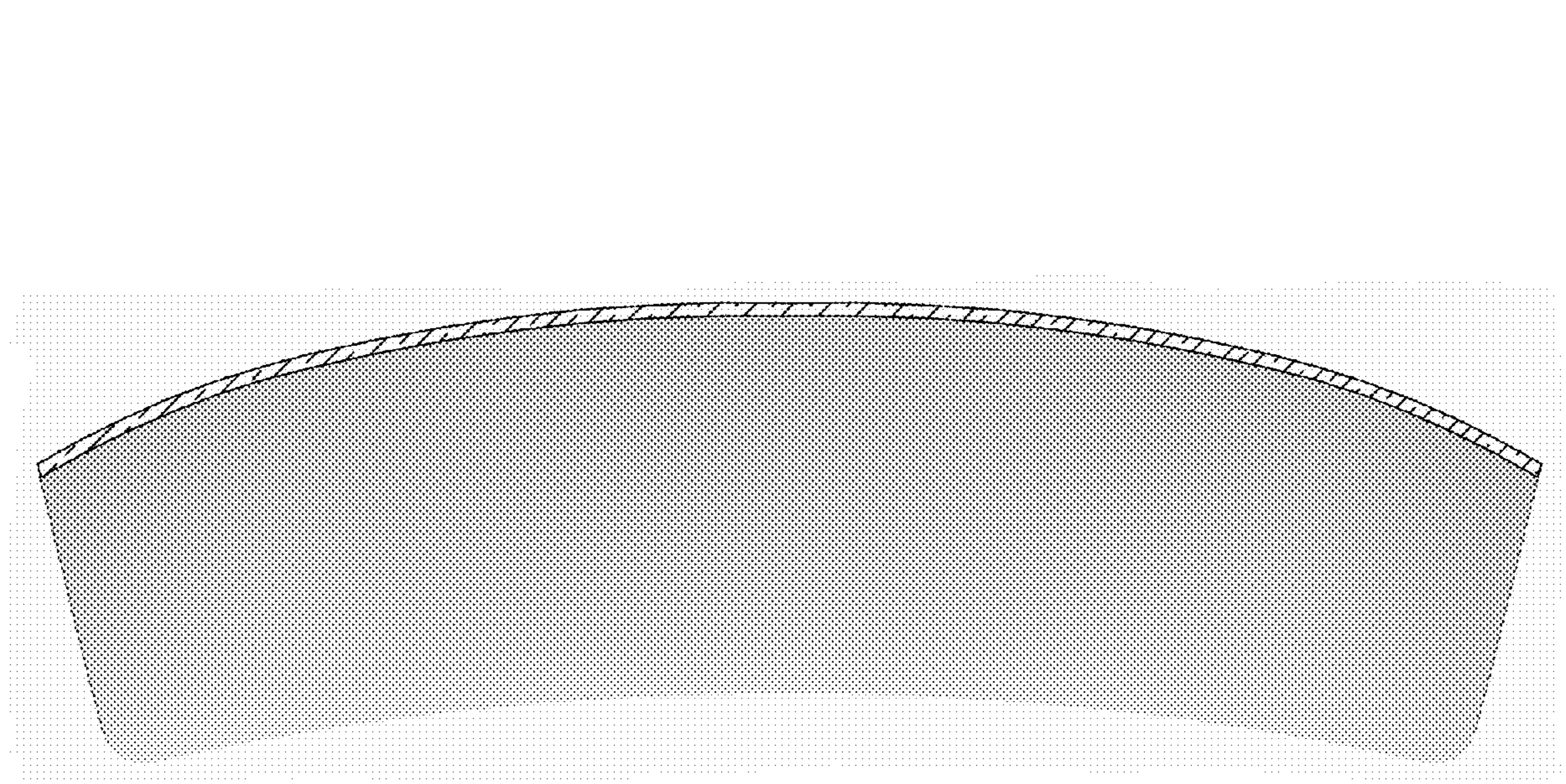


Figure 10

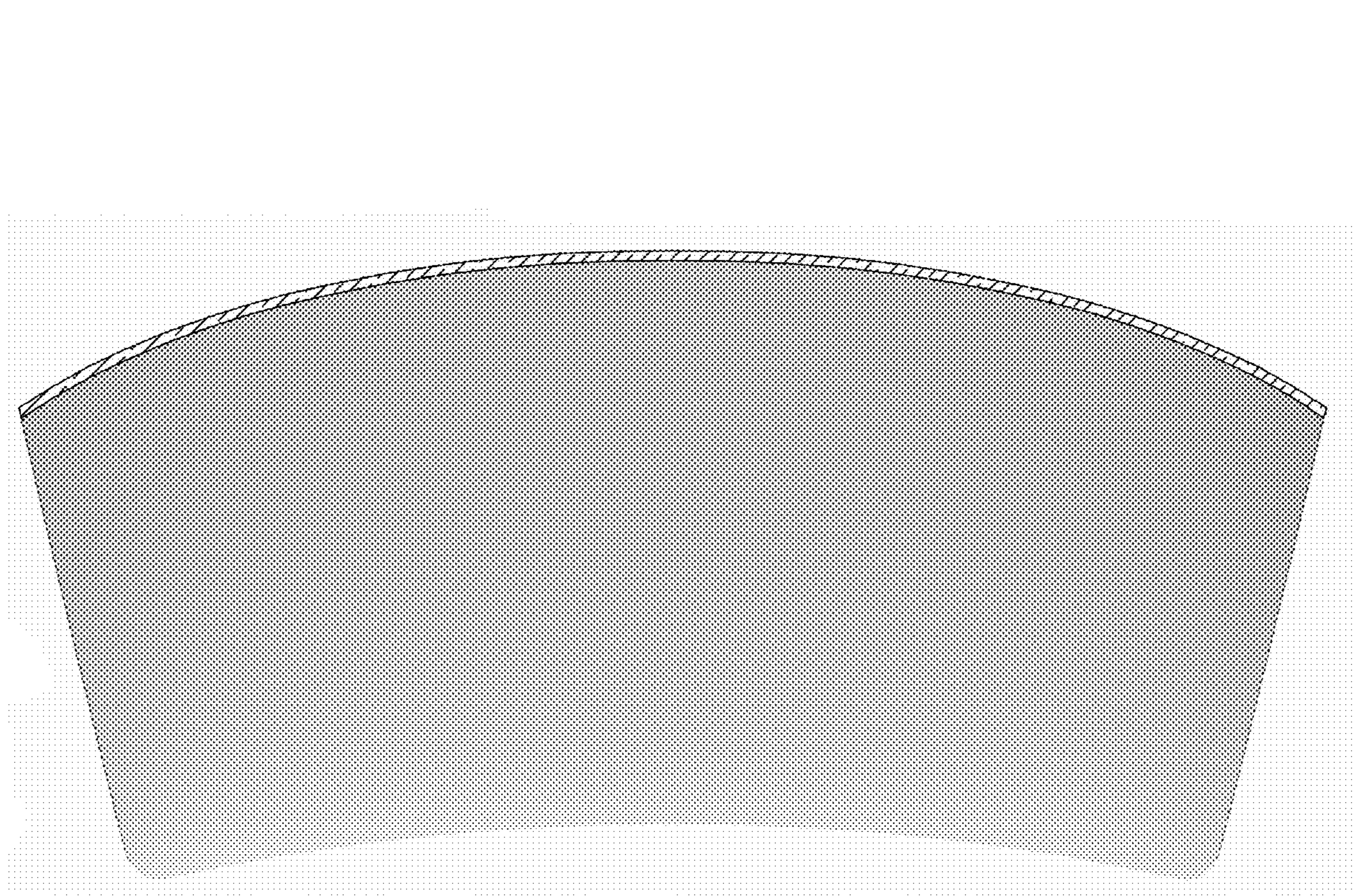


Figure 11