



US00D620855S

(12) **United States Design Patent**  
**Waclawski et al.**

(10) **Patent No.:** **US D620,855 S**

(45) **Date of Patent:** **\*\* Aug. 3, 2010**

(54) **FENDER FOR AUTOMOTIVE VEHICLE**

D160,465 S \* 10/1950 Bannister ..... D12/190

(75) Inventors: **Michael J. Waclawski**, Sammamish, WA (US); **Jason G. Robson**, Bothell, WA (US)

\* cited by examiner

*Primary Examiner*—Caron Veynar  
*Assistant Examiner*—Katrina A Kile

(73) Assignee: **Modern Classic Enterprises, LLC**, Bothell, WA (US)

(74) *Attorney, Agent, or Firm*—Lawrence E. Laubscher, Sr.; Lawrence E. Laubscher, Jr.

(\*\*) Term: **14 Years**

(57) **CLAIM**

(21) Appl. No.: **29/353,760**

The ornamental design for a fender for automotive vehicle, as shown.

(22) Filed: **Jan. 13, 2010**

**DESCRIPTION**

(51) **LOC (9) Cl.** ..... **12-08**

FIG. 1 is a perspective view of the fender of the present invention, which is adapted for use with an automotive vehicle, as shown in phantom;

(52) **U.S. Cl.** ..... **D12/181**

(58) **Field of Classification Search** ..... D12/181, D12/191, 196, 400, 190, 88; 280/848, 770, 280/727; 296/91, 180.1–180.5; 180/903  
See application file for complete search history.

FIG. 2 is a front perspective view of the fender;

FIG. 3 is a top view of the fender;

FIG. 4 is a front elevation view of the fender;

FIG. 5 is a bottom view of the fender;

FIG. 6 is a rear elevation view of the fender;

FIG. 7 is a left hand view of the fender; and,

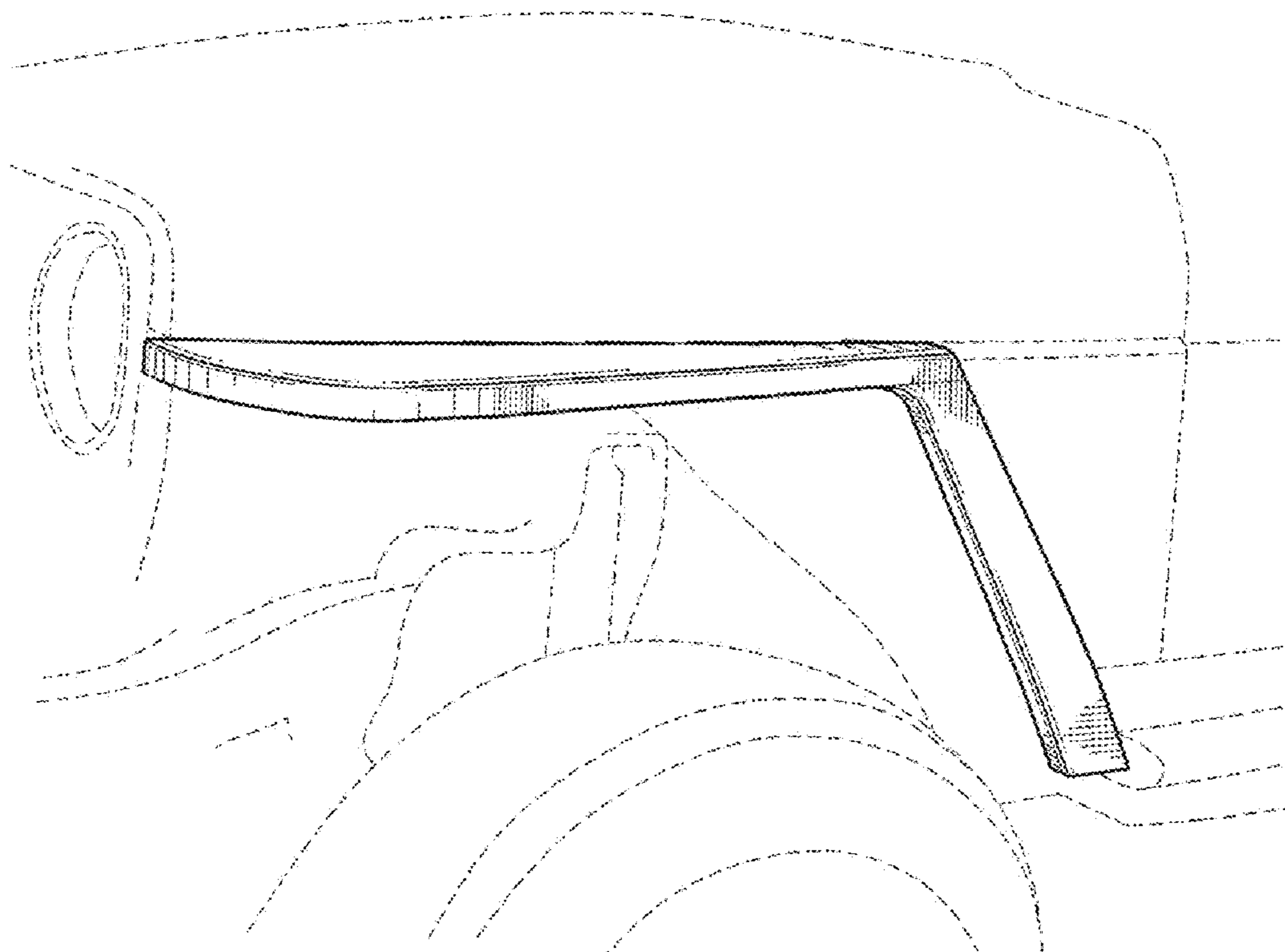
FIG. 8 is a right hand end view of the fender.

(56) **References Cited**

**U.S. PATENT DOCUMENTS**

- 157,334 A \* 12/1874 Bookman ..... 210/182
- 166,029 A \* 7/1875 Dieterich ..... 72/307
- D136,527 S \* 10/1943 Mulliner ..... D12/181
- D157,425 S \* 2/1950 Pinczynska ..... D12/191

**1 Claim, 5 Drawing Sheets**



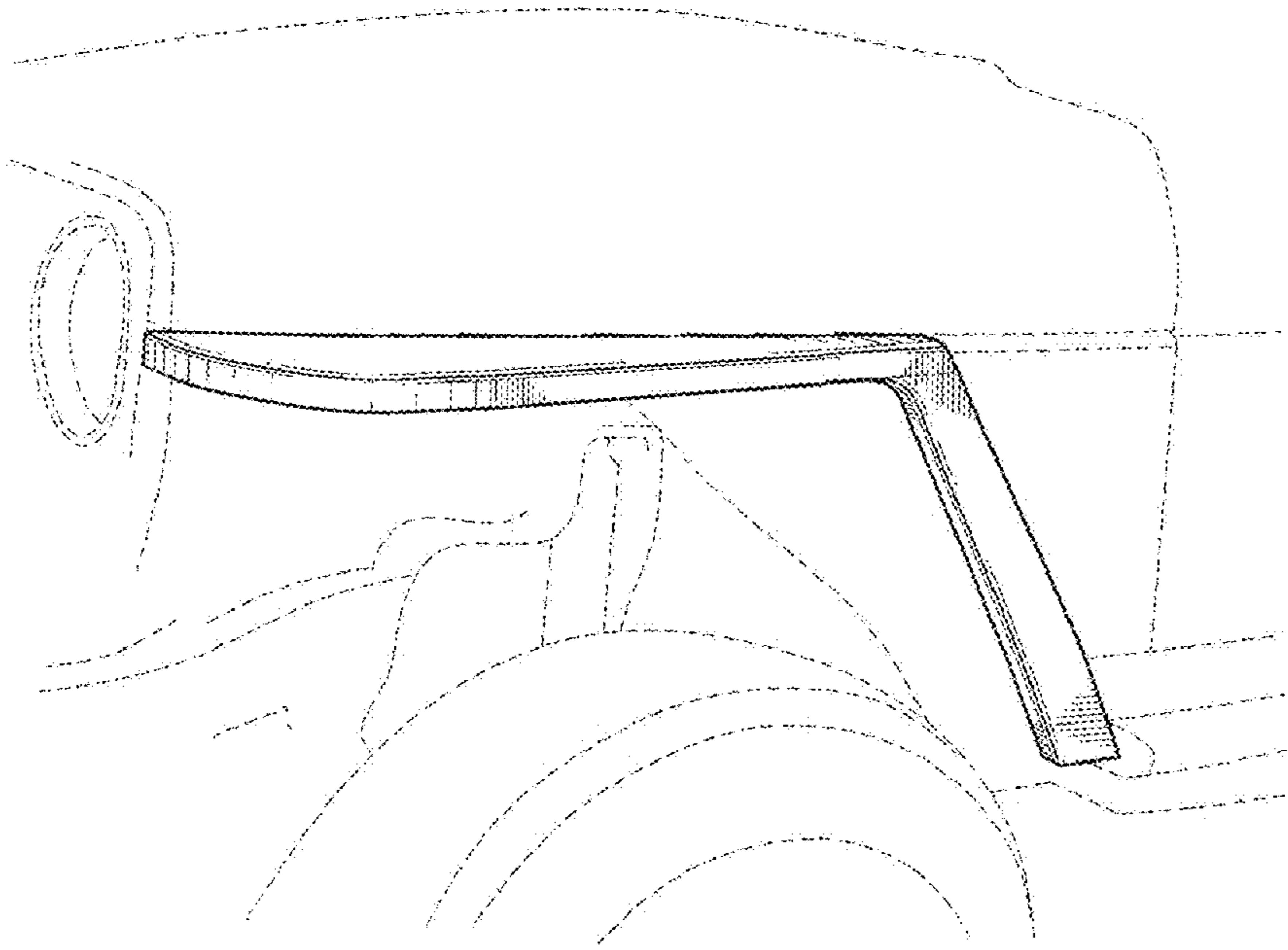
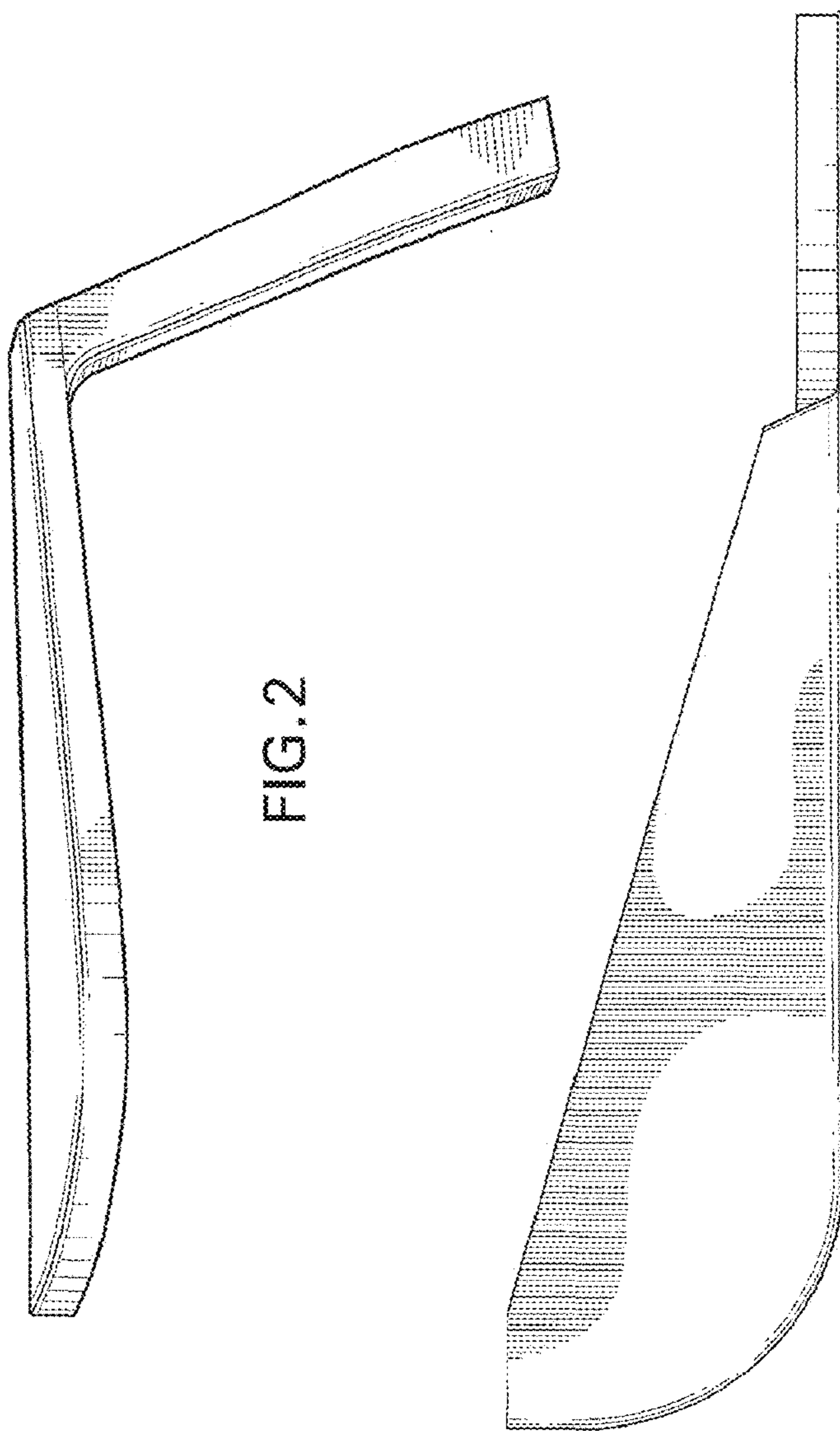


FIG. 1



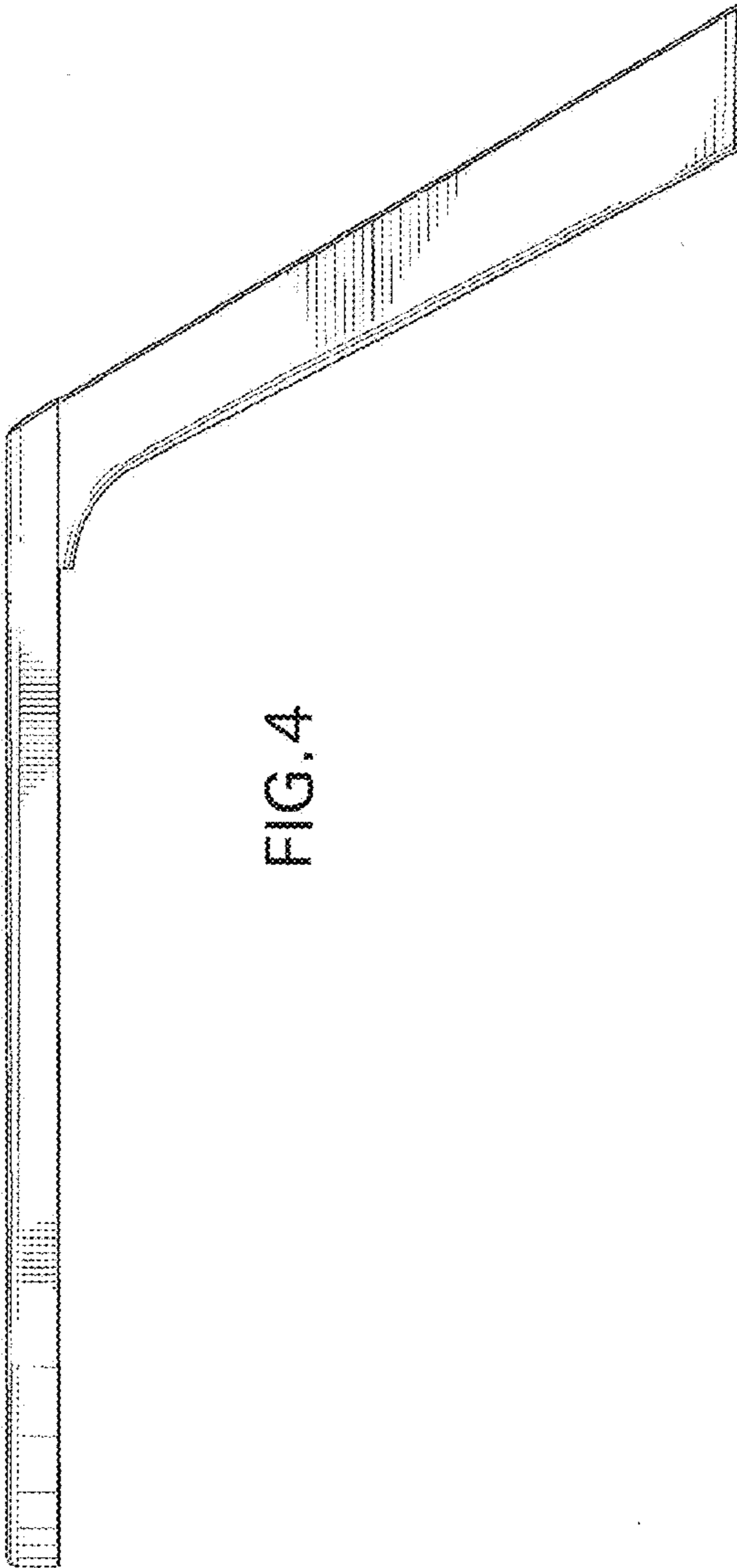


FIG. 4

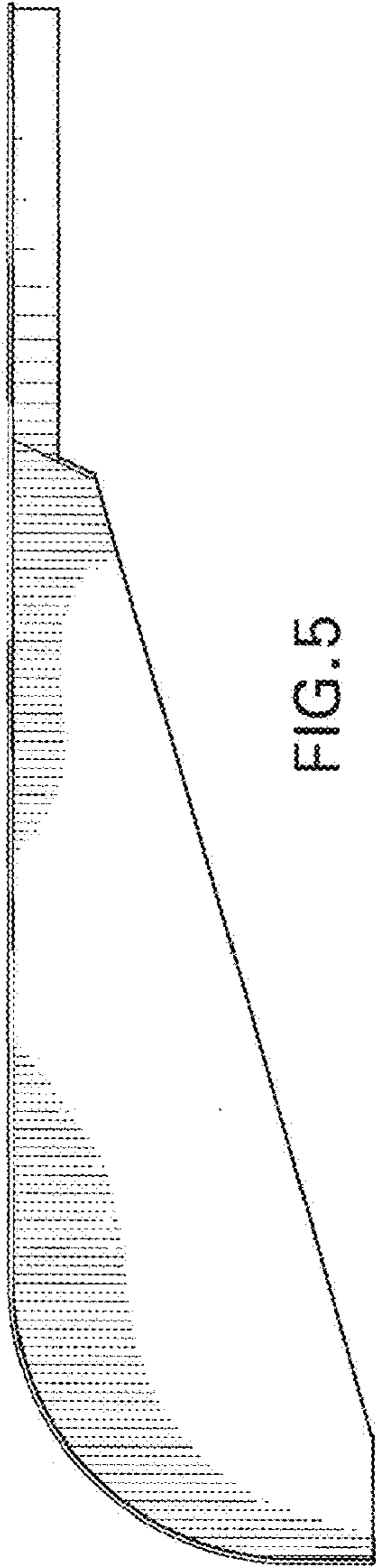


FIG. 5

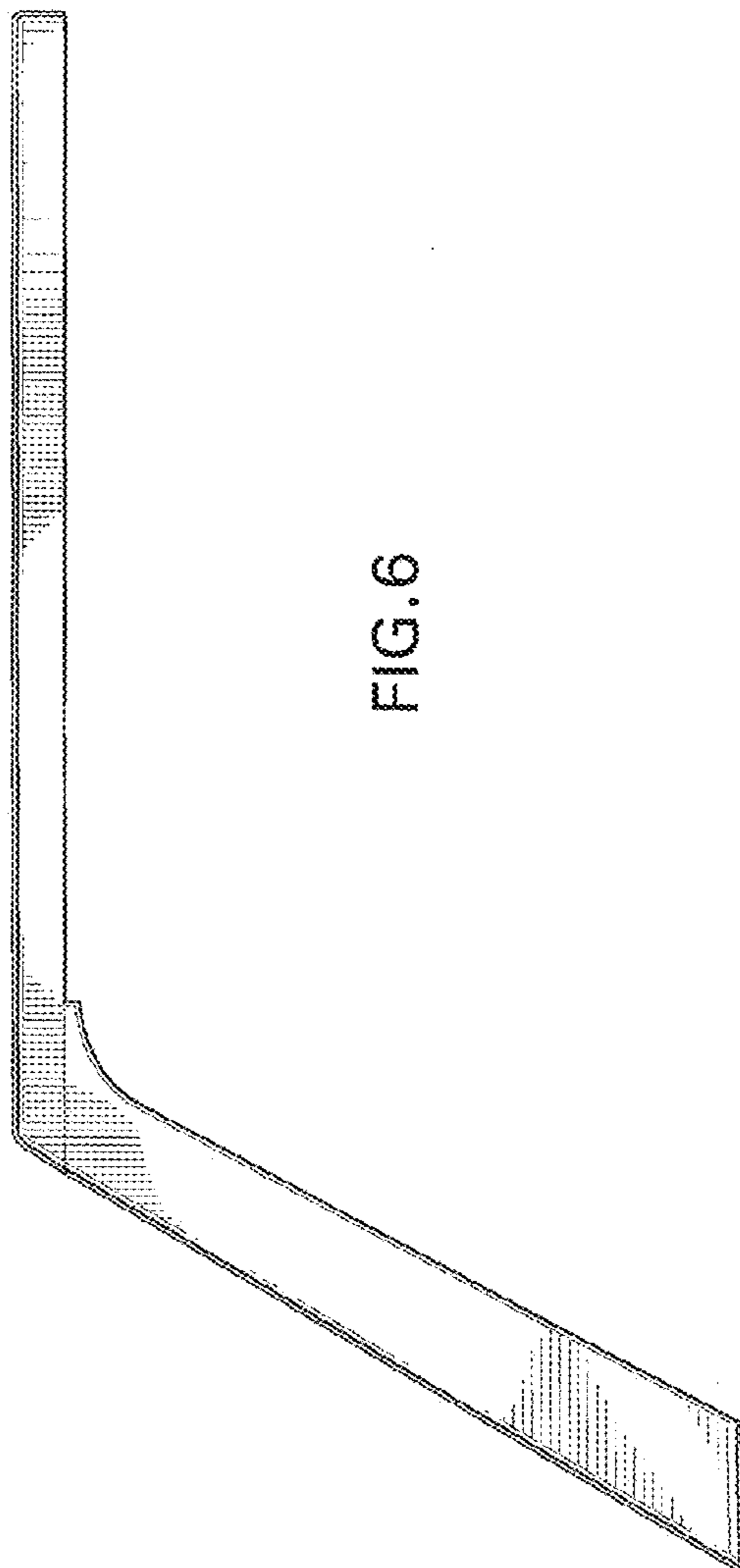


FIG. 6

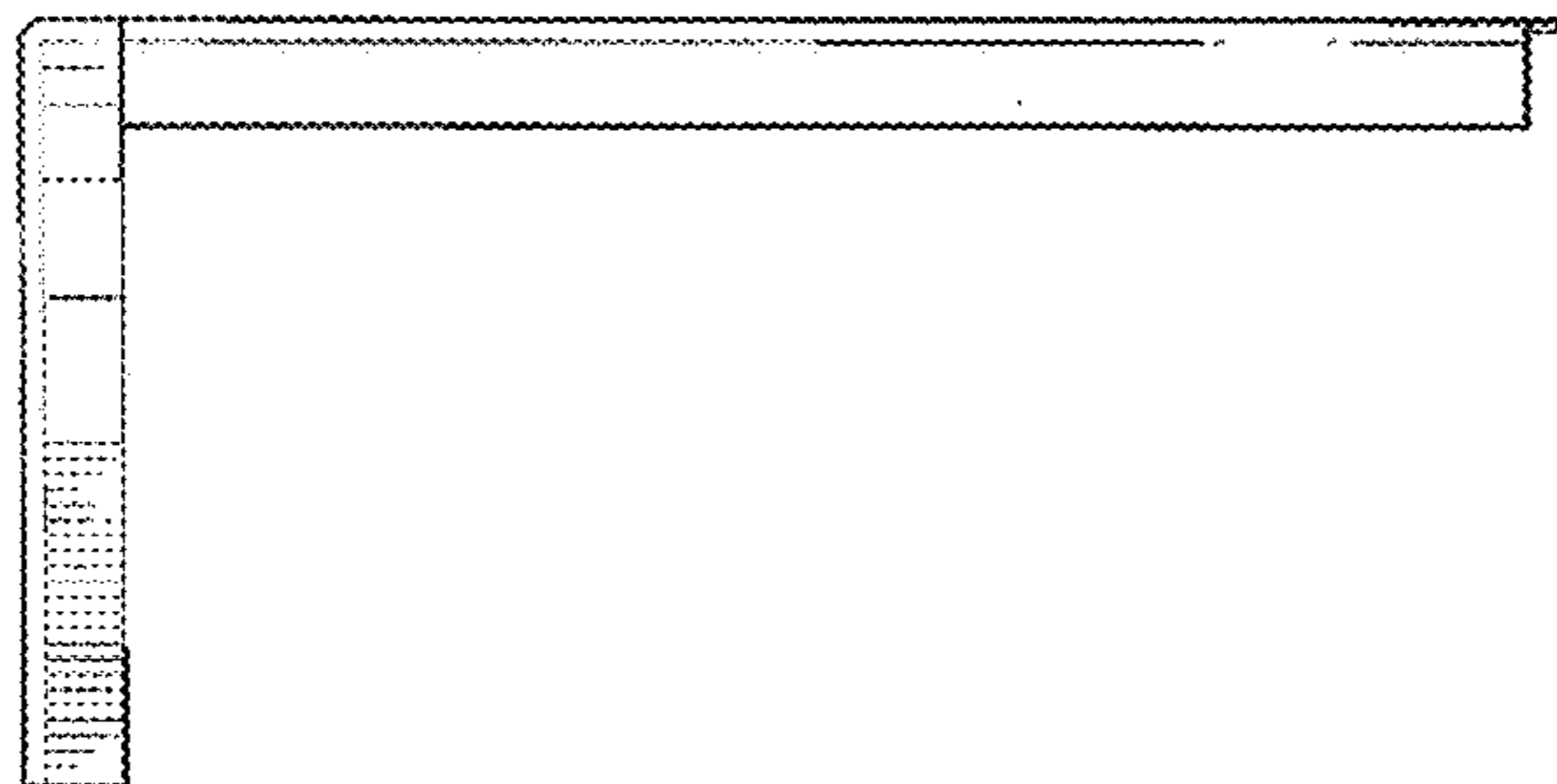


FIG. 8

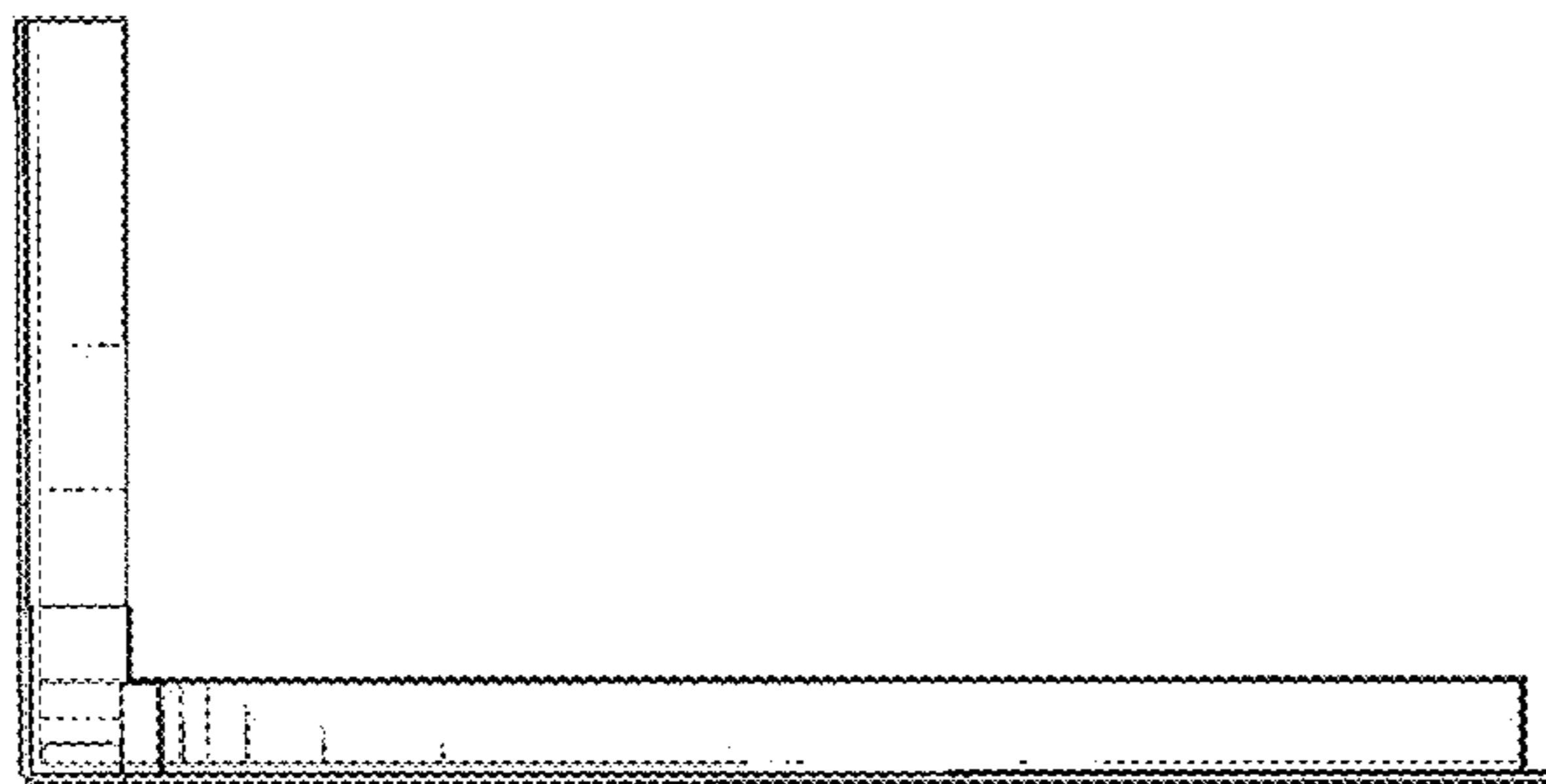


FIG. 7